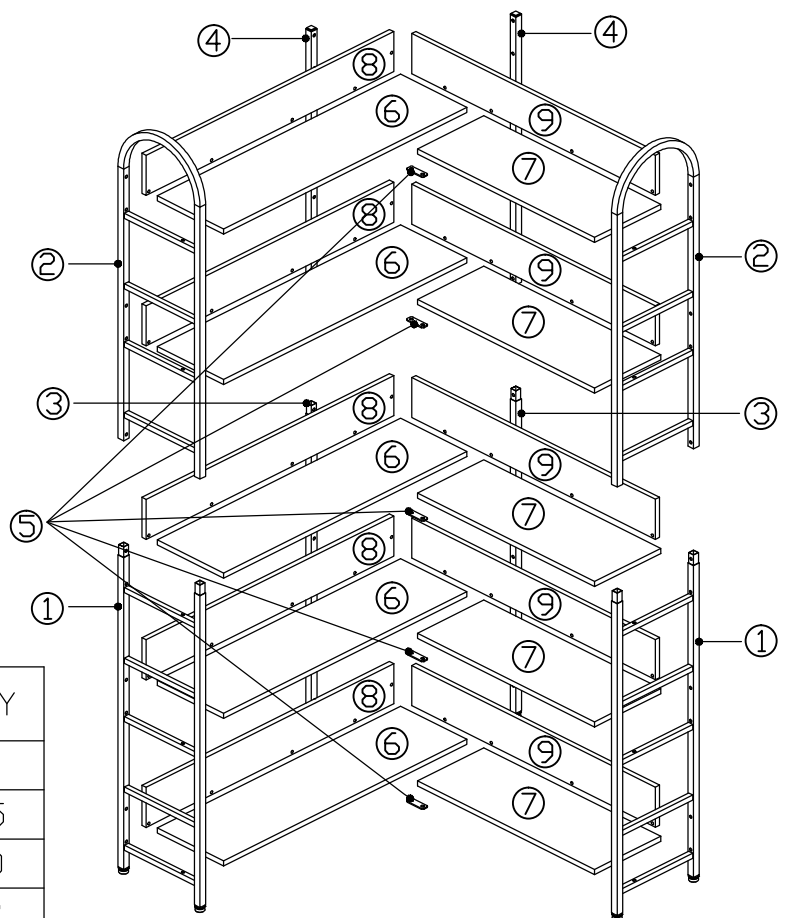
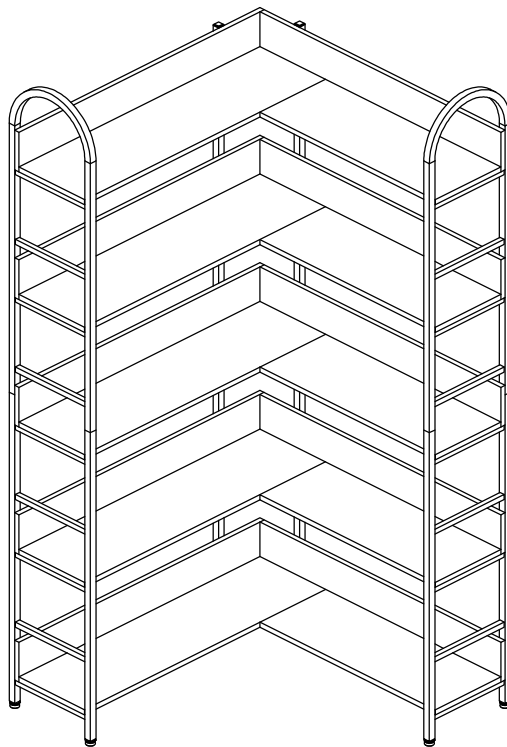





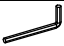

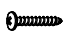
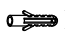


INSTALLATION INSTRUCTION

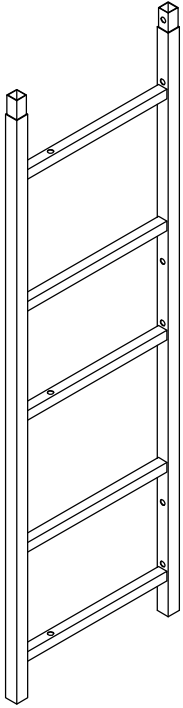


NO.	PICTURE	SIZE	QTY
A		ø25	6
B		ø7X58L	45
C		ø6X30L	20
D		ø6X12L	12
E		ø4.8X25L	10
F			1
G	 X2  X2  X2		1

ASSEMBLY

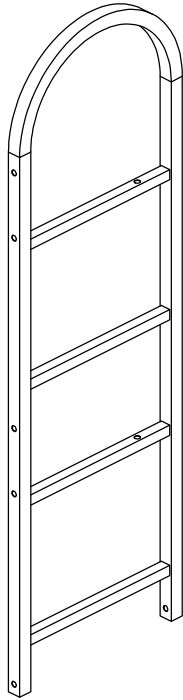
INSTRUCTION

①



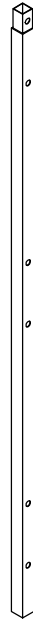
X2

②



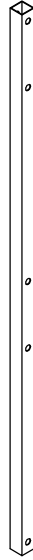
X2

③



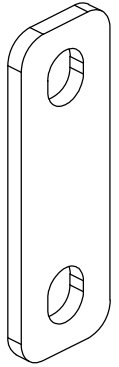
X2

④



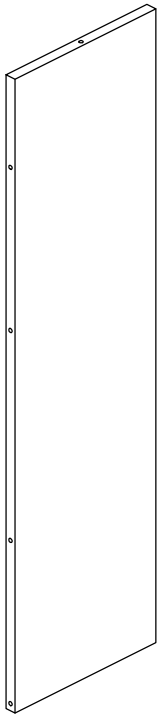
X2

⑤



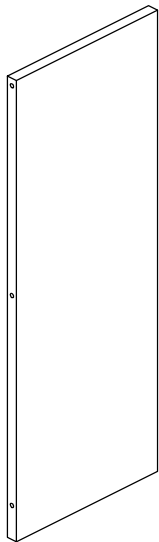
X5

⑥



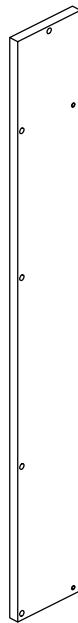
X5

⑦



X5

⑧



X5

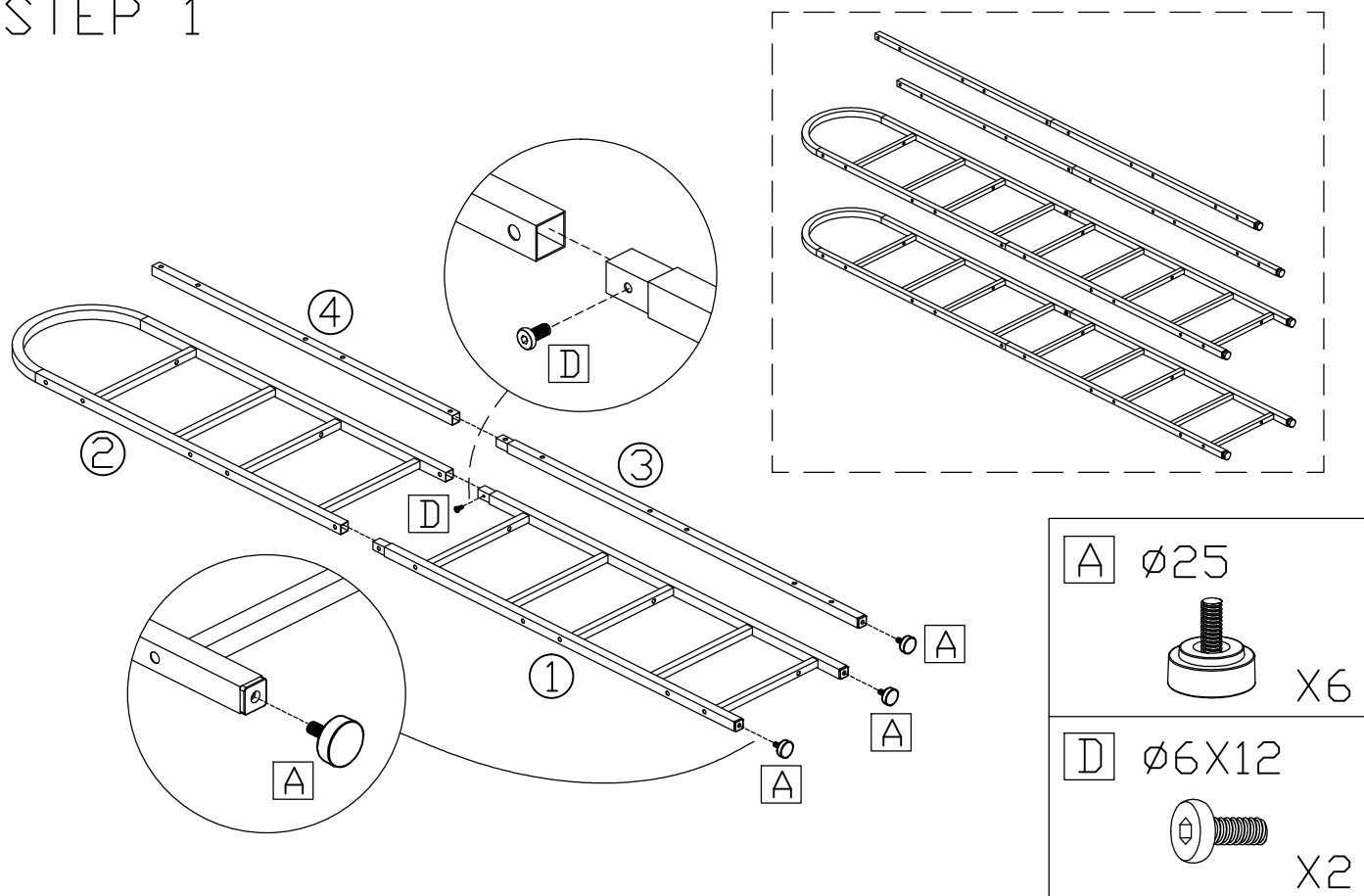
⑨



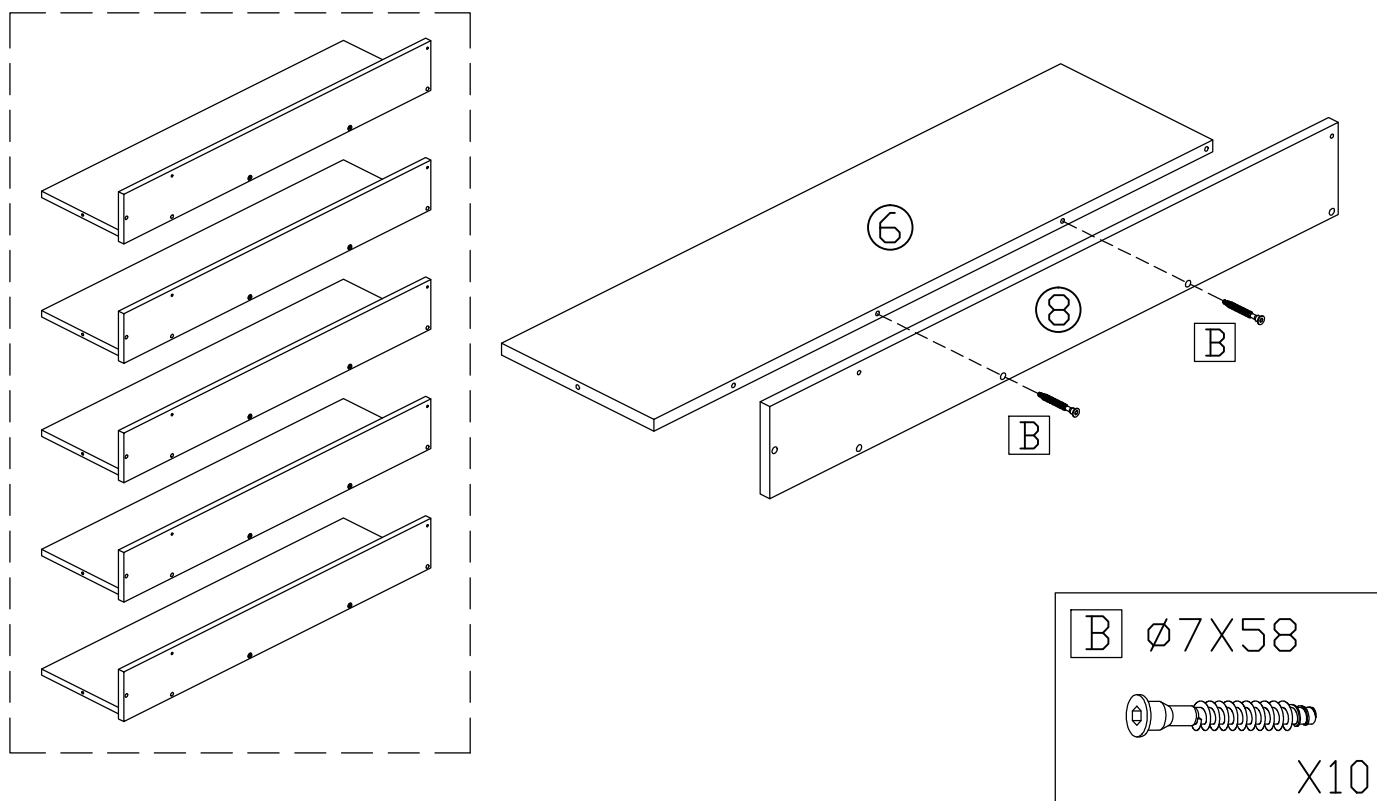
X5

INSTALLATION INSTRUCTION

STEP 1

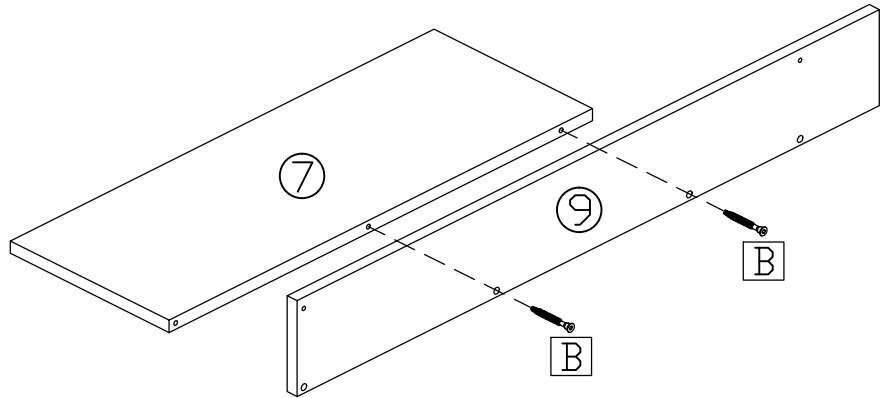
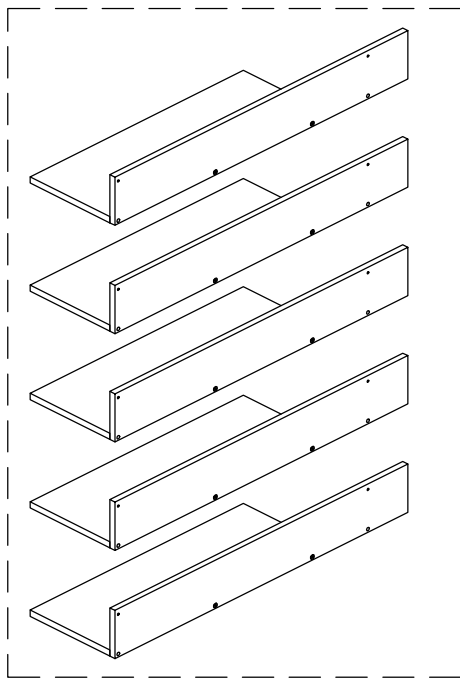


STEP 2



INSTALLATION INSTRUCTION

STEP 3

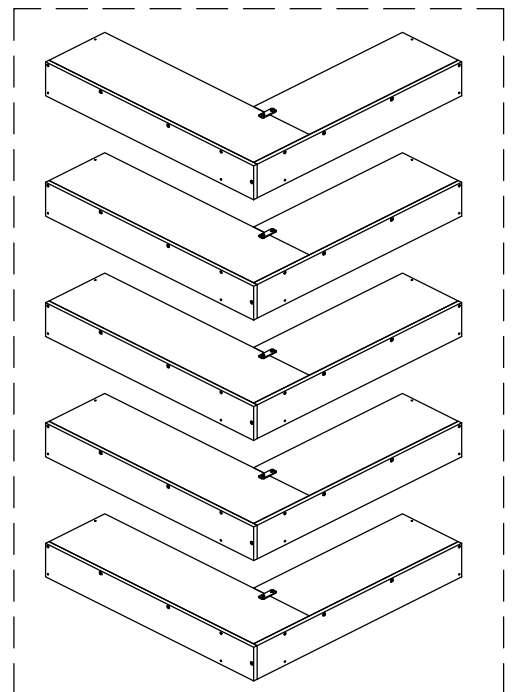
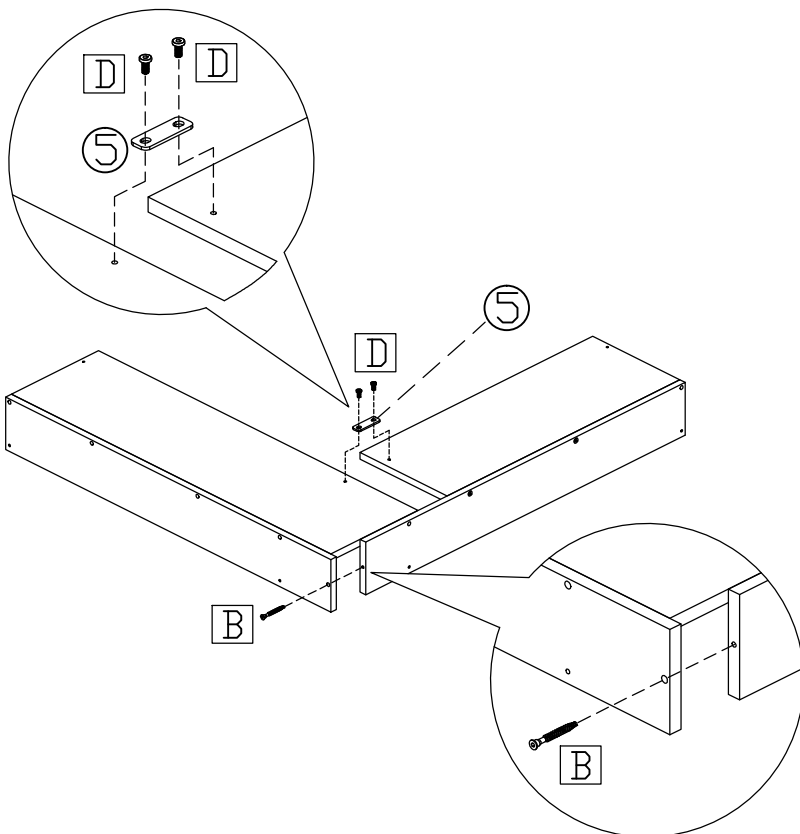


B $\phi 7 \times 58$



X10

STEP 4

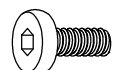


B $\phi 7 \times 58$



X5

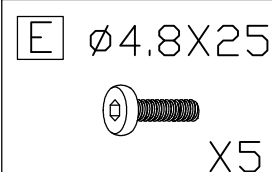
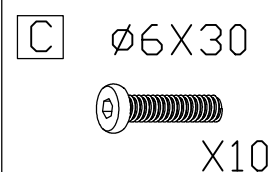
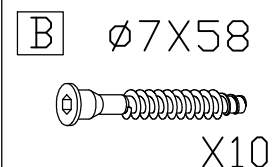
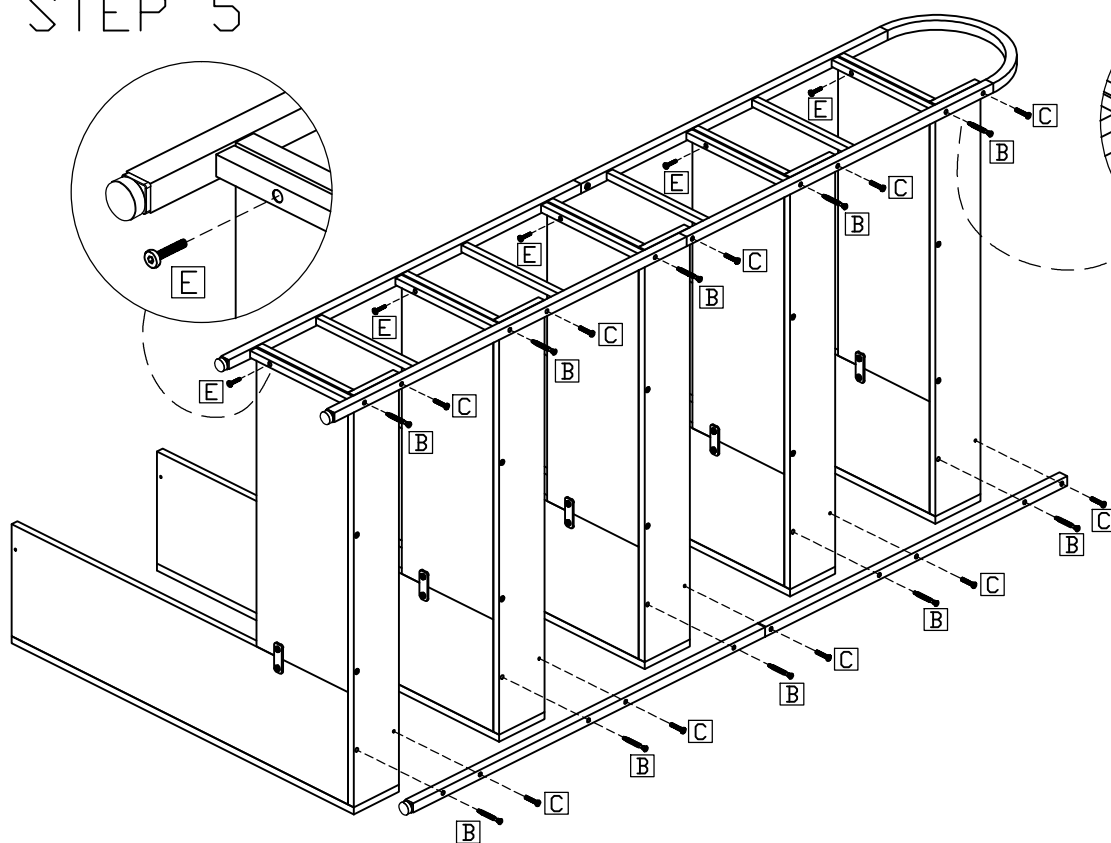
D $\phi 6 \times 12$



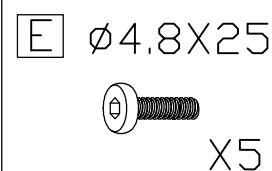
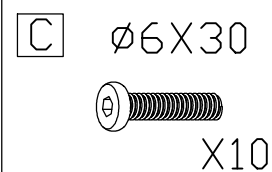
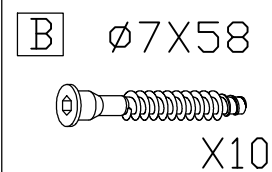
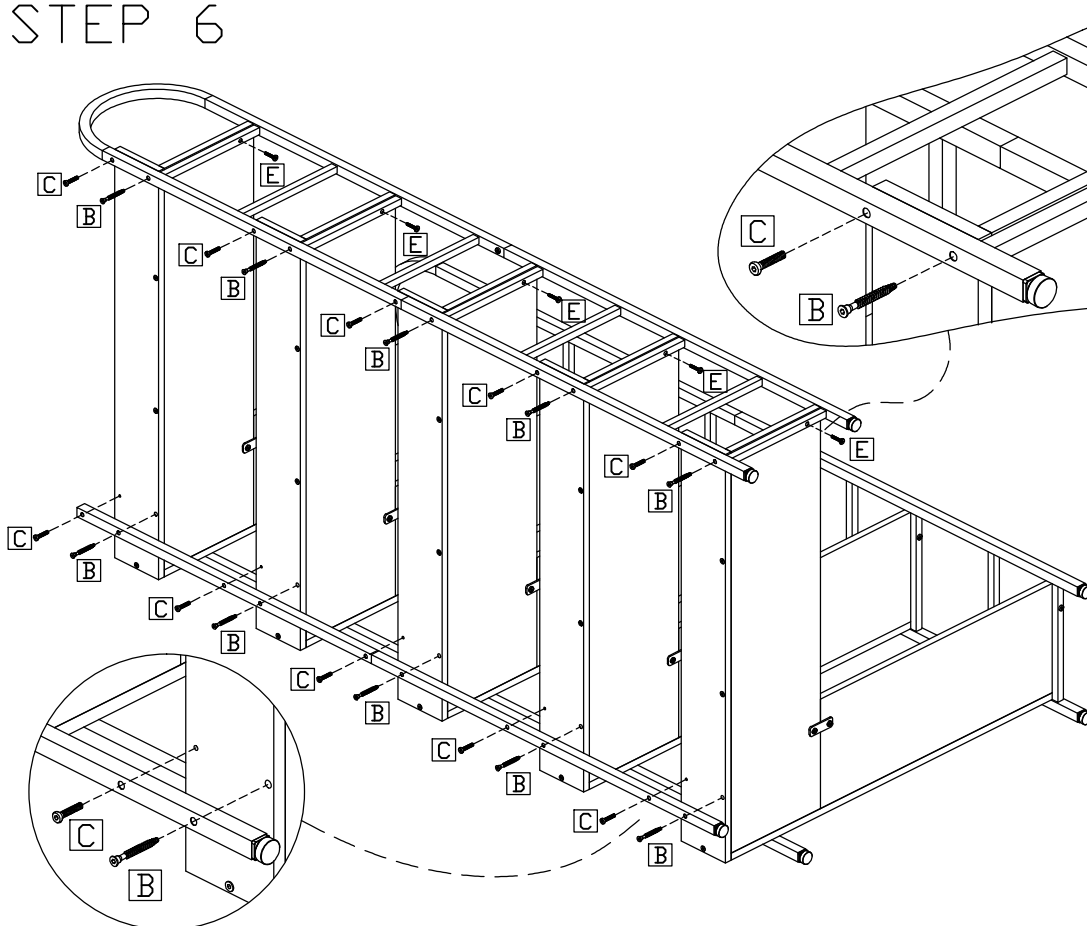
X10

INSTALLATION INSTRUCTION

STEP 5

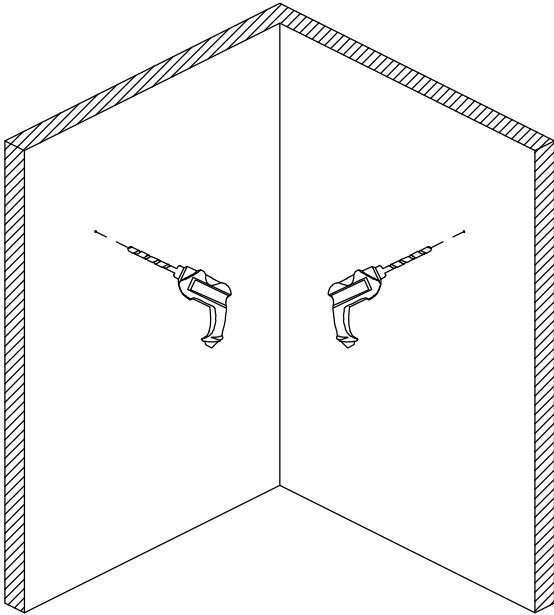


STEP 6

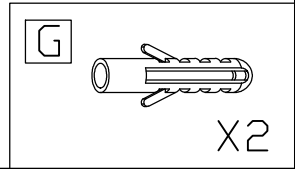
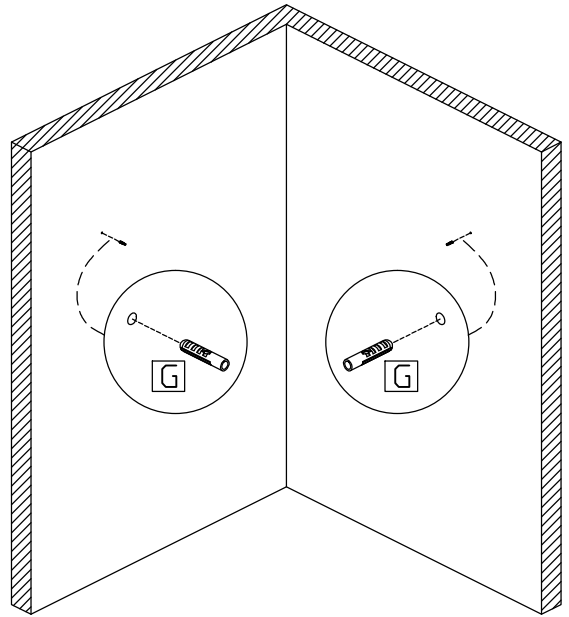


INSTALLATION INSTRUCTION

STEP 7



STEP 8



STEP 9

