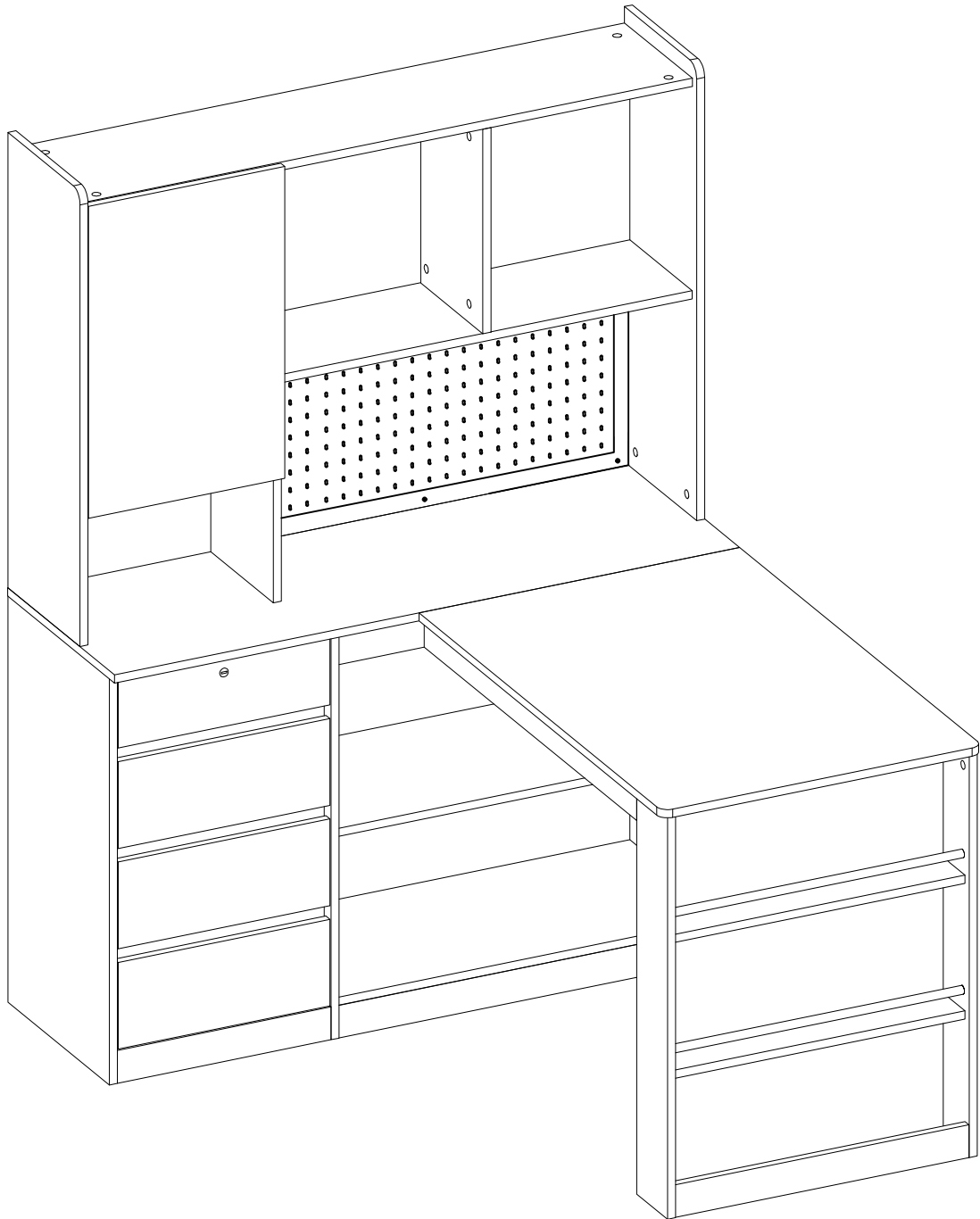
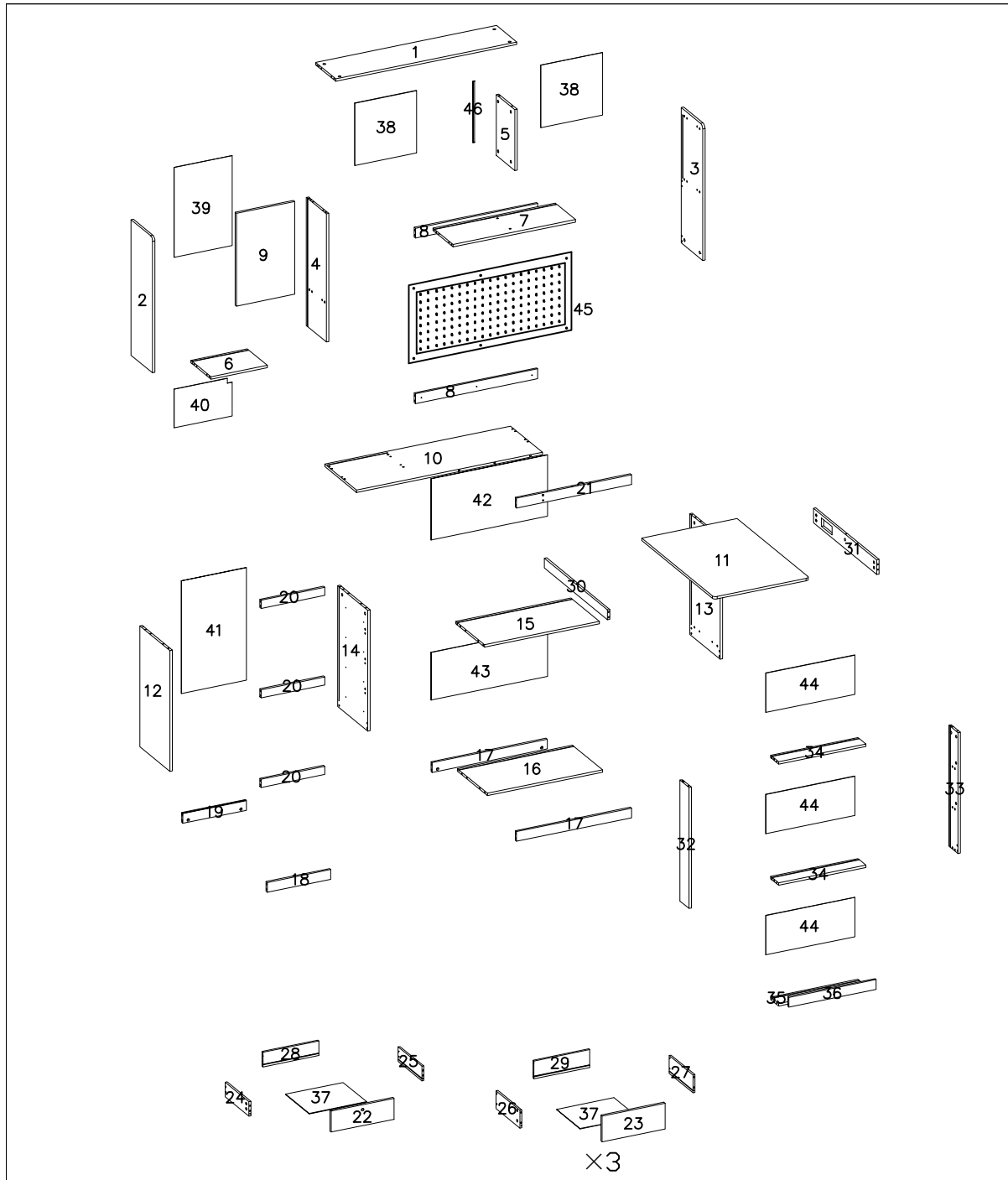


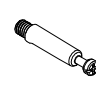



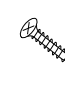
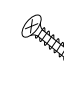


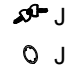







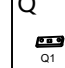

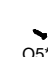

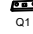
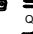
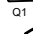
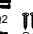
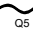

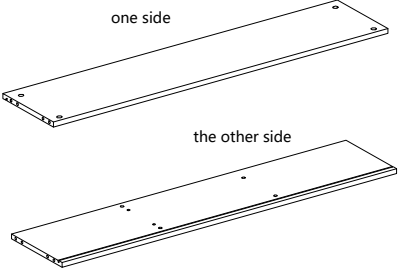
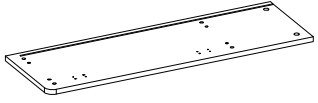
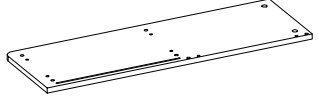
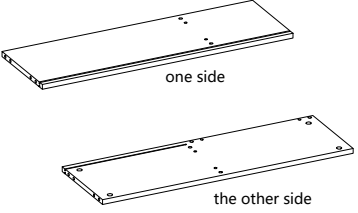
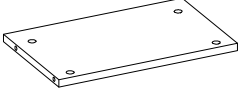
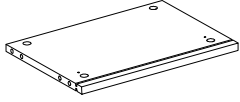
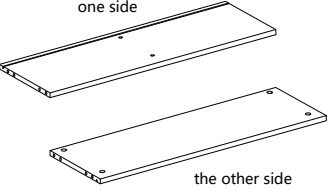
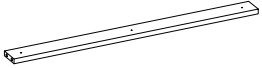
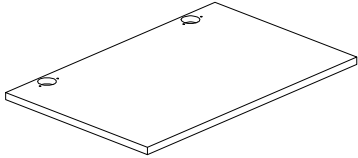
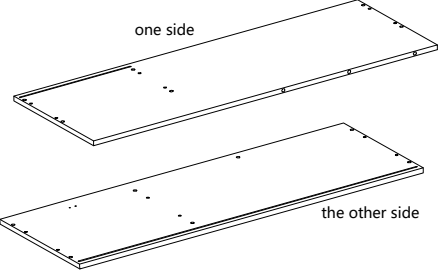
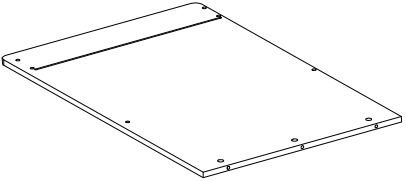
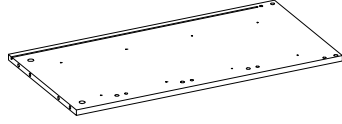


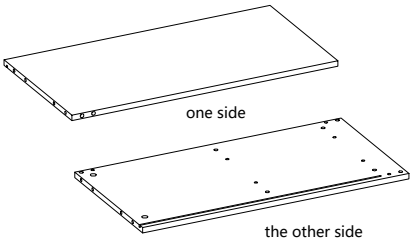
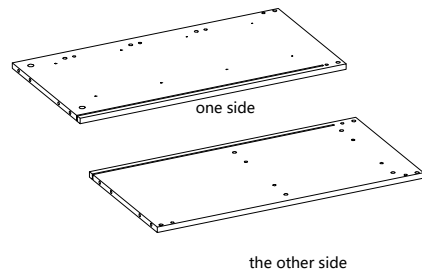
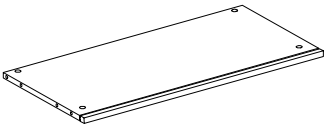
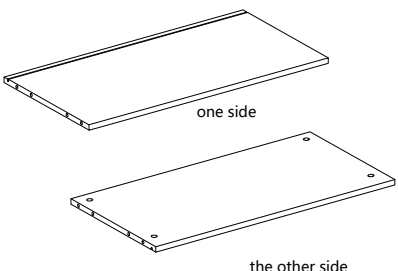
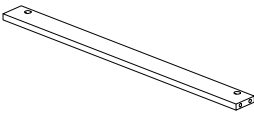
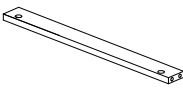
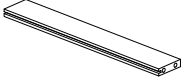

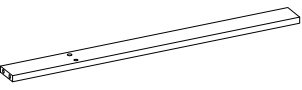
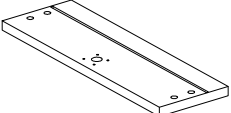
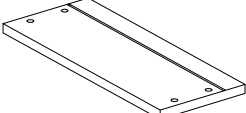
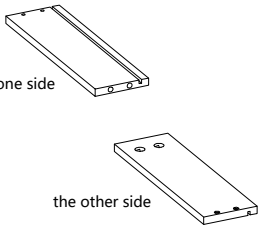
Installation & Assembly

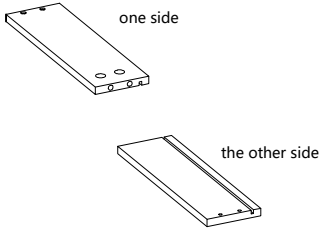
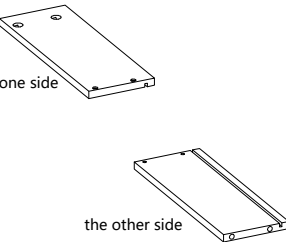
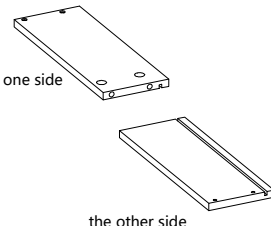
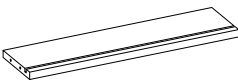
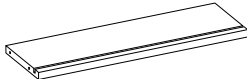
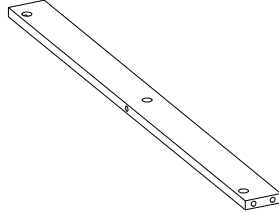
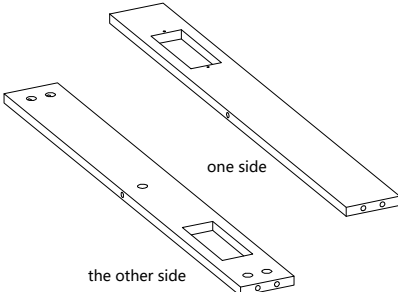
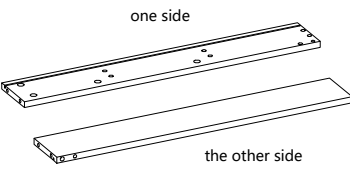
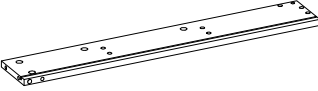
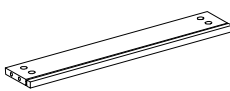
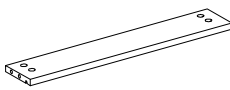
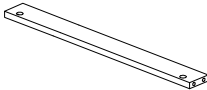


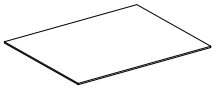
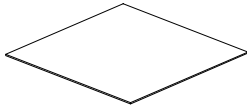
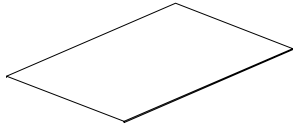
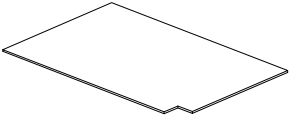
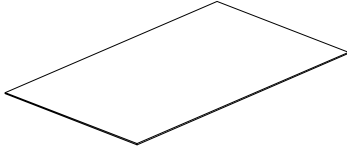
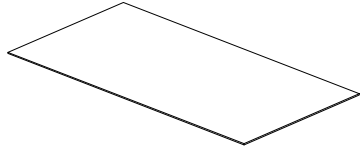
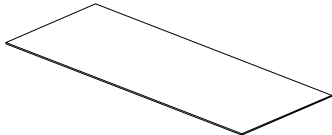
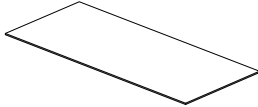
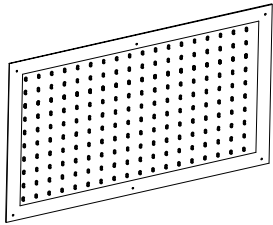



| | | | | | | | | |
|---|---|--|---|---|---|--|--|---|
| A  88PCS | B  88PCS | C  16PCS | D  16PCS | E  ø8*30mm 54PCS | F  M3.5*14mm 86PCS | G  M3.5*14mm 6PCS | H  M3.5*16mm 4PCS | I  M3.5*35mm 16PCS |
| J  J1  J2 O J 1PC | K  1PC | L  CR CL DR DL L=300mm 4PCS | M  M1 M2*2 1PC | N  2PCS | O  O1  O2  O3 O4*2 O5*2 1PC | P  L=570mm 2PCS | Q  Q1  Q2  Q3  Q4  Q5 2PCS | |
| R  12PCS | S  40PCS | T  104PCS | U  ø8*50mm 2PCS | | | | | |

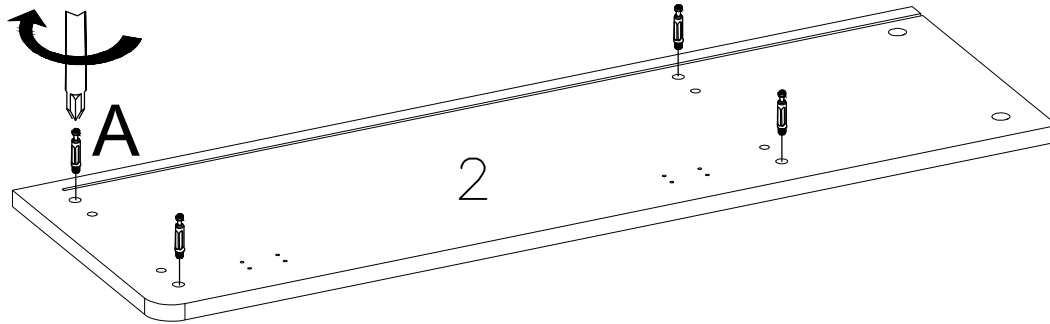
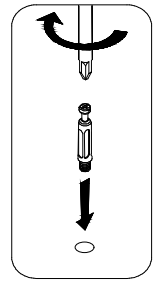
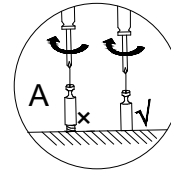
| | | |
|--|---|---|
| <p>1</p>  <p>254*1139*15mm 1PC</p> | <p>2</p>  <p>835*270*15mm 1PC</p> | <p>3</p>  <p>835*270*15mm 1PC</p> |
| <p>4</p>  <p>790*254*15mm 1PC</p> | <p>5</p>  <p>375*233*15mm 1PC</p> | <p>6</p>  <p>253*355*15mm 1PC</p> |
| <p>7</p>  <p>253*769*15mm 1PC</p> | <p>8</p>  <p>769*60*15mm 2PCS</p> | <p>9</p>  <p>572*367*15mm 1PC</p> |
| <p>10</p>  <p>400*1170*15mm 1PC</p> | <p>11</p>  <p>910*600*15mm 1PC</p> | <p>12</p>  <p>745*380*15mm 1PC</p> |


| | | |
|---|--|--|
| <p>13</p>  <p>745*380*15mm 1PC</p> | <p>14</p>  <p>745*380*15mm 1PC</p> | <p>15</p>  <p>360*724*15mm 1PC</p> |
| <p>16</p>  <p>379*724*15mm 1PC</p> | <p>17</p>  <p>724*60*15mm 2PCS</p> | <p>18</p>  <p>400*60*15mm 1PC</p> |
| <p>19</p>  <p>400*60*15mm 1PC</p> | <p>20</p>  <p>400*50*15mm 3PCS</p> | <p>21</p>  <p>724*60*15mm 1PC</p> |
| <p>22</p>  <p>129*396*15mm 1PC</p> | <p>23</p>  <p>159*396*15mm 3PCS</p> | <p>24</p>  <p>90*300*12mm 1PC</p> |

| | | |
|--|---|--|
| <p>25</p>  <p>one side</p> <p>the other side</p> <p>90*300*12mm 1PC</p> | <p>26</p>  <p>one side</p> <p>the other side</p> <p>110*300*12mm 3PCS</p> | <p>27</p>  <p>one side</p> <p>the other side</p> <p>110*300*12mm 3PCS</p> |
| <p>28</p>  <p>90*351*12mm 1PC</p> | <p>29</p>  <p>110*351*12mm 3PCS</p> | <p>30</p>  <p>795*60*15mm 1PC</p> |
| <p>31</p>  <p>one side</p> <p>the other side</p> <p>90*795*15mm 1PC</p> | <p>32</p>  <p>one side</p> <p>the other side</p> <p>745*115*15mm 1PC</p> | <p>33</p>  <p>745*115*15mm 1PC</p> |
| <p>34</p>  <p>99.5*549.5*15mm 2PCS</p> | <p>35</p>  <p>99.5*549.5*15mm 1PC</p> | <p>36</p>  <p>549.5*60*15mm 1PC</p> |

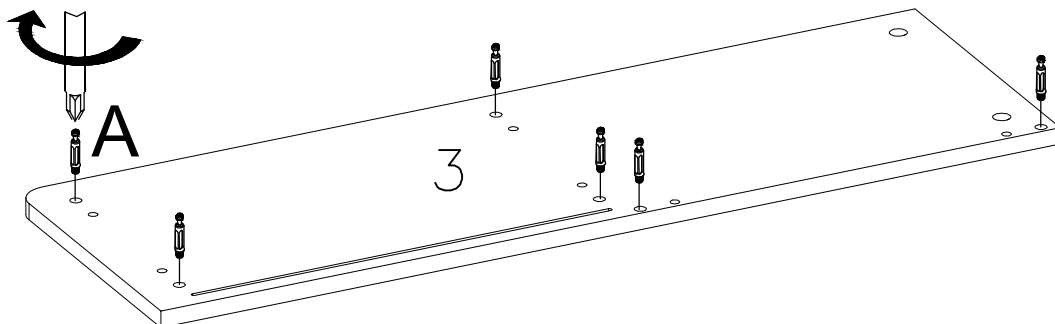
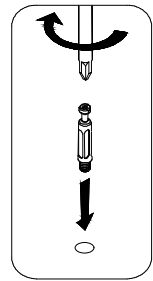
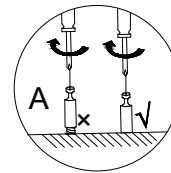
| | | |
|---|--|---|
| <p>37</p>  <p>361*297*3mm 4PCS</p> | <p>38</p>  <p>388*385*3mm 2PCS</p> | <p>39</p>  <p>554*364*3mm 1PC</p> |
| <p>40</p>  <p>239*364*3mm 1PC</p> | <p>41</p>  <p>693*410*3mm 1PC</p> | <p>42</p>  <p>378*733*3mm 1PC</p> |
| <p>43</p>  <p>294*733*3mm 1PC</p> | <p>44</p>  <p>559.5*242*3mm 3PCS</p> | <p>45</p>  <p>766*396*3mm 1PC</p> |
| <p>46</p>  <p>L=373mm 1PC</p> | | |


STEP 1



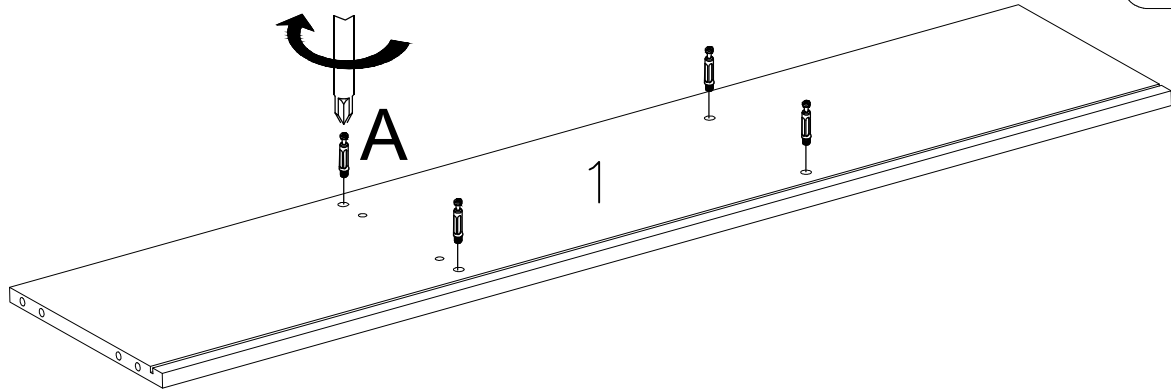
 A × 4PCS


STEP 2



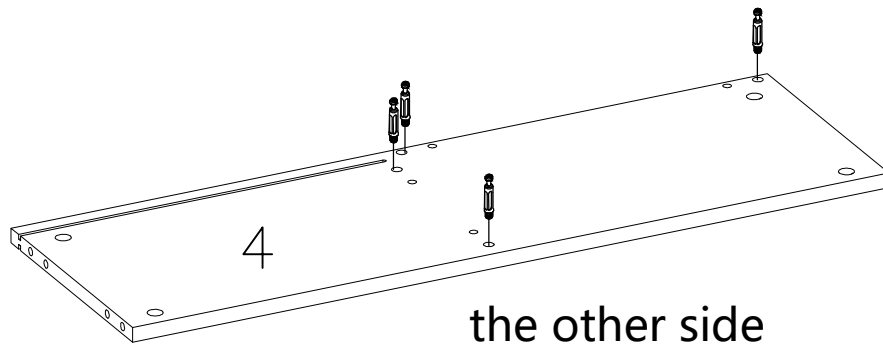
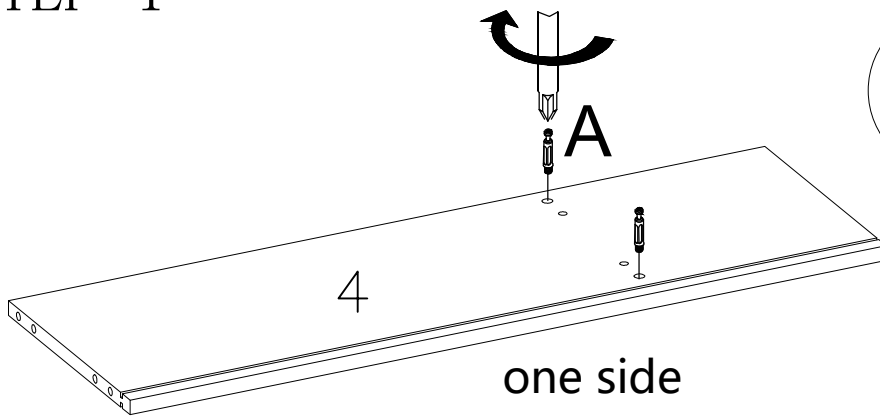
 A × 6PCS


STEP 3



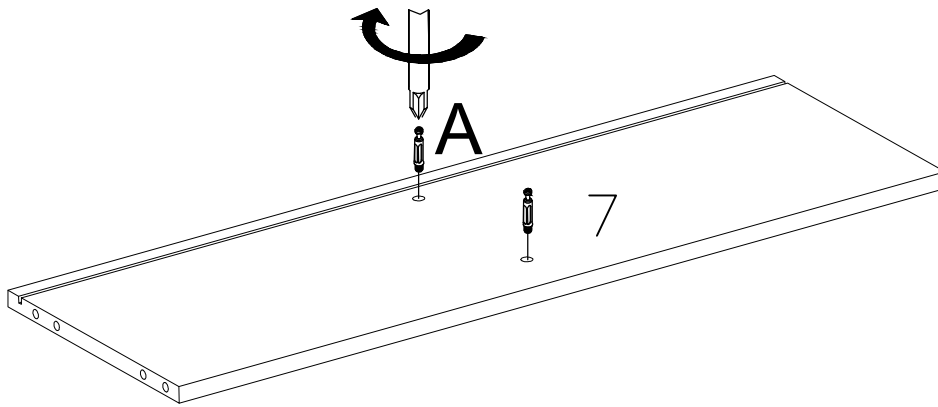
 A × 4PCS


STEP 4



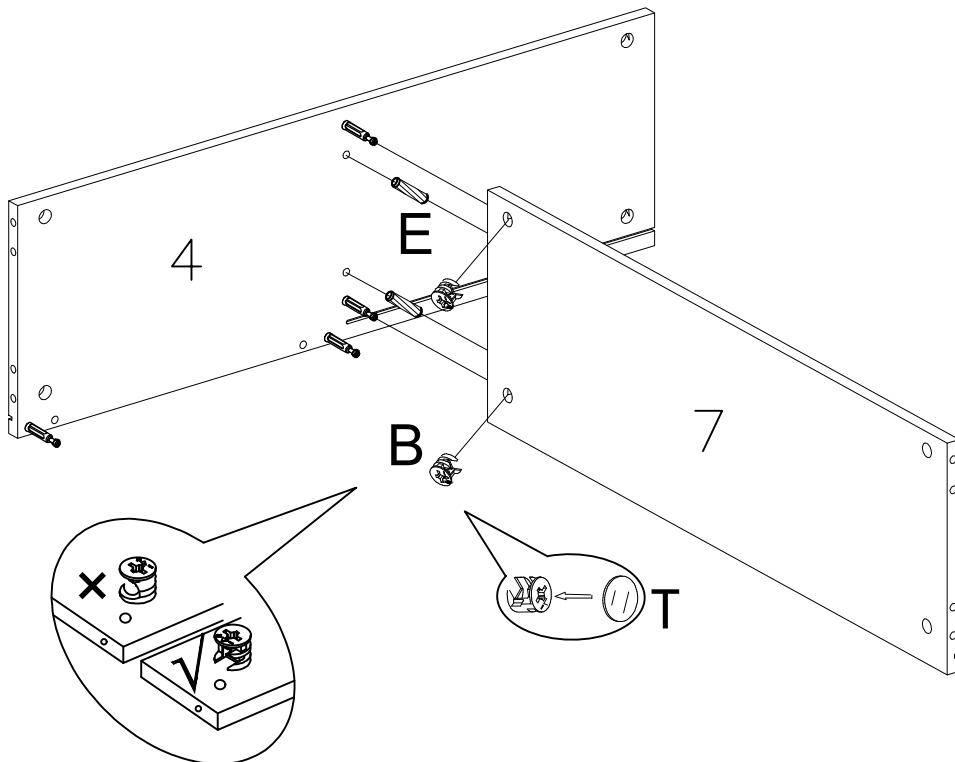
 A × 6PCS




STEP 5



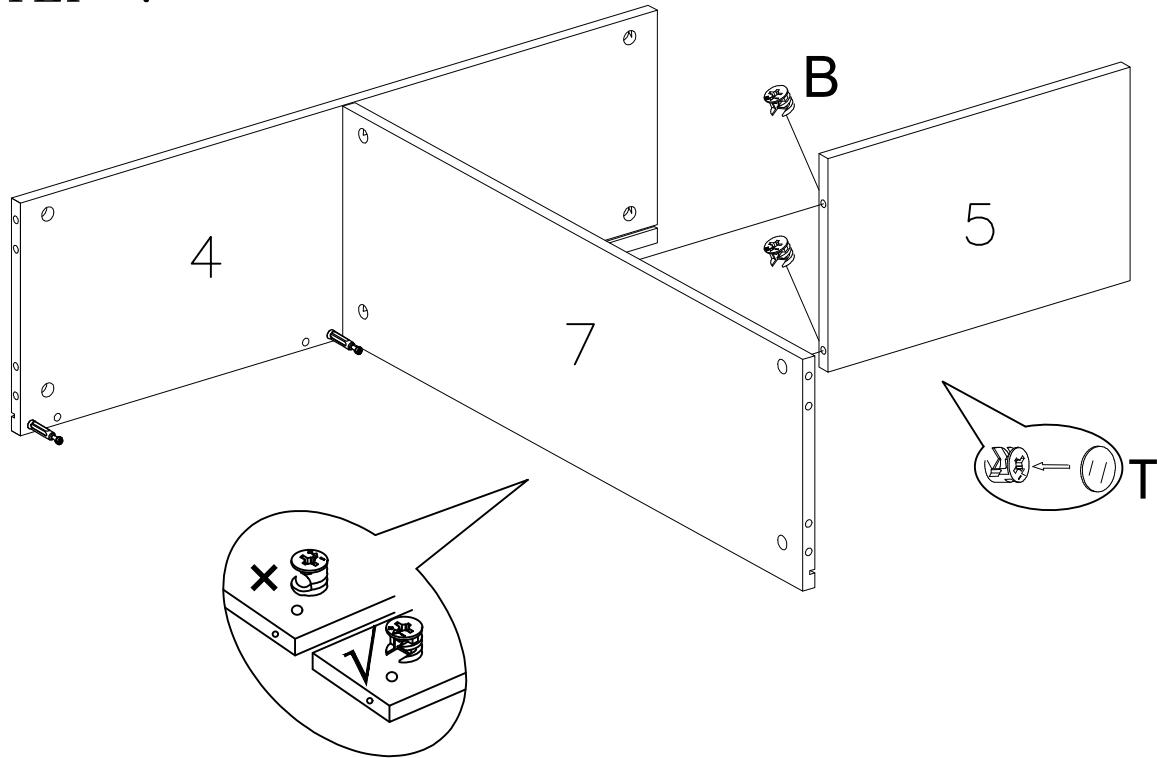
| | |
|---|----------|
|  | A × 2PCS |
|---|----------|



STEP 6



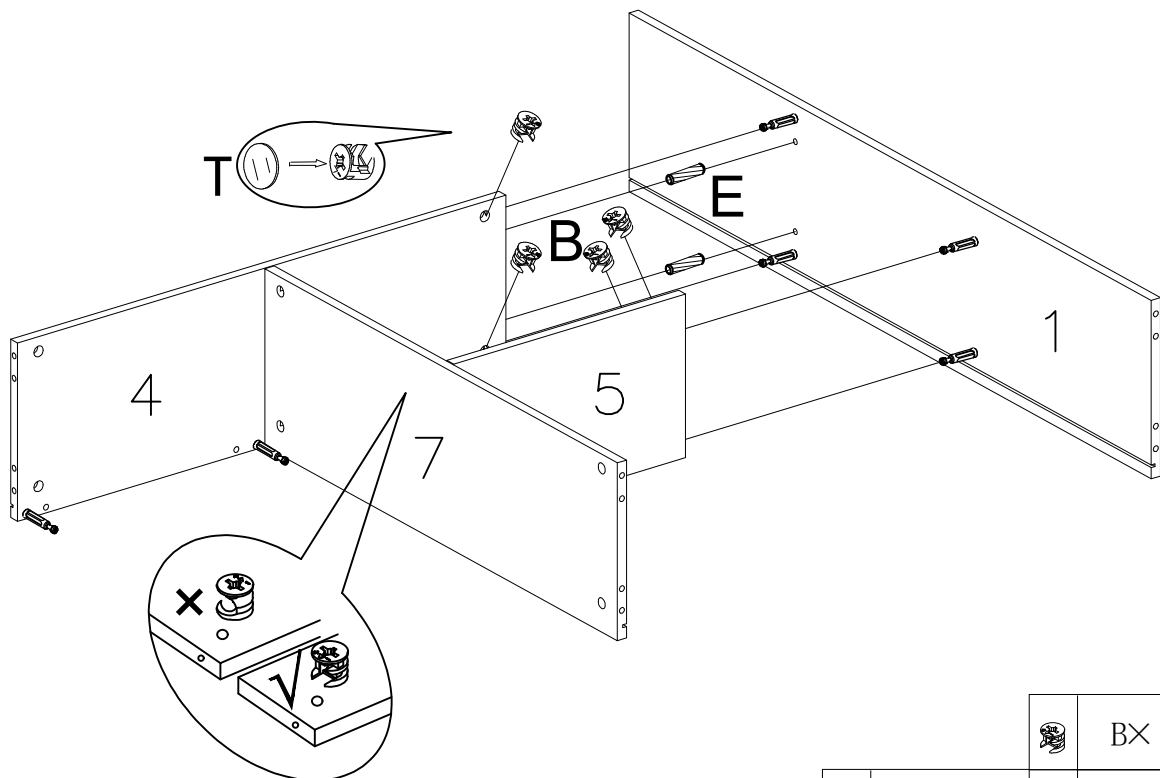
| | | | |
|---|----------|---|----------|
|  | E × 2PCS |  | B × 2PCS |
| | |  | T × 2PCS |




STEP 7



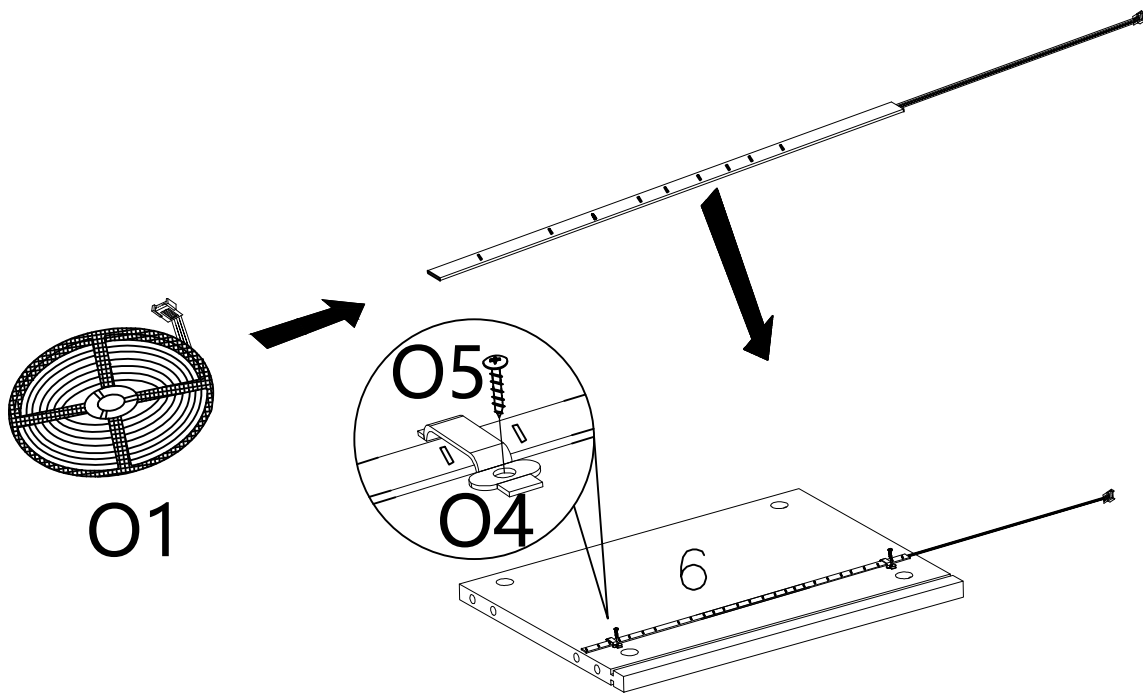
| | |
|---|----------|
|  | B × 2PCS |
|  | T × 2PCS |




STEP 8



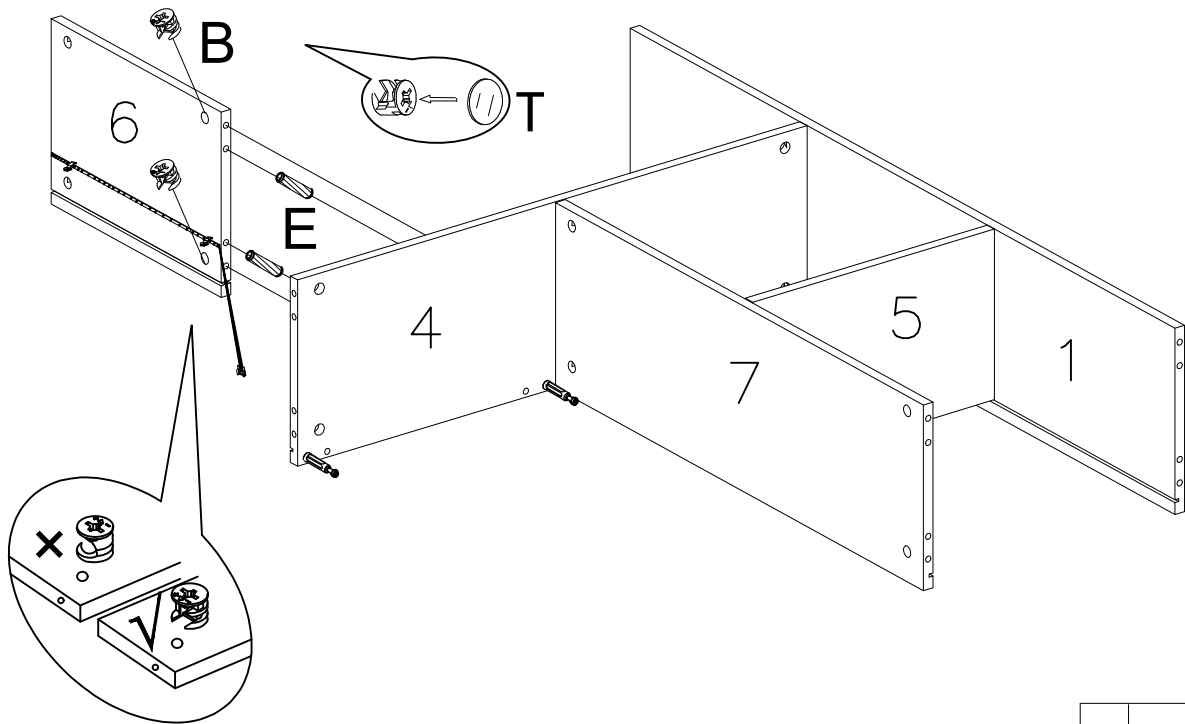
| | | | |
|---|----------|---|----------|
|  | E × 2PCS |  | B × 4PCS |
|  | T × 4PCS | | |




STEP 9



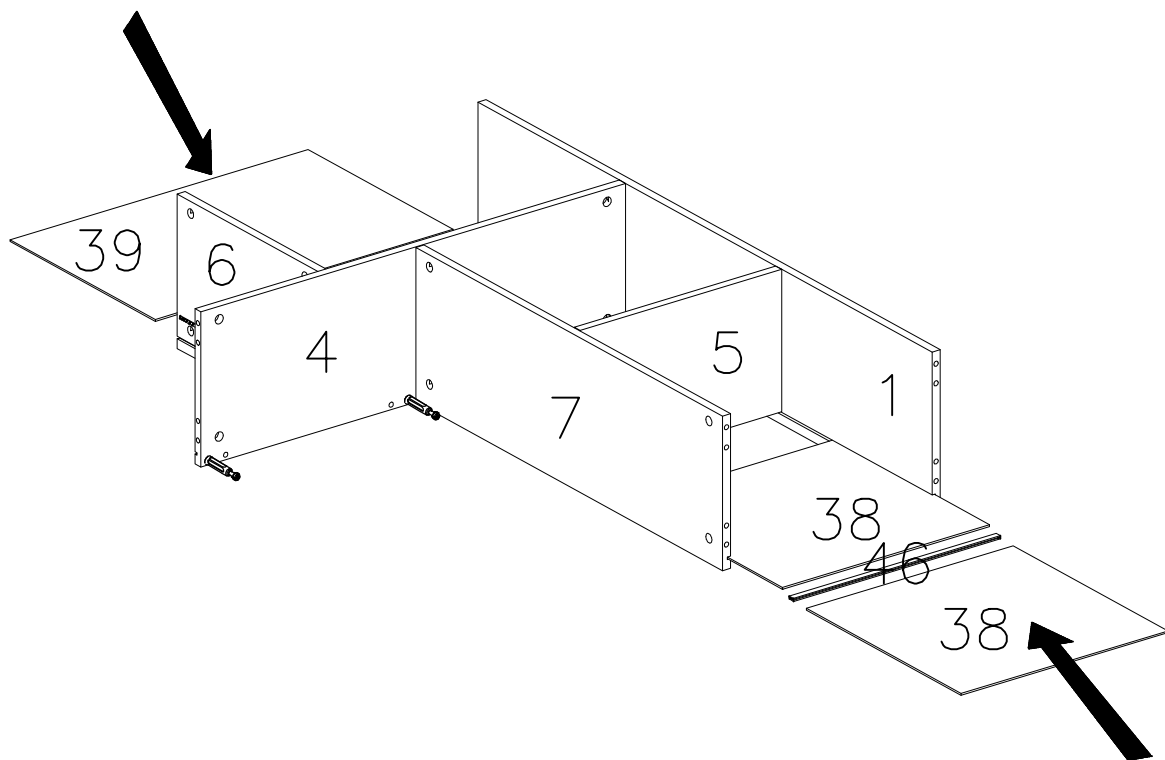
| | | |
|---|---|---|
| |  | 01 × 1PC |
|  | 05 × 2PCS |  04 × 2PCS |

STEP 10

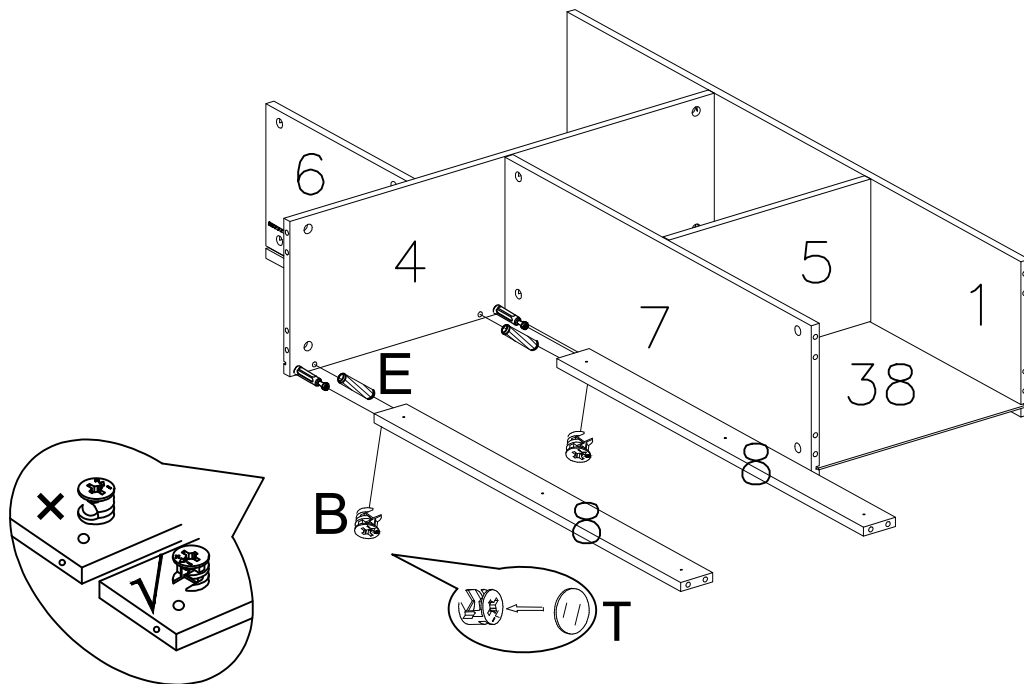


| | |
|---|----------|
|  | B × 2PCS |
|  | E × 2PCS |
|  | T × 2PCS |

STEP 11

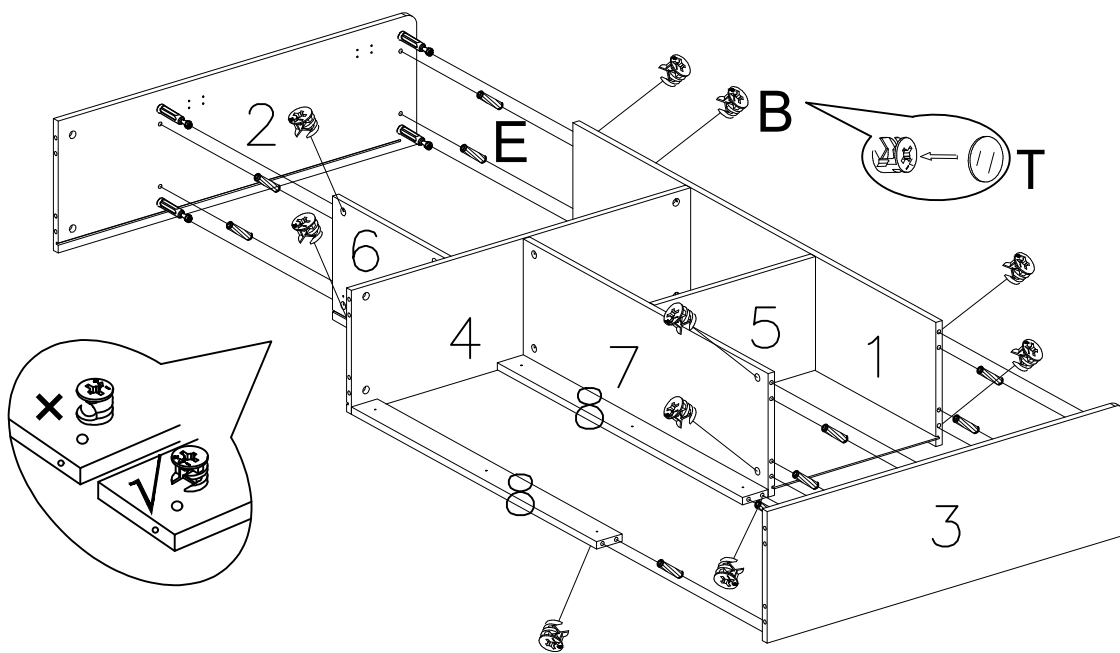


STEP 12



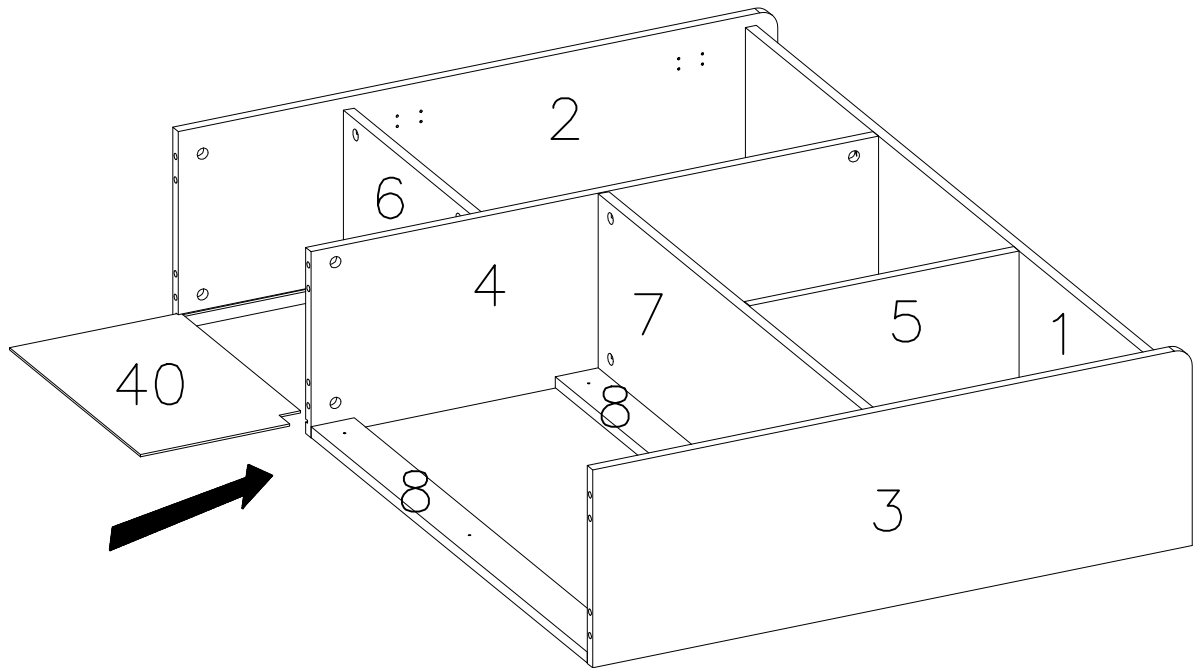
| | | |
|--|----------|----------|
| | | B × 2PCS |
| | E × 2PCS | |
| | | T × 2PCS |

STEP 13

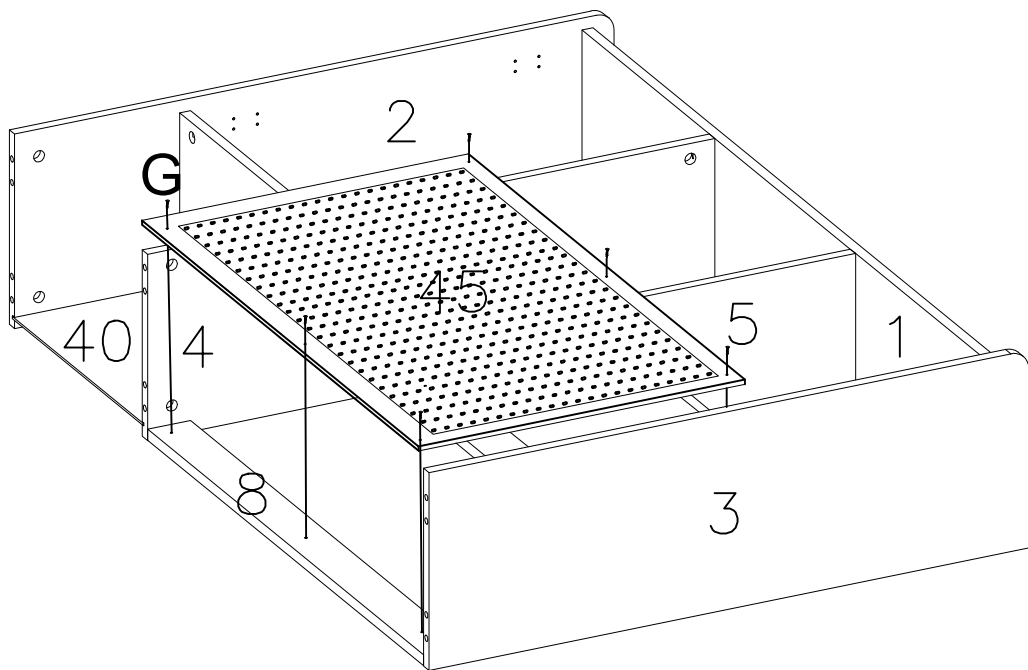


| | | |
|--|-----------|-----------|
| | | B × 10PCS |
| | E × 10PCS | |
| | | T × 10PCS |

STEP 14

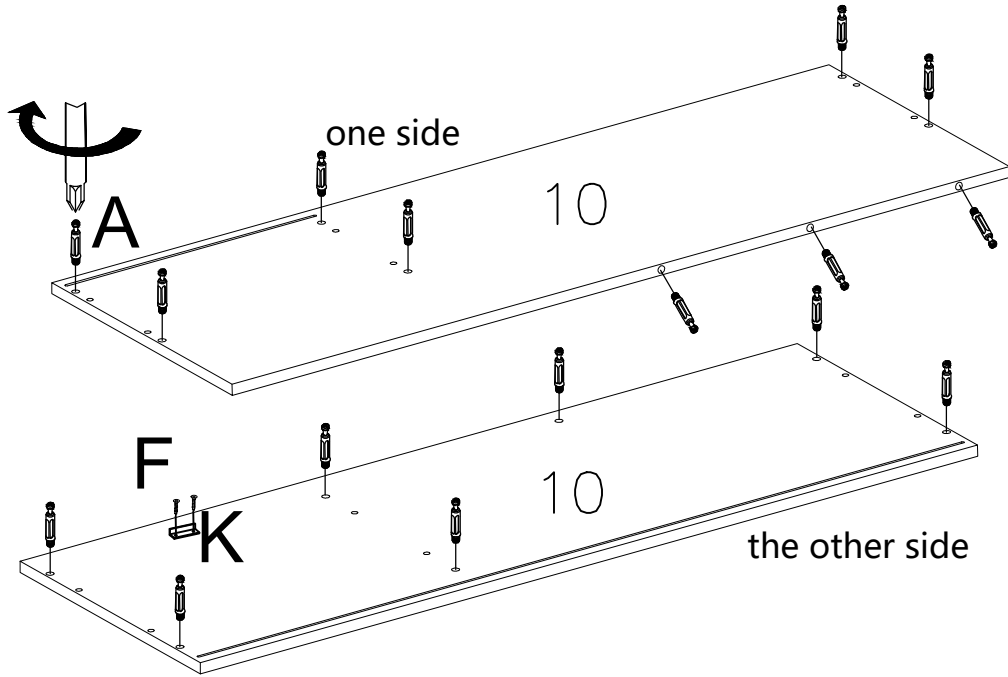





STEP 15



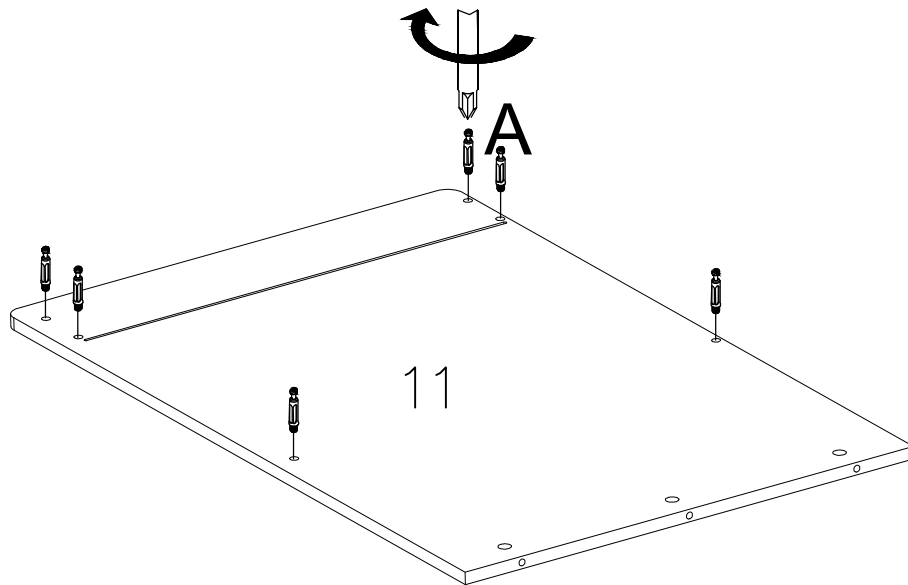
 G× 6PCS

STEP 16



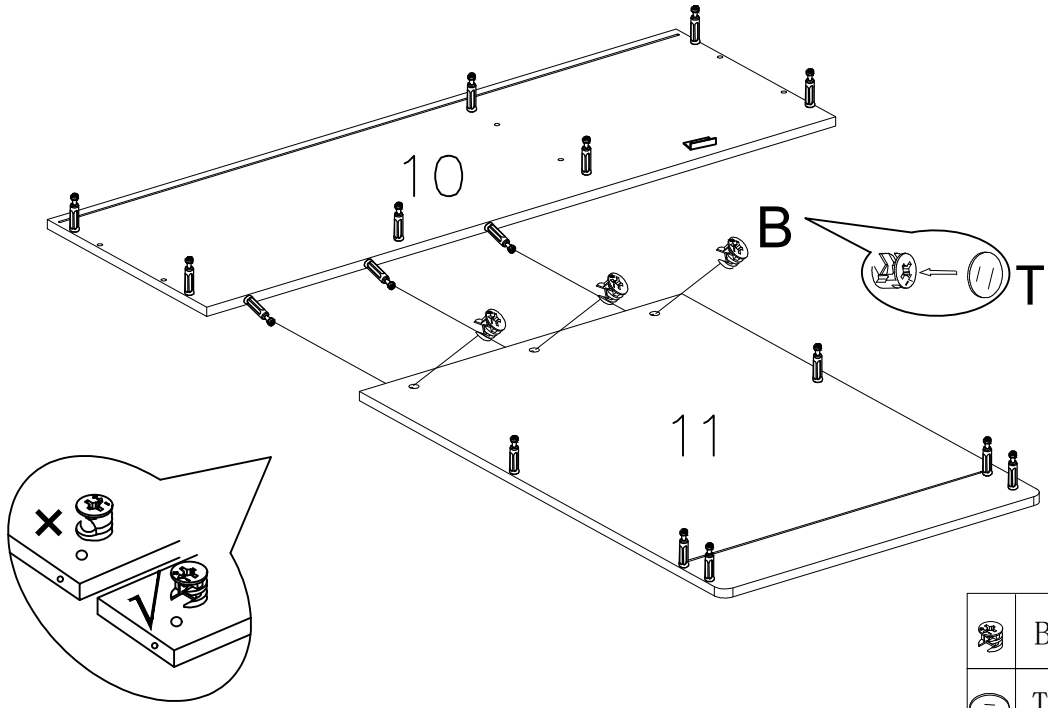
| | |
|---|---------|
|  | A×16PCS |
|  | F× 2PCS |
|  | K× 1 PC |

STEP 17

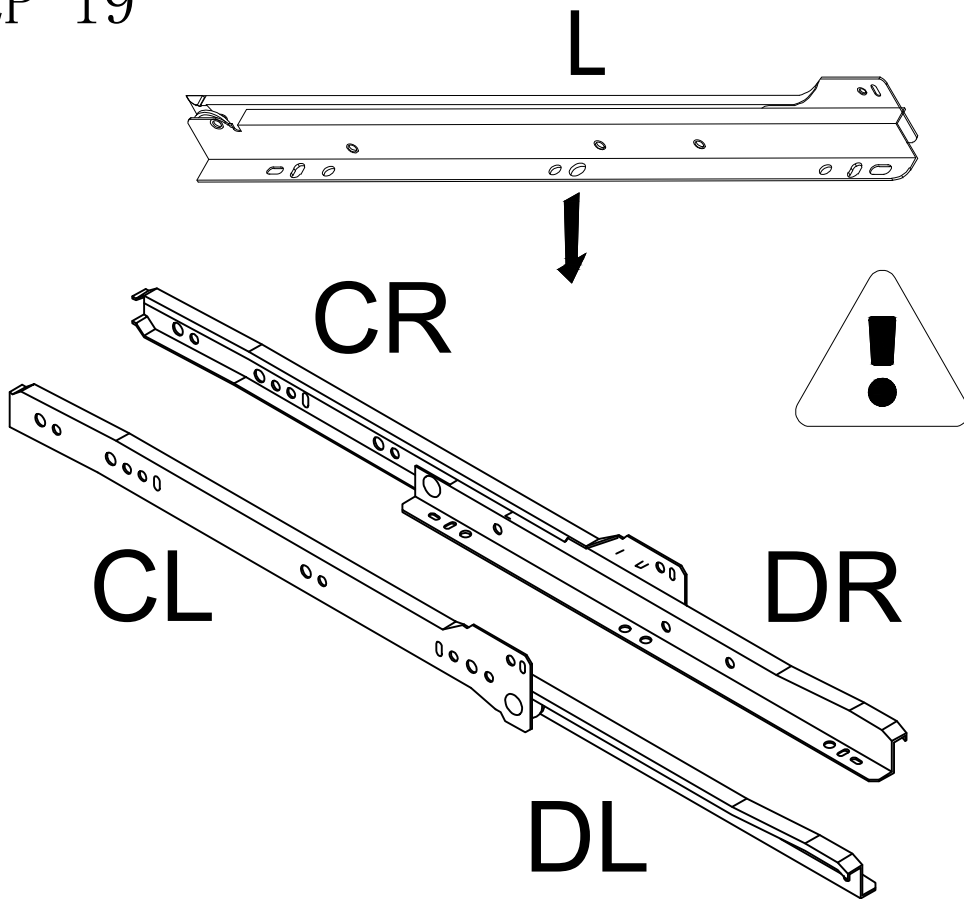


| | |
|---|--------|
|  | A×6PCS |
|---|--------|

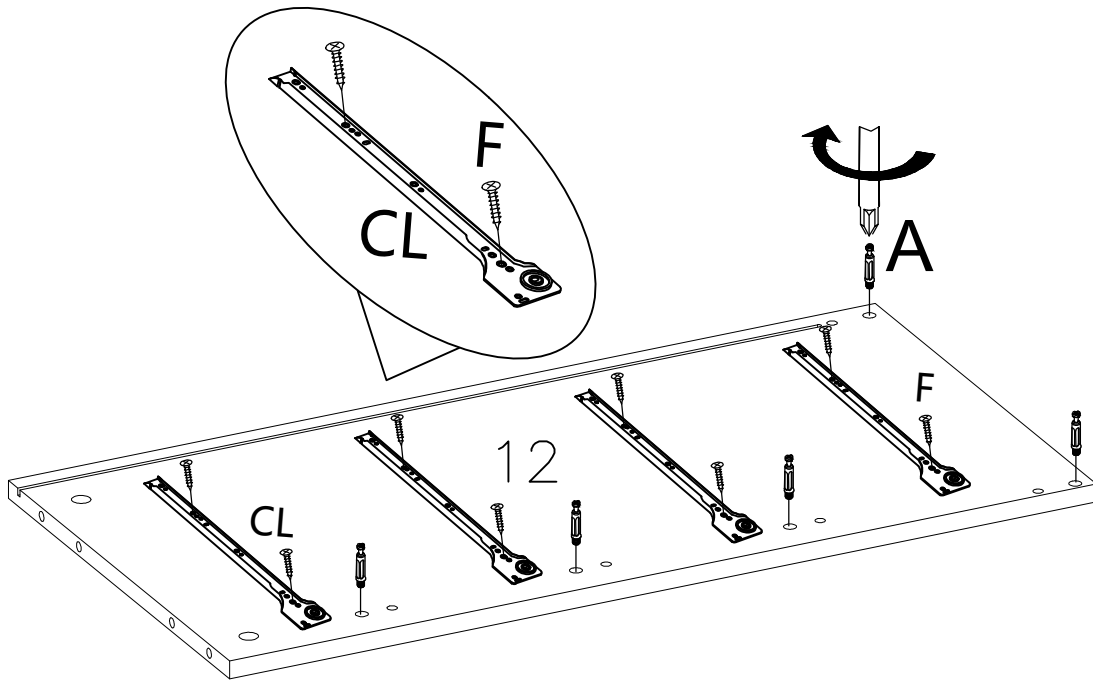
STEP 18






STEP 19

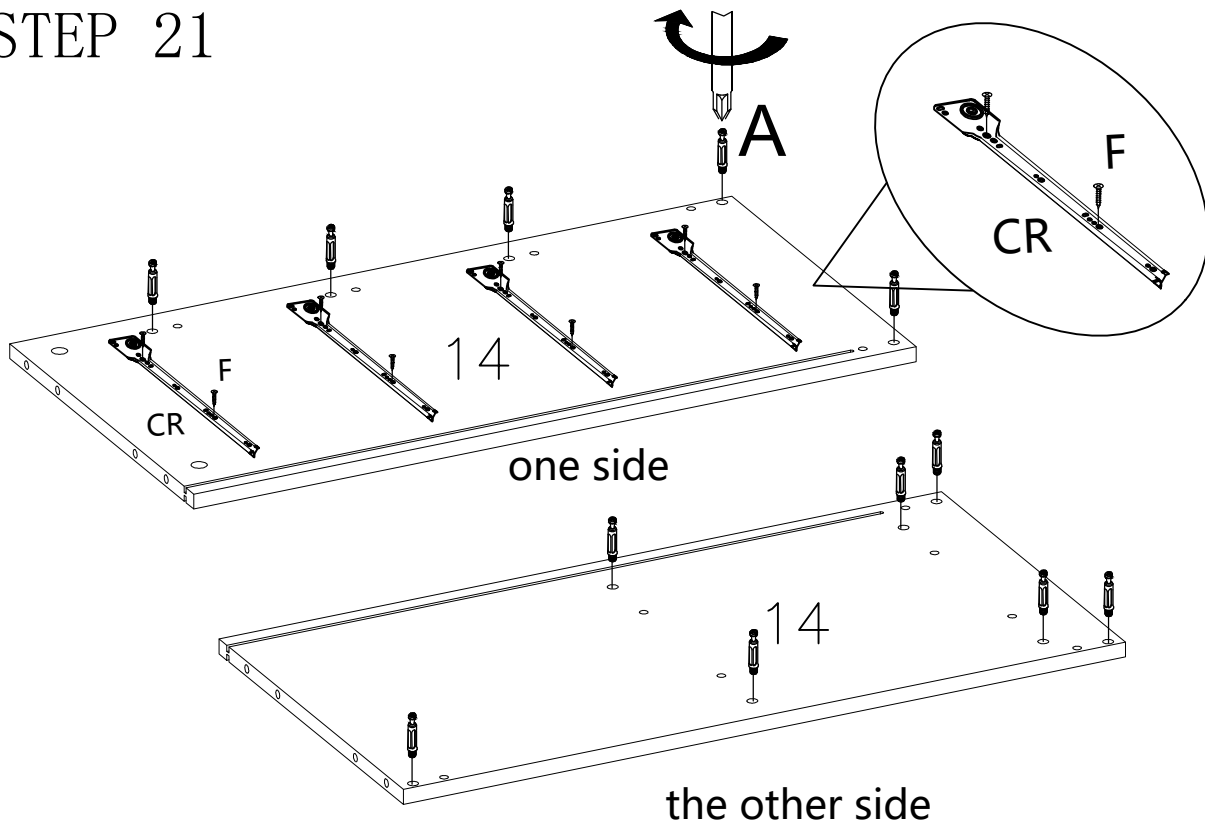





STEP 20



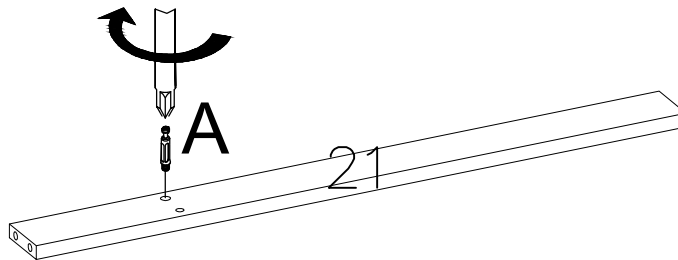
| | |
|---|-----------|
|  | A × 5PCS |
|  | F × 8PCS |
|  | CL × 4PCS |


STEP 21



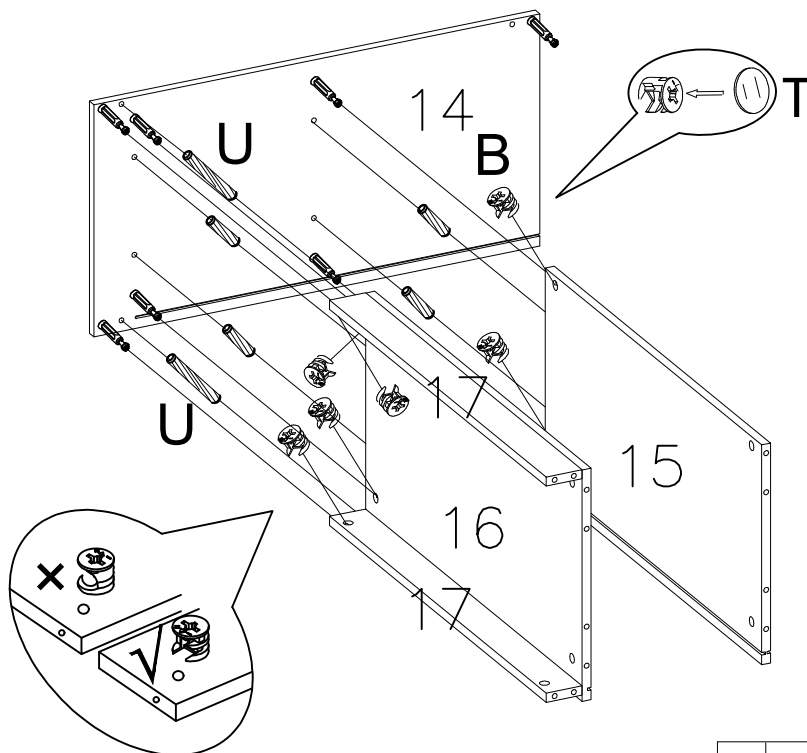
| | |
|---|-----------|
|  | A × 12PCS |
|  | F × 8PCS |
|  | CR × 4PCS |

STEP 22







 A × 1PC

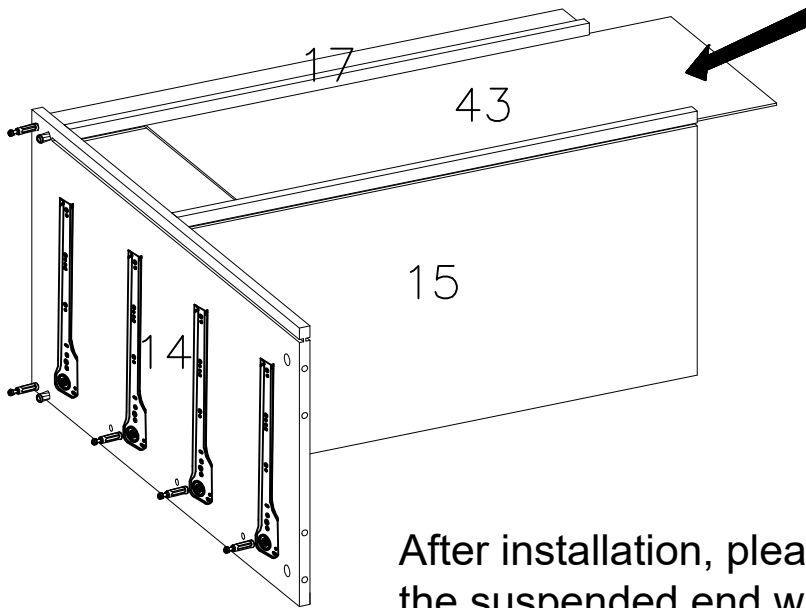
STEP 23



After installation, please hold the suspended end with your hands

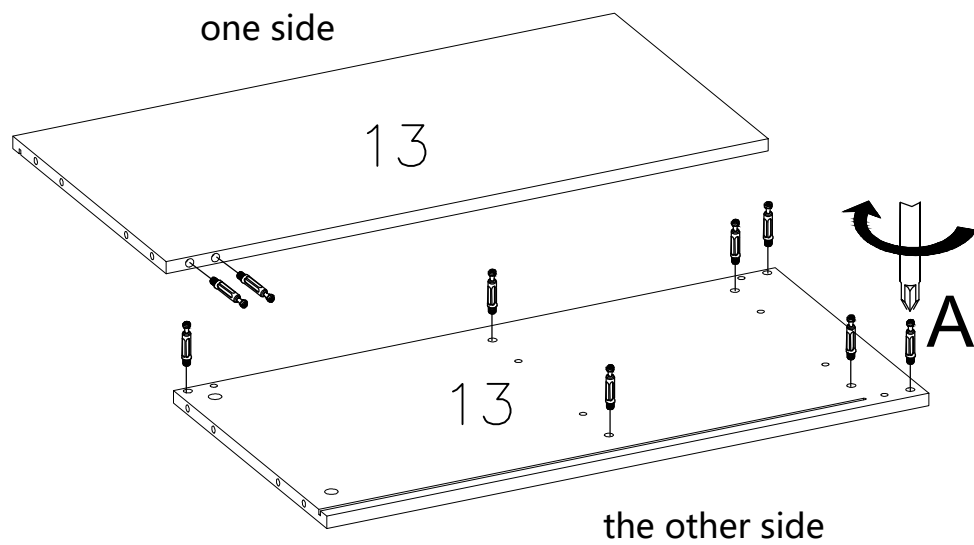
| | | | |
|---|----------|---|----------|
|  | B × 6PCS |  | E × 4PCS |
|  | U × 2PCS |  | T × 6PCS |


STEP 24



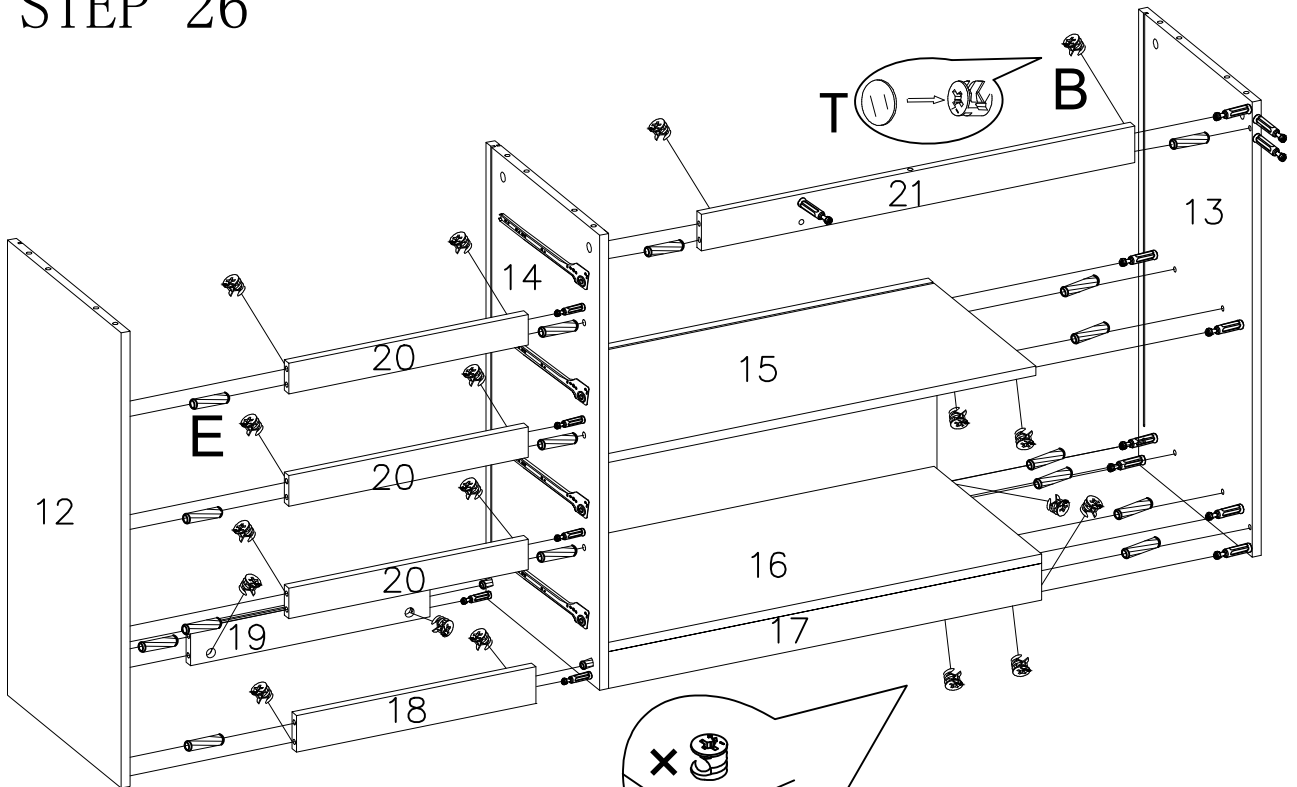
After installation, please hold the suspended end with your hands




STEP 25



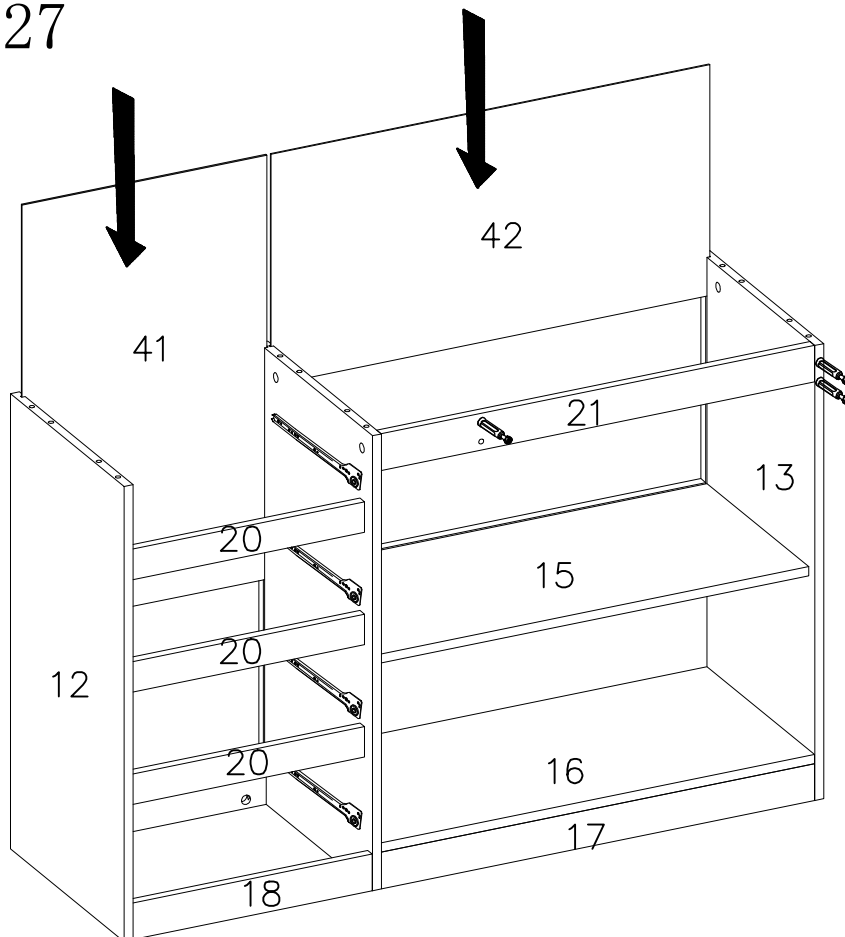
| | |
|---|----------|
|  | A × 9PCS |
|---|----------|

STEP 26

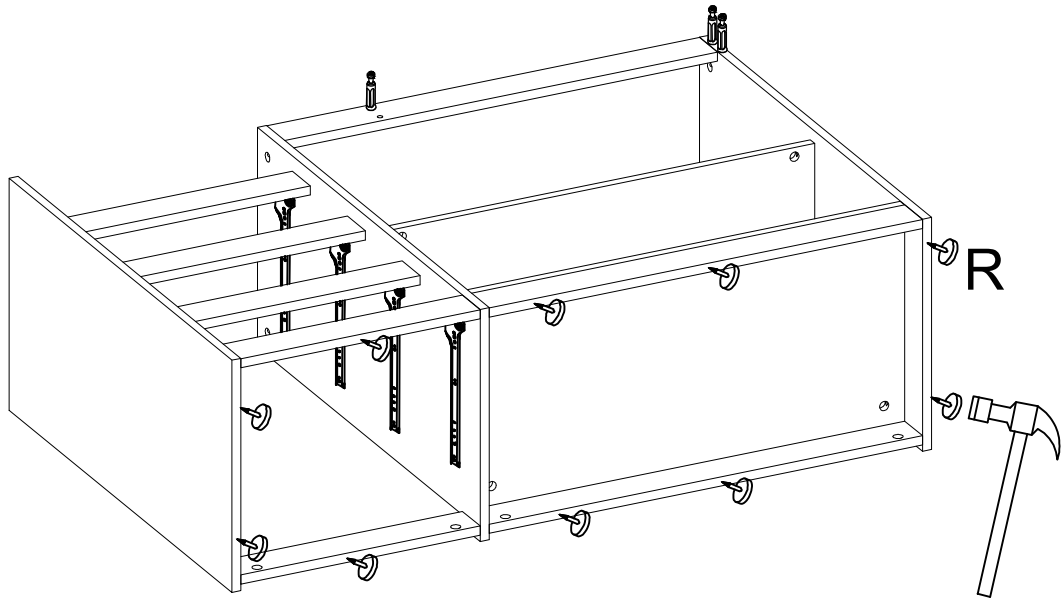


| | |
|---|---------|
|  | B×18PCS |
|  | E×16PCS |
|  | T×18PCS |

STEP 27

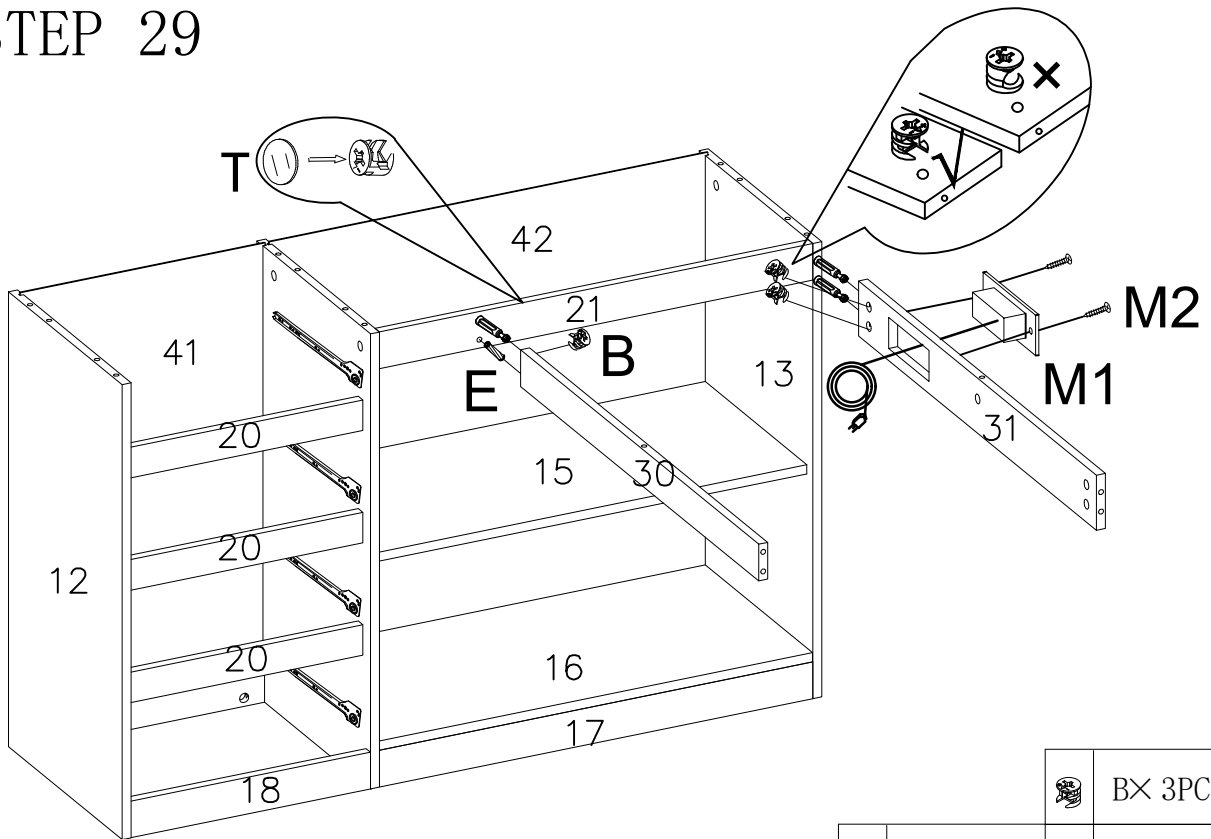


STEP 28








 R × 10PCS

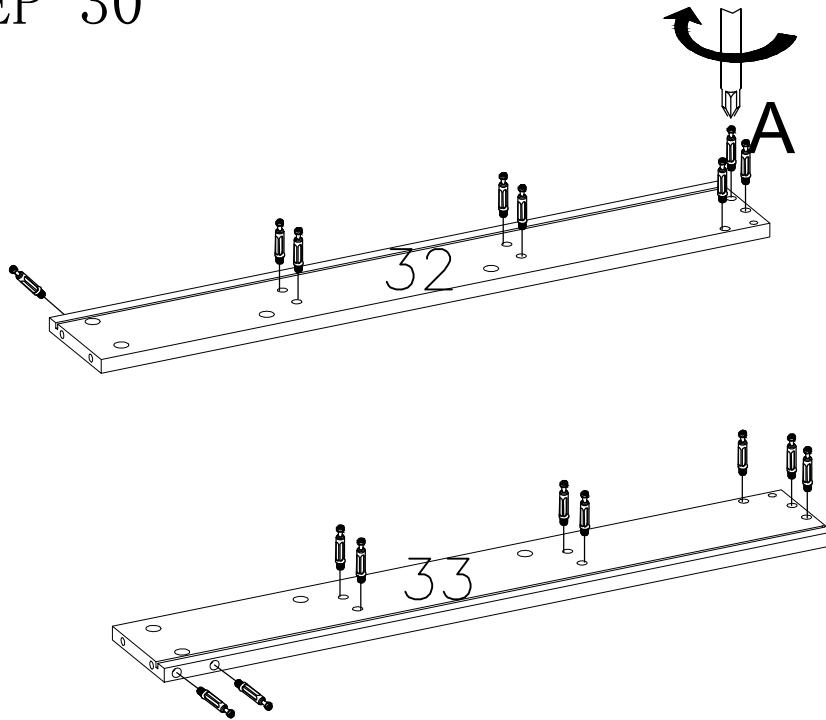
STEP 29



After installation, please hold the suspended end with your hands

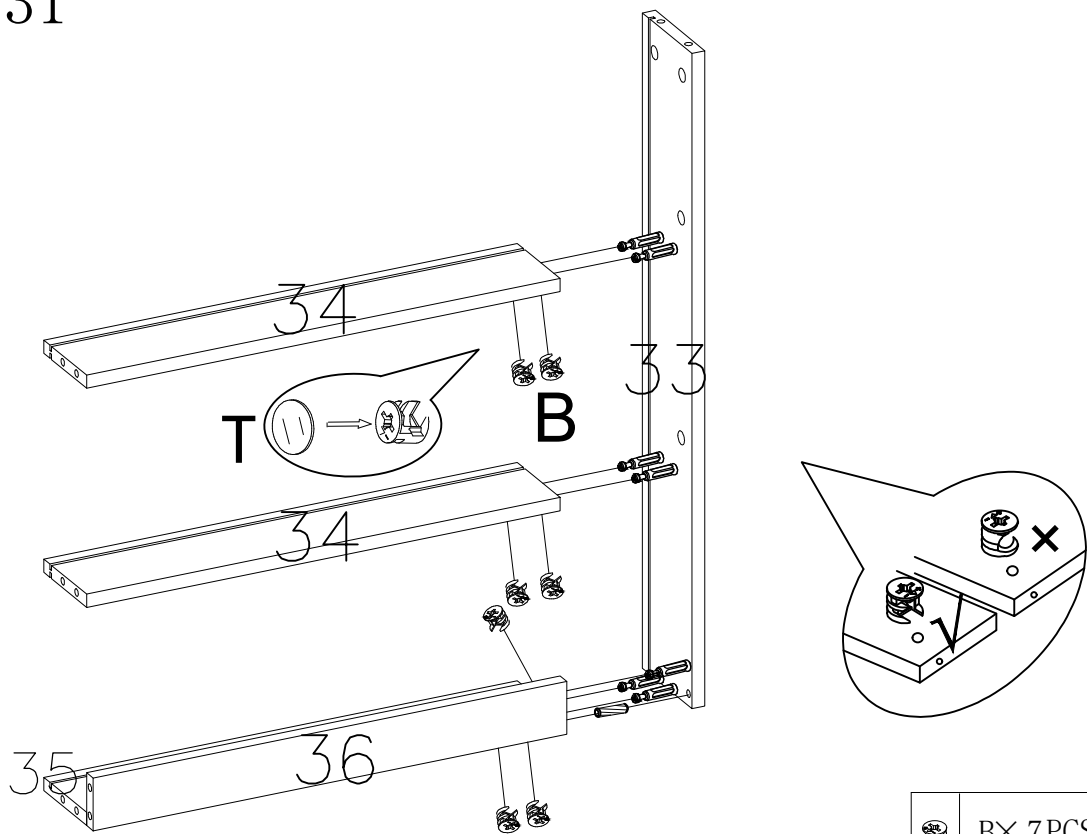
| | | | |
|---|-----------|---|----------|
|  | E × 1PC |  | M1 × 1PC |
|  | M2 × 2PCS |  | T × 3PCS |
| | |  | B × 3PCS |




STEP 30



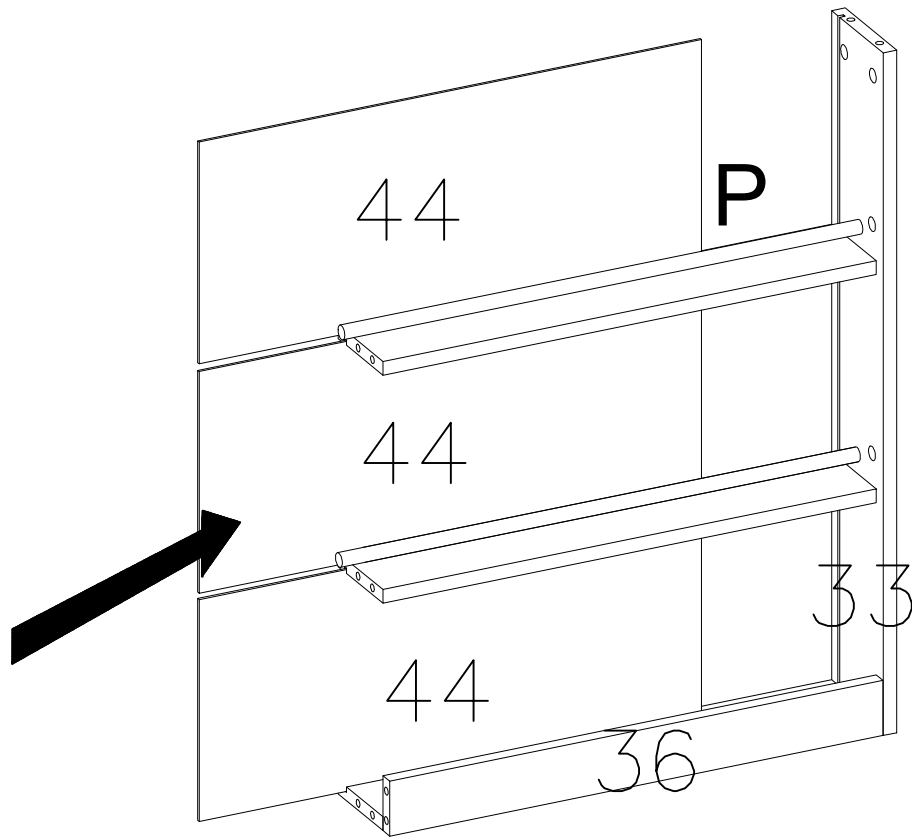
| | |
|---|-----------|
|  | A × 17PCS |
|---|-----------|

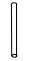
STEP 31



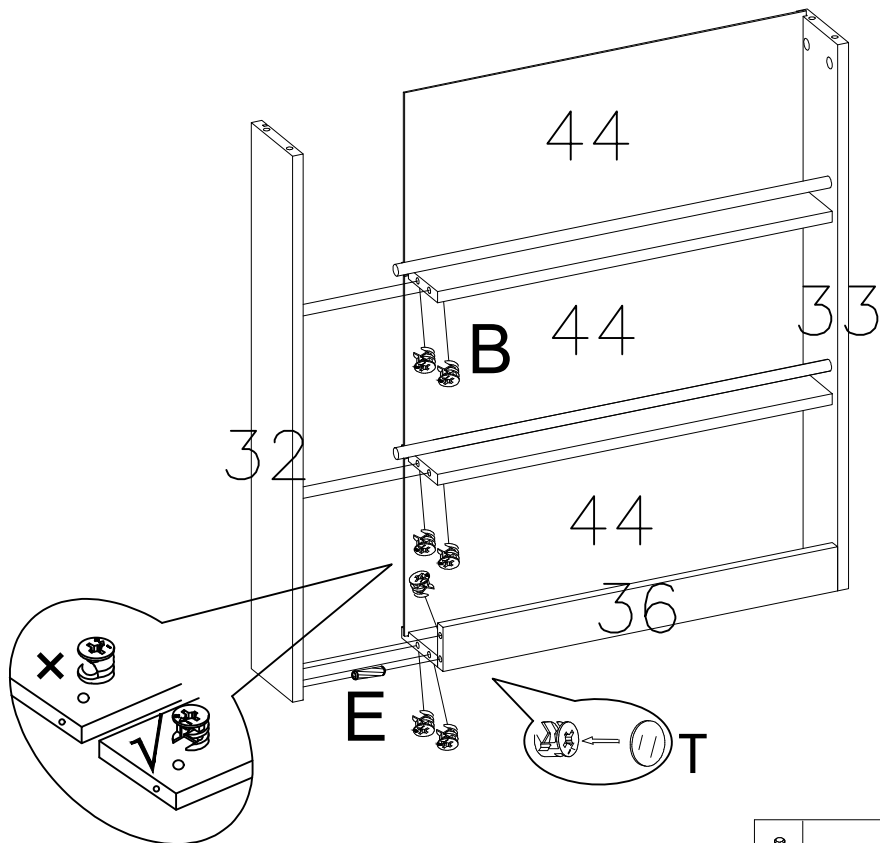
| | | | |
|---|----------|---|----------|
|  | B × 7PCS |  | T × 7PCS |
|  | E × 1PC | | |




STEP 32



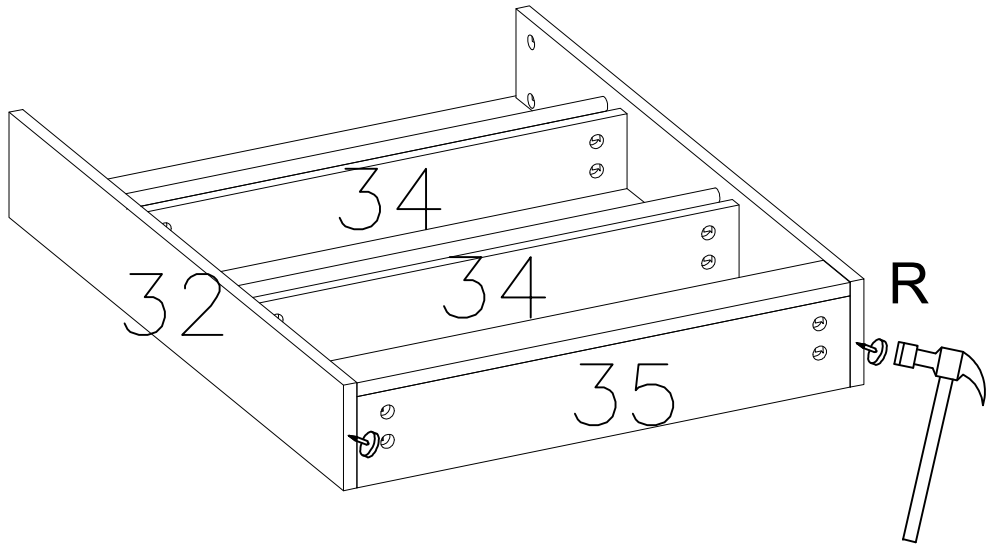
| | |
|---|----------|
|  | P × 2PCS |
|---|----------|


STEP 33



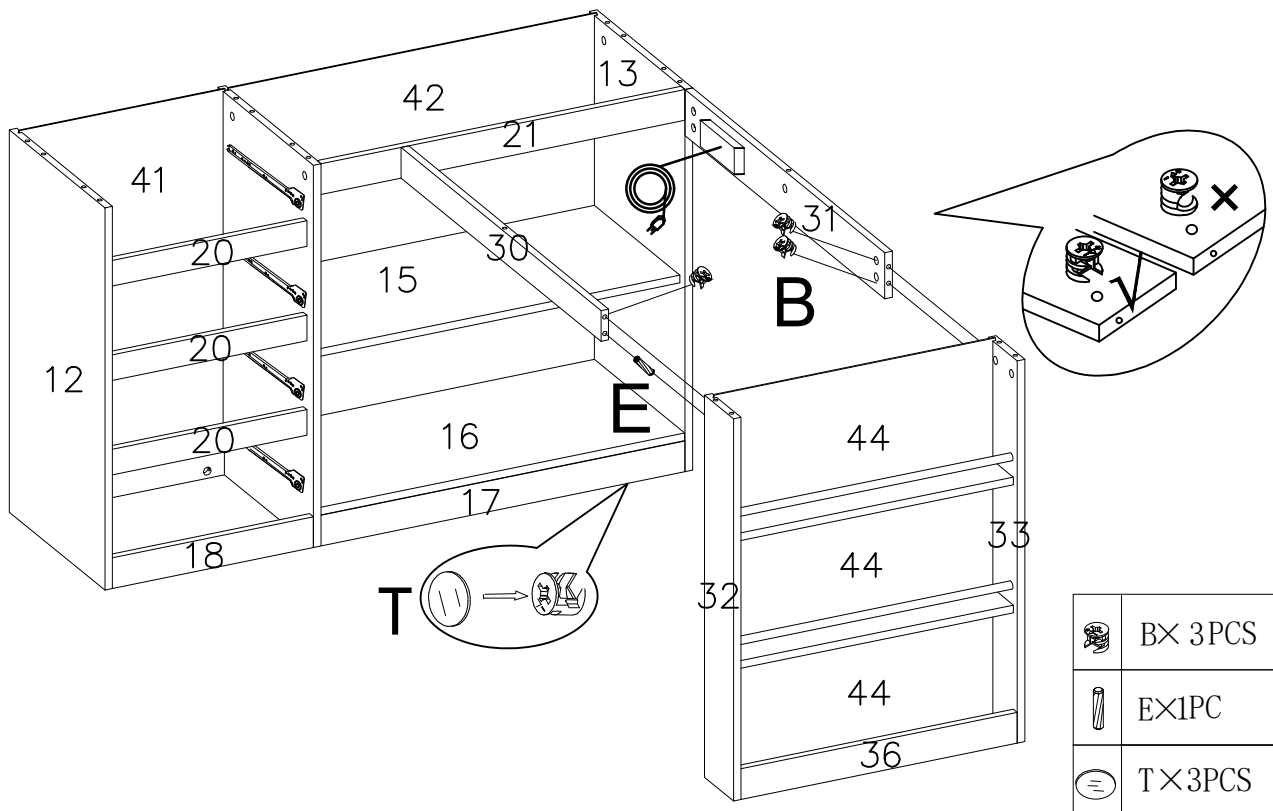
| | | | |
|---|----------|---|----------|
|  | B × 7PCS |  | T × 7PCS |
|  | E × 1PC | | |

STEP 34

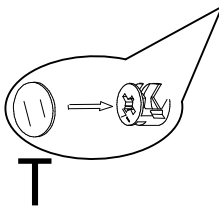
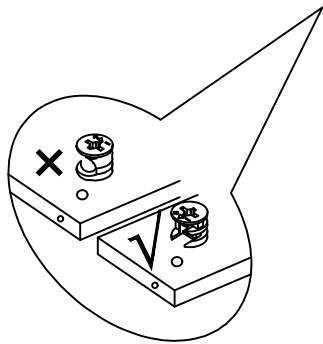
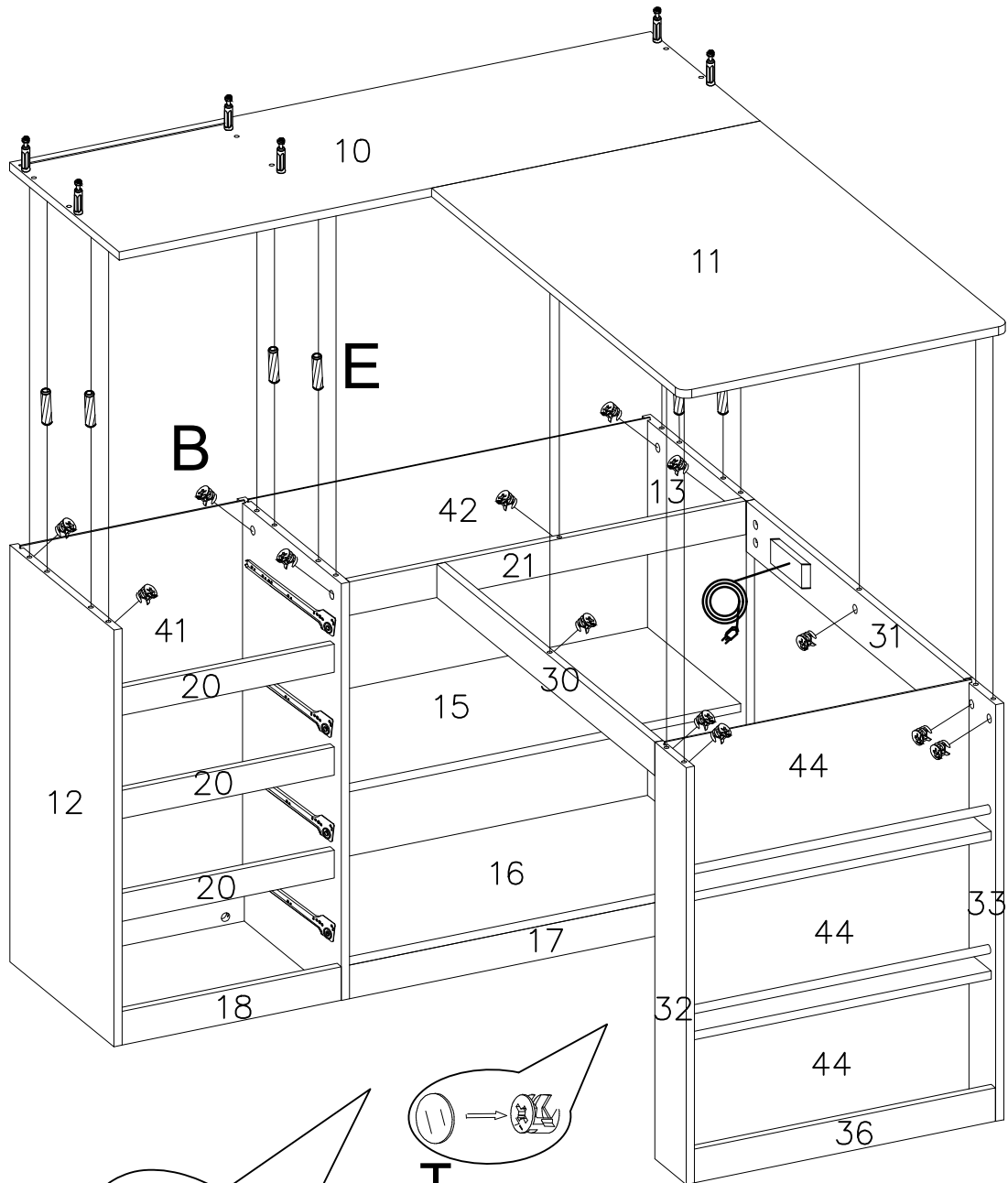





 R × 2PCS

STEP 35

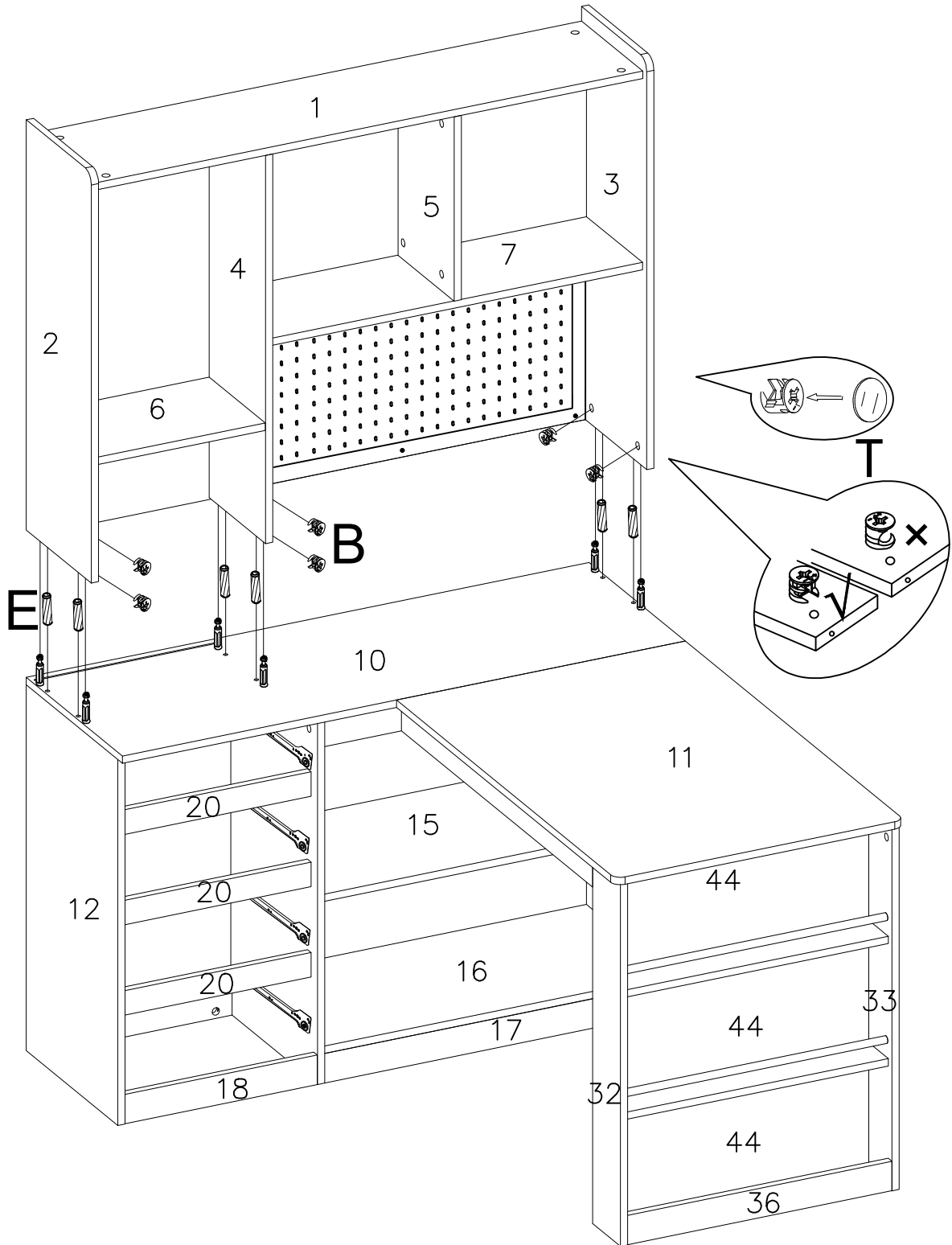






STEP 36



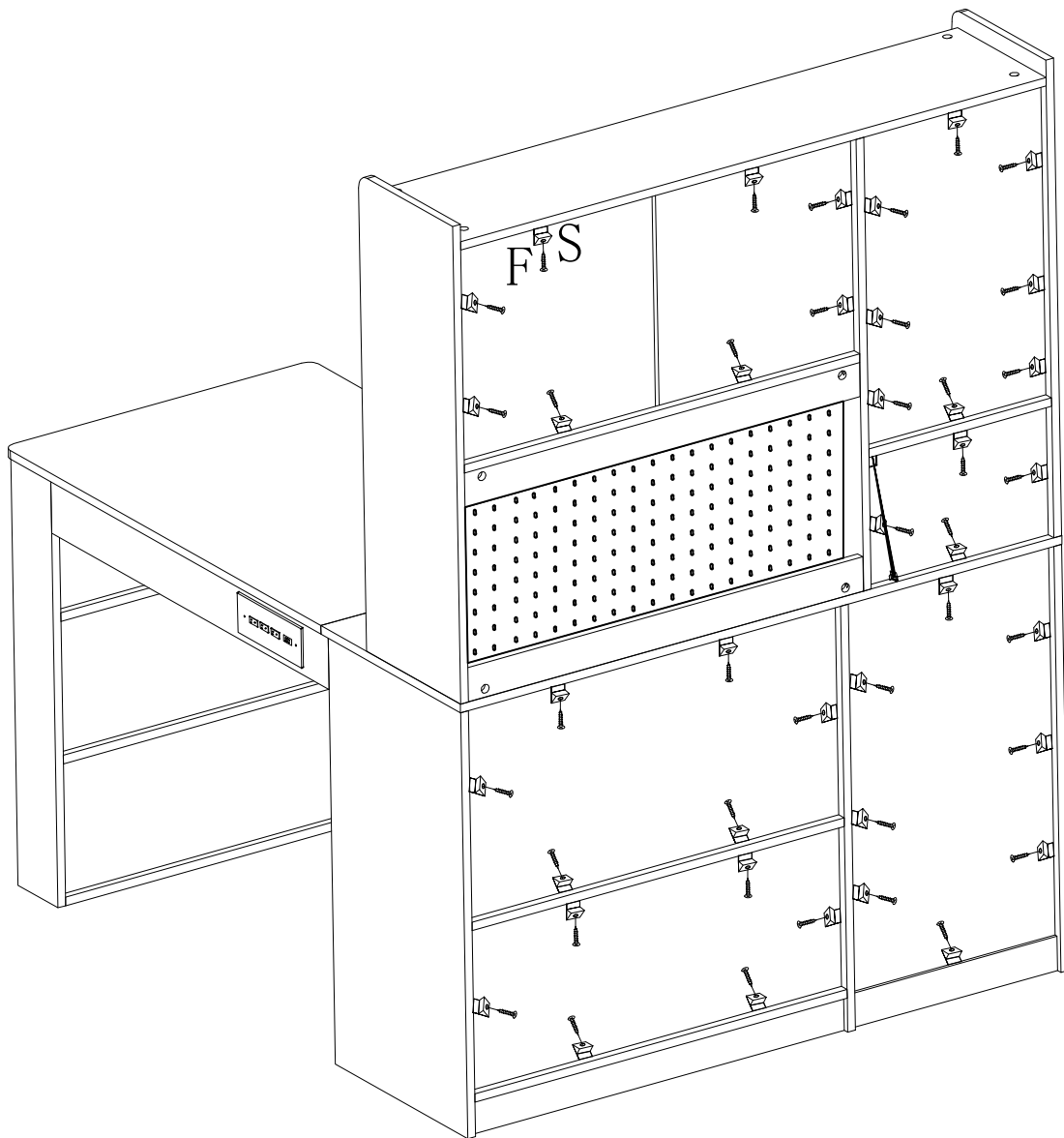
| | | | |
|---|---------|---|---------|
|  | E×6PCS |  | T×13PCS |
|  | B×13PCS | | |



STEP 37



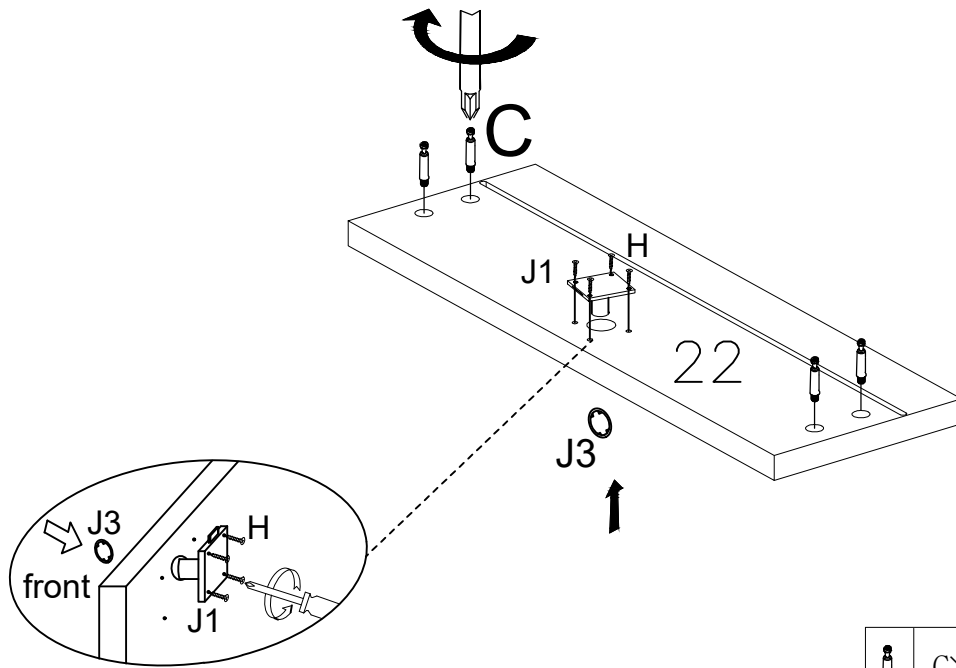
| | | | |
|---|--------|---|--------|
|  | E×6PCS |  | B×6PCS |
|  | E×6PCS |  | T×6PCS |





STEP 38



| | |
|---|-----------|
|  | F × 40PCS |
|  | S × 40PCS |

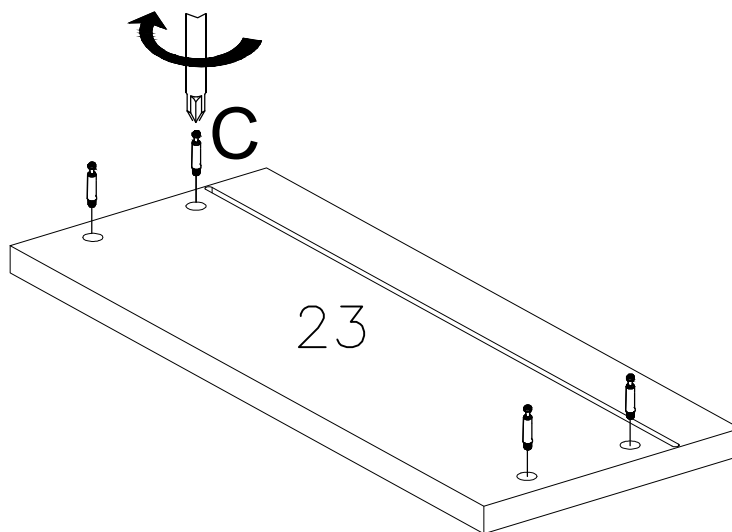
STEP 39




| | | | |
|---|---------|---|---------|
|  | C× 4PCS |  | H×4PCS |
|  | J1×1 PC |  | J3×1 PC |

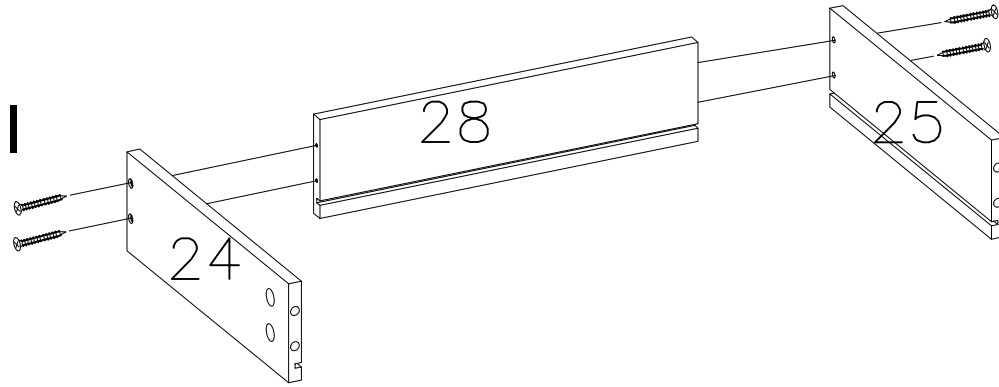
STEP 40

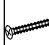
×3



| | |
|---|----------|
|  | C× 12PCS |
|---|----------|

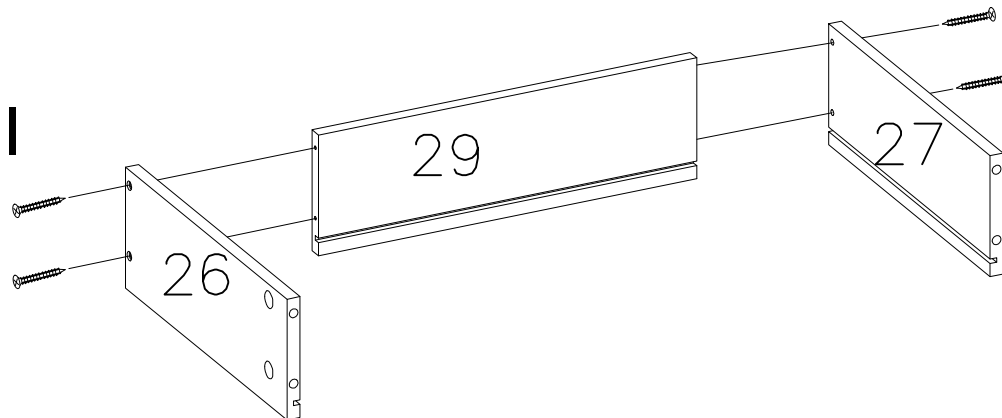
STEP 41

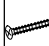


 I × 4PCS

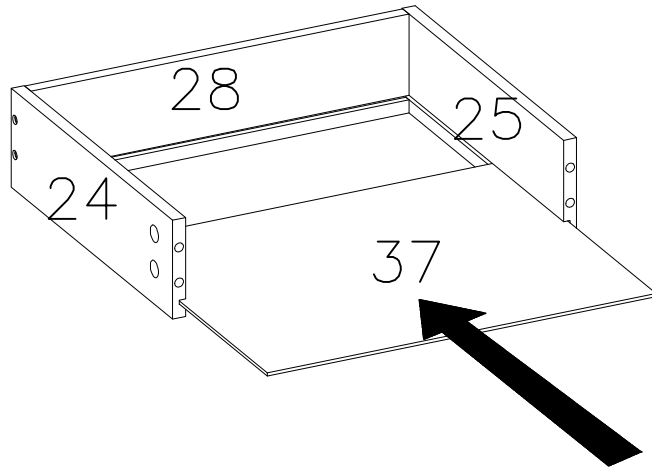
STEP 42

×3



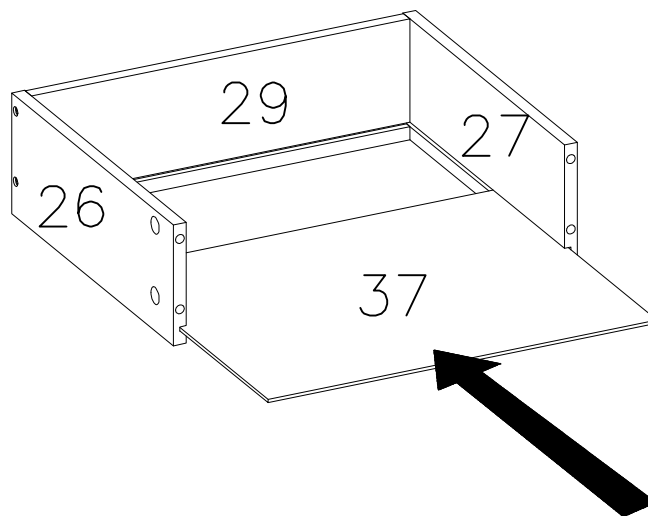
 I × 12PCS

STEP 43

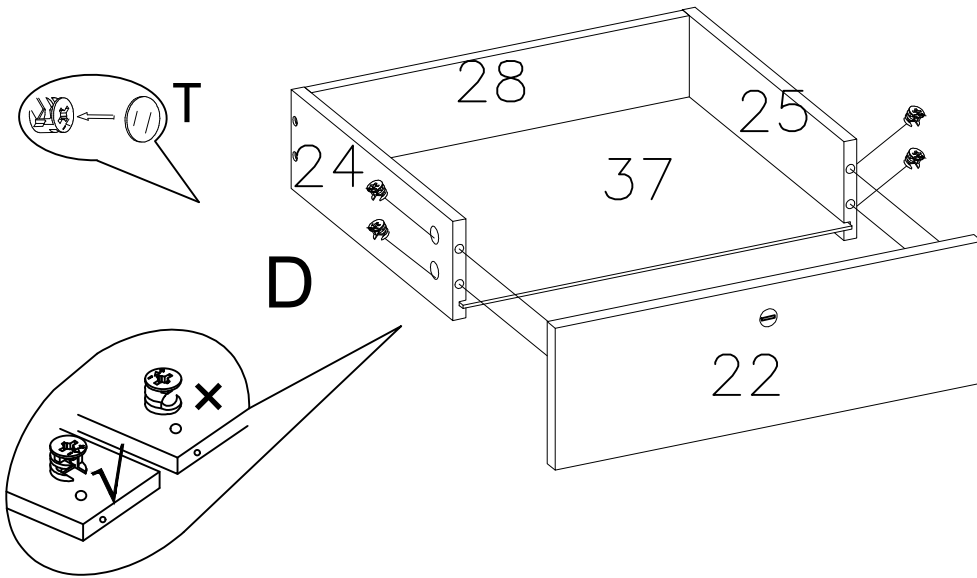




STEP 44

x3



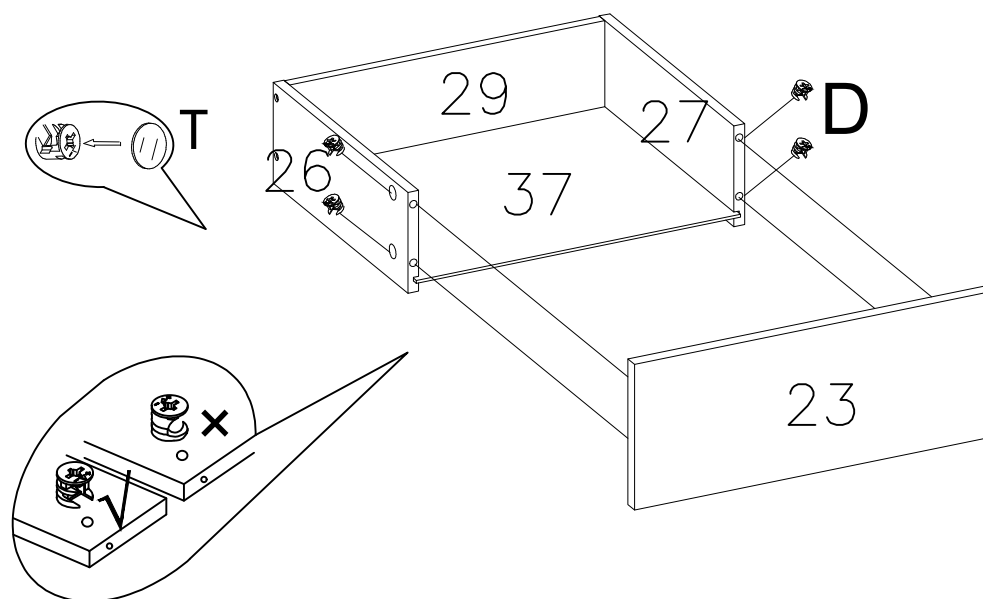
STEP 45





| | |
|---|---------|
|  | D× 4PCS |
|  | T× 4PCS |

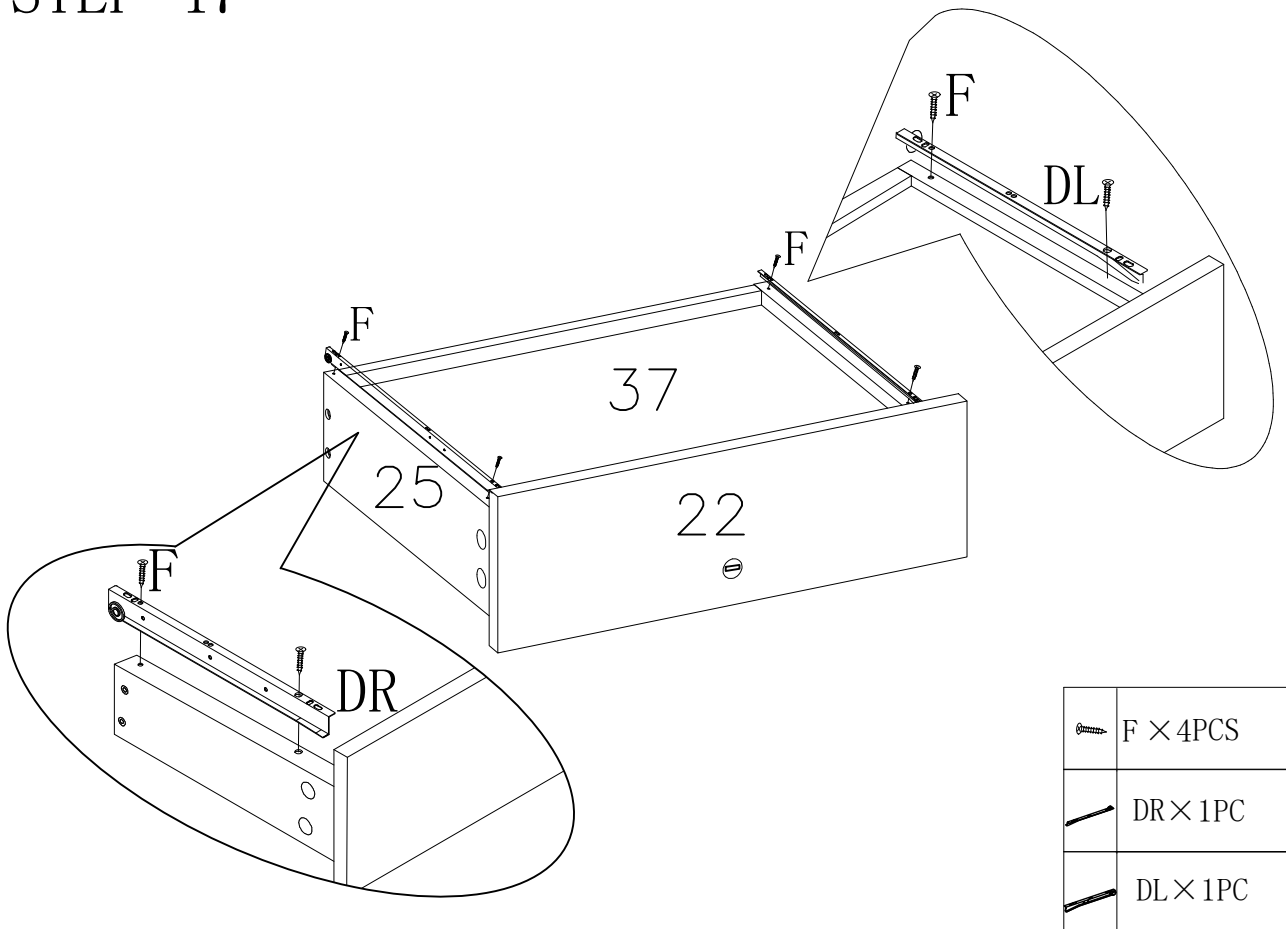
STEP 46

×3

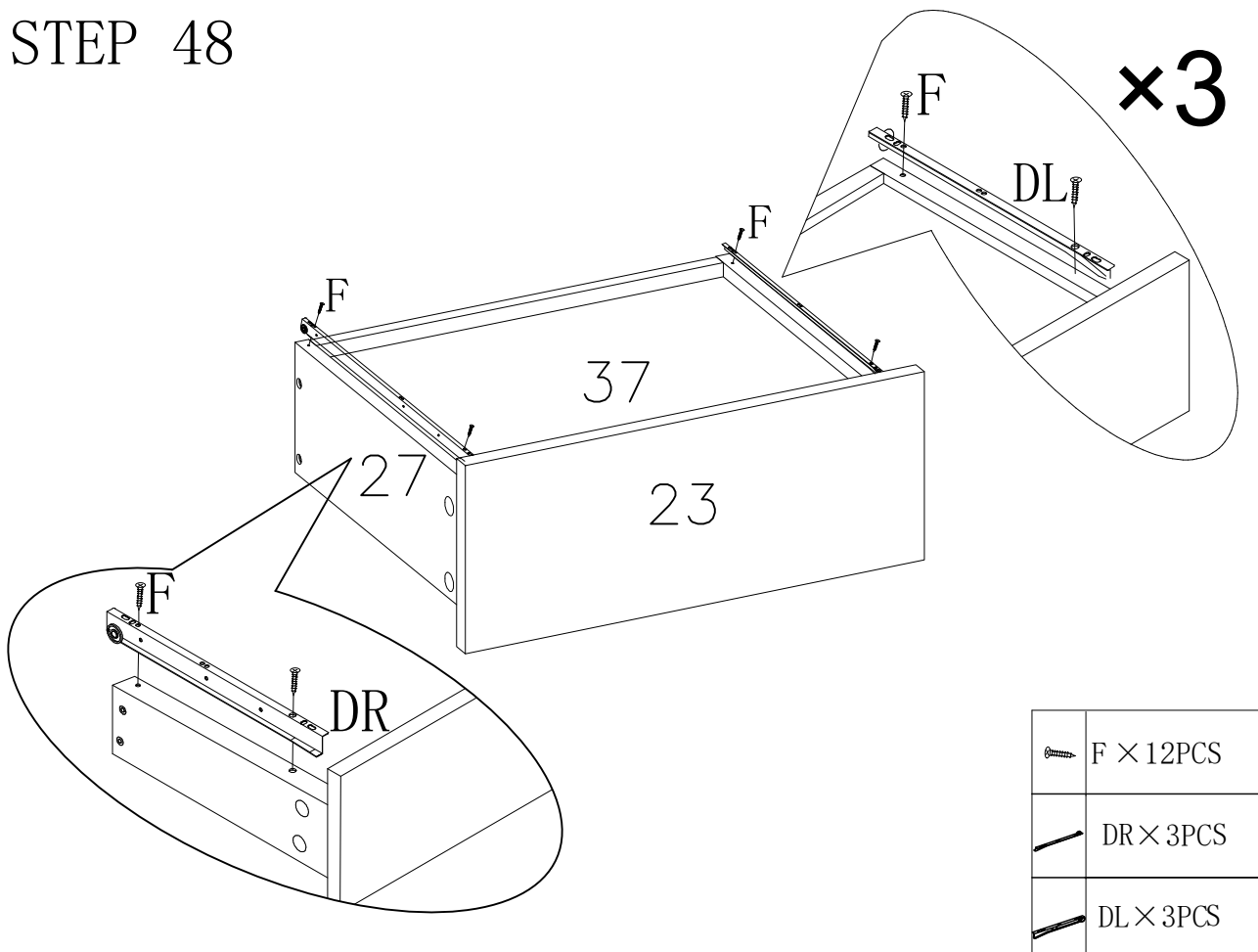


| | |
|---|----------|
|  | D× 12PCS |
|  | T× 12PCS |

STEP 47

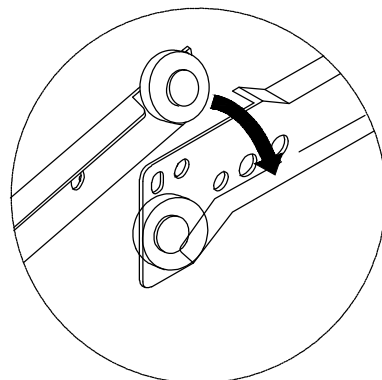
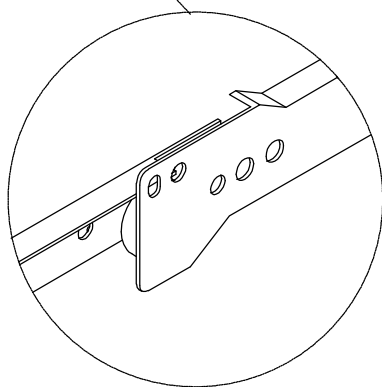
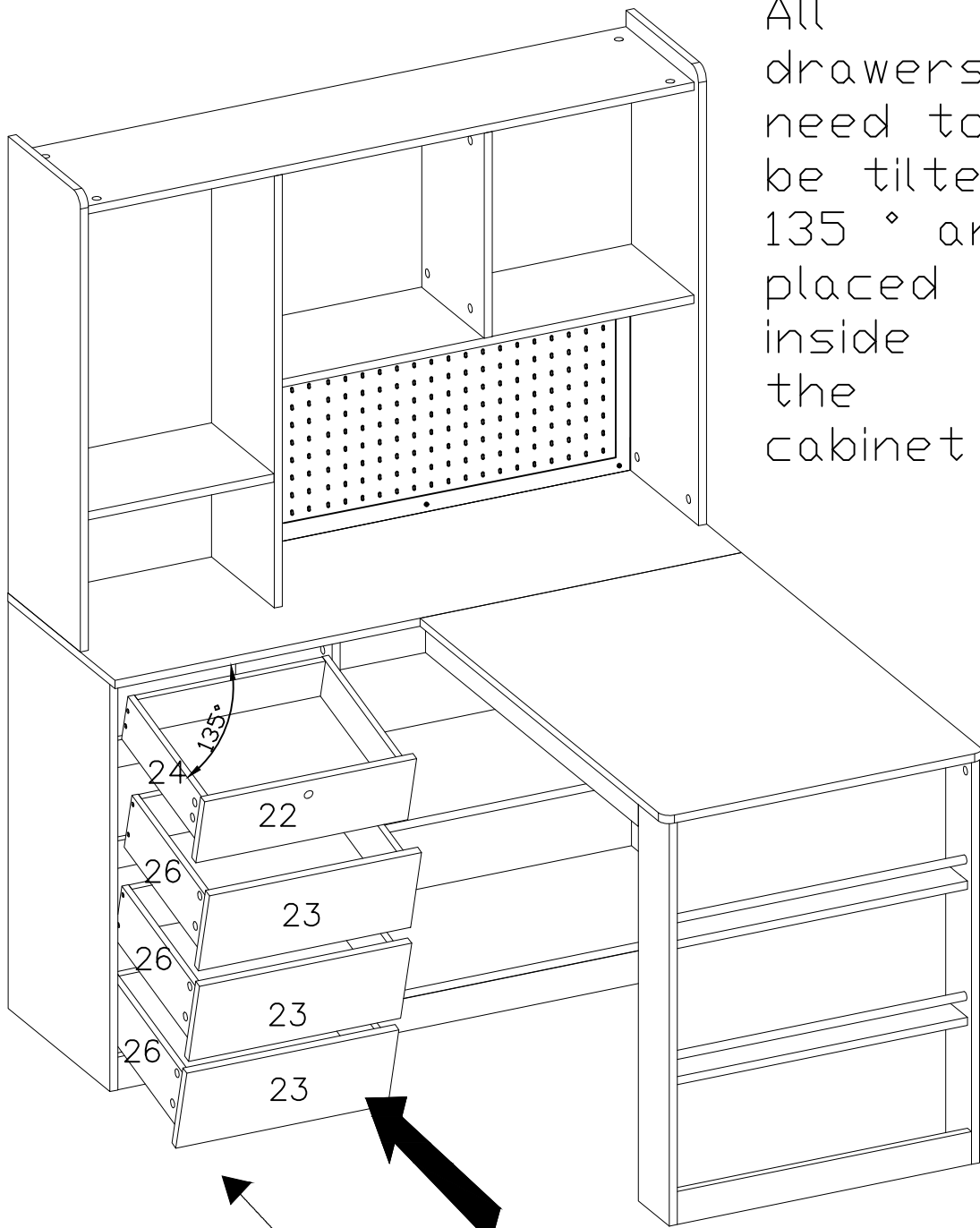


STEP 48

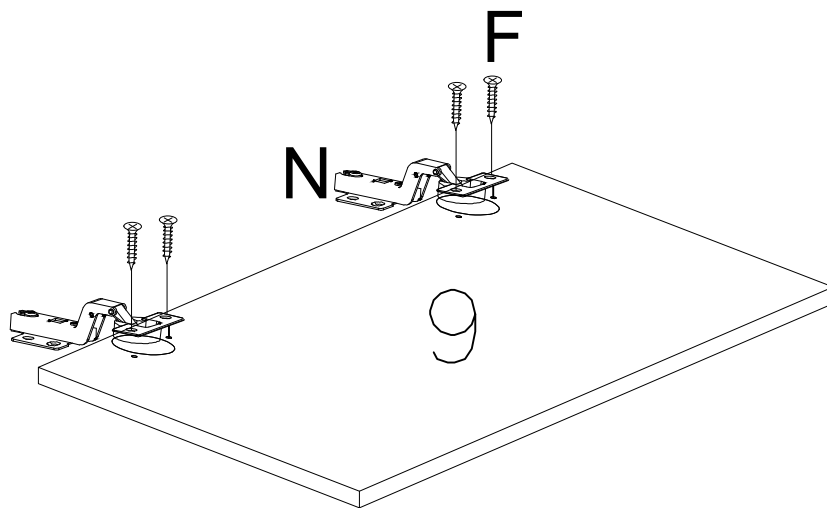




STEP 49

All drawers need to be tilted 135 ° and placed inside the cabinet

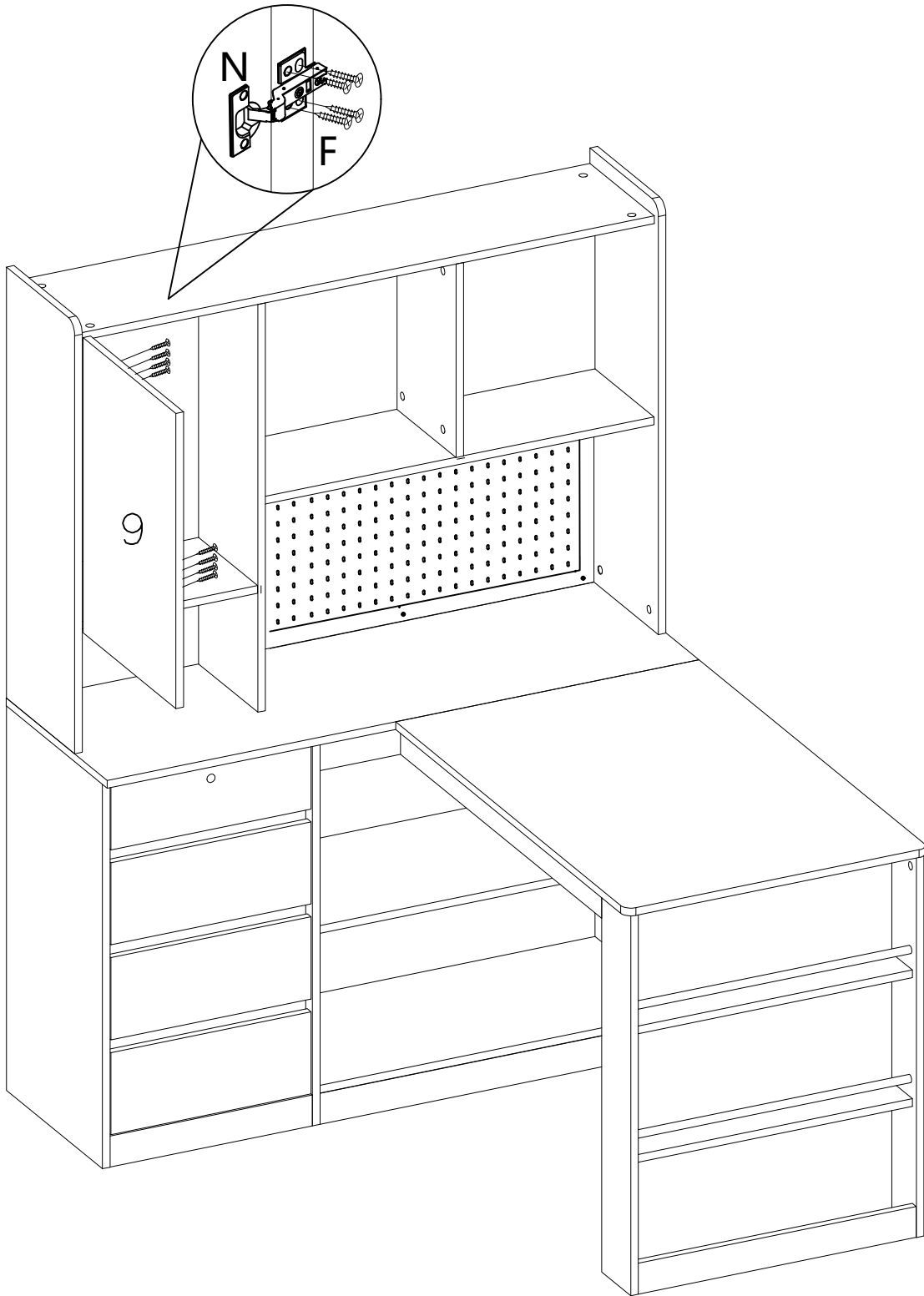



STEP 50



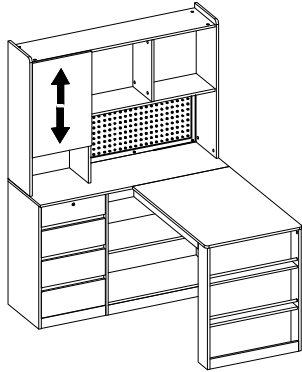
| | |
|---|----------|
|  | F × 4PCS |
|  | N × 2PCS |

STEP 51

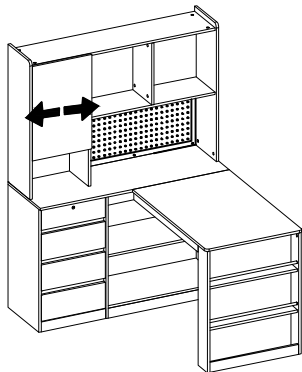
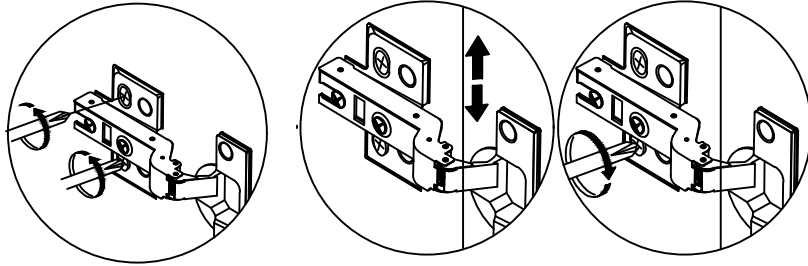


 F × 8PCS

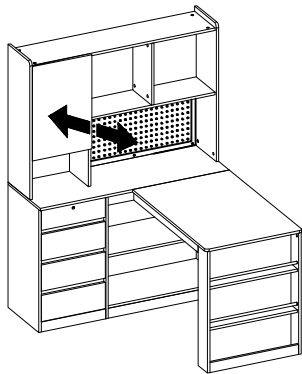
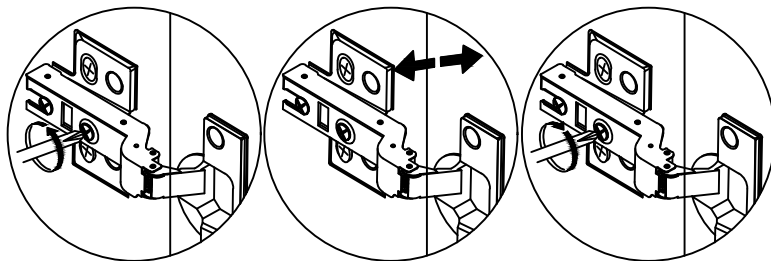
STEP 52



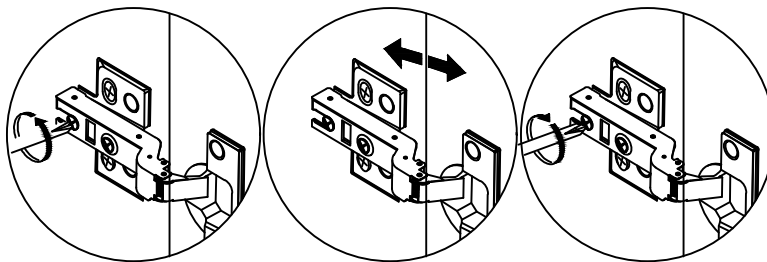
Cabinet door up and down fine adjustment



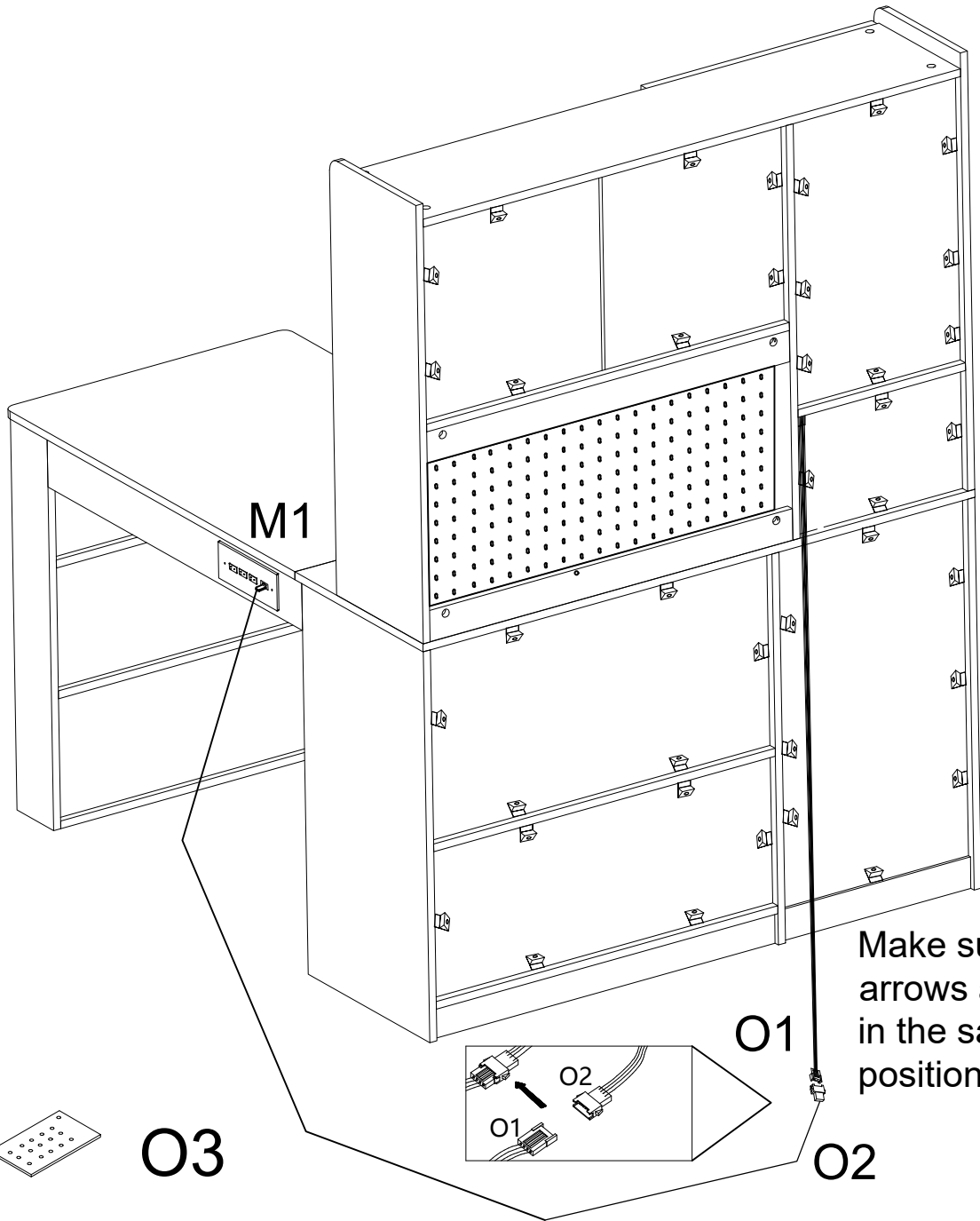
Cabinet door left and right fine adjustment



Fine-tune the gap after the cabinet door is closed





STEP 53



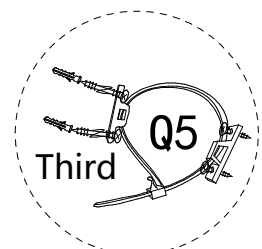
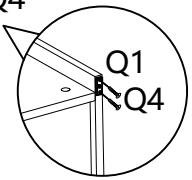
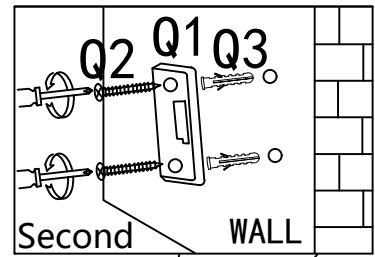
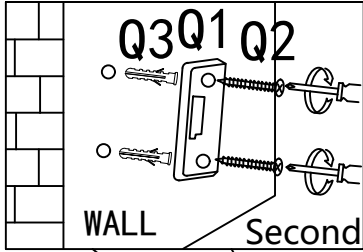
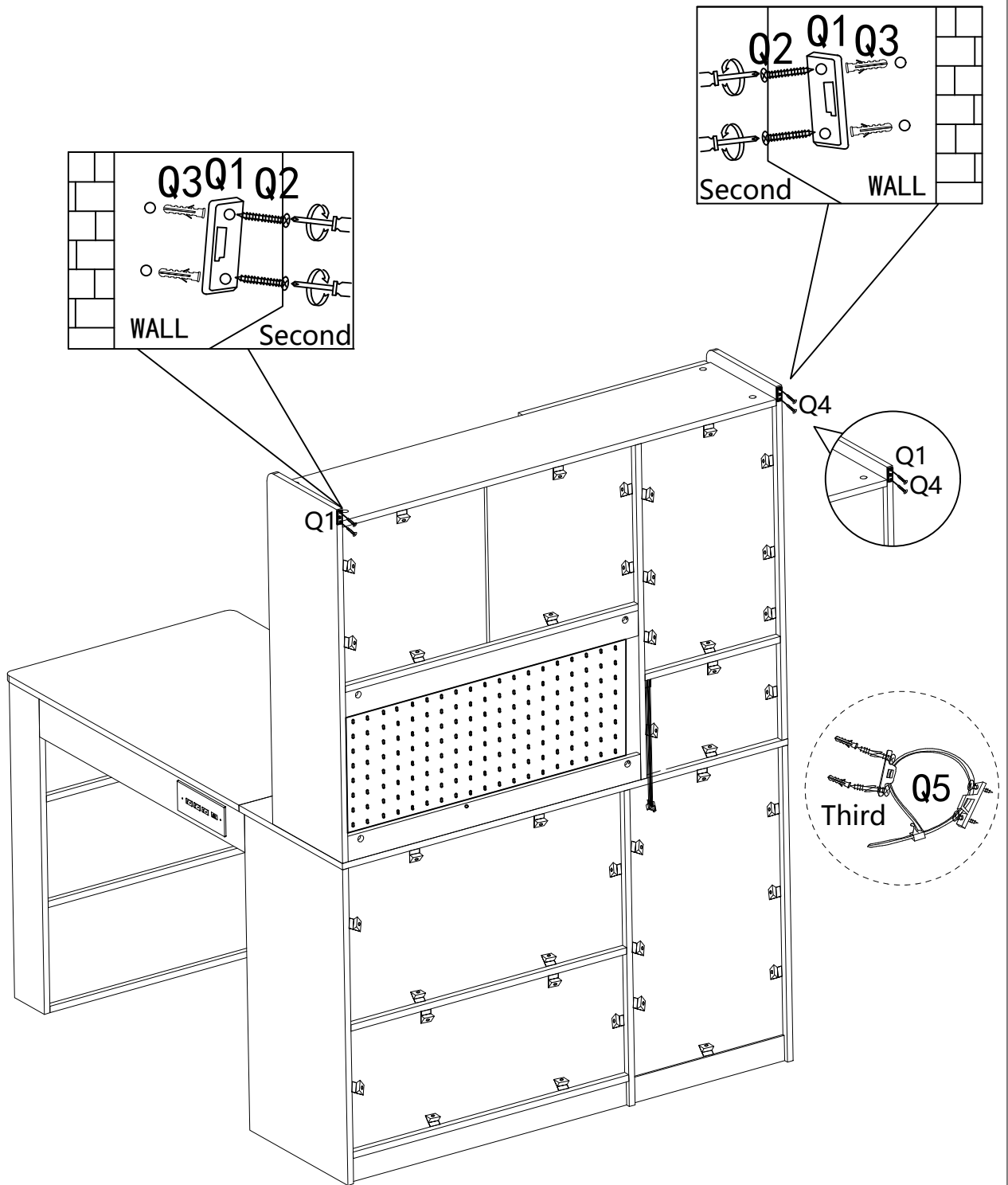
Make sure the arrows are in the same position !

Last: Plug the O2 into the power supply !
O3 can be adjusted !

O1 and O2 are connected;
O2 and M1 are connected;

| | |
|---|----------|
|  | O2 × 1PC |
|  | O3 × 1PC |

STEP 54



| | | |
|--|---|-----------------|
| | <p>Q1 ← Q2</p> <p>Q5</p> <p>Q4 ← Q3</p> | <p>Q × 2PCS</p> |
|--|---|-----------------|