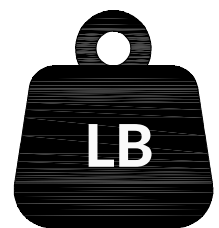
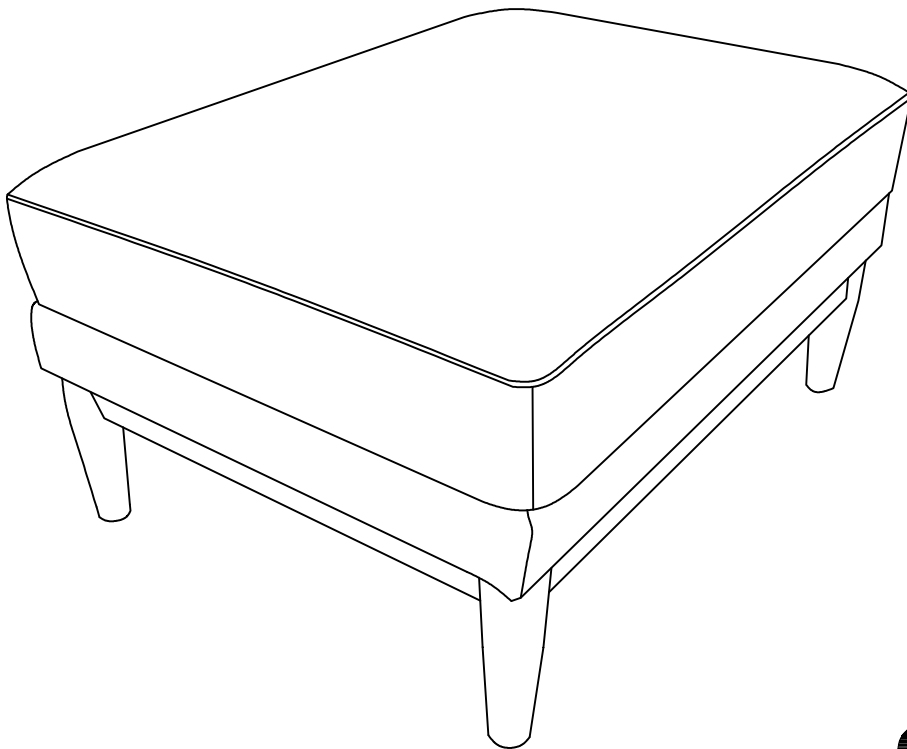


# OWNER MANUAL



Per Seat Weight Limitation

**300 LBS**

---

## Thank You For Choosing Our Furniture

- ▀ If you have any questions or concerns, don't hesitate to reach out to us. ▀

### **NOTE :**

This brochure contains **IMPORTANT** safety info. Please read and keep it for future reference.

# MAINTENANCE AND WARNINGS



## Before You Start

***Please follow the steps below:***

- ⚠ Unbox the package and check if all parts and accessories are complete.
- ⚠ Place the parts of the sofa on a flat surface.
- ⚠ Ensure the sofa is placed on a stable, flat surface to prevent it from tilting.
- ⚠ Avoid placing sharp or heavy objects directly on the sofa to prevent tears or deformation.
- ⚠ Follow the assembly instructions provided to attach the cushions, backrest, and armrests securely.
- ⚠ Clean the installation area in advance and ensure the ground is level and there is enough space to avoid damaging the furniture or making installation difficult.
- ⚠ Lay a protective mat on the ground to prevent scratching the floor during installation.

### ***After-Sales Service***

- If you encounter any issues or need technical support during use, please contact our after-sales team. We offer long-term maintenance and warranty services.



## Precautions

- ⚠ This sofa is for indoor use only. Do not expose it to outdoor elements or high-humidity environments.
- ⚠ Keep the product away from high heat or open flames to prevent fire hazards.
- ⚠ Do not allow children or pets to play on the sofa unsupervised to avoid accidents.



## Safety Warnings

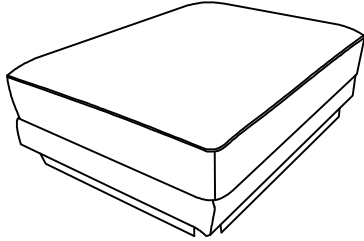
- ⚠ If you notice any loose or damaged parts, stop using the sofa immediately and contact customer service.
- ⚠ Do not attempt to disassemble or replace any components yourself, as this may affect the stability and safety of the product.

### ***Daily Maintenance***

- Regularly clean the surface of the sofa with a soft cloth to prevent dust accumulation.
- For fabric sofas, it is recommended to vacuum weekly and clean the fabrics as needed.
- For leather sofas, use a leather cleaner regularly to clean and maintain the material. Avoid direct sunlight to prevent leather aging.
- In case of spills, immediately blot the area with a clean, dry cloth.

# Parts List

A



x1

Ottoman Cushion

B



x4

Legs

At the bottom of A

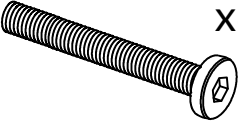

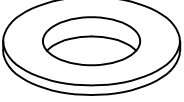



Installation:  
15minutes.



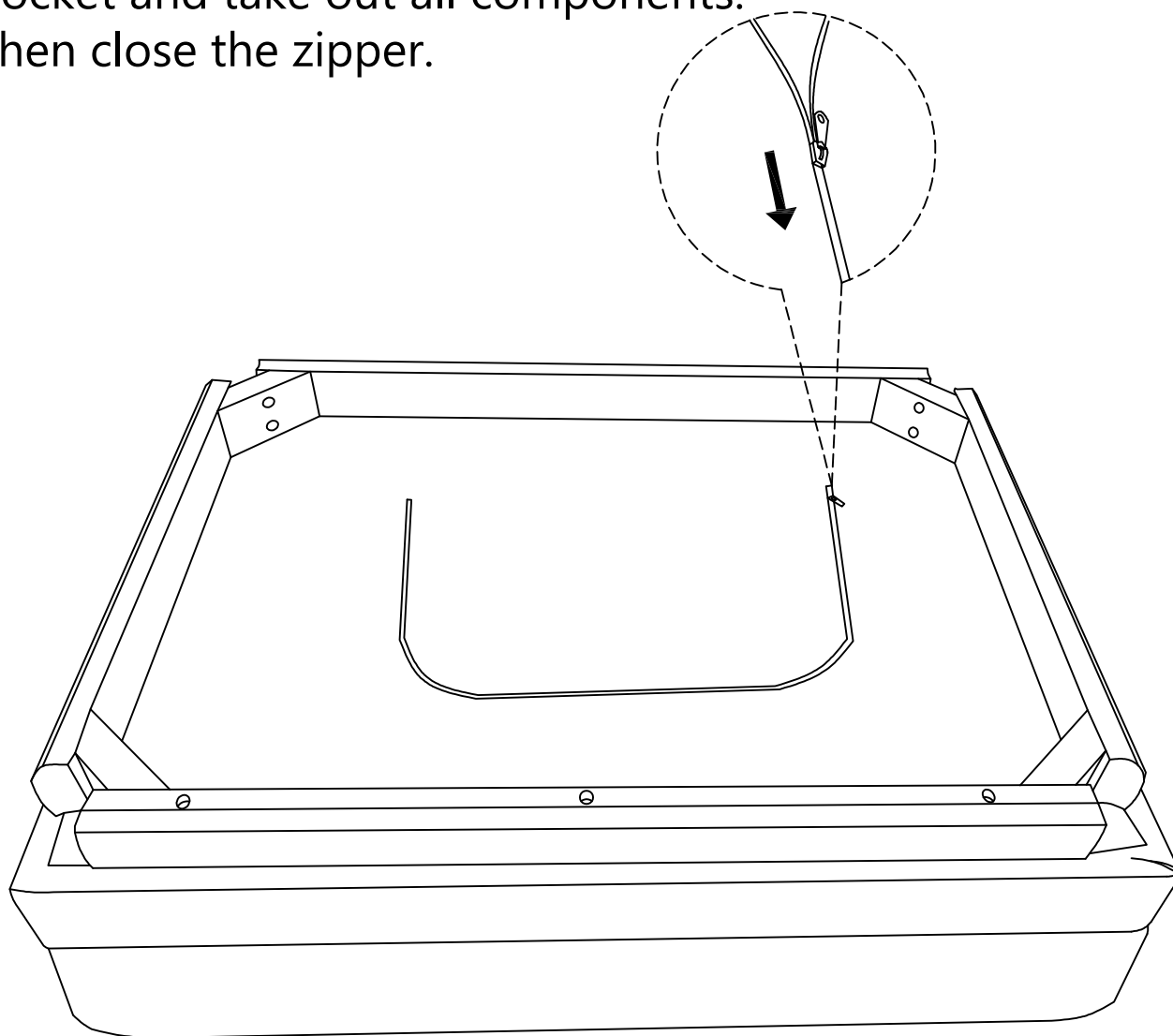
One Person

# Hardware List

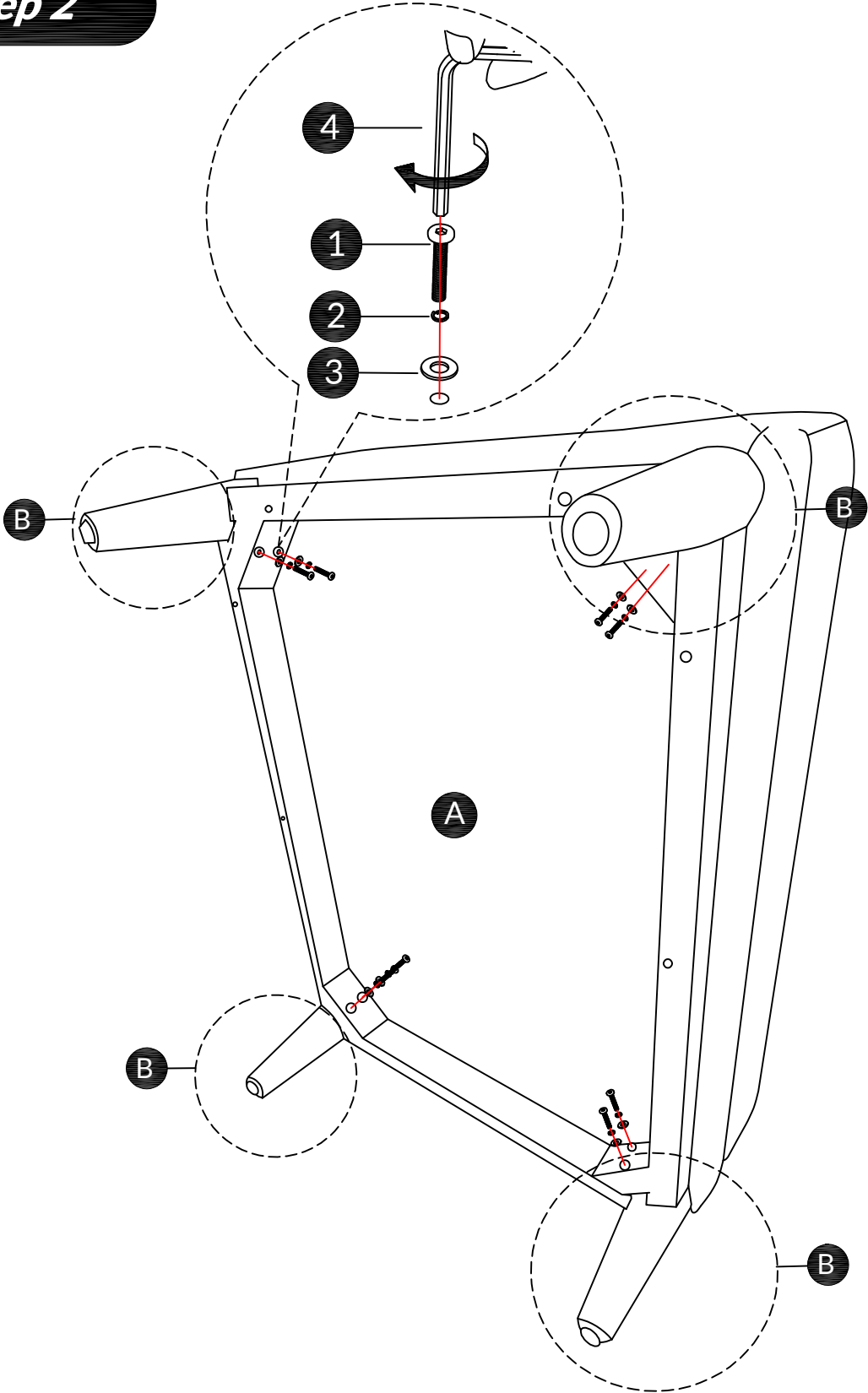
<p>1</p>  <p>x8+1</p> <p>1/4*50</p>	<p>2</p>  <p>x8+1</p>	<p>3</p>  <p>x8+1</p> <p>M6*18mm*1.5mm</p>
<p>4</p>  <p>x1</p>		

## Step 1

Please be sure to open the bottom zipper pocket and take out all components.  
Then close the zipper.



# Step 2



2	x8	3	x8	1	x8	4	x1

# WARRANTY

- We strive to offer quality products, and we also try our best to satisfy every customer who orders from us with products or services as needed.
- We provide 30 days warranty starting from the time you receive the item. Each customer must provide a record of their orders such as the order number, or item receipt for any items that are out of the warranty period you may also still receive.
- Replacement parts by purchasing them from our company if they are available.
- For return, please check the return policy with the retailer or market place you bought from

## ***Are you having difficulty***

With assembly? Missing parts?  
Please send an email with your order No. to us

***Appreciate your purchasing from us.  
Pop up your life by our furniture piece!***