

LANGSTON LARGE CHANDELIER

VISUAL COMFORT & CO.

PRODUCT FEATURES

- Hand-formed fluted glass with inner laser etched tubing to diffuse light
- Shorter and taller pieces of glass can be mixed and matched in placement
- Centerpiece in a large entry or as a statement in a living or dining space
- Includes (2) 6" and (4) 12" rigid stems in coordinating finish
- Fully dimmable integrated LED lamp
- Protected by a 5-year warranty. Please visit the "About Us" Page on techlighting.com for more for warranty details



Plated Dark Bronze



Plated Dark Bronze

Plated Brass

LAMPING

Includes 86.4 watt, 5946 total delivered lumens, 90 CRI 2700K LED modules. Dimmable with most LED compatible ELV, TRIAC and 0-10V dimmers. Ships with 4-12" and 2-6" rigid stems. 120V-277V. Not sloped ceiling compatible.

ORDERING INFORMATION

700LGSN	LENGTH (A)	FINISH	LAMP
	46 46.6"	BR PLATED BRASS PZ PLATED DARK BRONZE	-LED927 INTEGRATED LED 90 CRI 2700K 120V-277V UNIVERSAL

700LGSN _____
JOB NAME _____
NOTES _____

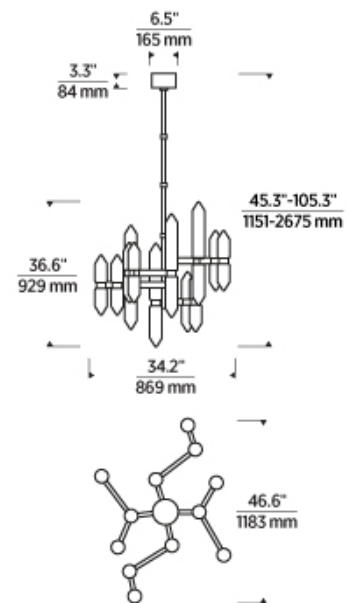


LANGSTON LARGE CHANDELIER

VISUAL COMFORT & Co.

SPECIFICATIONS

PRIMARY MATERIAL	Steel
SHADE MATERIAL	Crystal
NET WEIGHT	65 lbs
HEIGHT	43.2in
WIDTH	34.2in
LENGTH	46.6in
UP LIGHT / DOWN LIGHT / BOTH?	
WET LISTED	
DAMP LISTED	
DRY LISTED	
MIN. HANGING HEIGHT	52.9in
MAX HANGING HEIGHT	106.9in
TOTAL CORD LENGTH	
TOTAL STEM LENGTH	Up to 60in
STEM QTY	6
SLOPED CEILING ADAPTABLE?	No
GENERAL LISTING	ETL Listed
INCLUDES	



LAMPING SPECIFICATIONS

	LED LAMP	INTEGRATED LED	NON LED	NO LAMP
DELIVERED LUMENS		5946		
WATTS		86.4		
MAX WATTAGE PER BULB		86.4W		
		Universal 120V-277V 0-10, ELV, TRIAC		
CCT		2700K		
CRI		90 CRI		
LED LIFETIME		>50000		
L70				
AVERAGE BULB HOURS				
FIELD SERVICEABLE LED				
LAMP BASE		Integrated LED		
LAMP SHAPE		Integrated LED		
LAMP INCLUDED?		True		
WARRANTY**		5 Years		

* Dimming information available at www.techlighting.com/Downloads#dimming

** Visit techlighting.com for specific warranty limitations and details.

T20 / T24 / JA8 INFORMATION

	Integrated LED	Replacement LED Lamp	No Lamp *
This product can be used to comply with California Building Energy Efficiency Standards 2016 Title 24 Part 6 / JA8.	Yes		
This product can be used to comply with California Appliance Efficiency Standards 2016 Title 20 and may be shipped to and sold in California.	N/A		

* If a light fixture or component does not include a lamp or light source, it is the responsibility of the customer to select a lamp that meets the T24 and T20 requirements.

