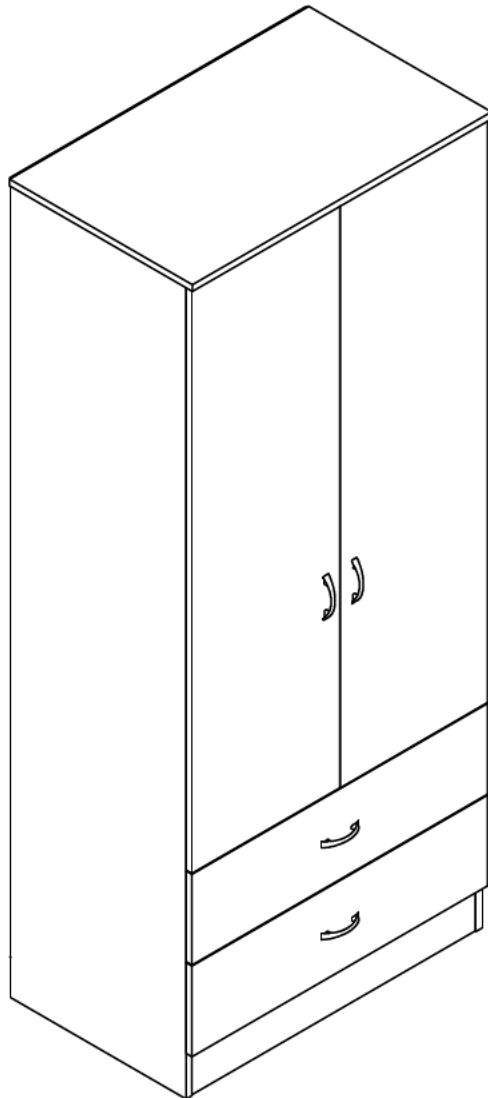


Bedroom Furniture Set

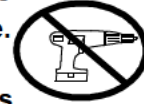
ASSEMBLY INSTRUCTION - Please Keep for Future Reference



Safety and Care Advice

IMPORTANT - Please Read This Instruction Carefully Before Assembly.

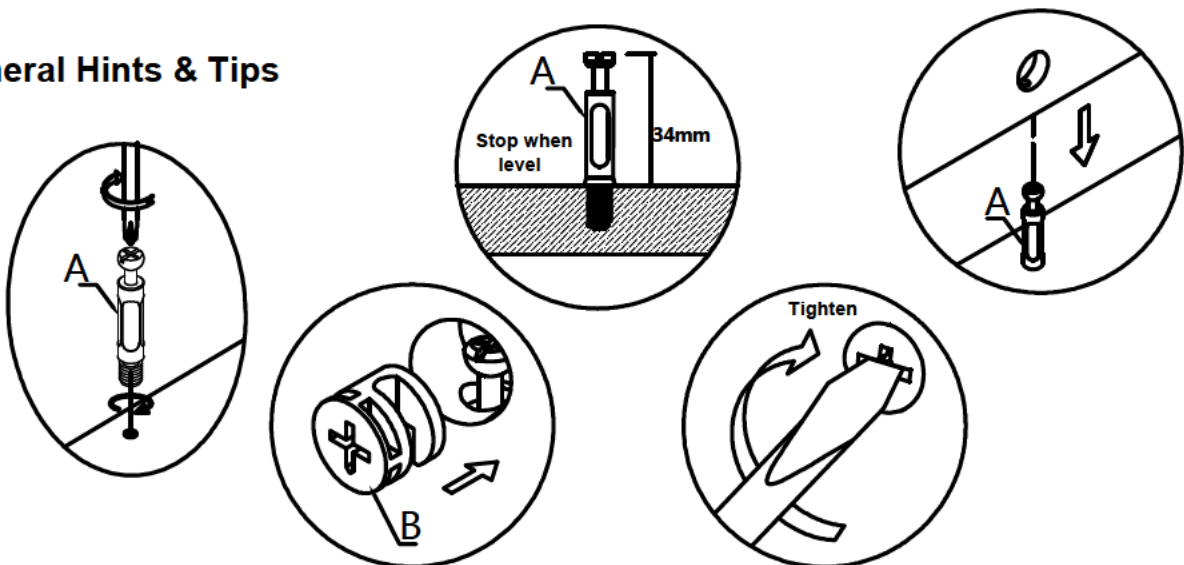
- Check you have all the components and tools listed on page 3.
- Do not stand or put weight on the product, this could cause damage.
- Do not use power drill/drivers for assembly, or the unit may be damaged.
- Remove all settings from the plastic bags and separate them into their groups.
- Assemble the item as close to it's intended position (in the same room) as possible.
- Assemble on a soft level surface to avoid damaging the unit.
- Dispose of all packaging carefully and responsibly.
- Keep children and animals away from the work area, small parts could choke if swallowed.
- Make sure you have enough space to layout the parts before assembly.
- Parts of the assembly will be easier with 2 people.



CARE and MAINTENANCE

- Only clean using a damp cloth and mild detergent, do not use bleach or abrasive cleaners.
- From time to time check that there are no loose screws on this unit.
- This product should not be discarded with household waste. Take to your local authority waste disposal center.

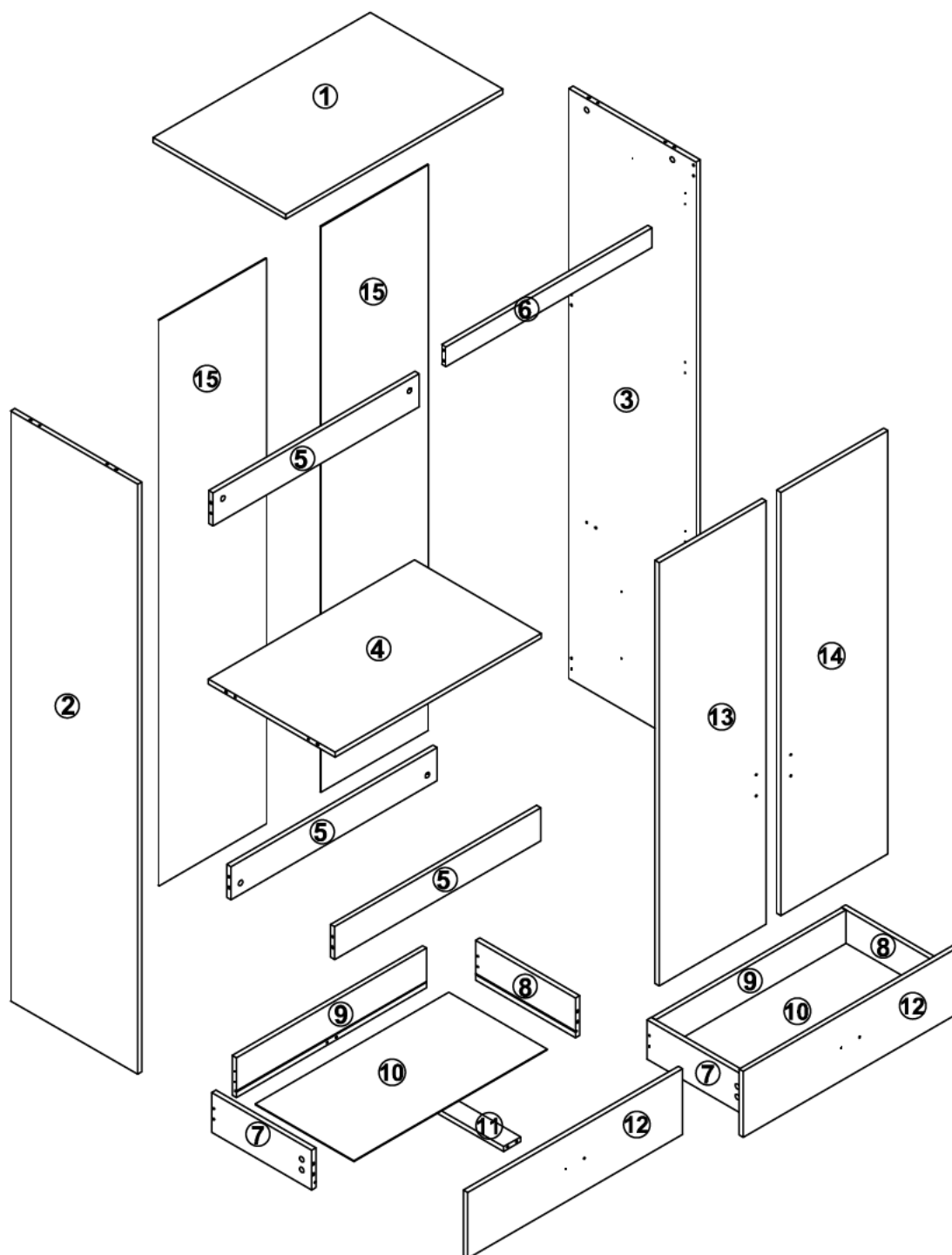
General Hints & Tips



Components and Tools

IMPORTANT - Please Check If You Have All The Components and Tools.

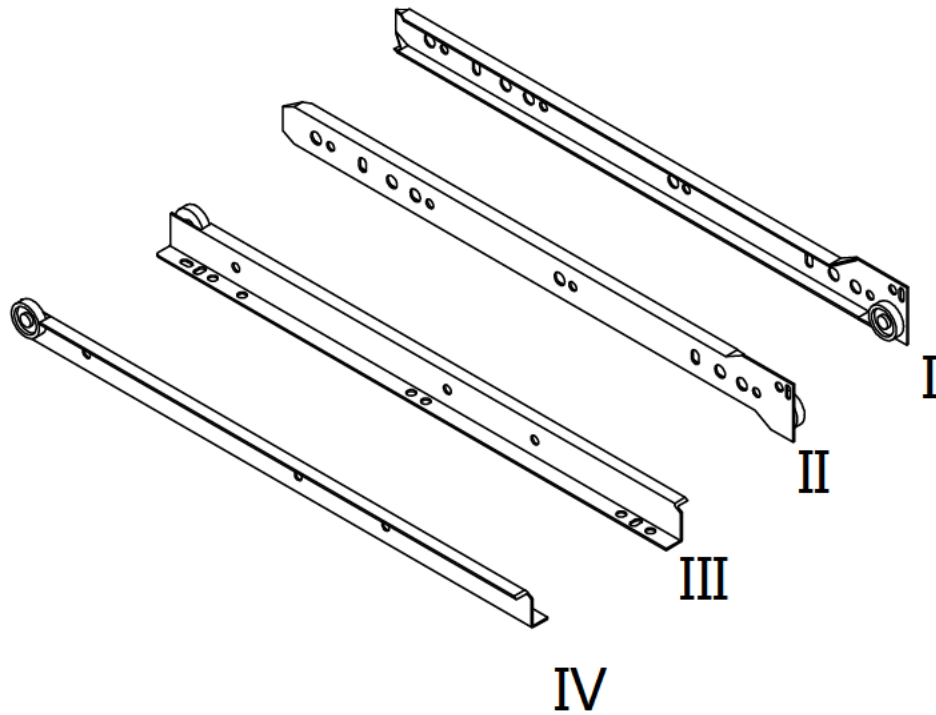
Note: The quantities below are the correct amount to complete the assembly. In some cases more pieces may be supplied than are required.



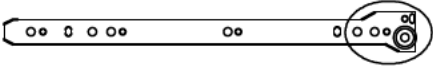
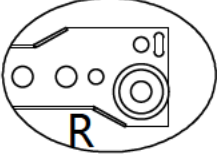
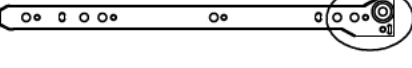
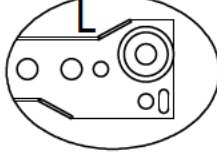

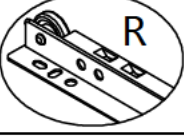

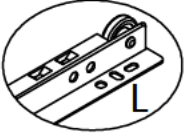
Drawer Runner Instruction

IMPORTANT - Please Read It Carefully.

NOTE:1 PAIR DRAWER RUNNER INCLUDES 4 PIECES.




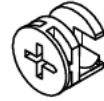
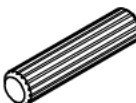





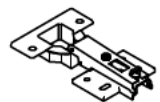




Fittings (not to scale)

NO.	DESCRIPTION	QTY		
I	Outer Drawer Runner - Right	2PCS		
II	Outer Drawer Runner - Left	2PCS		
III	Inner Drawer Runner - Right	2PCS		
IV	Inner Drawer Runner - Left	2PCS		

Components and Tools

IMPORTANT - Please Check If You Have All The Components and Tools.

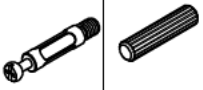
Note: The quantities below are the correct amount to complete the assembly. In some cases more pieces may be supplied than are required.

<p>A=22</p>  <p>Peg M6*34mm</p>	<p>B=22</p>  <p>Lock M15*12mm</p>	<p>C=26</p>  <p>Dowel M6*30mm</p>	<p>D=4</p>  <p>Handles</p>	<p>E=8</p>  <p>Screw M4*18</p>	<p>F=54</p>  <p>Screw M3.5*14mm</p>
<p>G=22</p>  <p>Pin</p>	<p>H=4</p>  <p>Plastic Feet</p>	<p>I=6</p>  <p>Door Hinge</p>	<p>J=2</p>  <p>Clothes Holder</p>	<p>k=1</p>  <p>Clothes Bar</p>	<p>L=2</p>  <p>Runner</p>
<p>M=8</p>  <p>Screw M4*38</p>					

Assembly Instruction

Step 1

A=5 C=2



Peg Dowel

F=5 J=1

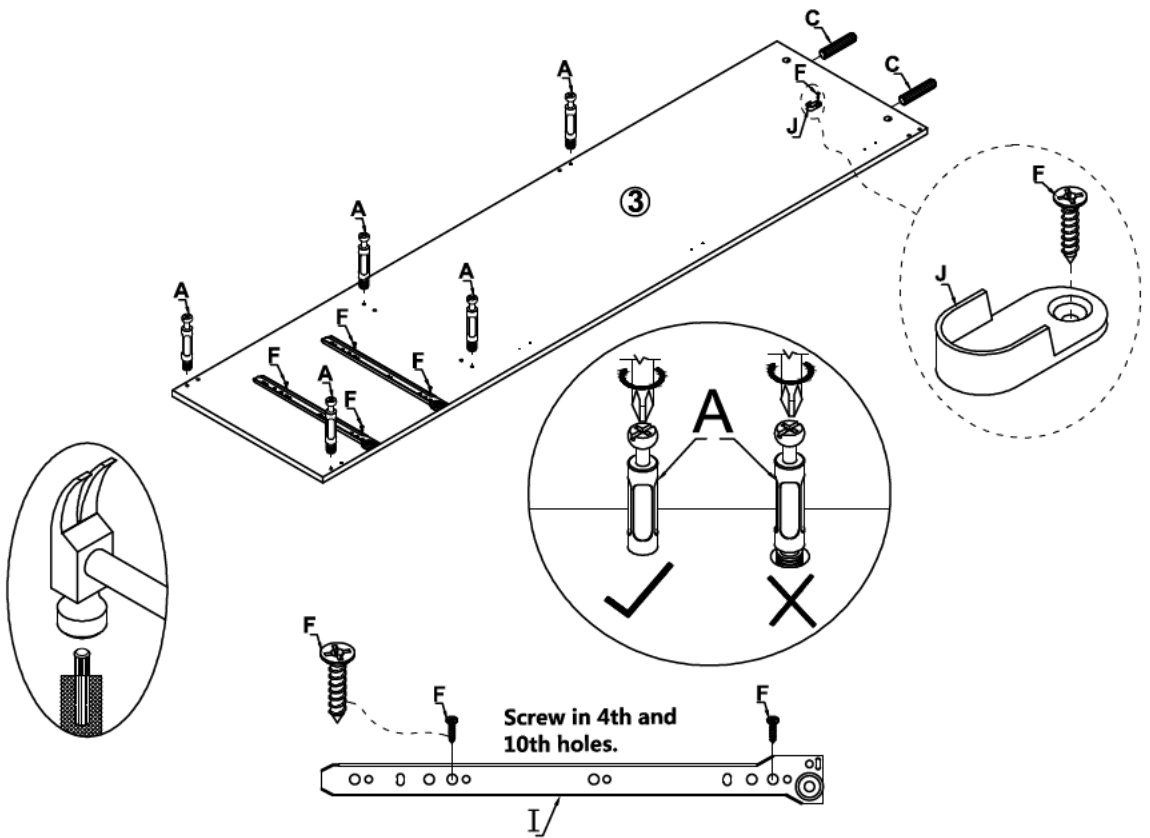


Screw Clothes Holder

L=2

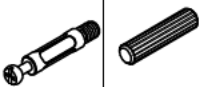


I- Right



Step 2

A=5 C=2



Peg Dowel

F=5 J=1

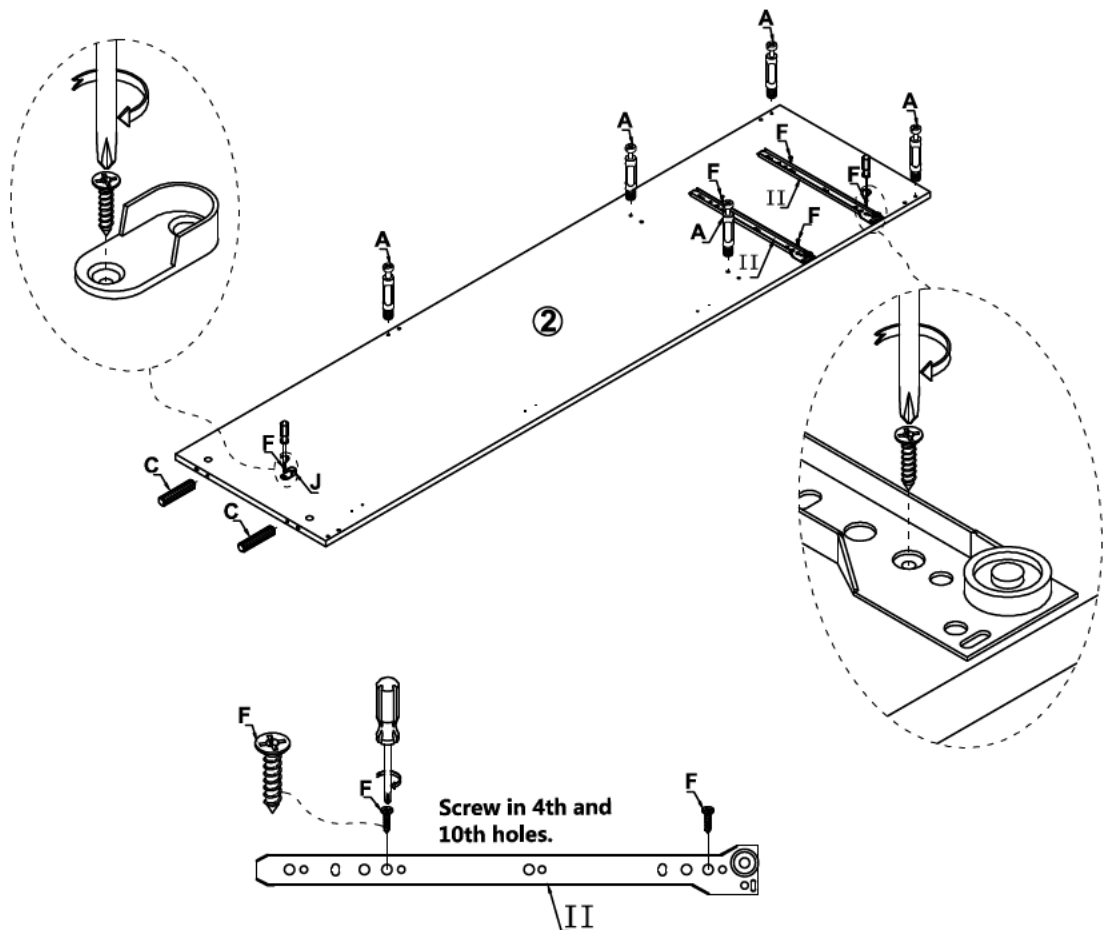


Screw Clothes Holder

L=2



II - Left

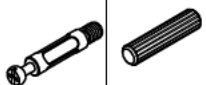


Assembly Instruction

Step 3

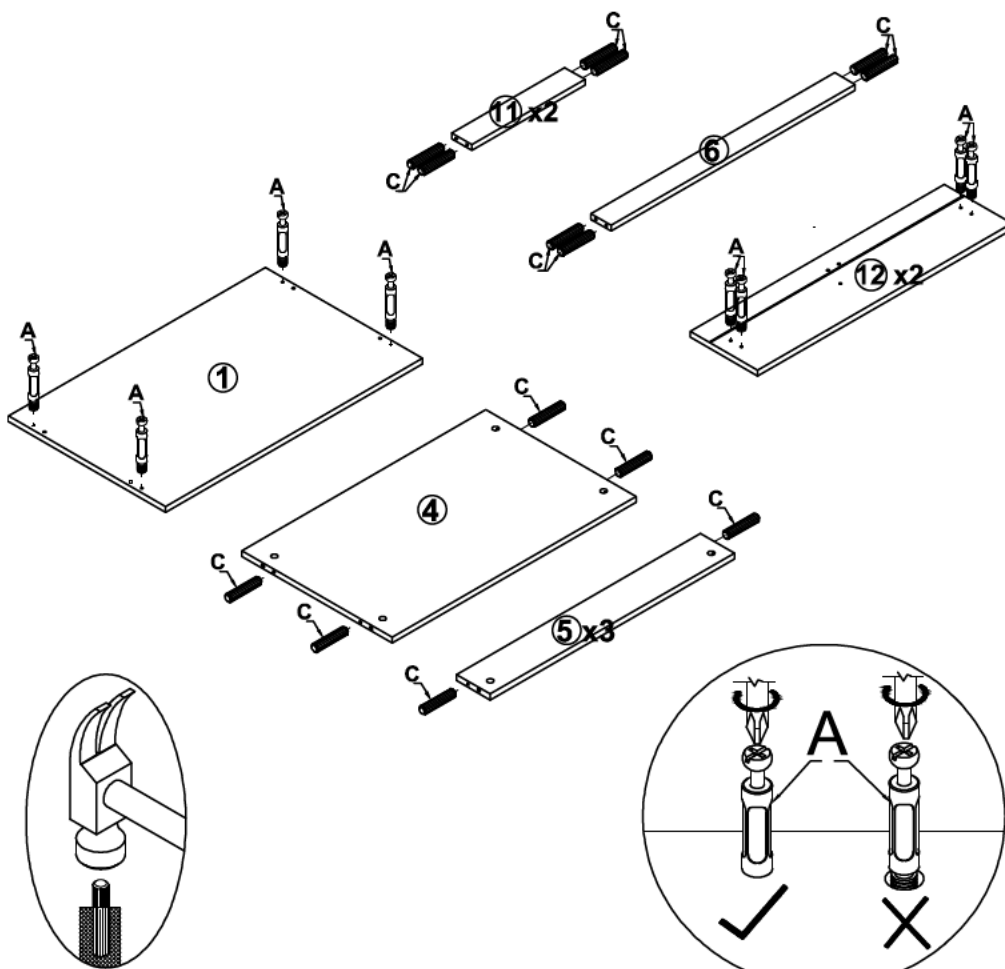
A=12

C=22



Peg

Dowel



Step 4

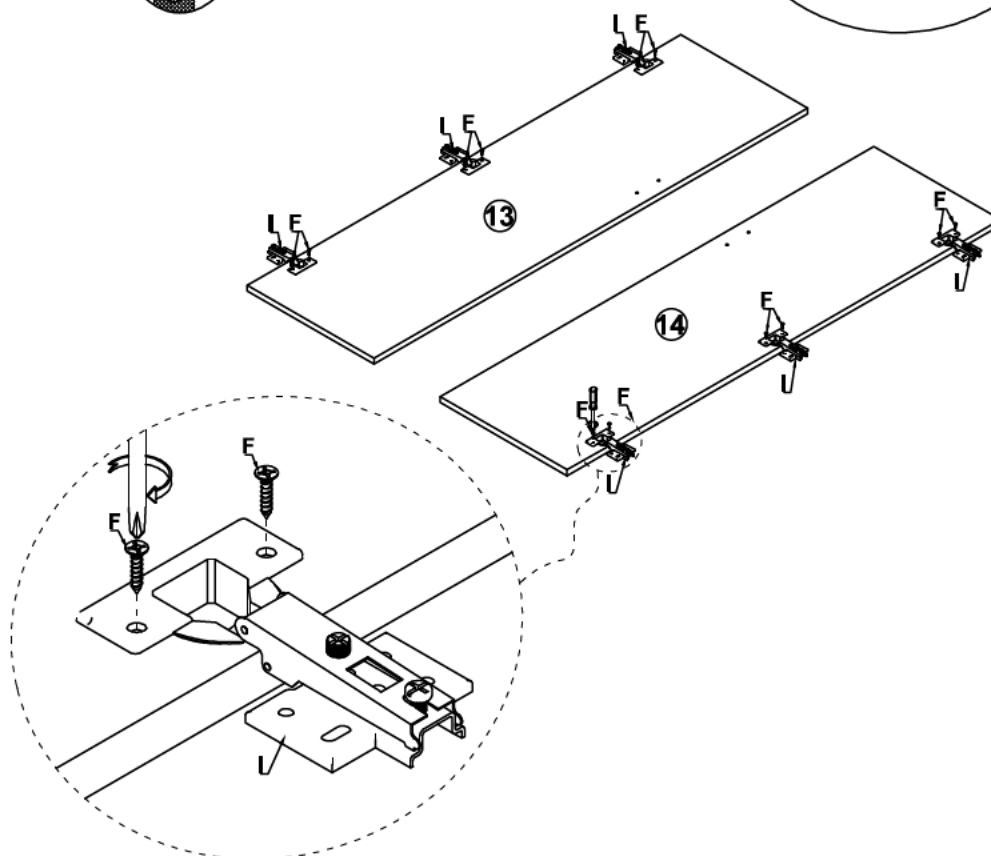
I=6

F=12



Door Hinge

Screw M3.5*14mm



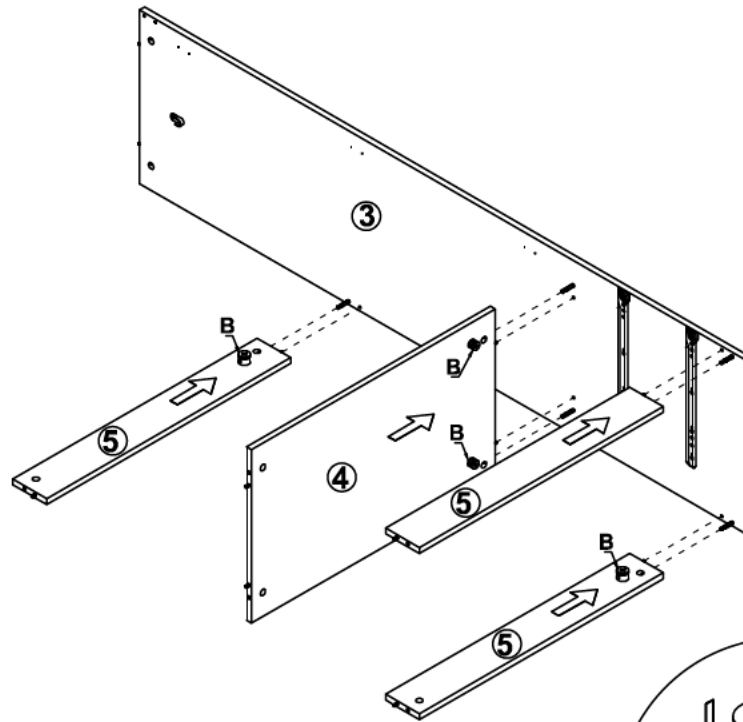
Assembly Instruction

Step 5

B=5



Lock

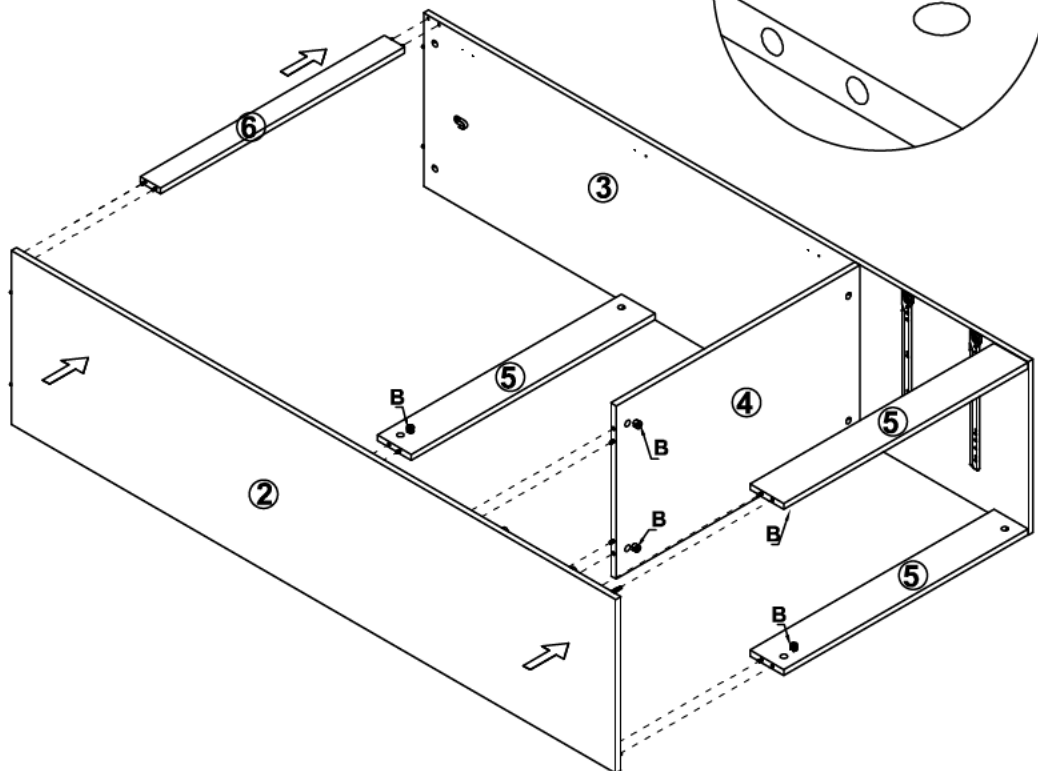


Step 6

B=5



Lock



Assembly Instruction

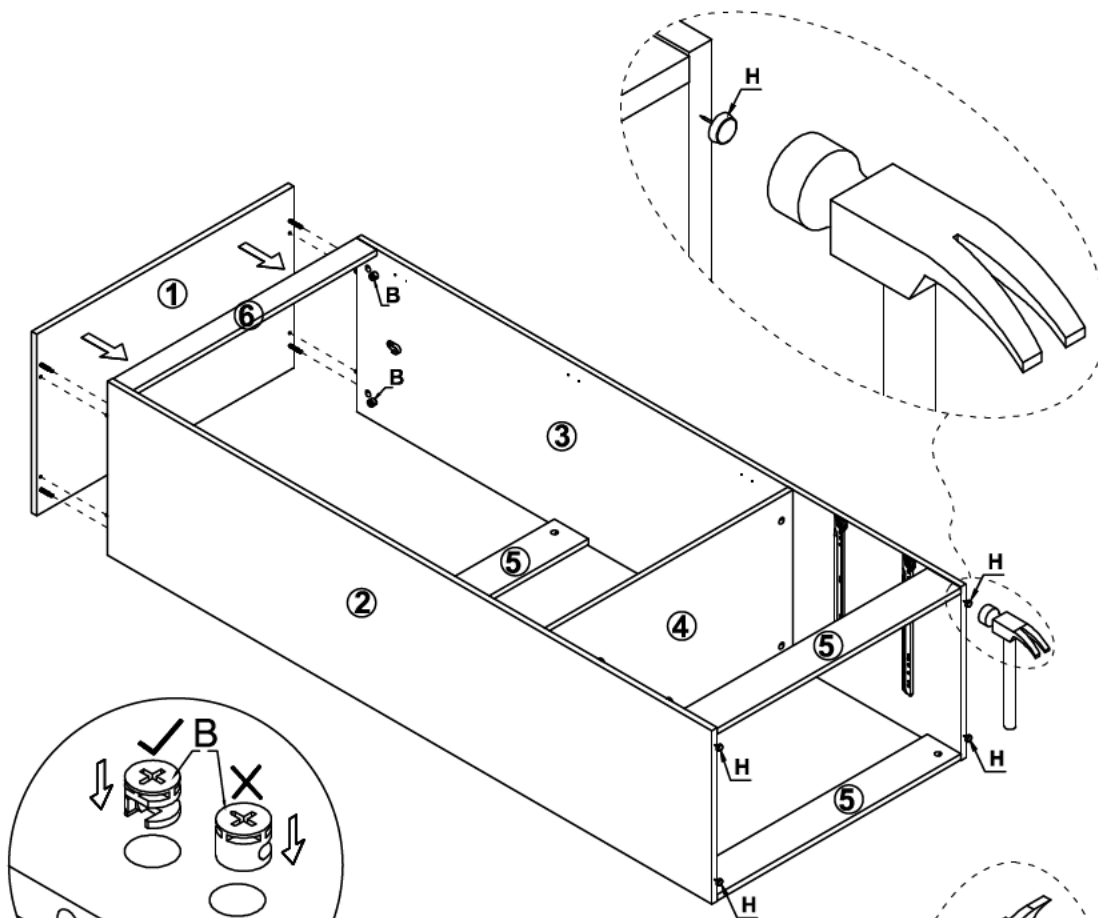
Step 7

B=4 H=4



Lock

Plastic Feet

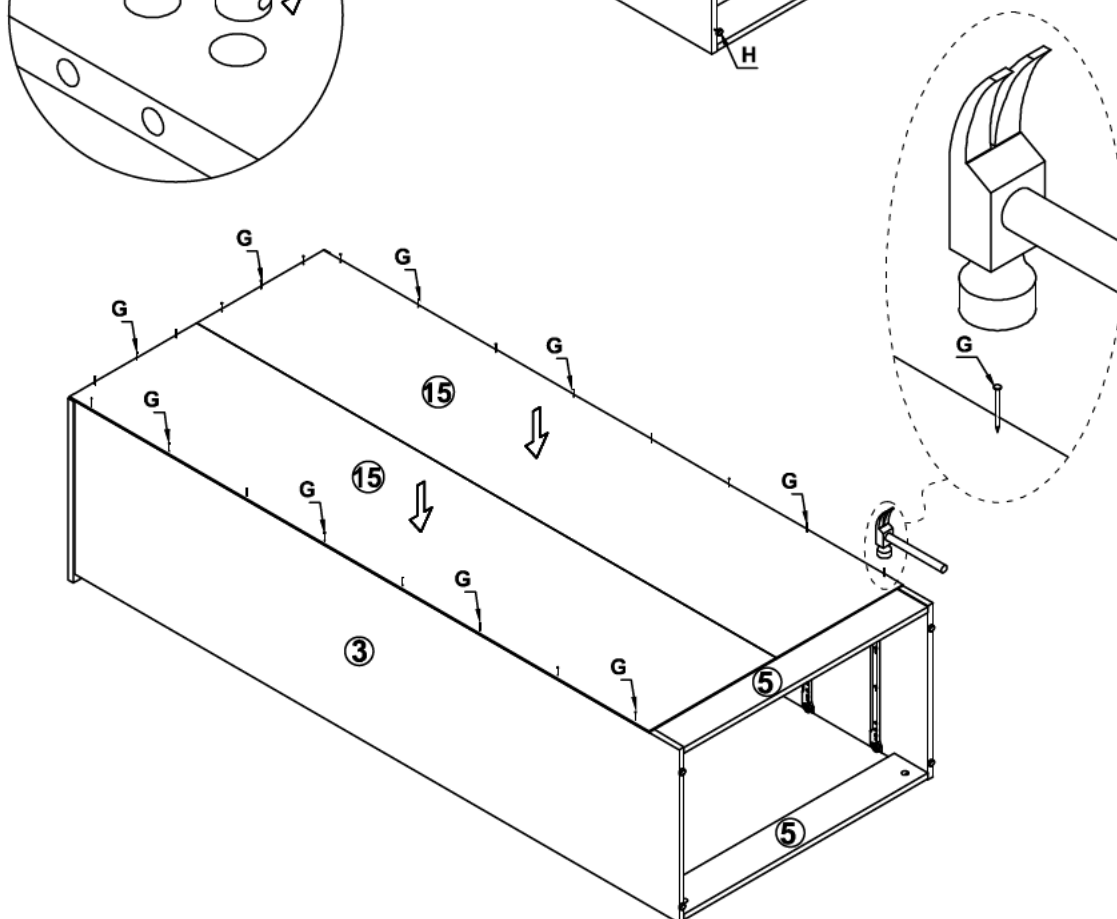


Step 8

G=22



Pin



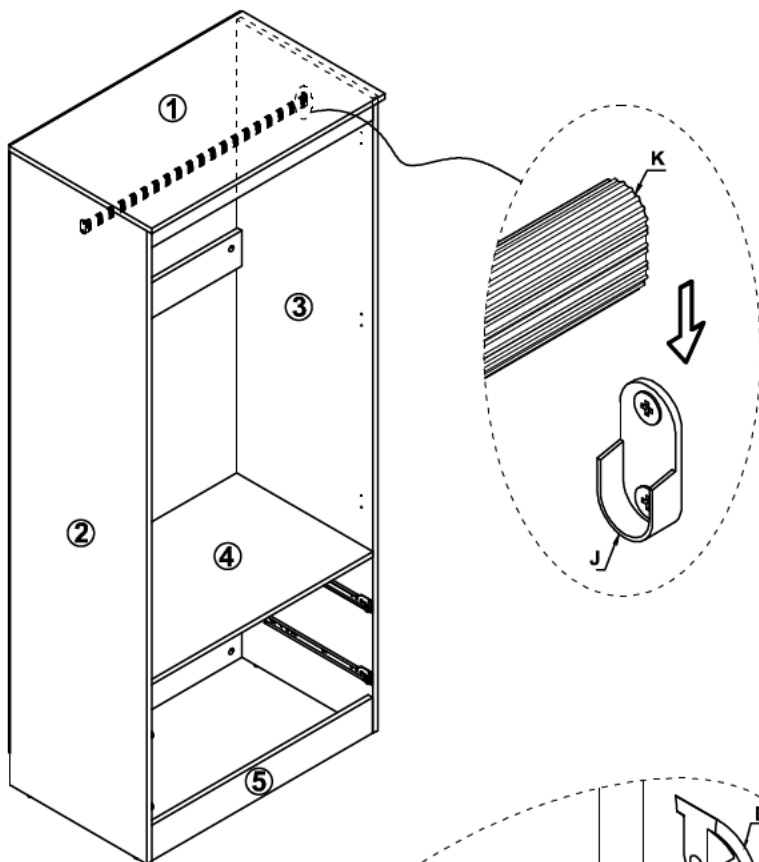
Assembly Instruction

Step 9

K=1



Clothes Bar



Step 10

D=2

E=4



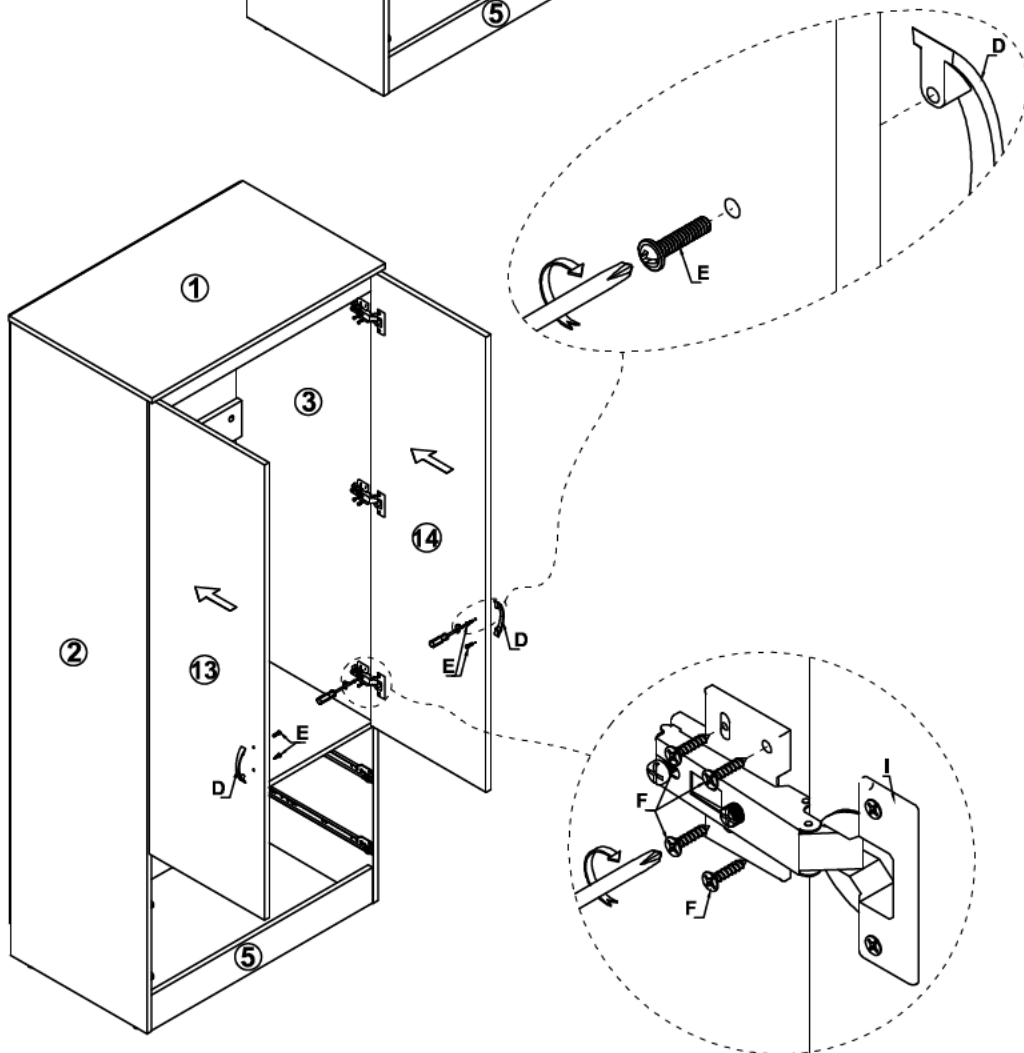
Handles

Screw
M4*18

F=24



Screw
M3.5*14mm



Assembly Instruction

Step 11

B=8 M=8



Lock

Screw
M4*38

D=2

E=4



Handles

Screw
M4*18

L=2

L=2



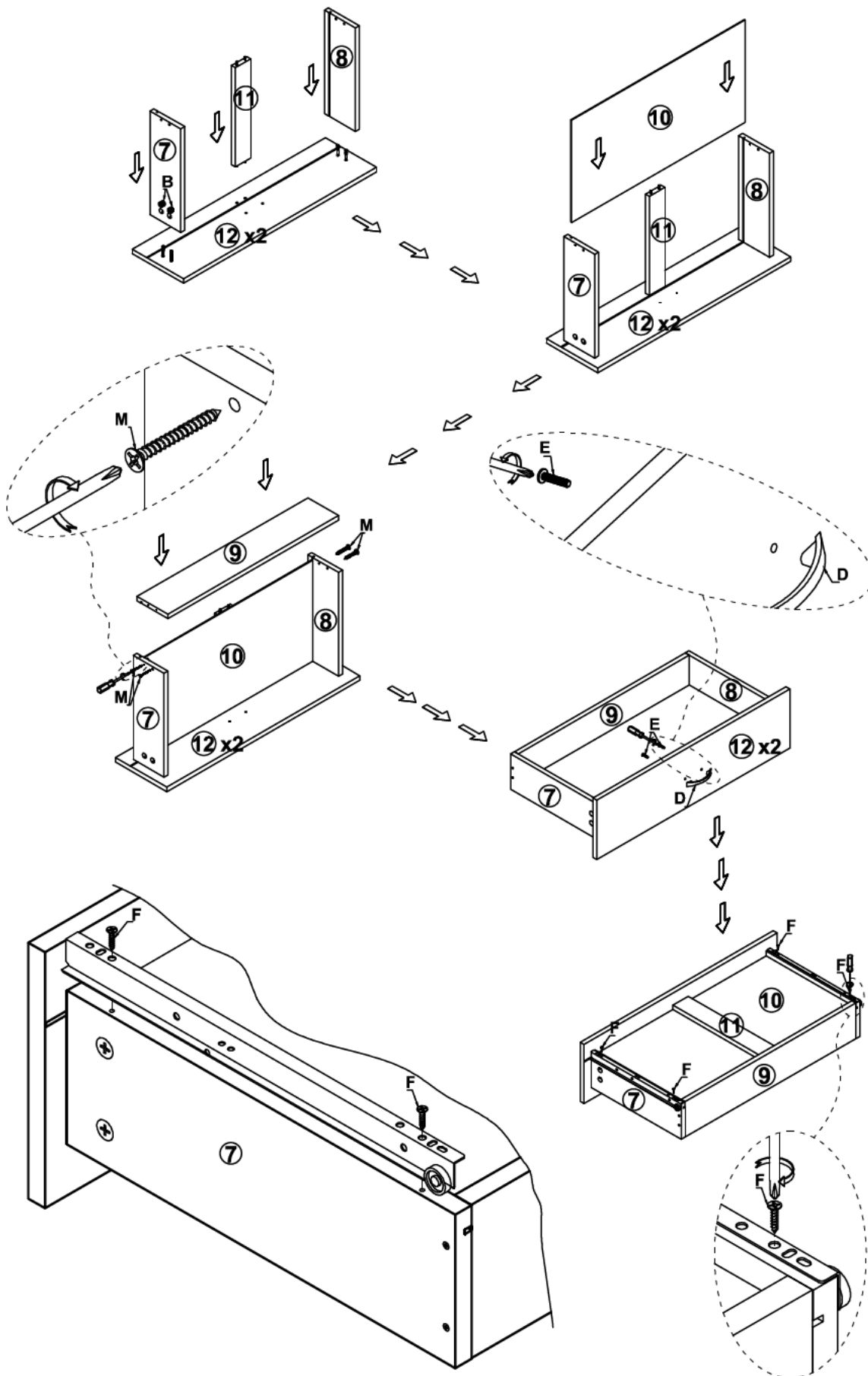
Right

Left

F=8

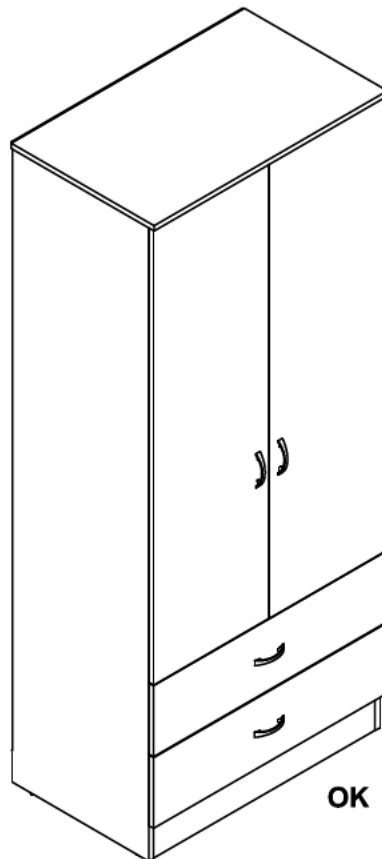
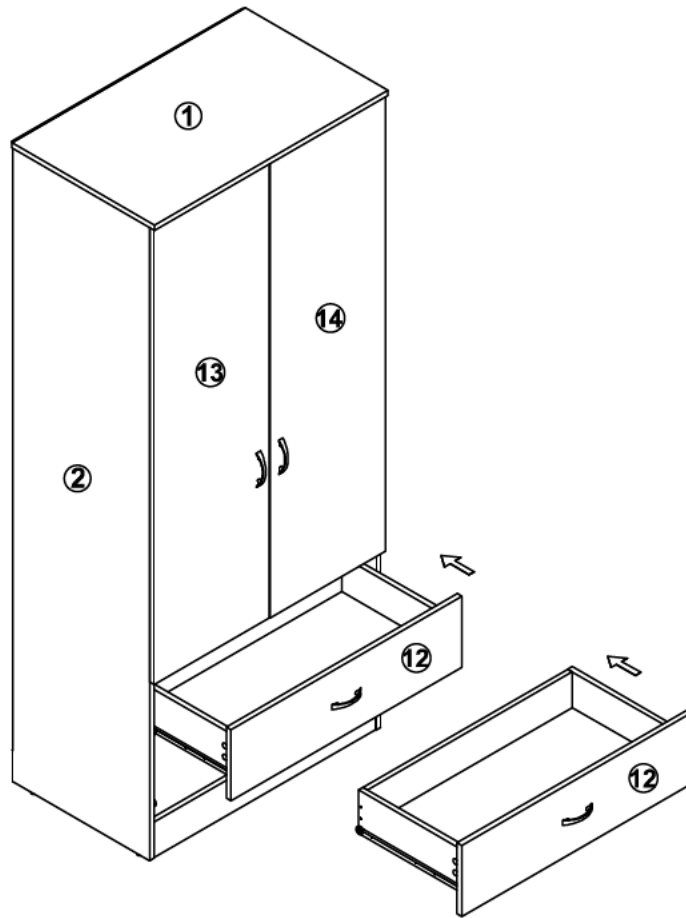


Screw
M3.5*14mm



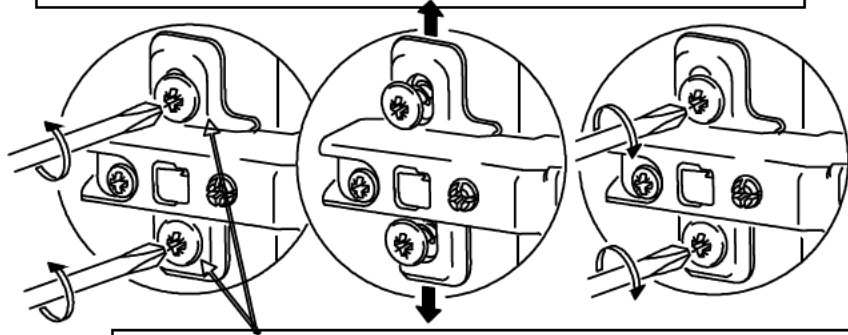
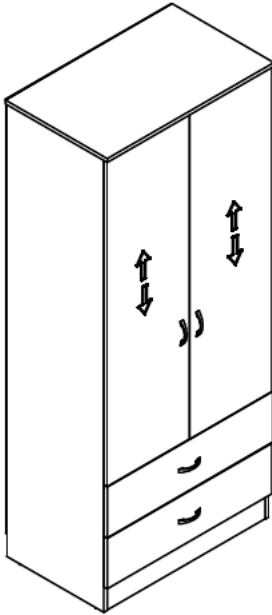
Assembly Instruction

Step 12

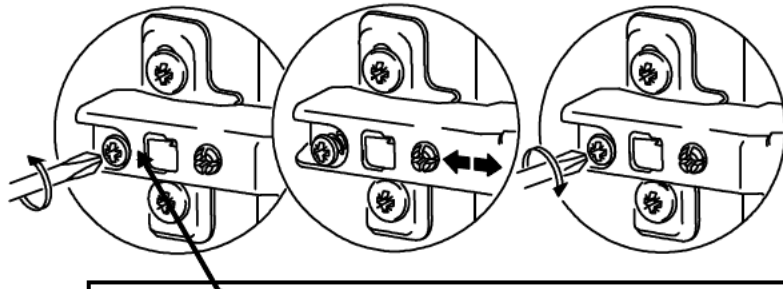
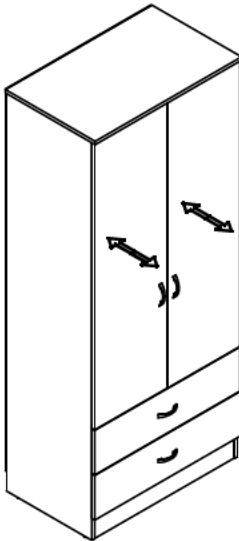




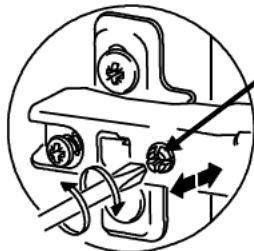
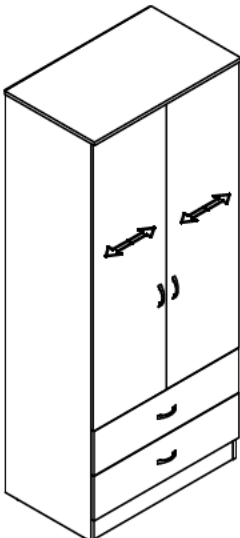
Customer Attention:
To Align Doors & Control Gap In Between Doors.
Product doors may need adjusting during & after
assembly or once wardrobe contains clothing.
This can be done by adjusting appropriate screws.
See below illustration.



Vertical Door Adjustment:
Loosening both screws on all hinges and lift the door
to desired height. This allows an even space at the
top and bottom between door and wardrobe frame.



Lateral Door Adjustment:
If door is hinge bound, (rubbing on frame as you
close or open door) loosening screw shown and
move the door in appropriate direction. (In or out)



Horizontal Door Adjustment:
Rotate Screw clock wise or anti
clockwise. This
will produce an even gap between doors
and frame.