

Thank you for Shopping with us!

We hope we were able to provide your home with the perfect vanity. This vanity has been constructed with design, quality and functionality in mind. We hope you enjoy this new addition!

Your feedback is invaluable to us and we would love to hear about your experience. Please take the time to leave us a review.

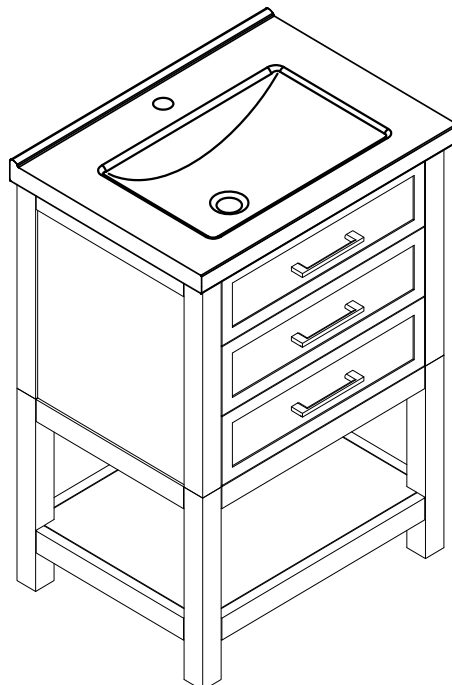
Have a Question?

Questions regarding your order?
Parts missing or broken?

Contact us at: info@sudiodesign.com

Want to learn more about your purchase?
Visit our website at www.sudiodesign.com/faq

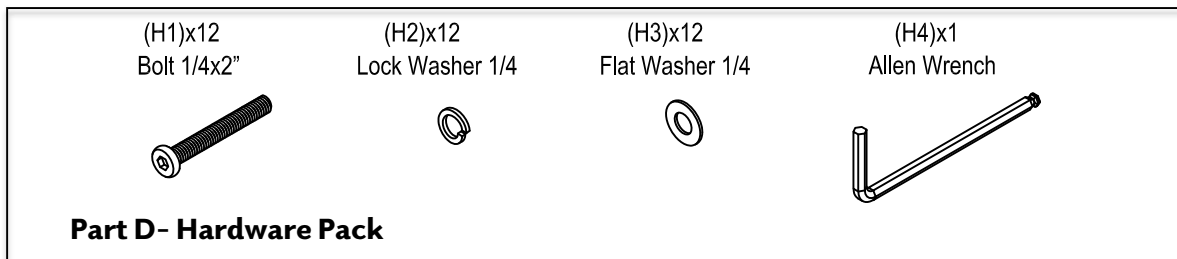
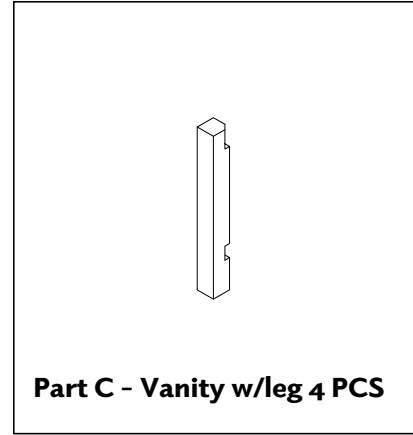
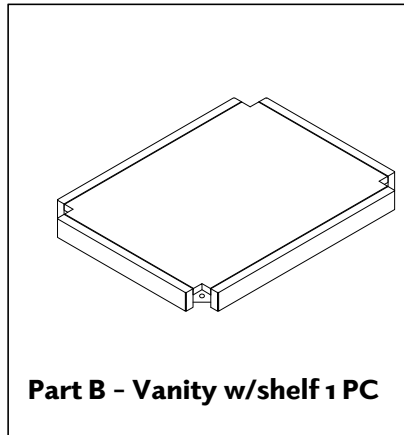
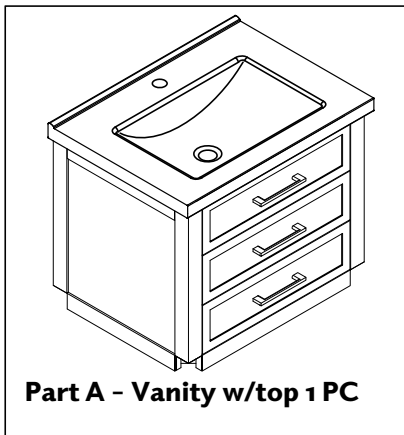
We encourage you to take a few minutes to go through this booklet. It contains important information on installation and care tips to keep your furniture looking as good as new.



Arlo 24" Bathroom Vanity

Before assembly and installation, please check and ensure you received the items in the below "Part List". Please report any missing items to your retailer immediately.

Part List



NOTES, ASSEMBLY AND INSTALLATION

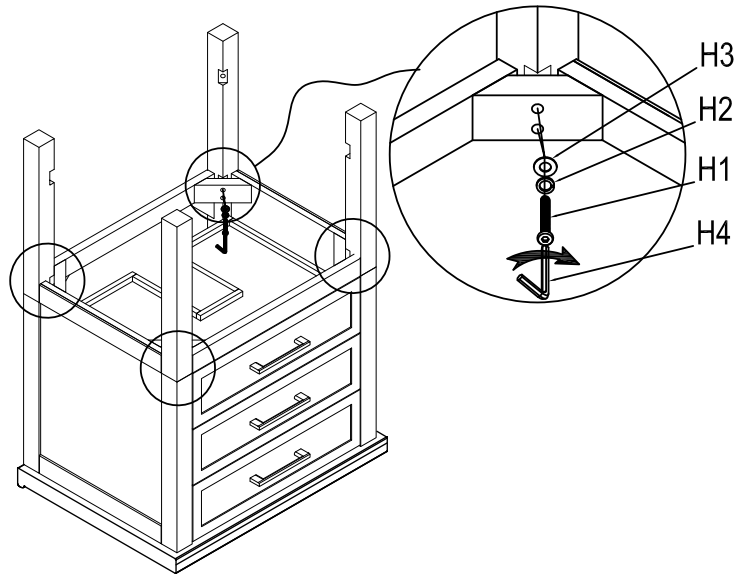
- Faucet, Drain, Silicone and all other plumbing components are not included.
- Handling will require two people.
- Ensure the vanity is installed on a level floor. Unevenness can cause the vanity to become misaligned, resulting in twisting of the cabinet. Balance any uneven areas by using the adjustable levelers.
- Ensure all building & plumbing codes are respected. Professional installation recommended.
- Follow below steps for assembly and installation.

Arlo 24" Bathroom Vanity

STEP 1:

- Place the vanity face down on a soft surface to begin assembly.
- Attach the four legs (part C) to the vanity using the enclosed 8 bolts (H1), 8 lock washers (H2) and 8 flat washers (H3). Secure the legs to the vanity using the Allen wrench (H4) as pictured on the right.

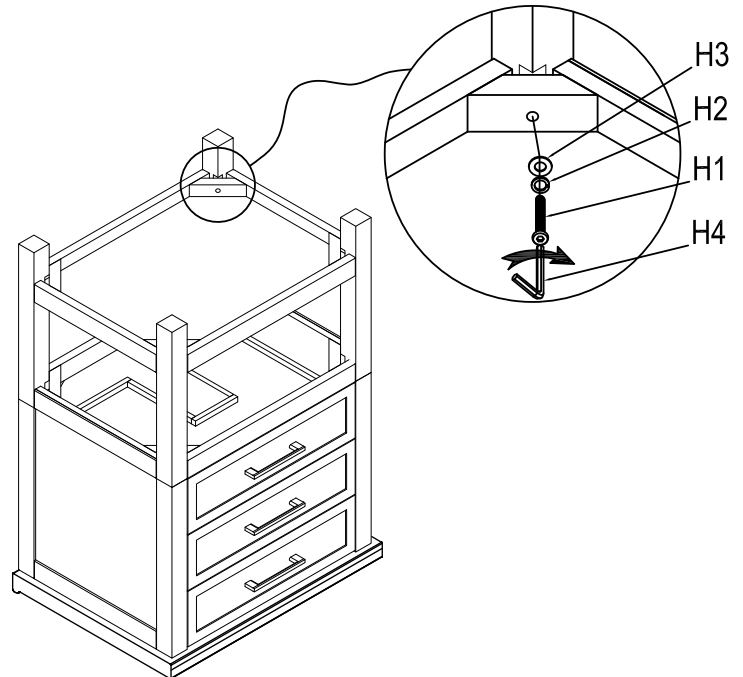
Step 1



STEP 2:

- To attach the shelf (B) to the vanity with the assembled legs, align the bracket already attached on to the shelf with the existing holes in the installed legs.
- Using the 4 bolts (H1), 4 lock washers (H2) and 4 flat washers (H3) enclosed, secure the shelf to the installed legs on the vanity using the Allen wrench (H4) as pictured on the right.

Step 2



STEP 3

- Place the vanity in the desired location and ensure the vanity is level using the adjustable levelers.
- Install the faucet and all plumbing.
- Ensure there are no water leaks.

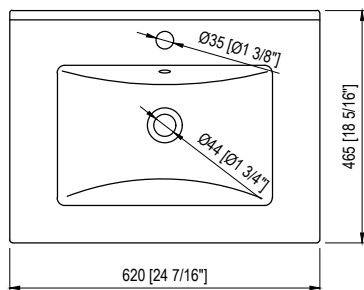
Arlo 24" Bathroom Vanity

CARE, CLEANING AND MAINTENANCE

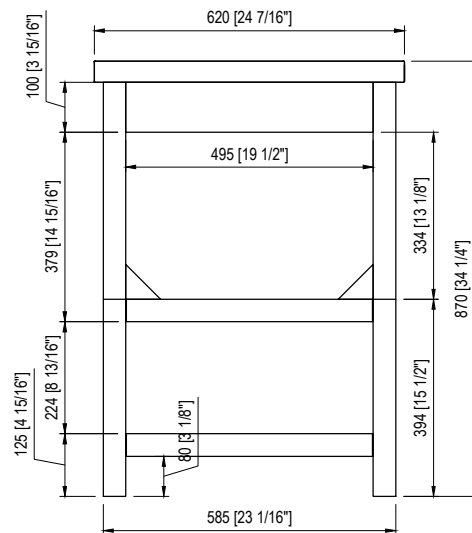
- Dust regularly with a soft, dry cloth.
- Avoid the use of all chemicals, household cleaners, abrasives or cleaners that contain lemon, vinegar or other acids that may damage finish.
- Excessive exposure to sunlight and extreme changes in temperature and moisture can damage wood furniture.
- The porcelain sink is resilient, but care needs to be taken to preserve its appearance.
- Do not place hot appliances, such as curling irons and hot hair dryers directly on the countertop. Wipe spills immediately.

DIMENSIONS

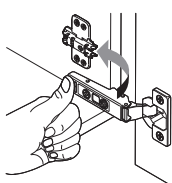
TOP VIEW



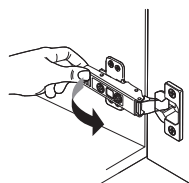
BACK VIEW



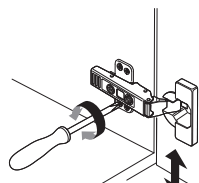
Adjust the hinges, if required.



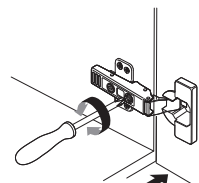
install



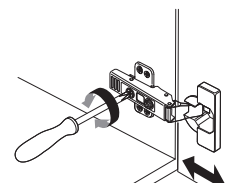
remove



adjust height



adjust laterally



adjust depth