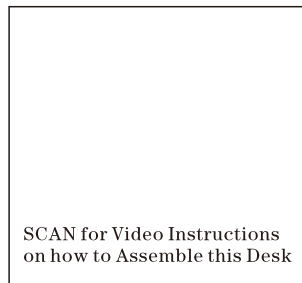
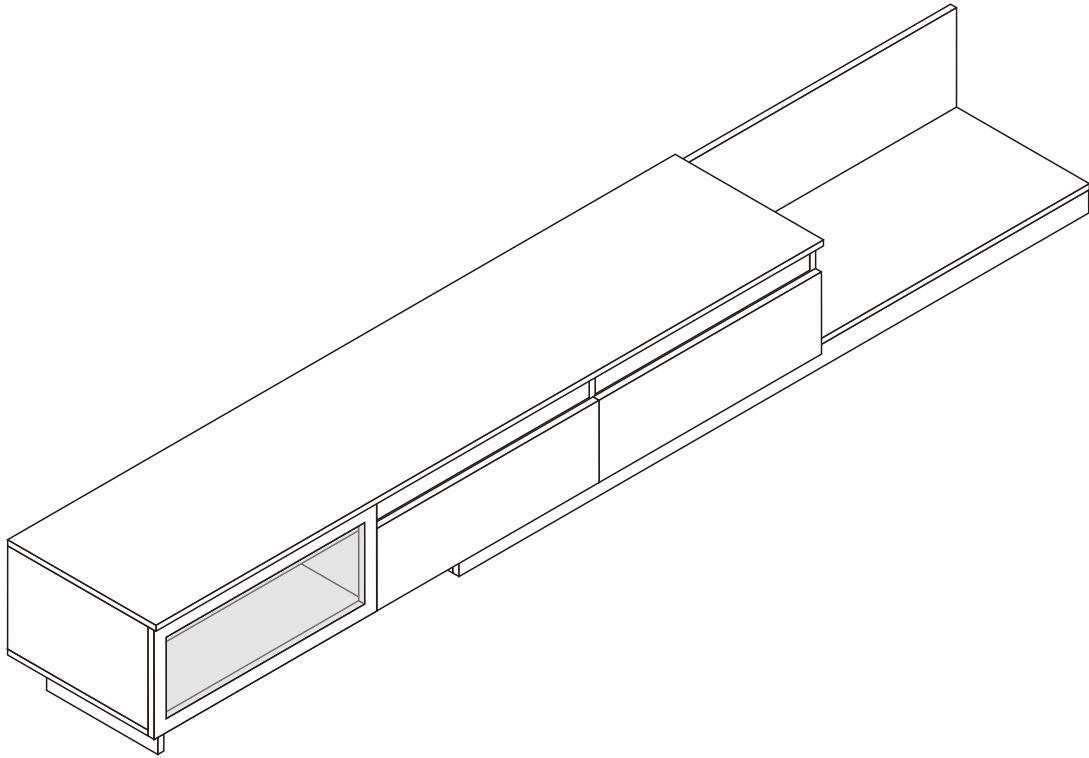


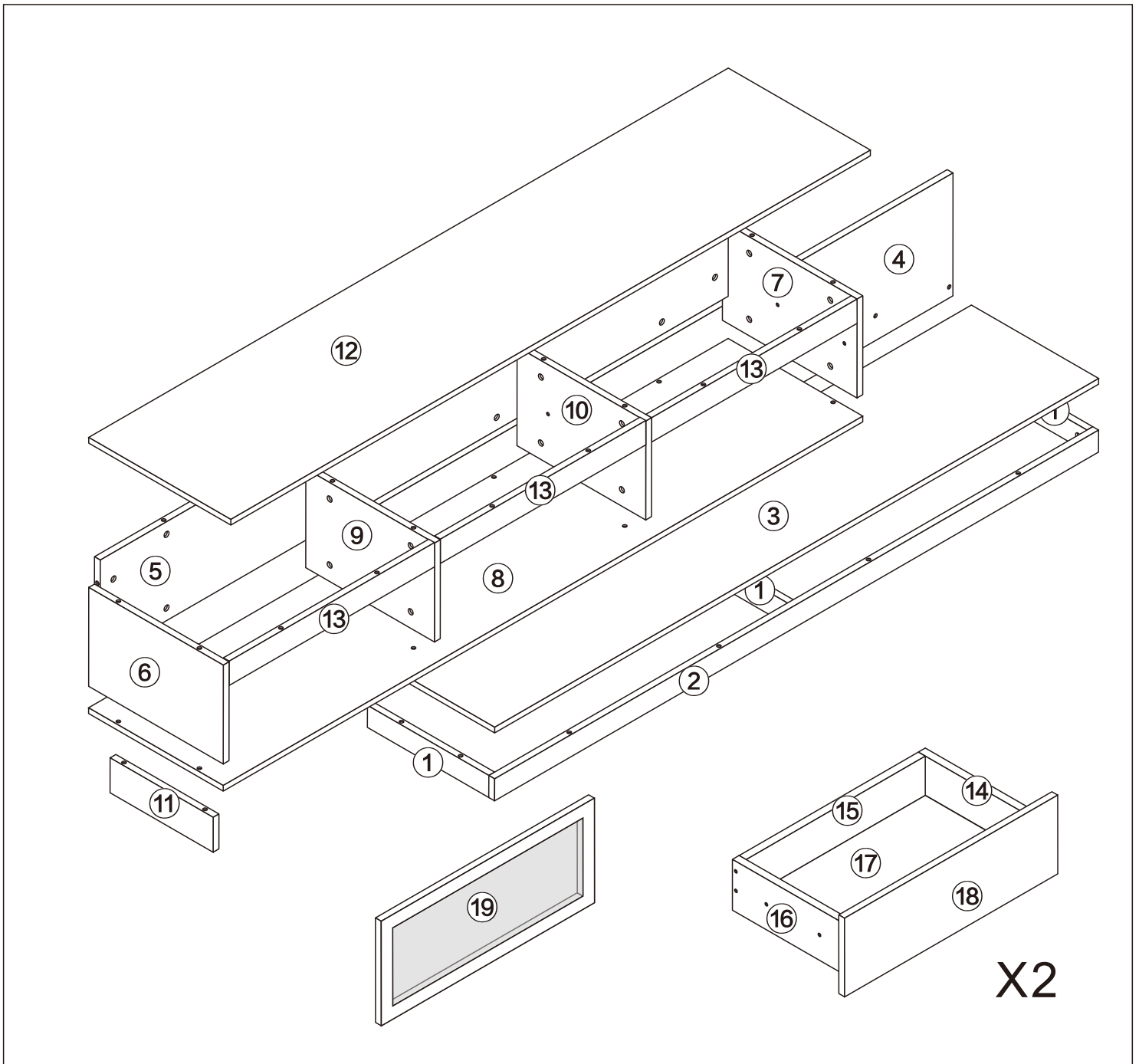
TV stand



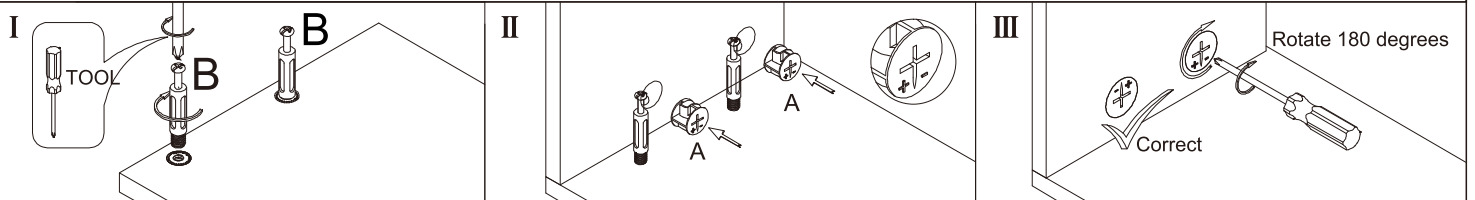
L1800/3400*W415*H340MM

Installation Instructions

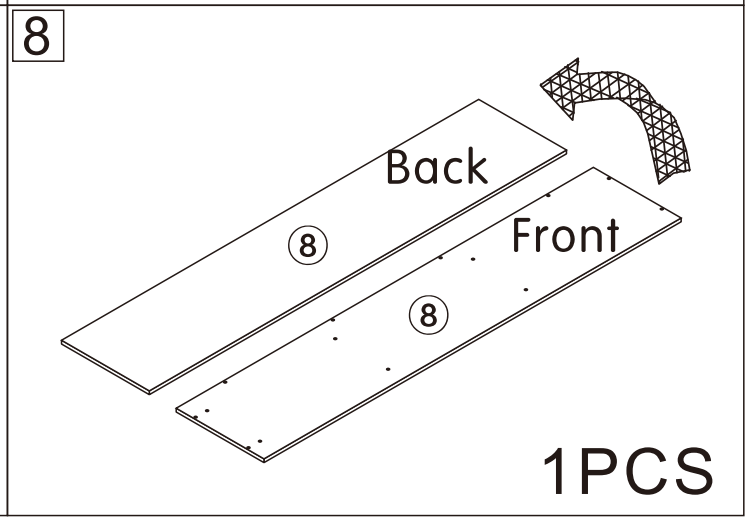
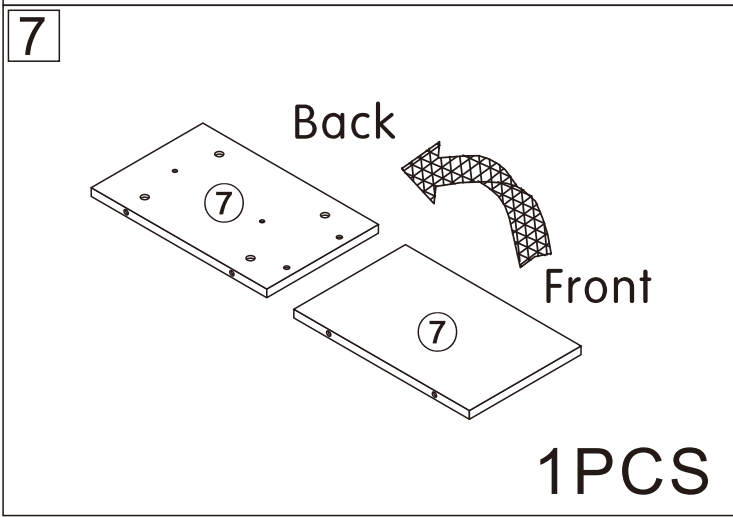
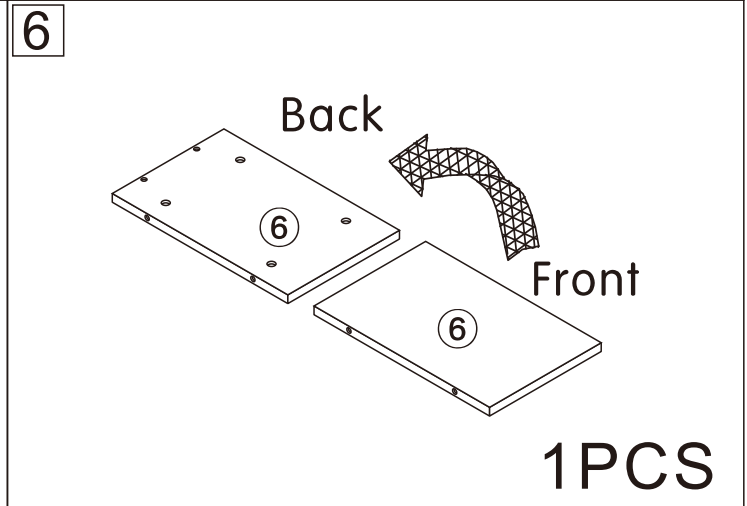
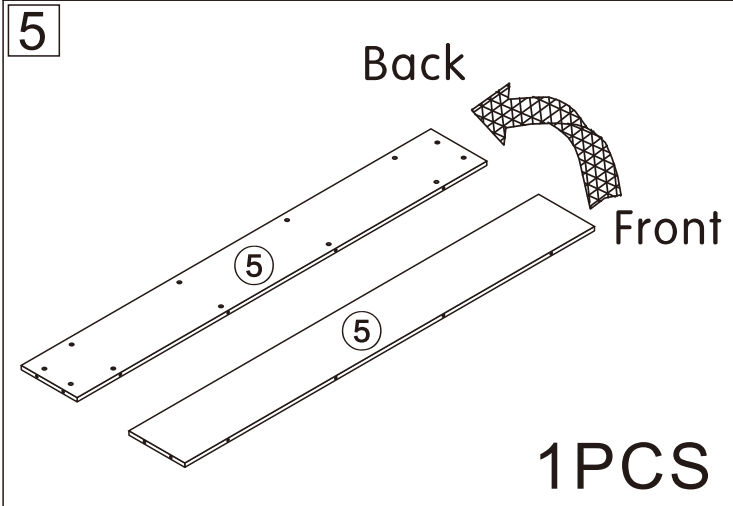
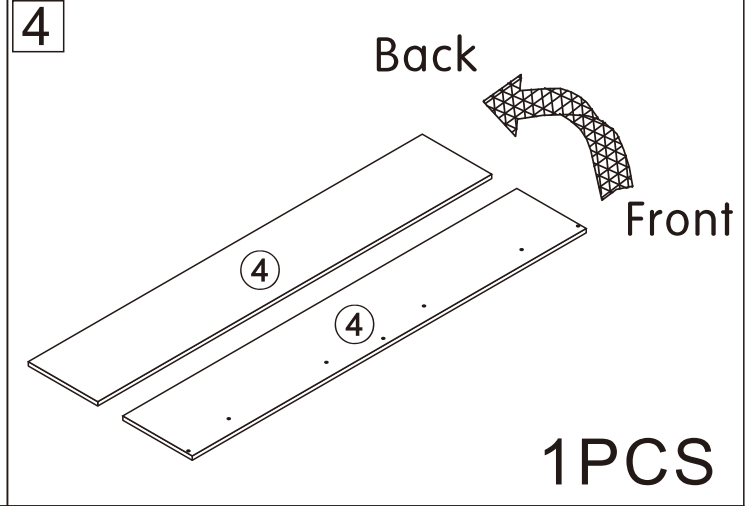
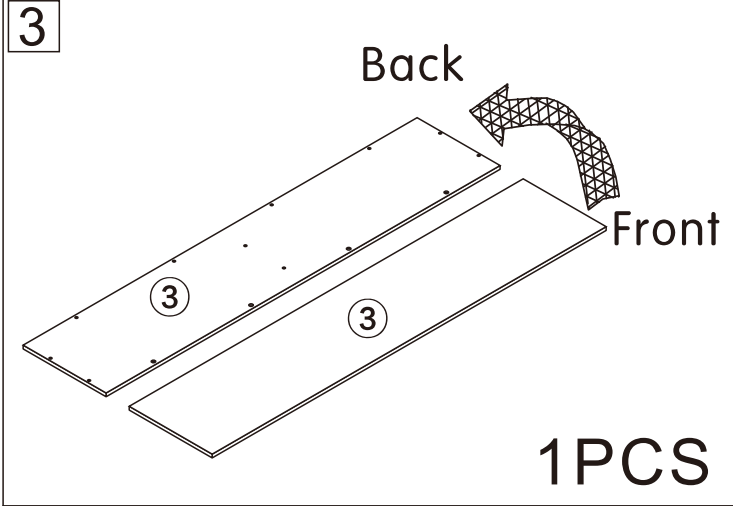
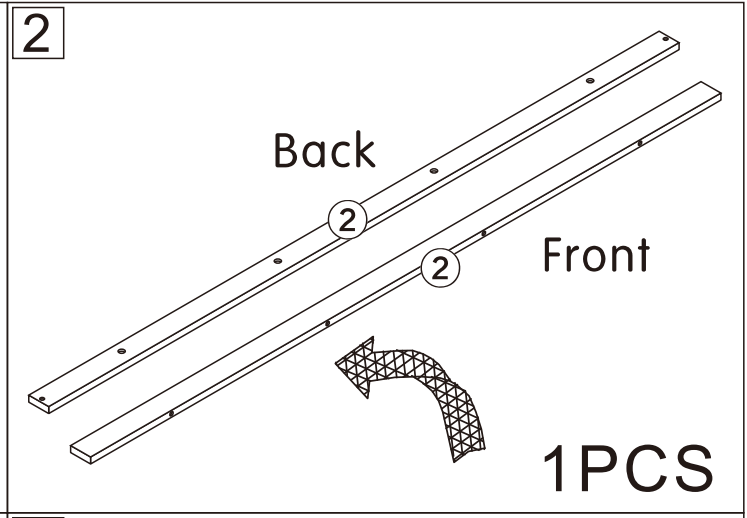
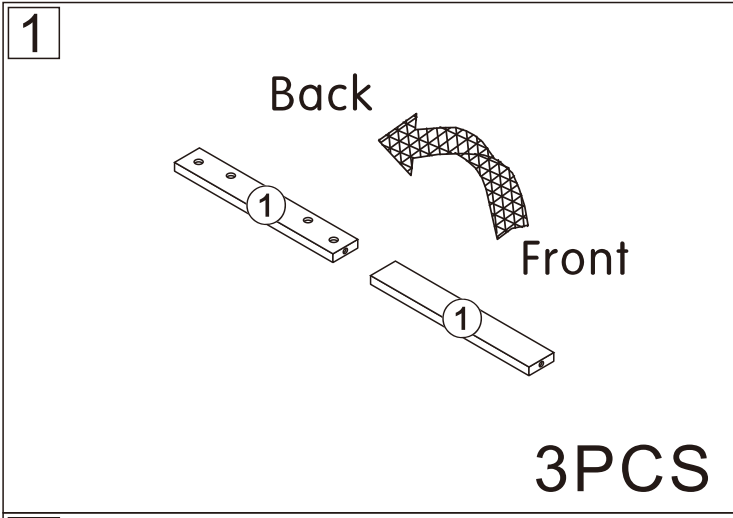
Notes: Don't tighten screws completely at first, just in case parts were assembled wrongly and need disassemble. Tighten screws at last when all parts are put together.

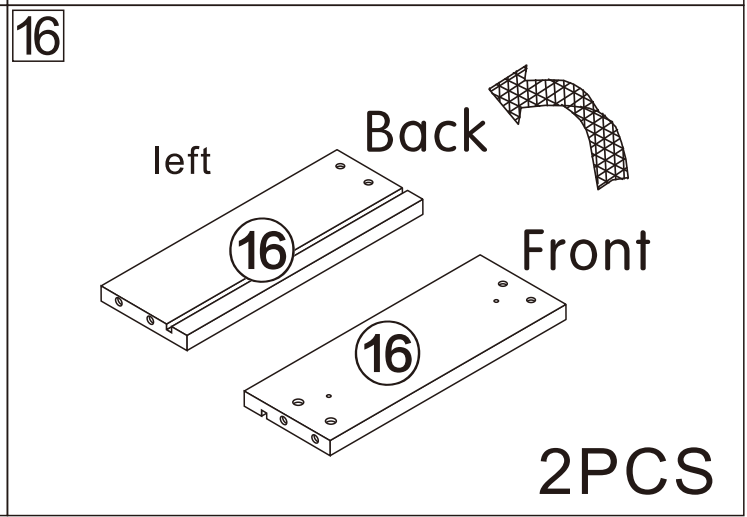
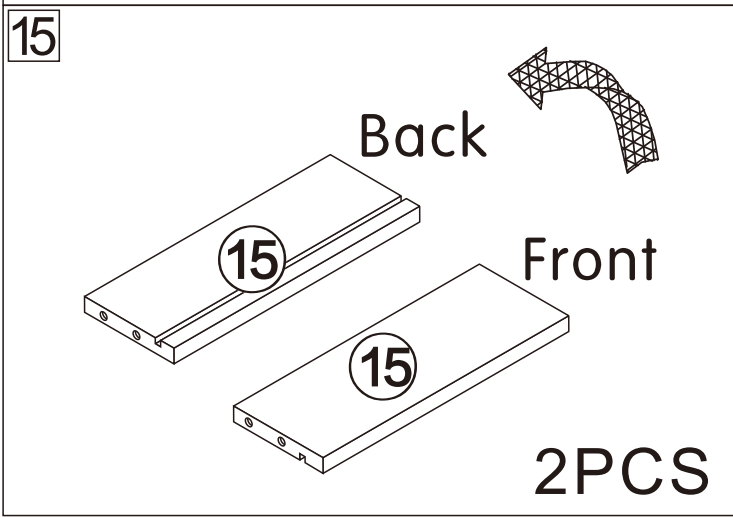
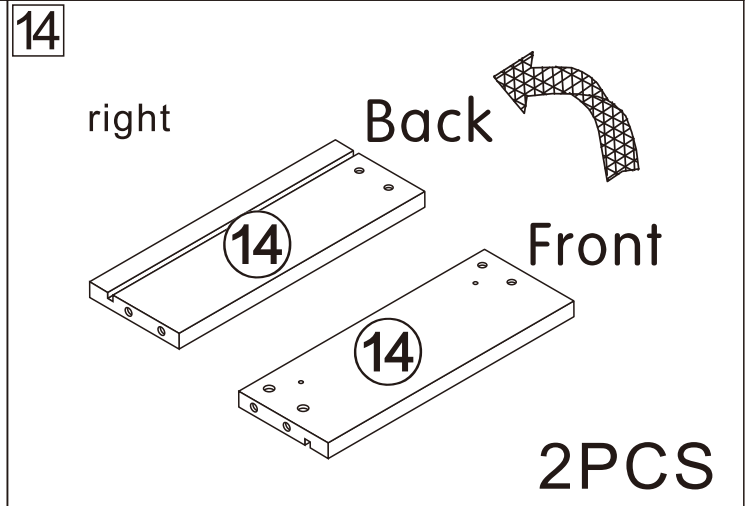
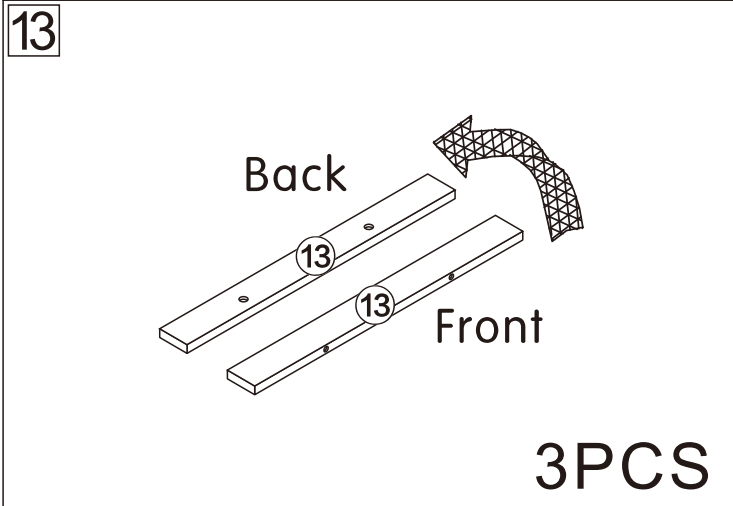
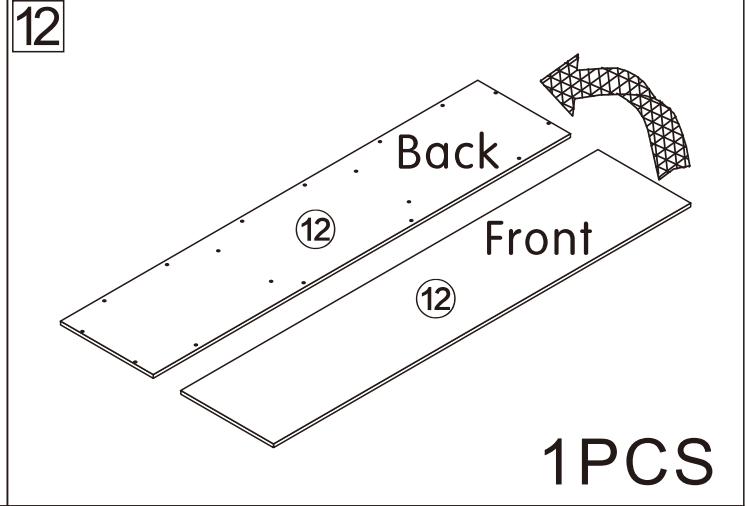
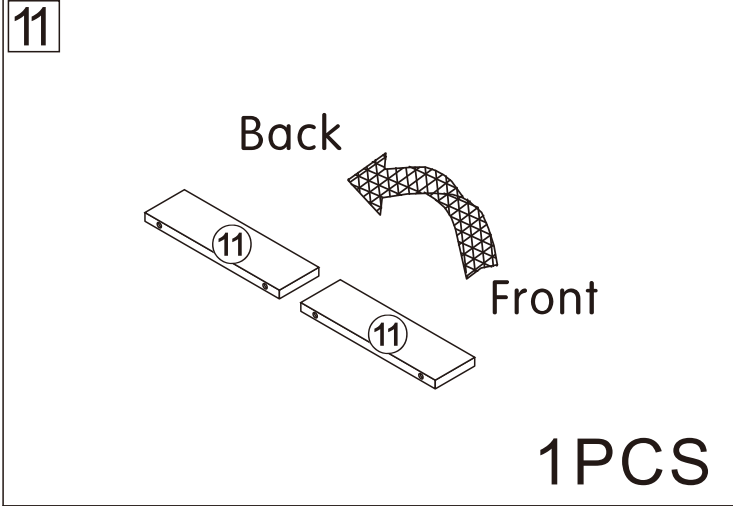
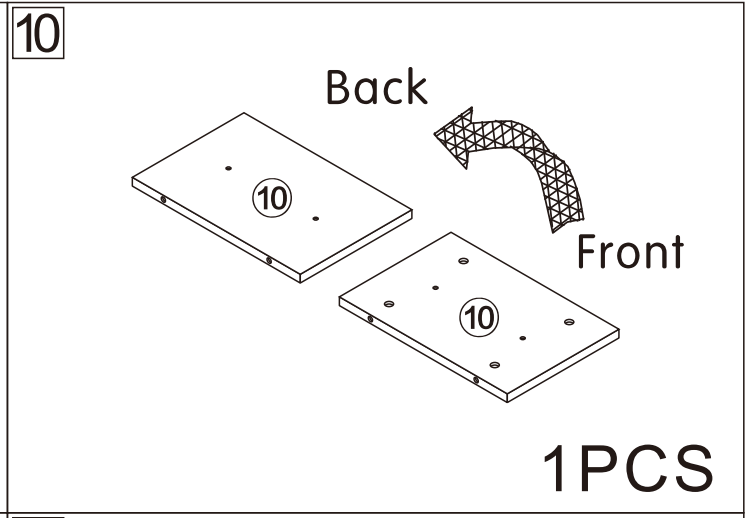
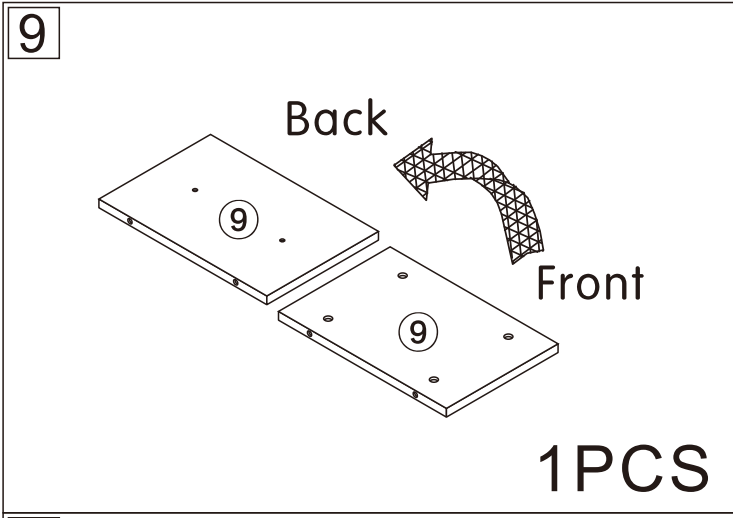


Disassembly and installation of accessories

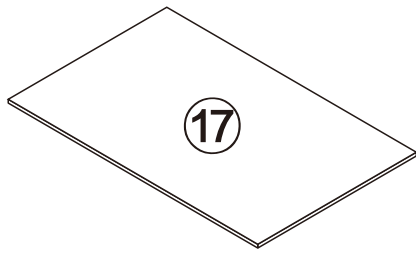


A 62PCS 15*10mm	B 62PCS 6*28mm	C 36PCS 3.5*14mm	D 8PCS 3.5*40mm	E 4PCS 	F 2PCS 6X25mm	 Tools Recommended
G 2PCS 	H 2PCS left right 	I 4PCS 4*12mm	J 16PCS 			



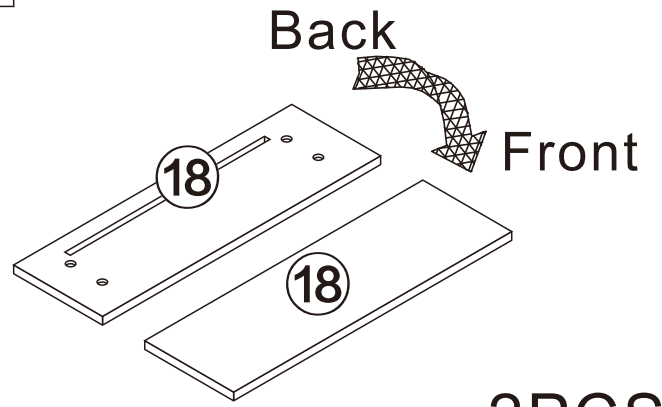


17



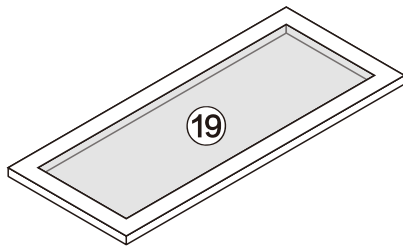
2PCS

18



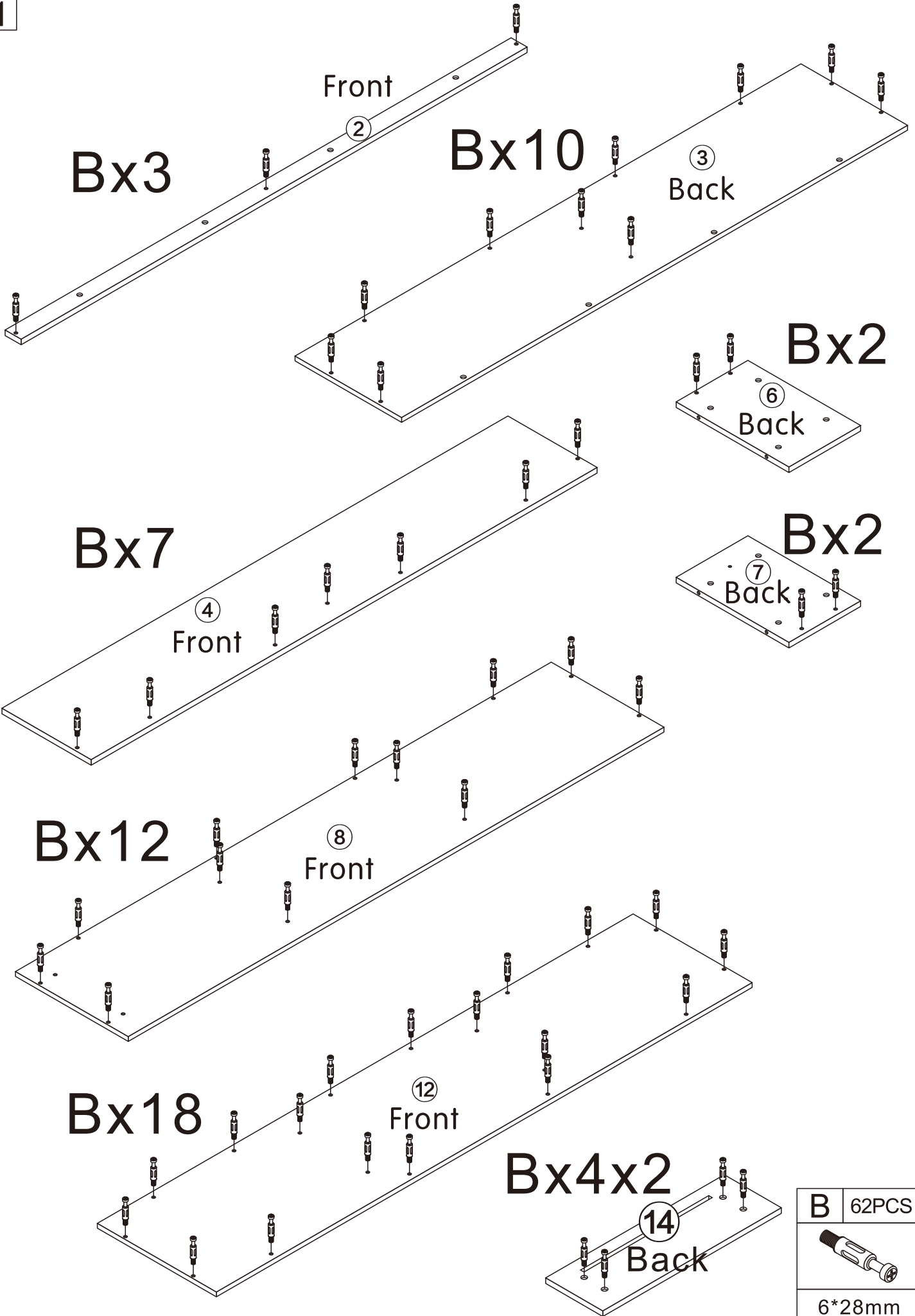
2PCS

19



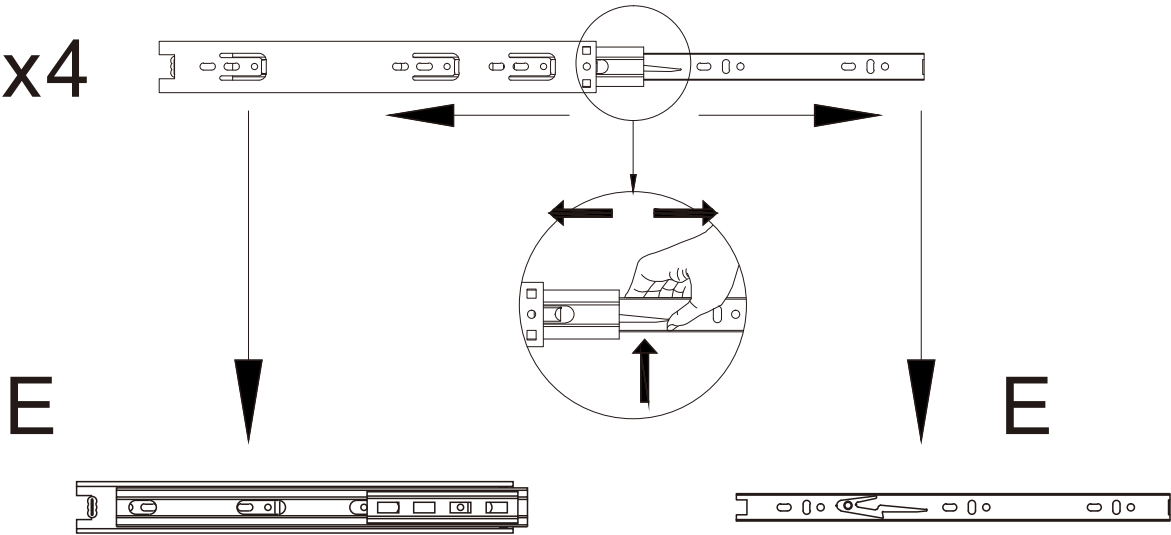
1PCS

1



2

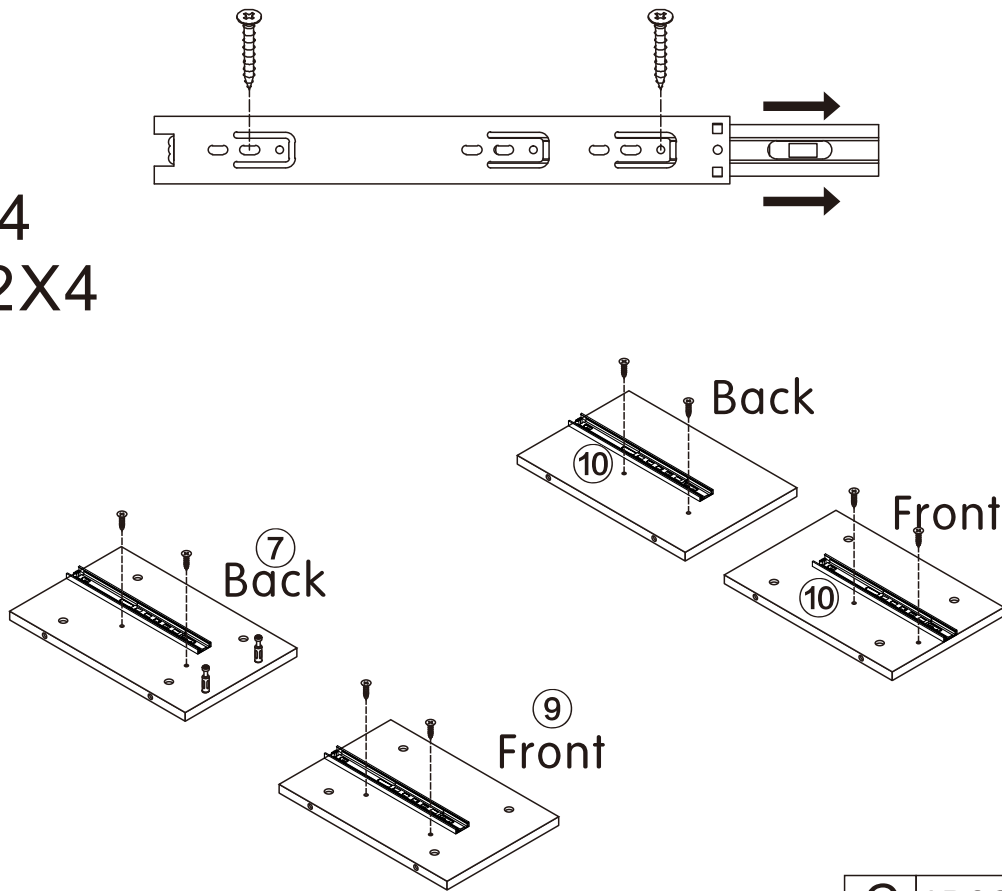
Ex4



E	4PCS
Three-section Rail	

3

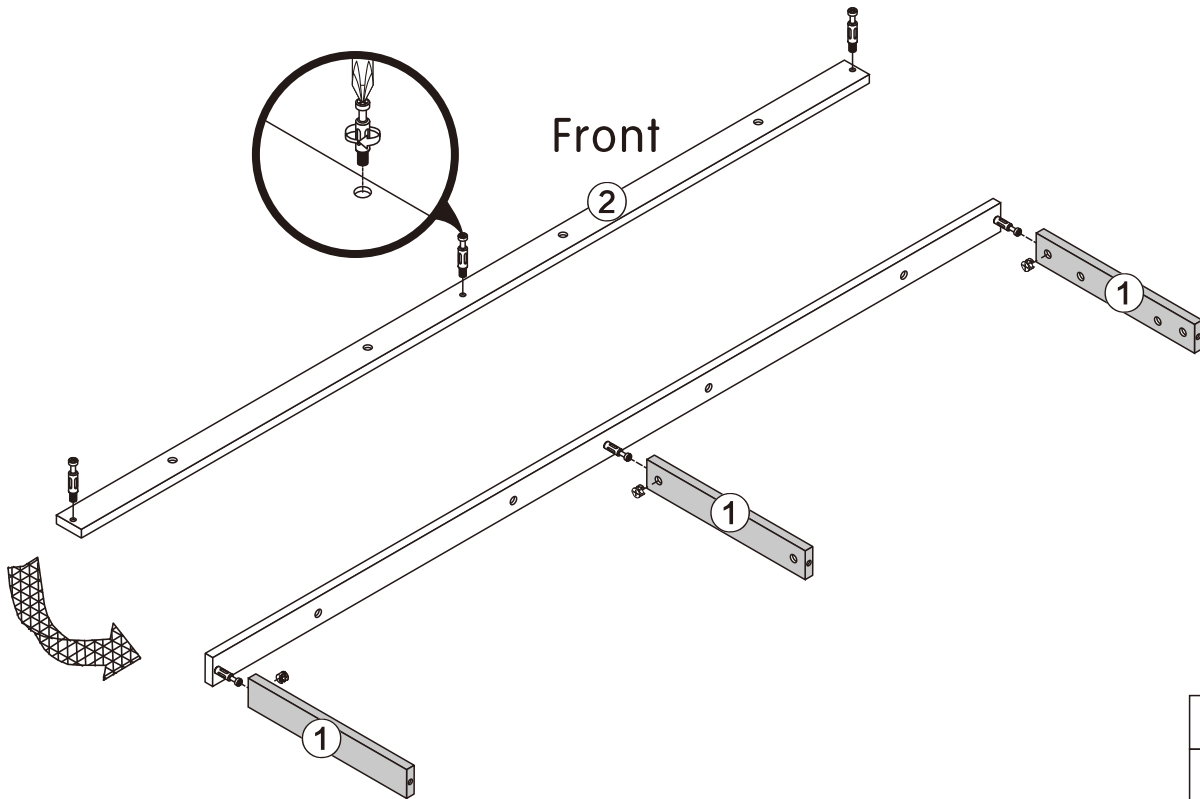
E₁X4
CX2X4




C	8PCS
3.5*14mm	

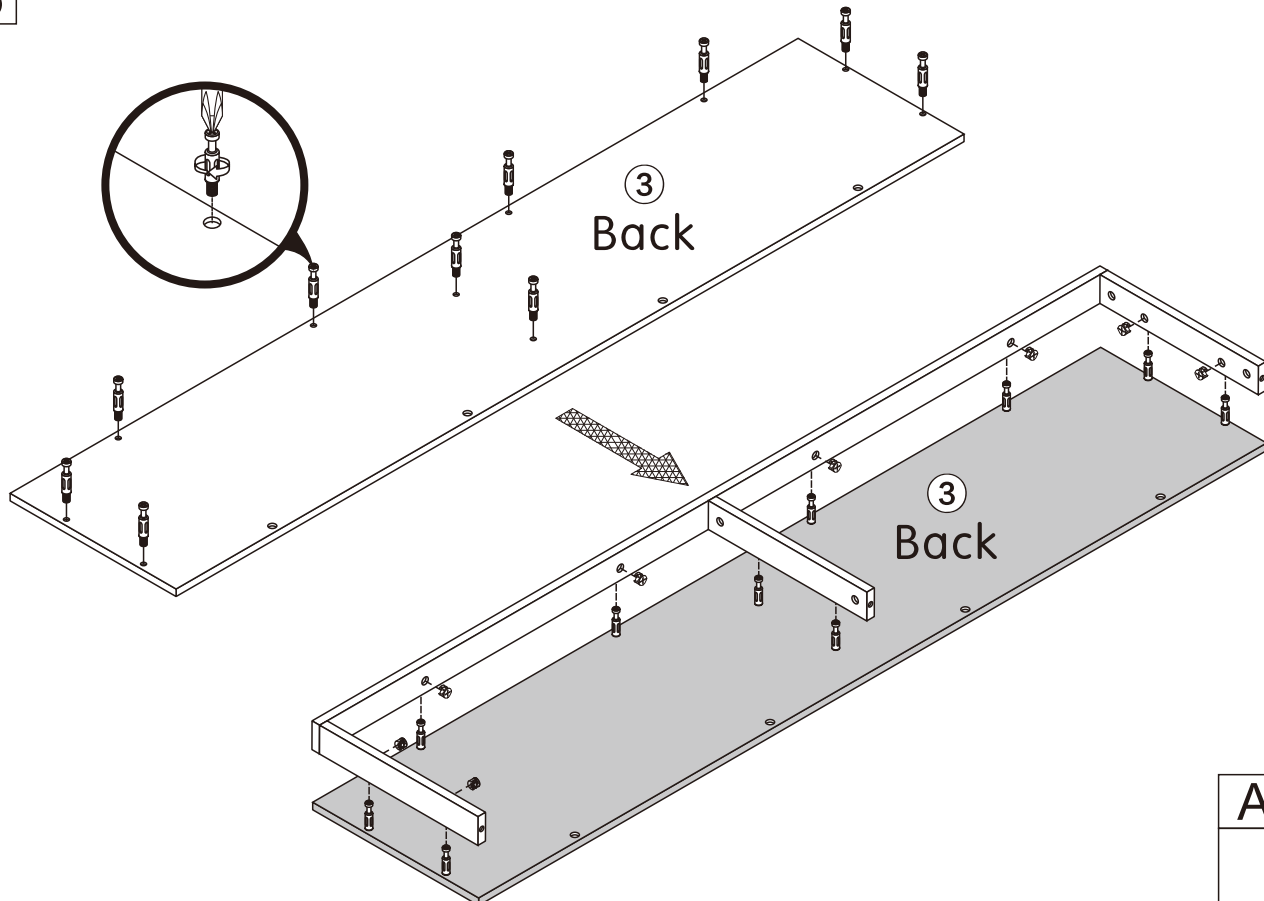
E ₁	4PCS
Three-section Rail	


4



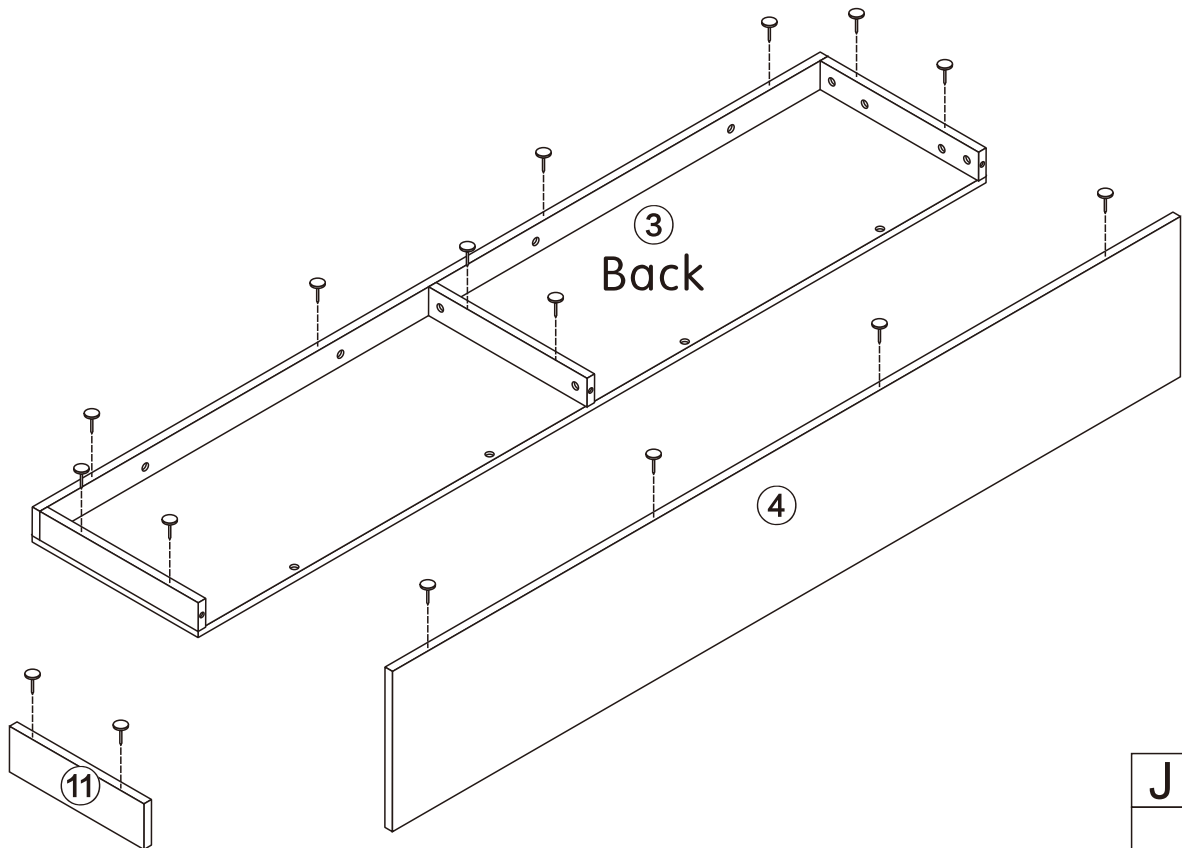
A	3PCS
	
15*10mm	

5

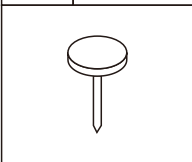


A	10PCS
	
15*10mm	

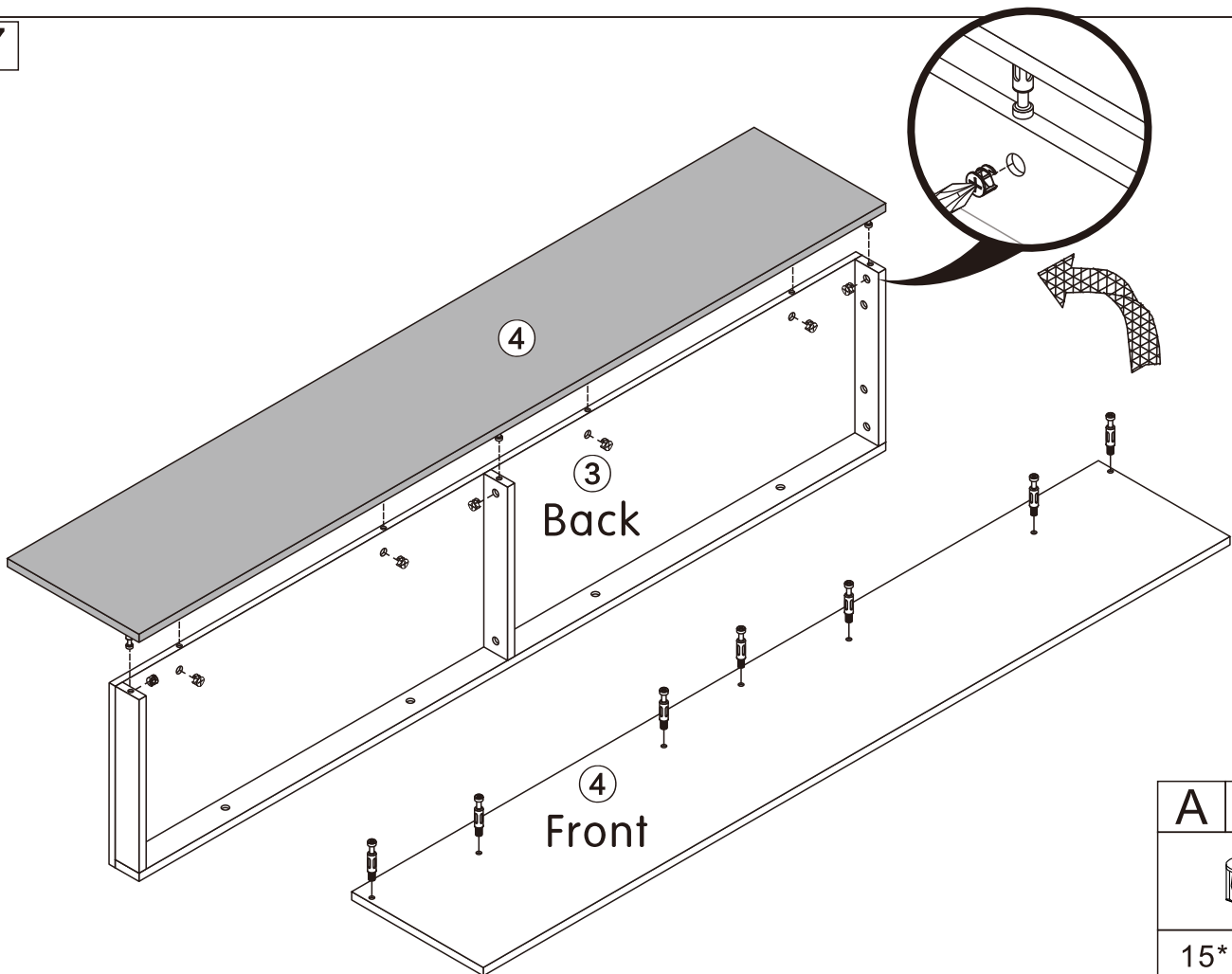
6



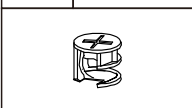
J 16PCS



7

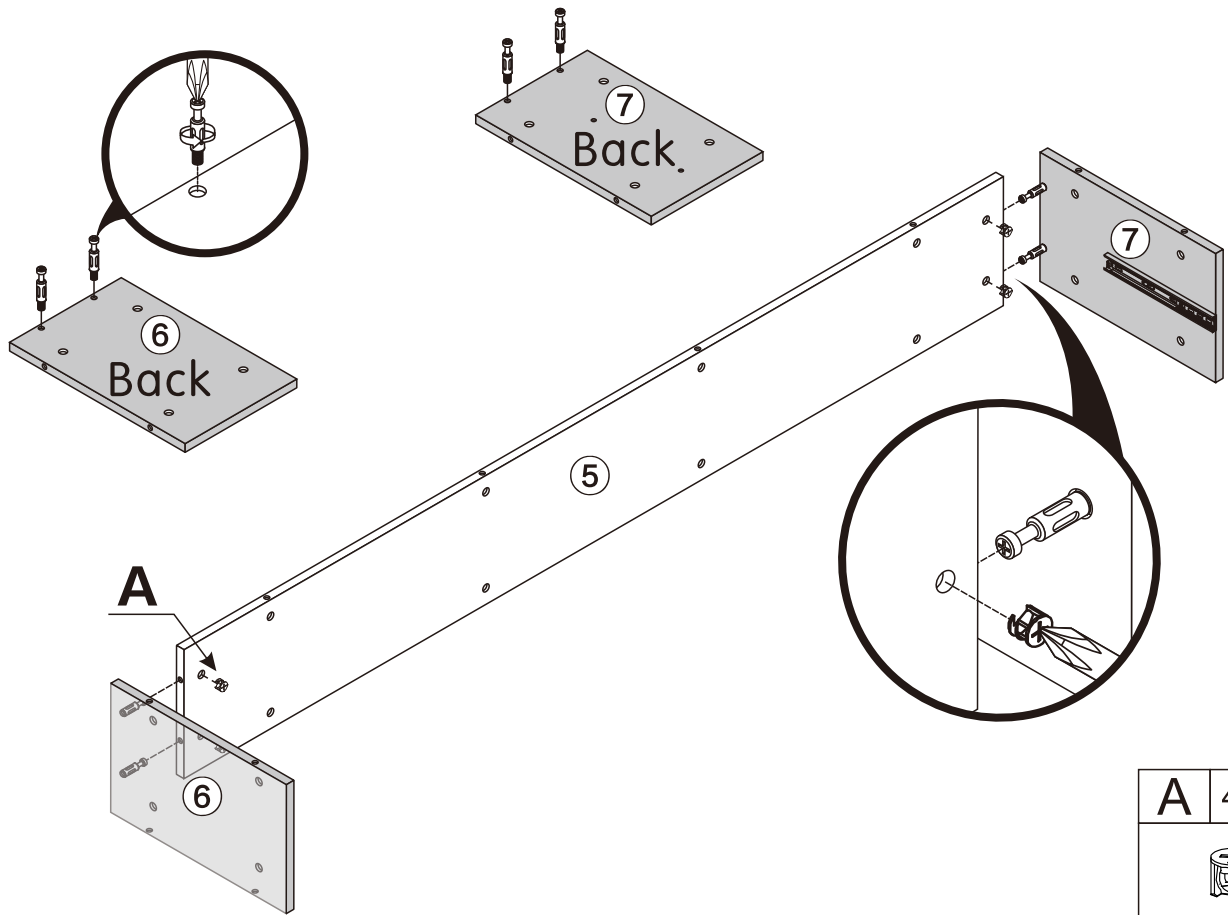



A 7PCS



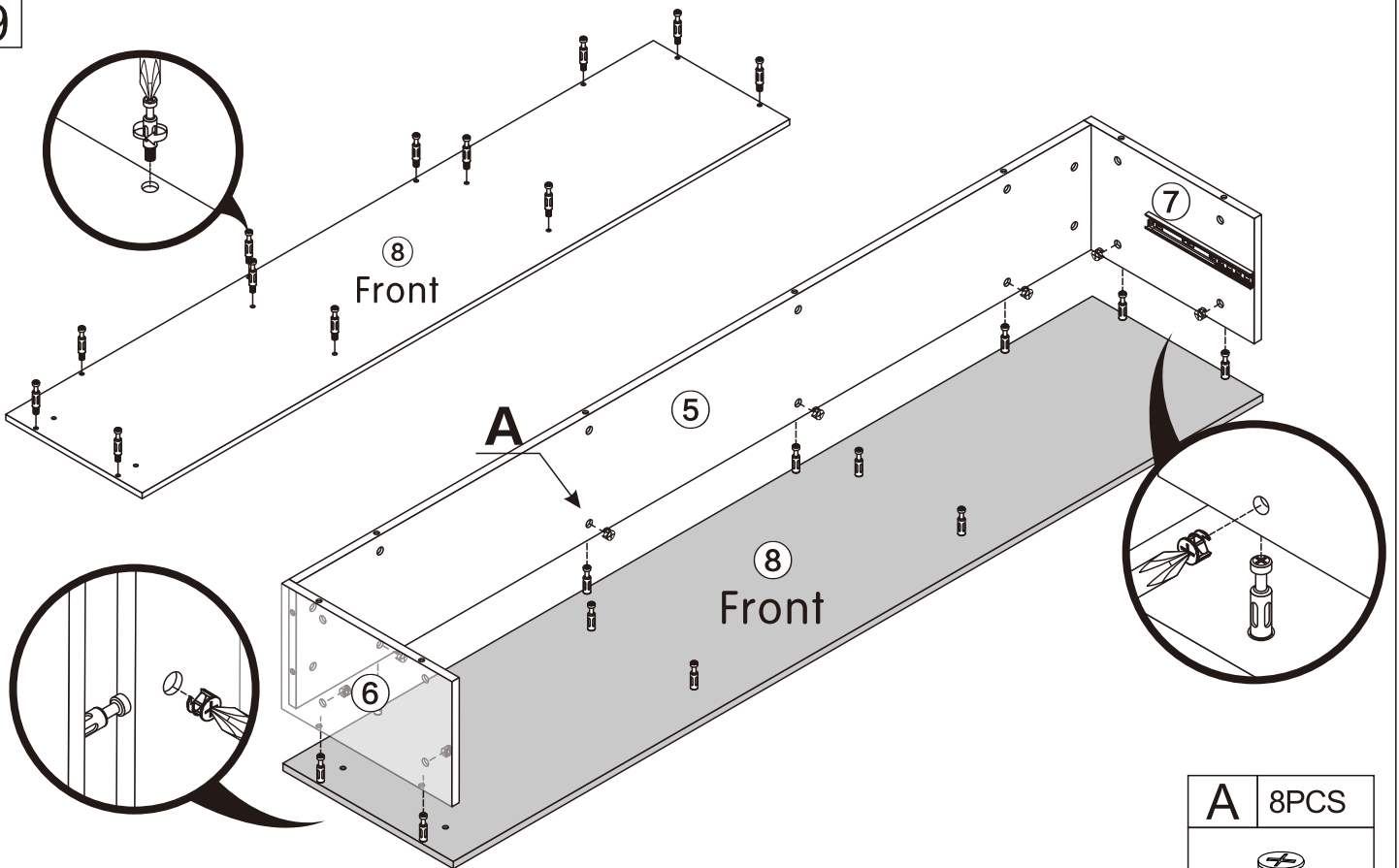
15*10mm


8



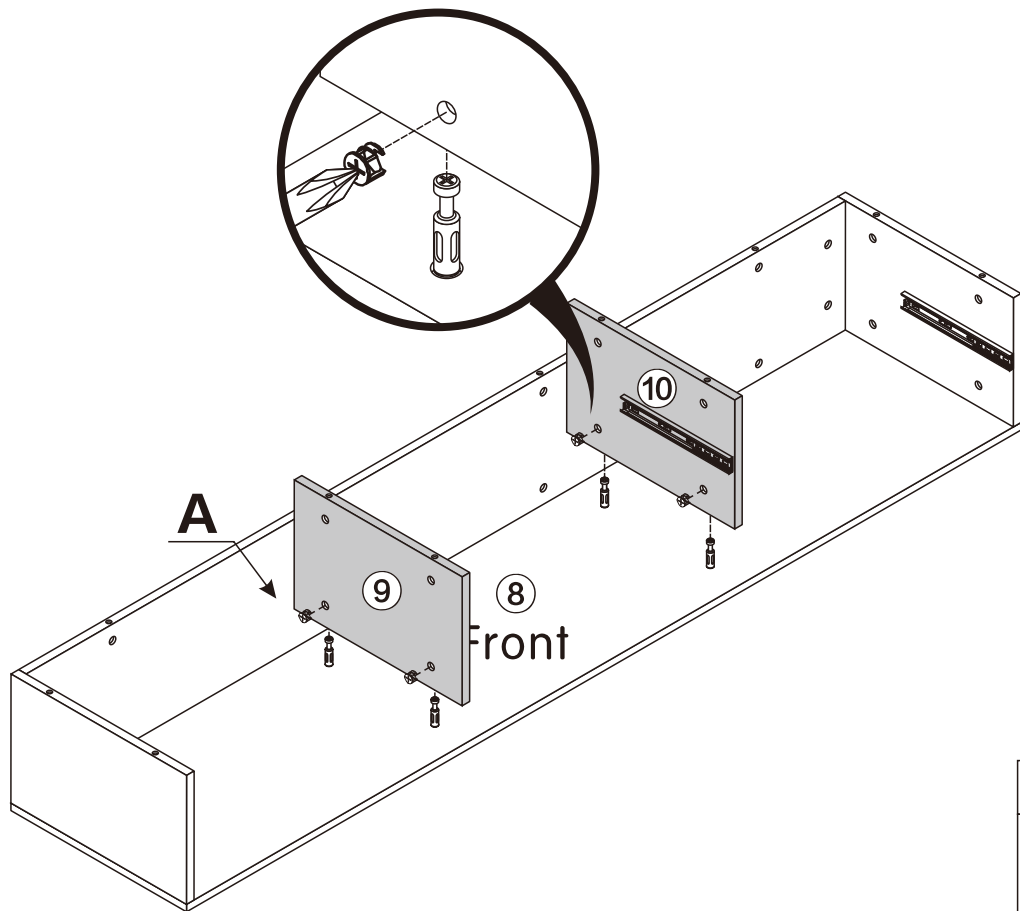
A	4PCS
	
15*10mm	


9



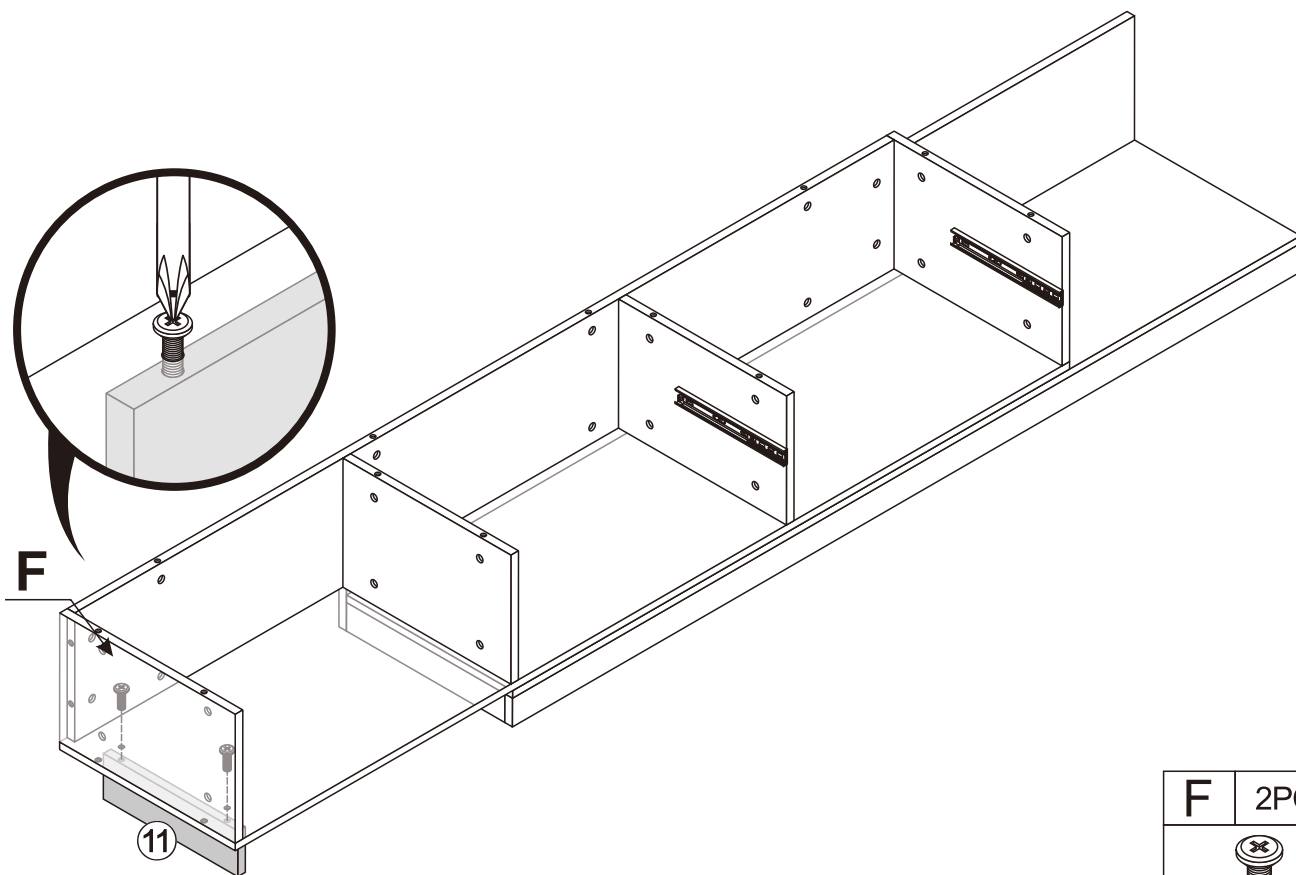
A	8PCS
	
15*10mm	


10



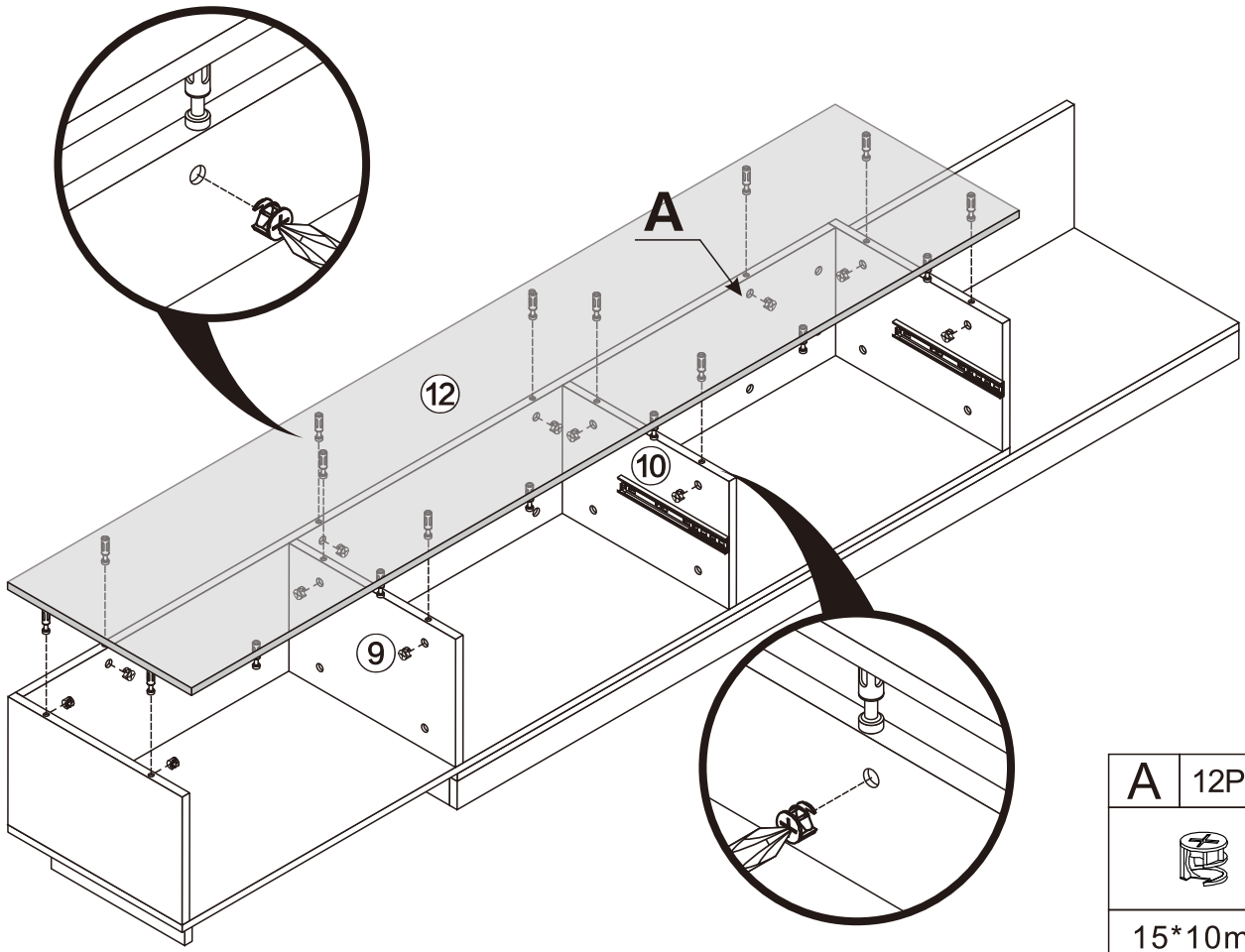
A	4PCS
	
15*10mm	


11



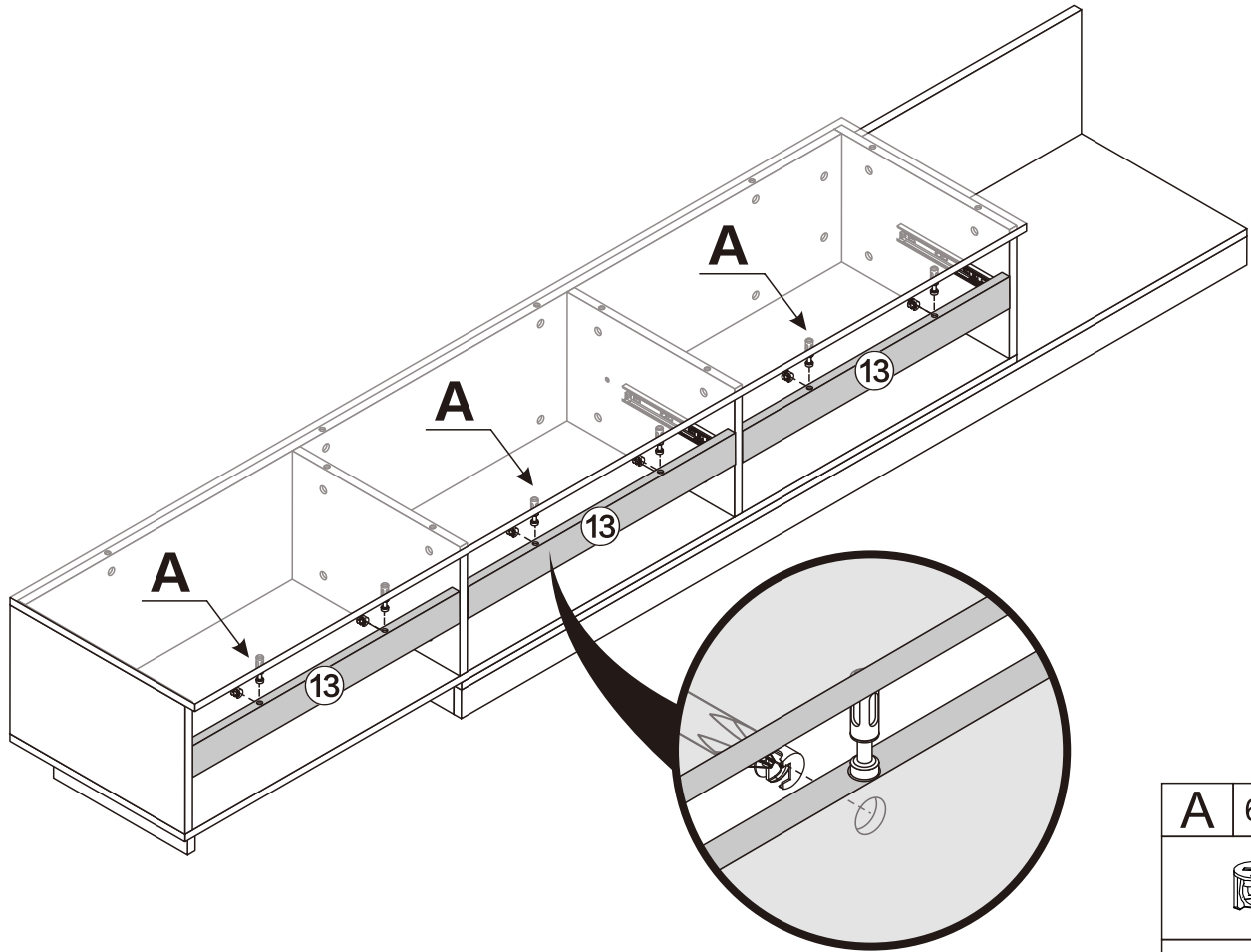
F	2PCS
	
6X12mm	


12



A	12PCS
	
15*10mm	

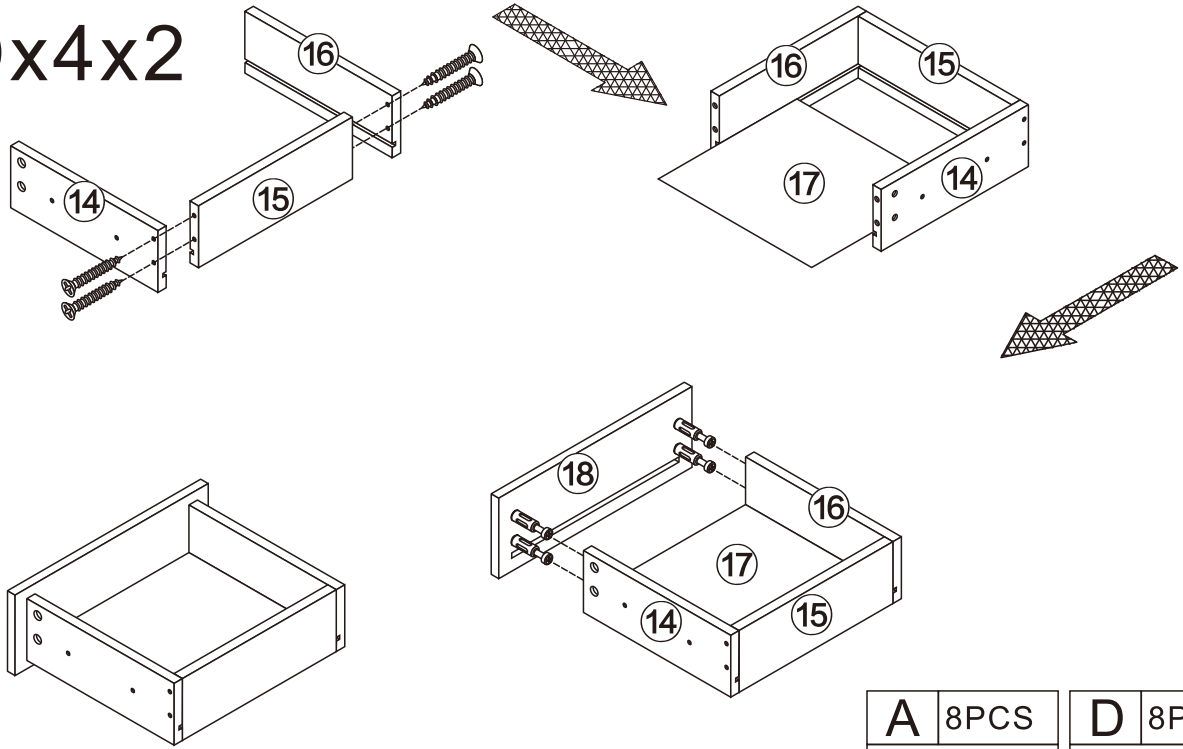
13





A	6PCS
	
15*10mm	

14

Dx4x2

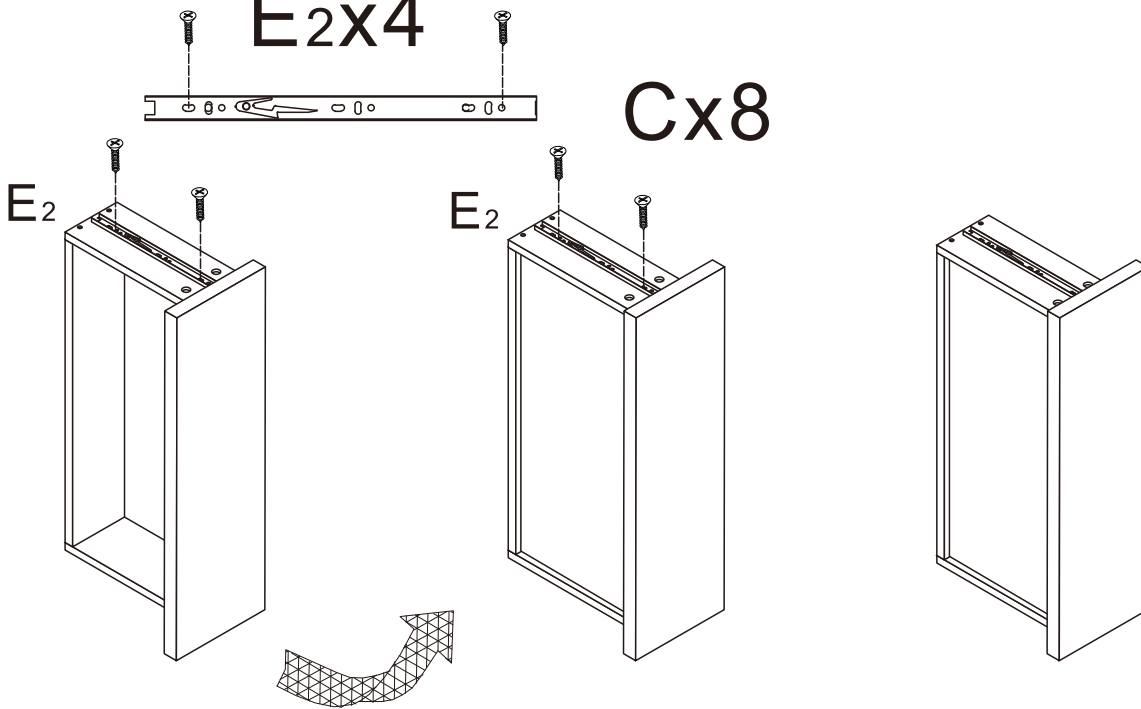




A	8PCS	D	8PCS
			
15*10mm		3.5*40mm	

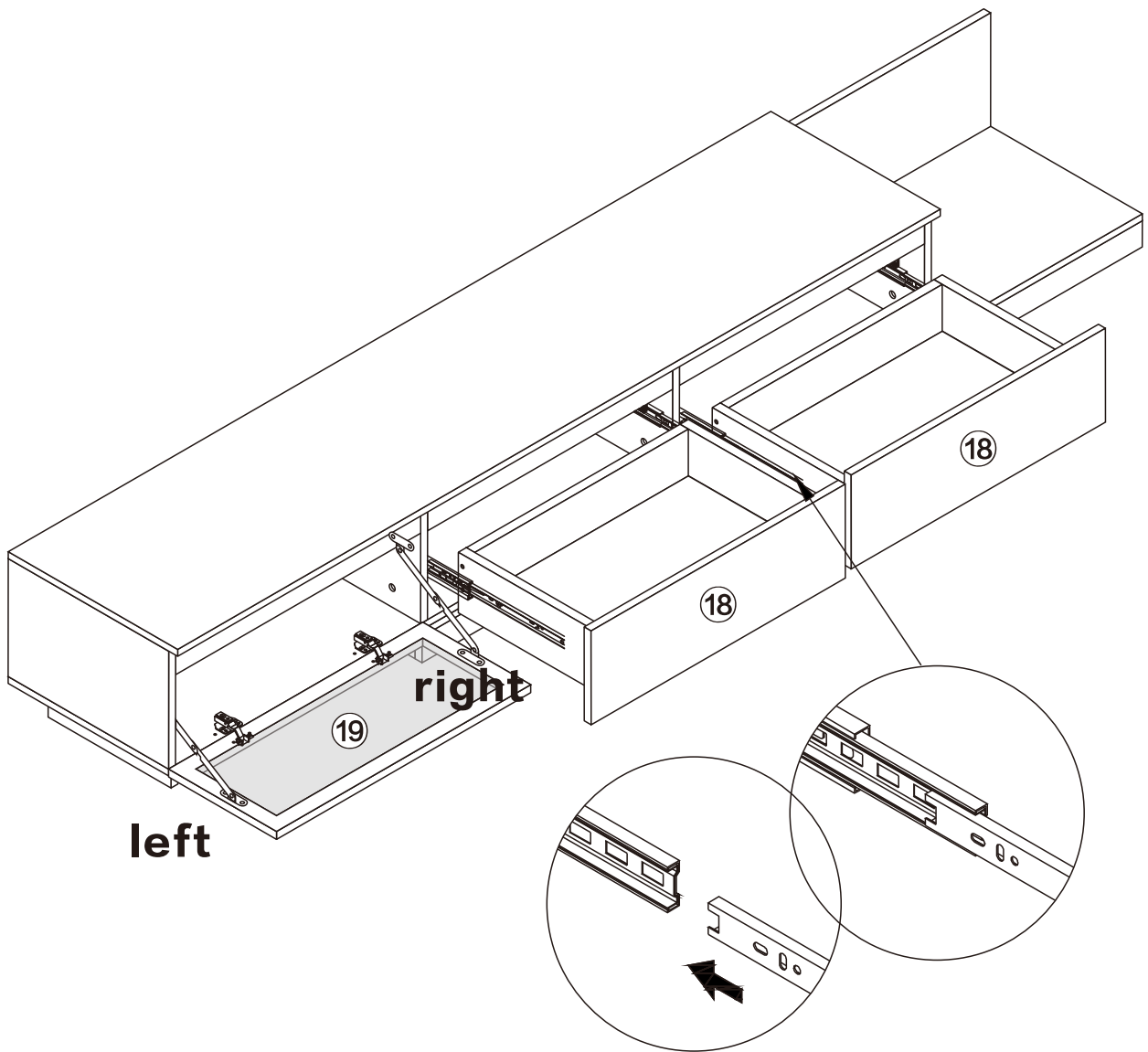
15

E₂x4


Cx8

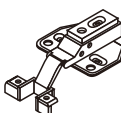


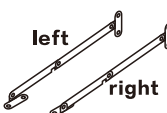
C	8PCS	E₂	4PCS
			
3.5*14mm		Three-section Rail	




ok!

C	4PCS
	
3.5*14mm	

G	2PCS
	

H	2PCS
	
left	right

I	4PCS
	
4*12mm	

