

60" DOUBLE SINK BASE CABINET

BASE CABINET DIMENSIONS

60" W x 21.5" D x 34.5" H



FEATURES

- Solid wood frame & plywood panels
- Dovetail drawers and joints
- Soft closing doors & drawers

HARDWARE FINISHES*



Brushed Nickel Satin Brass Matte Black Polished Chrome

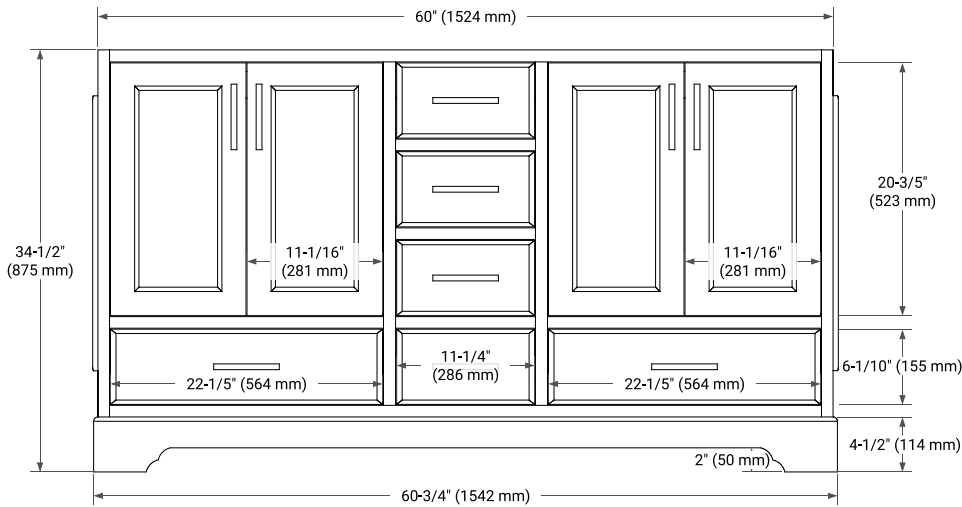
*Hardware comes preinstalled with the illustrated option. Other finishes are available on our online store if you prefer a different one.

AVAILABLE COLORS

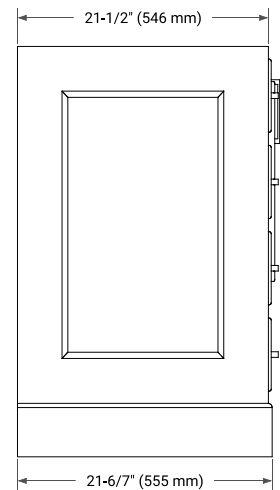


White Grey Midnight Blue

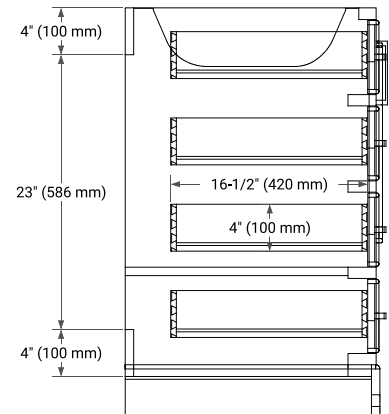
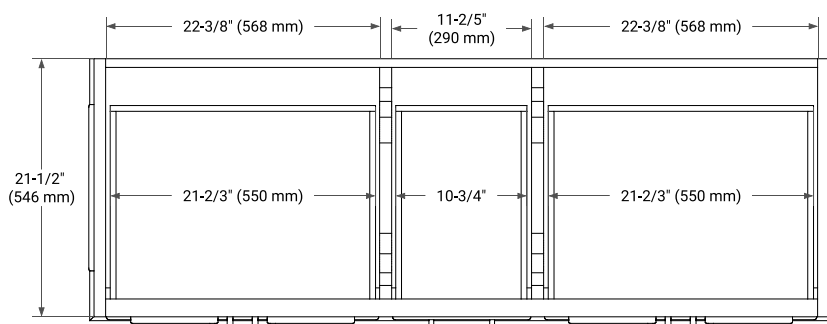
FRONT VIEW



SIDE VIEW



PLAN VIEW



61" DOUBLE RECTANGLE SINK COUNTERTOP WITH 1.5" THICKNESS

OVERALL DIMENSIONS

61" W x 22" D x 1.5" H

COUNTERTOP OPTIONS



Carrara Marble



White Quartz

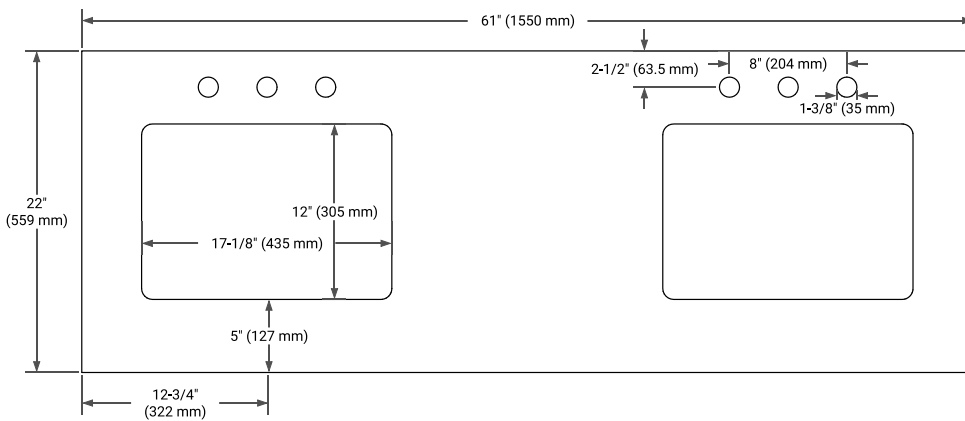
FEATURES

- Solid countertop with mitered edges & seams
- Undermount white rectangular sink
- Pre-drilled for 8" widespread faucet

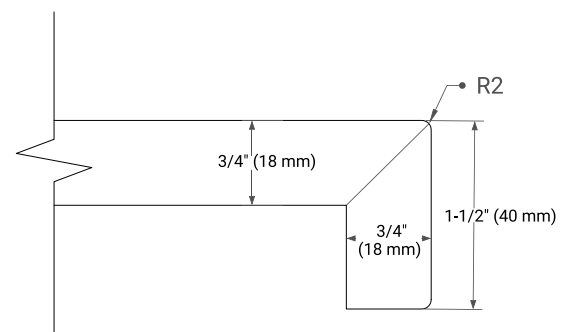
INCLUDED

- Countertop
- Matching Backsplash
- Rectangle Sinks

COUNTERTOP PLAN VIEW



EDGE SIDE VIEW



THREE DIMENSIONAL COUNTERTOP VIEW

