

**SPECIFICATIONS**

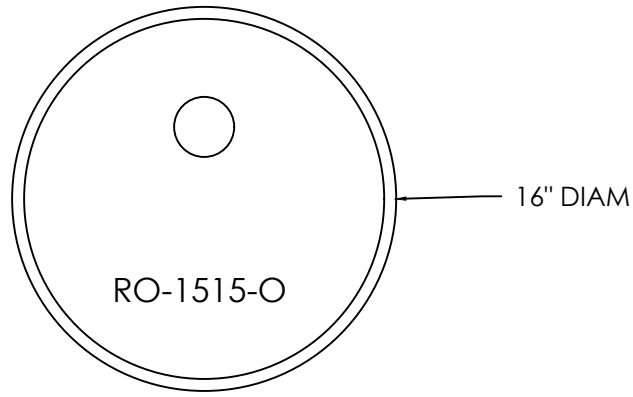
**SINK BASIN:**

- SINK MODEL #: RO-1515-(O) = 15" x 15" x 3"
- COMPLIANCE & CERTIFICATIONS:

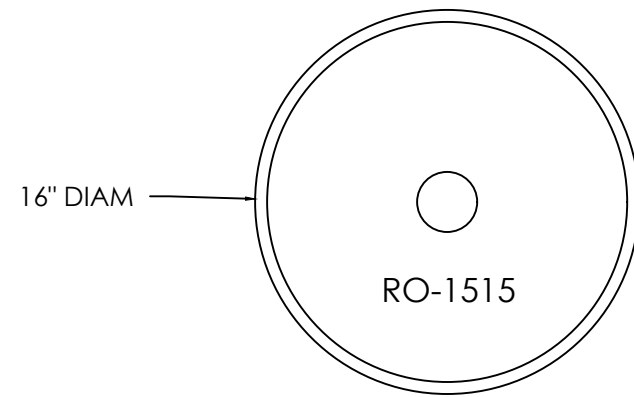


CSA B45.8/IAPMO Z403  
 ASME A112.18.2/CSA B125.2  
 CODE = RO-ST-1-1-16x16-(C)-(O)

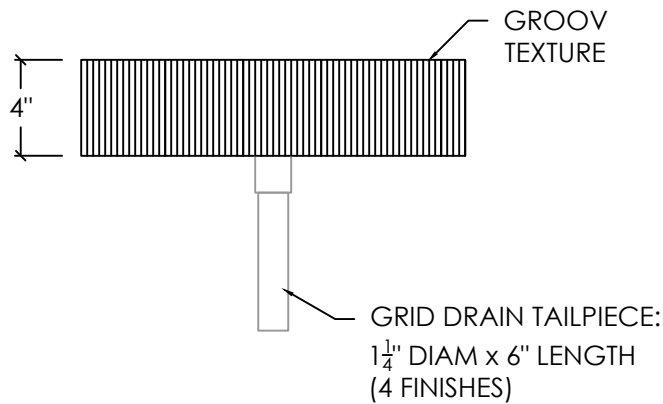
PLAN VIEW - OFFSET DRAIN



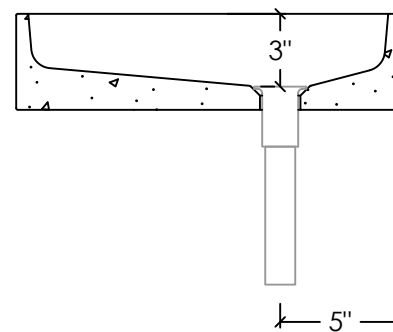
PLAN VIEW - CENTERED DRAIN



FRONT ELEVATION



SECTION - OFFSET DRAIN



SECTION - CENTERED DRAIN

