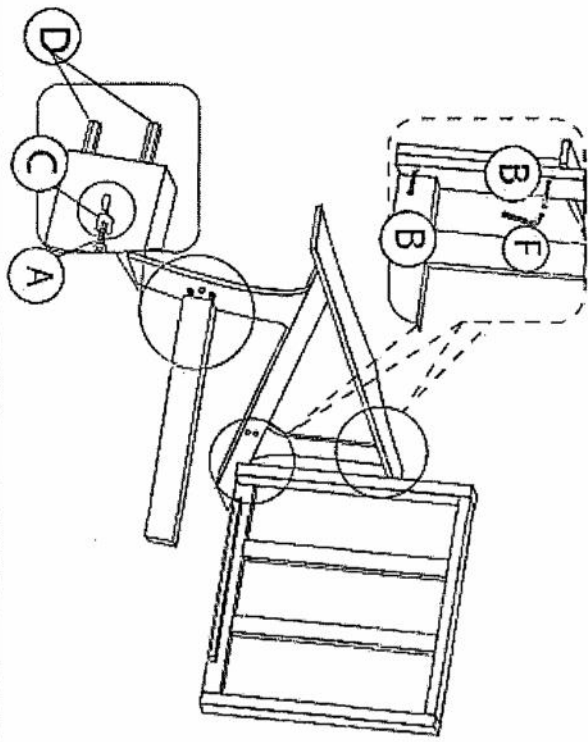
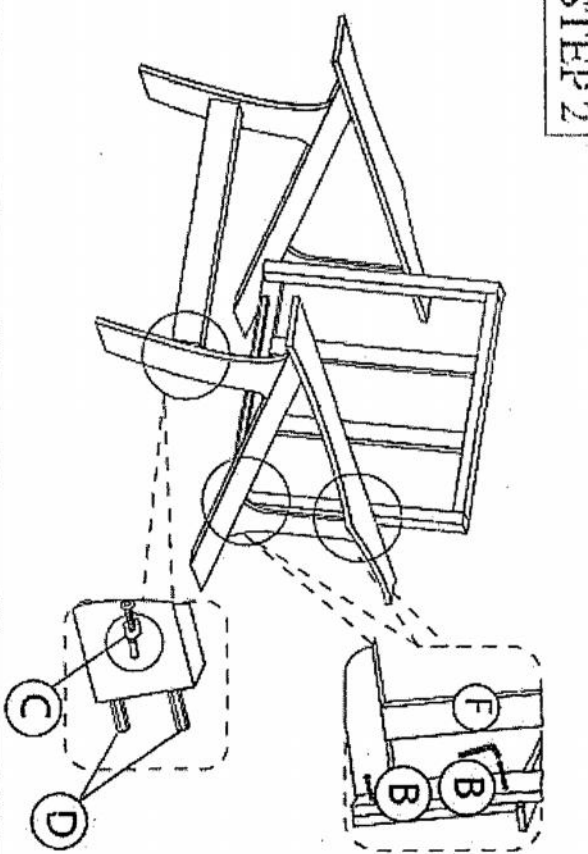


ASSEMBLY INSTRUCTION

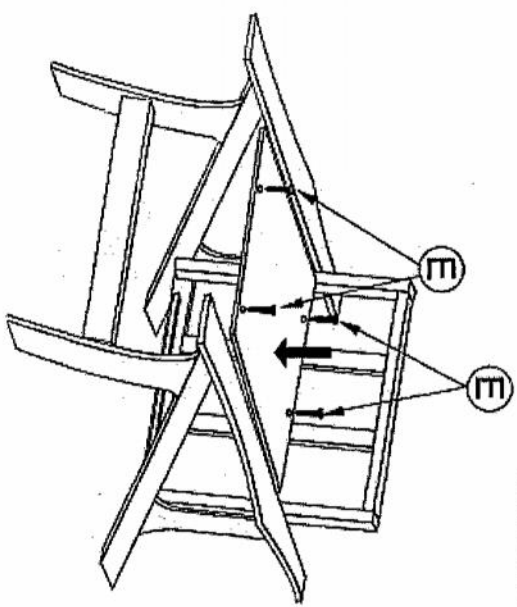
When doing assembly, kindly follow this Assembly Instruction step by step. Also, please do NOT tighten-up screws until the table is set up BALANCE!



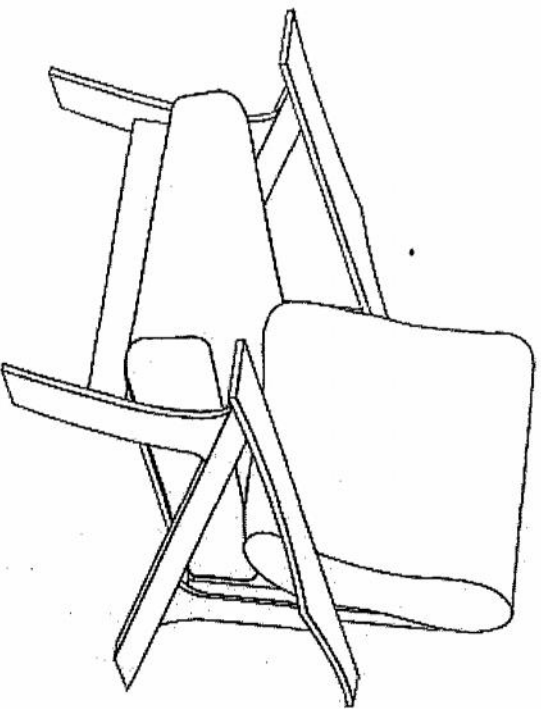
STEP 1



STEP 2



STEP 3



FULLY SET-UP

HARDWARE LIST

NO	DESCRIPTION	QTY
A	M6 x 50mm JCB	2 pcs
B	M6 x 40mm JCB	4 pcs
C	U WASHER M6x25	2 pcs
D	WOOD DAVER 8x35mm	6 pcs
E	WOOD SCREW M4x25	4 pcs
F	ALLEN KEY	1 pc