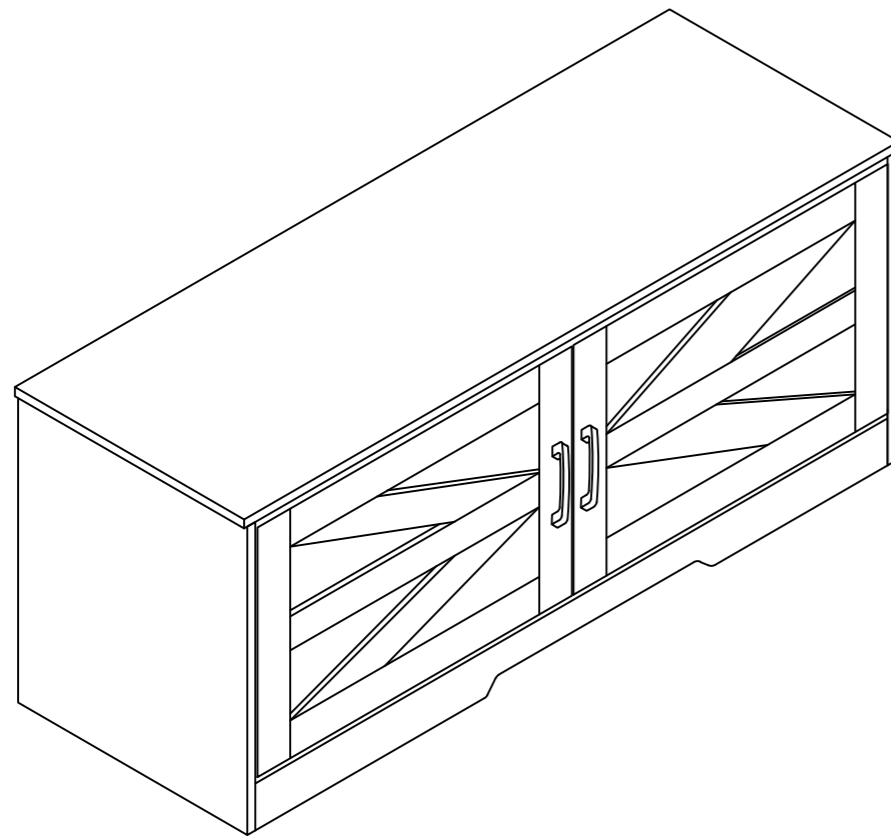


# Assembly manual



## Parts List

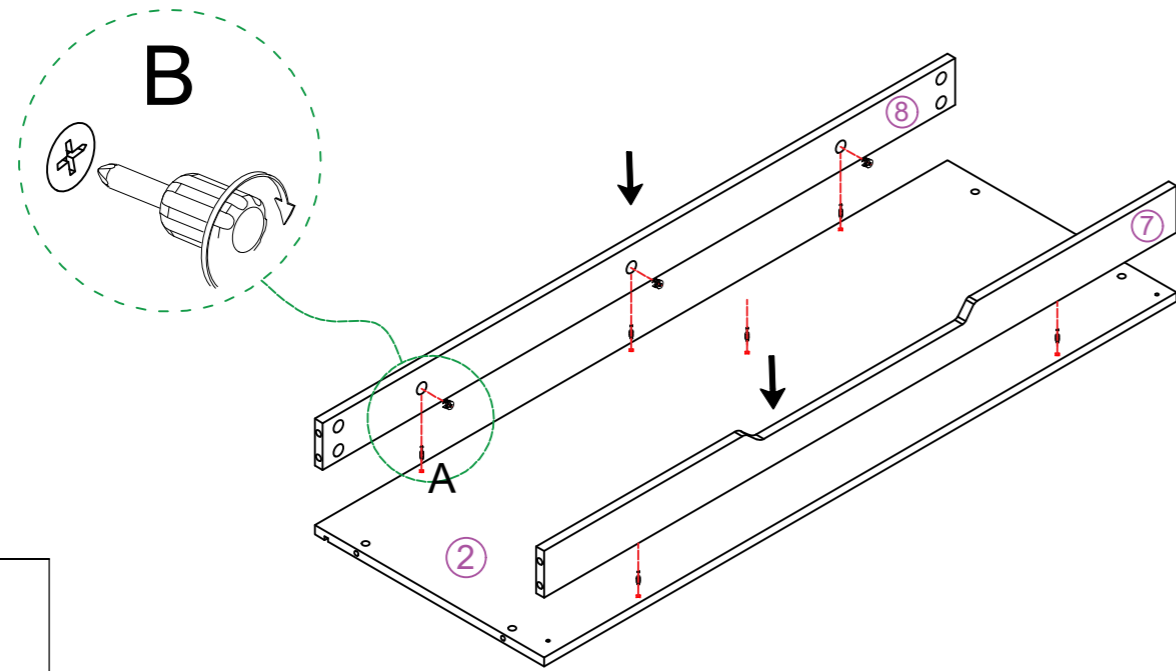
Serial Number	Name	Specification	Quantity	Example
①	Top plate	1000*350*12	1	
②	Bottom plate	966*350*12	1	
③	left side plate	408*350*12	1	
④	Right side plate	408*350*12	1	
⑤	Middle vertical plate	334*334*12	1	
⑥	Back plate	486*343*4	2	
⑦	Front foot plate	966*62*12	1	
⑧	Back foot plate	966*62*12	1	
⑨	Left and right door panels	480*330*15	2	
⑩	Active layer board	476*300*12	2	

## Hardware List

Serial Number	Name	Icon	Specification	Quantity
A	Three-in-one screw		M6*35mm	26
B	Three-in-one lock		Ø15*10mm	26
C	Magnetic attraction			2
D	Self-tapping screw		M4*14mm	8
E	Magnetic plate			2
F	Door handle		96 mm	2
G	Door handle screw		M4*22mm	4
H	Shelf plate support			10
I	Press the rebounder			4

# Installation

## step 1 Mounting the stand



A \* 6



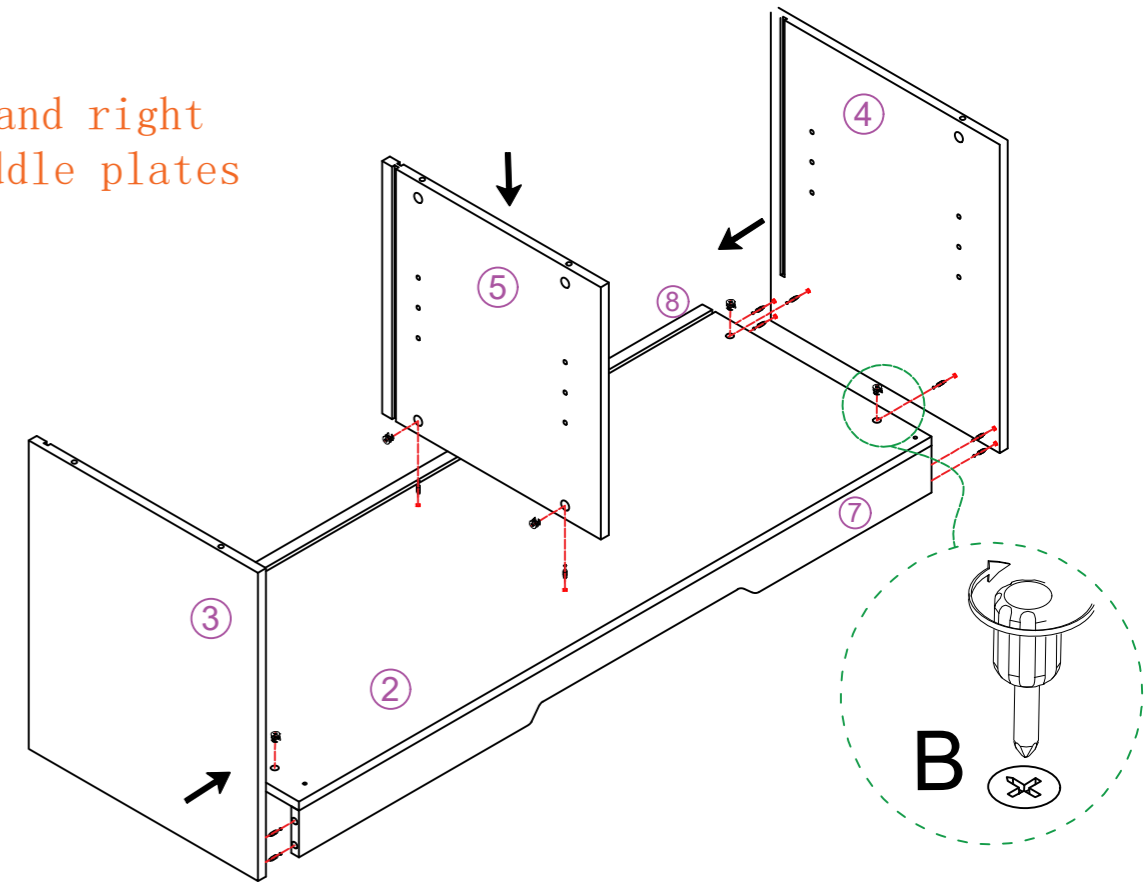
M6\*35mm

B \* 6



Ø15\*10mm

## step 2 Install the left and right side plates and middle plates



A \* 14



M6\*35mm

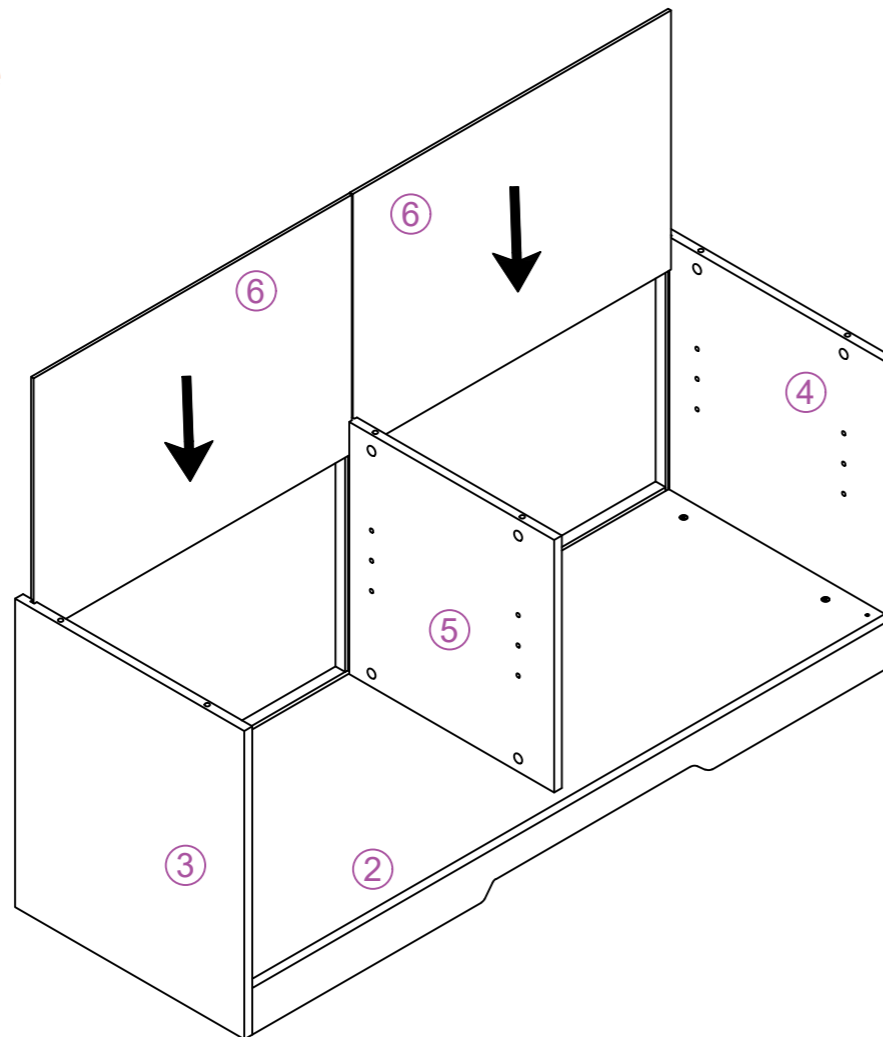
B \* 14



Ø15\*10mm

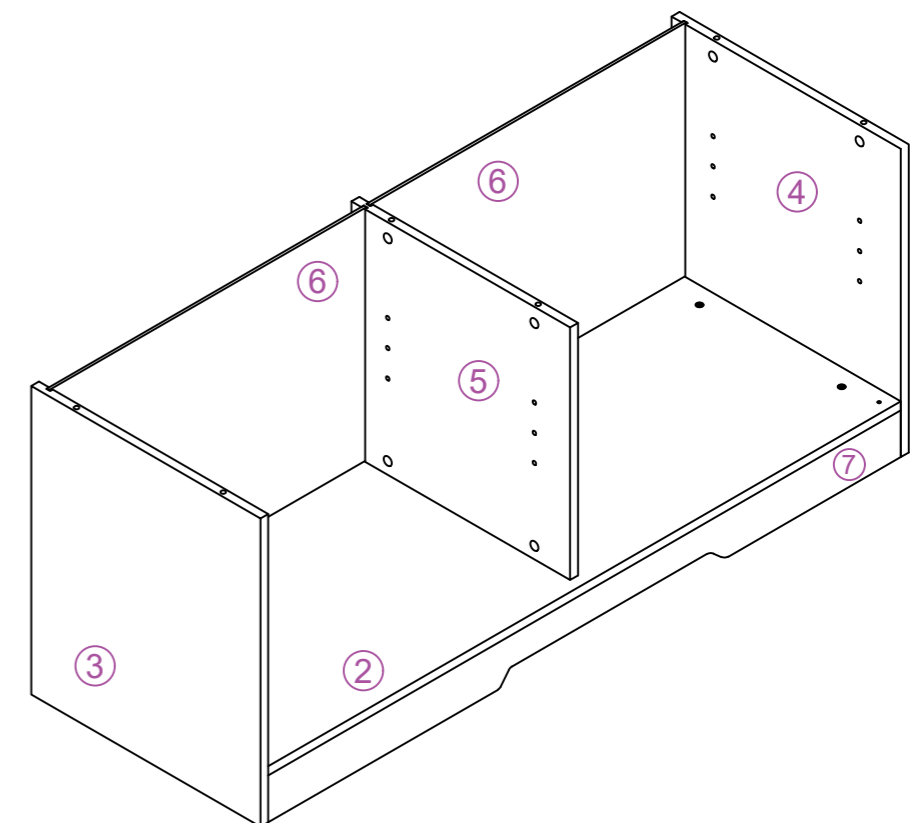
## step 3

### Fitting the back plate



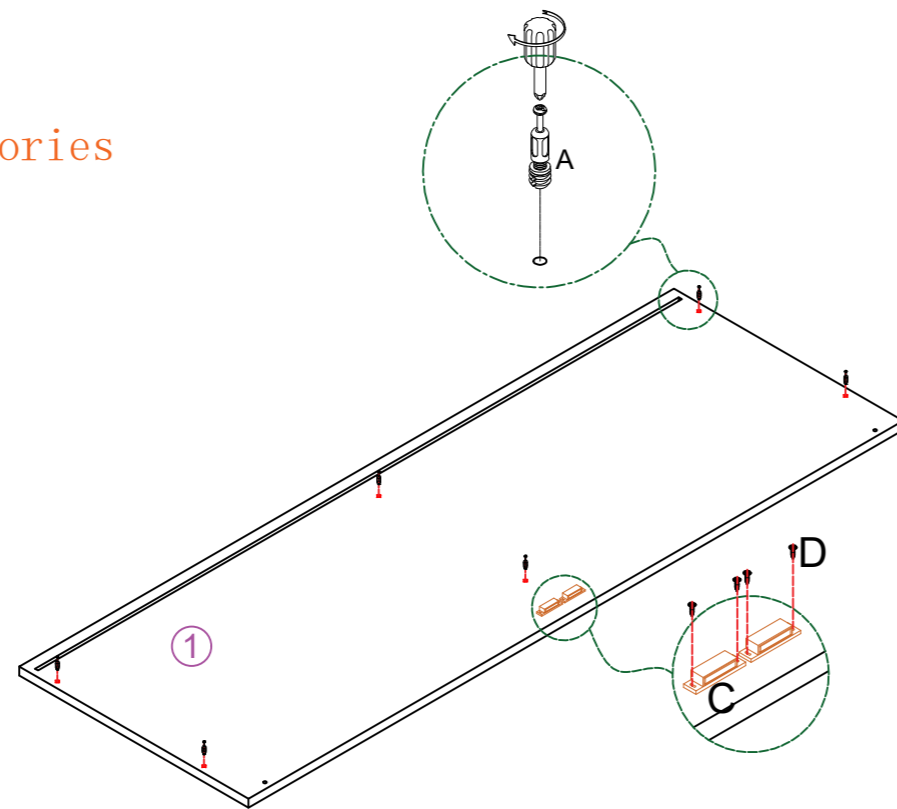
## step 4

### Combined forming



# Installation

step 5  
Fitting top plate accessories

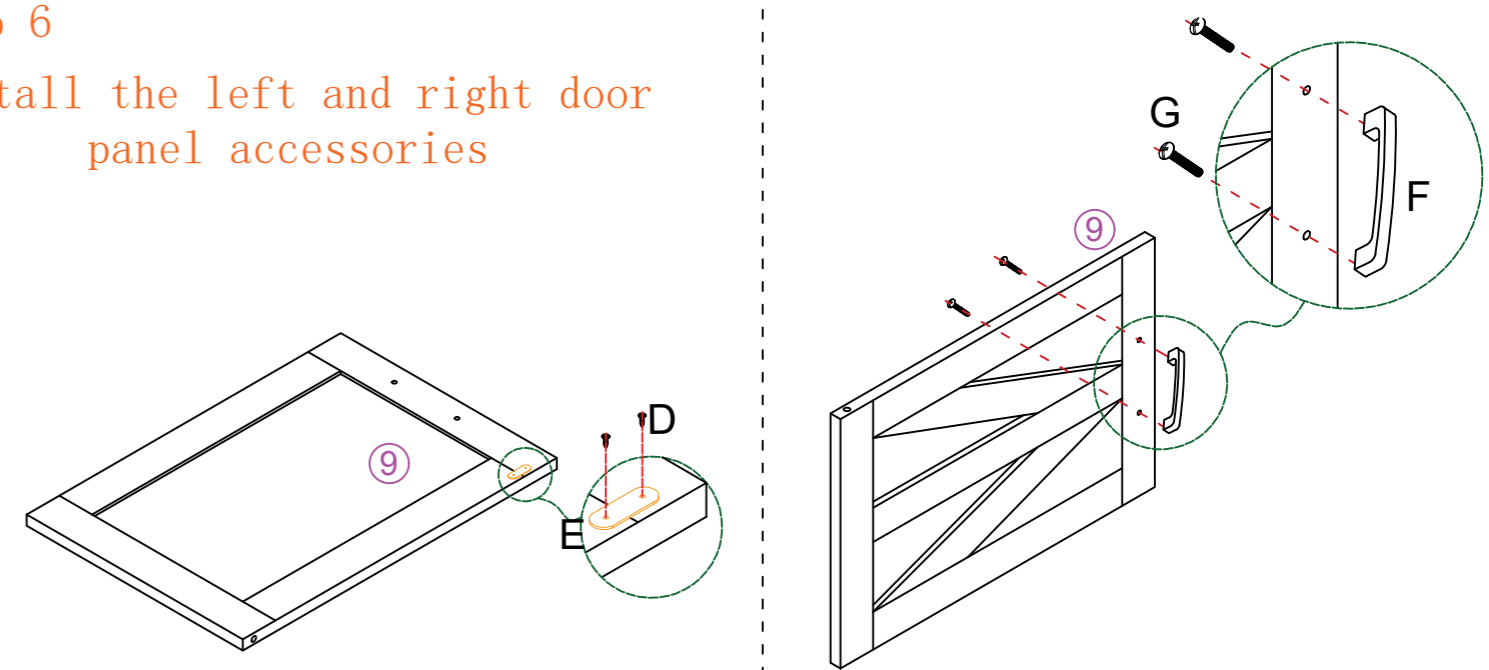


A \* 6  
M6\*35mm

C \* 2

D \* 4  
M4\*14mm

step 6  
Install the left and right door panel accessories



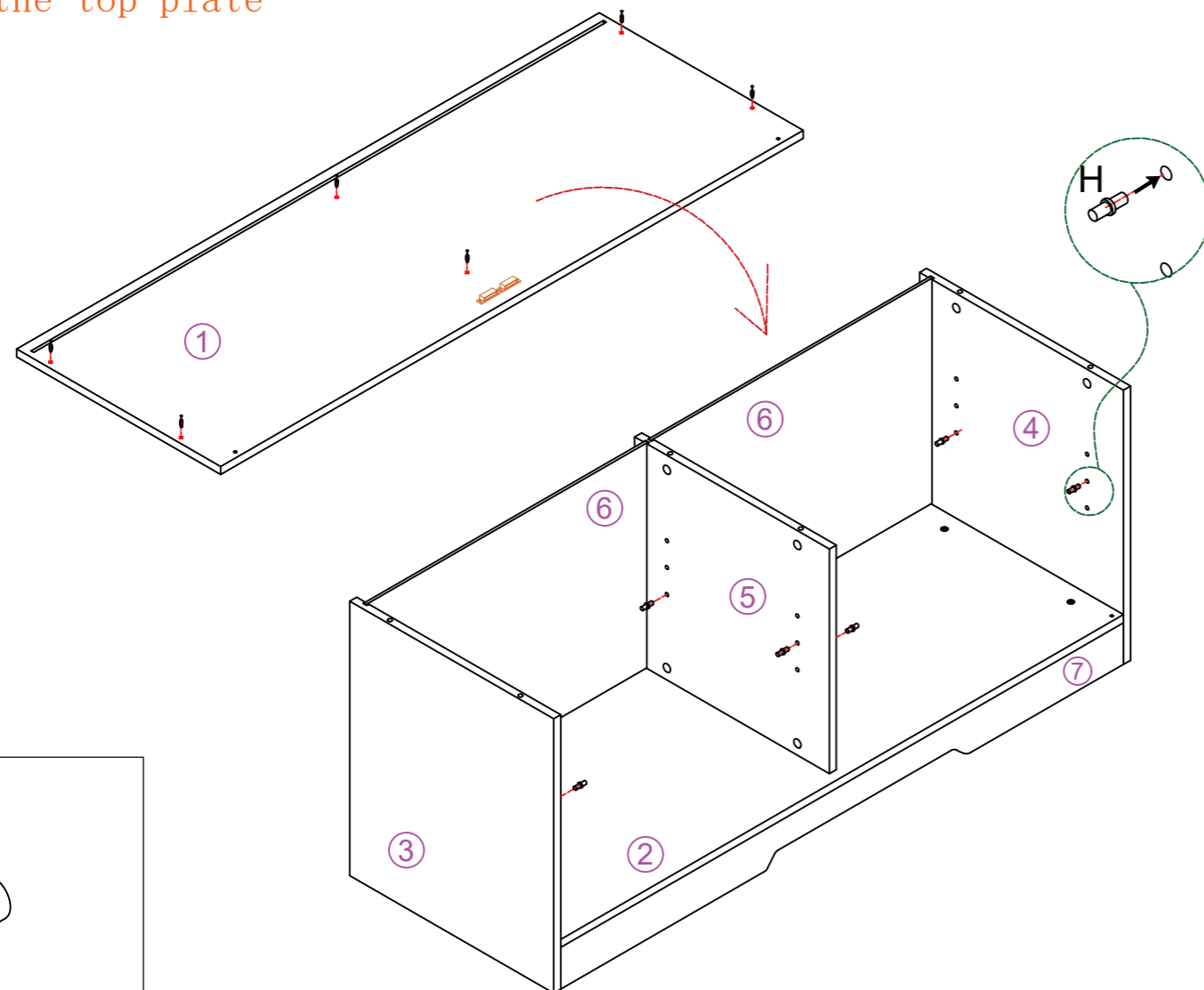
D \* 4  
M4\*14mm

E \* 2

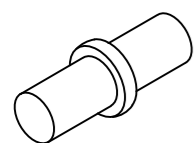
F \* 2

G \* 2  
M4\*22mm

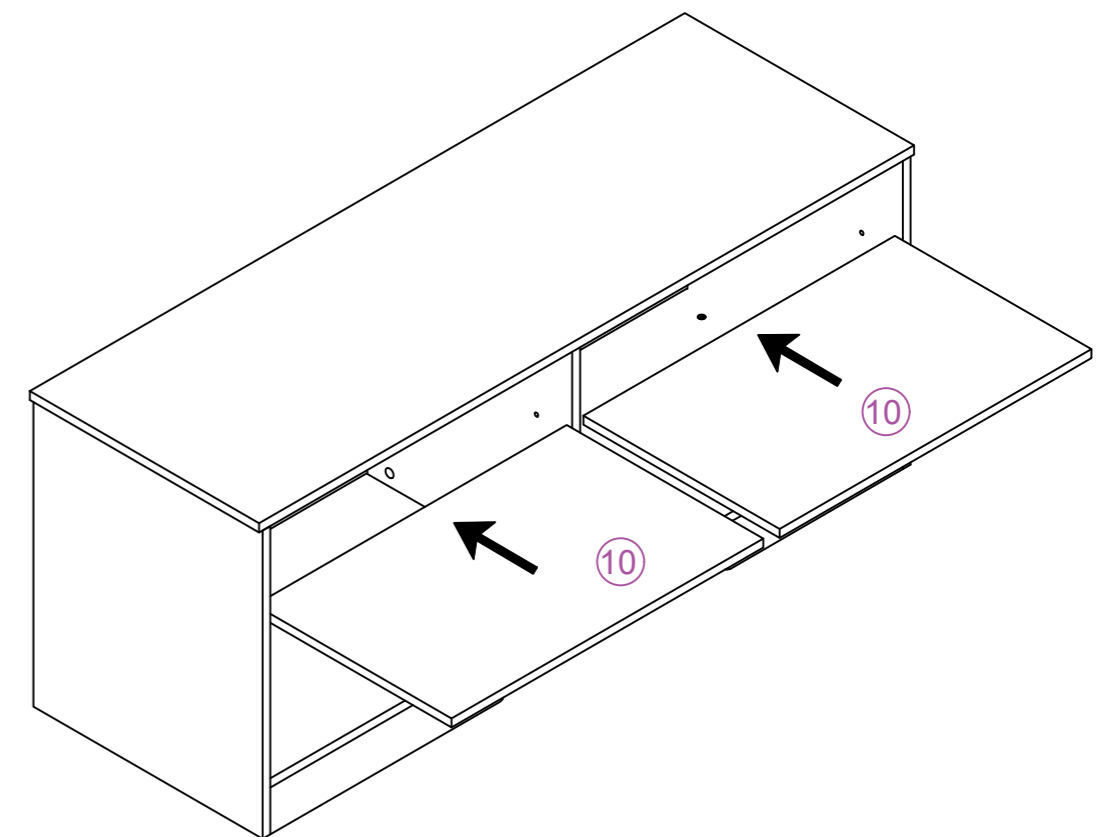
step 7  
Mounting the top plate



H \* 10



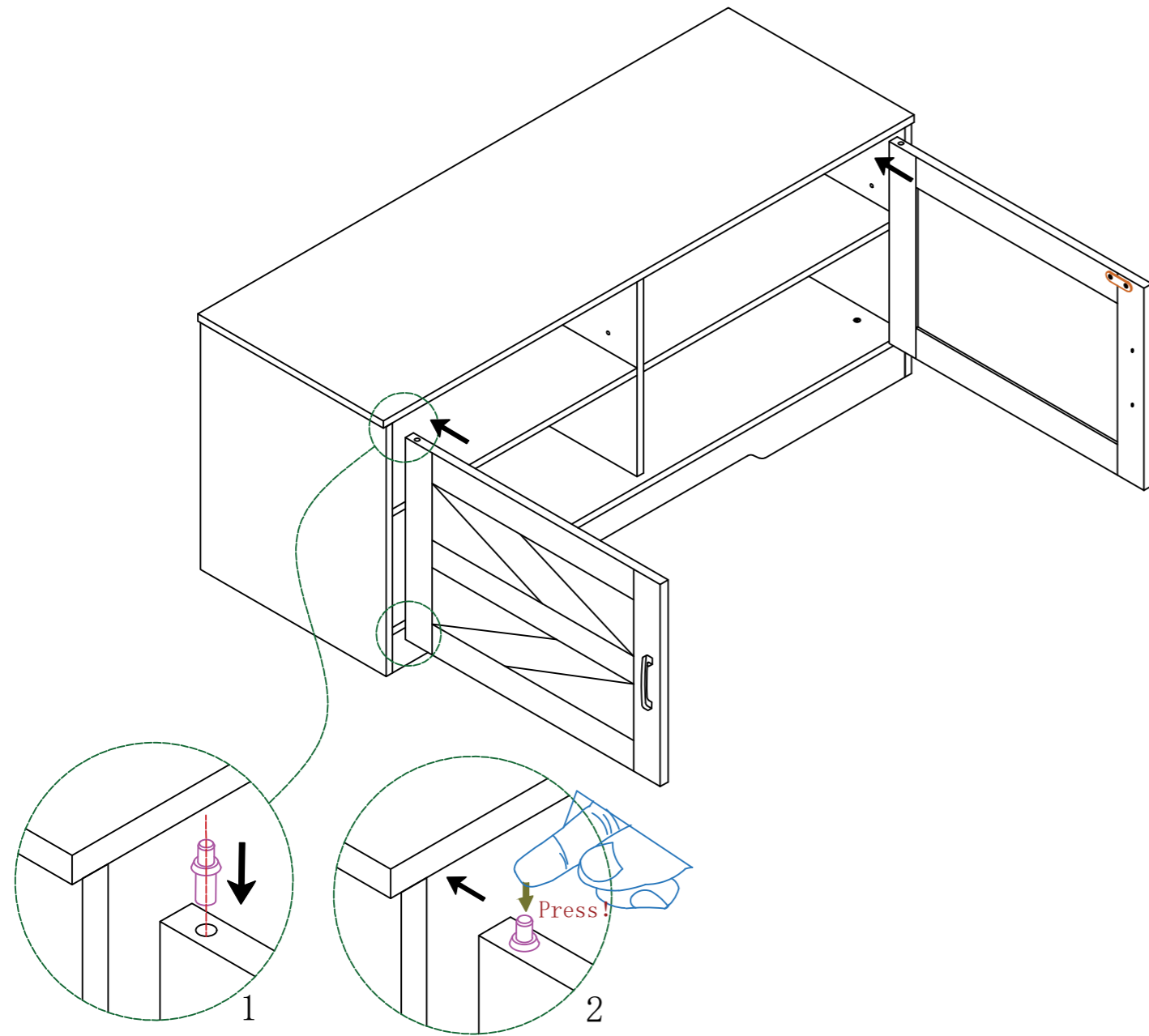
step 8  
Install the movable layer board



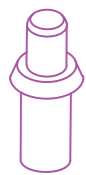
# Installation

step 9

Mounting door panel



1 \* 4



step 10

Complete installation !

