



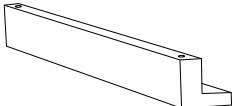
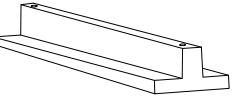
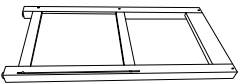


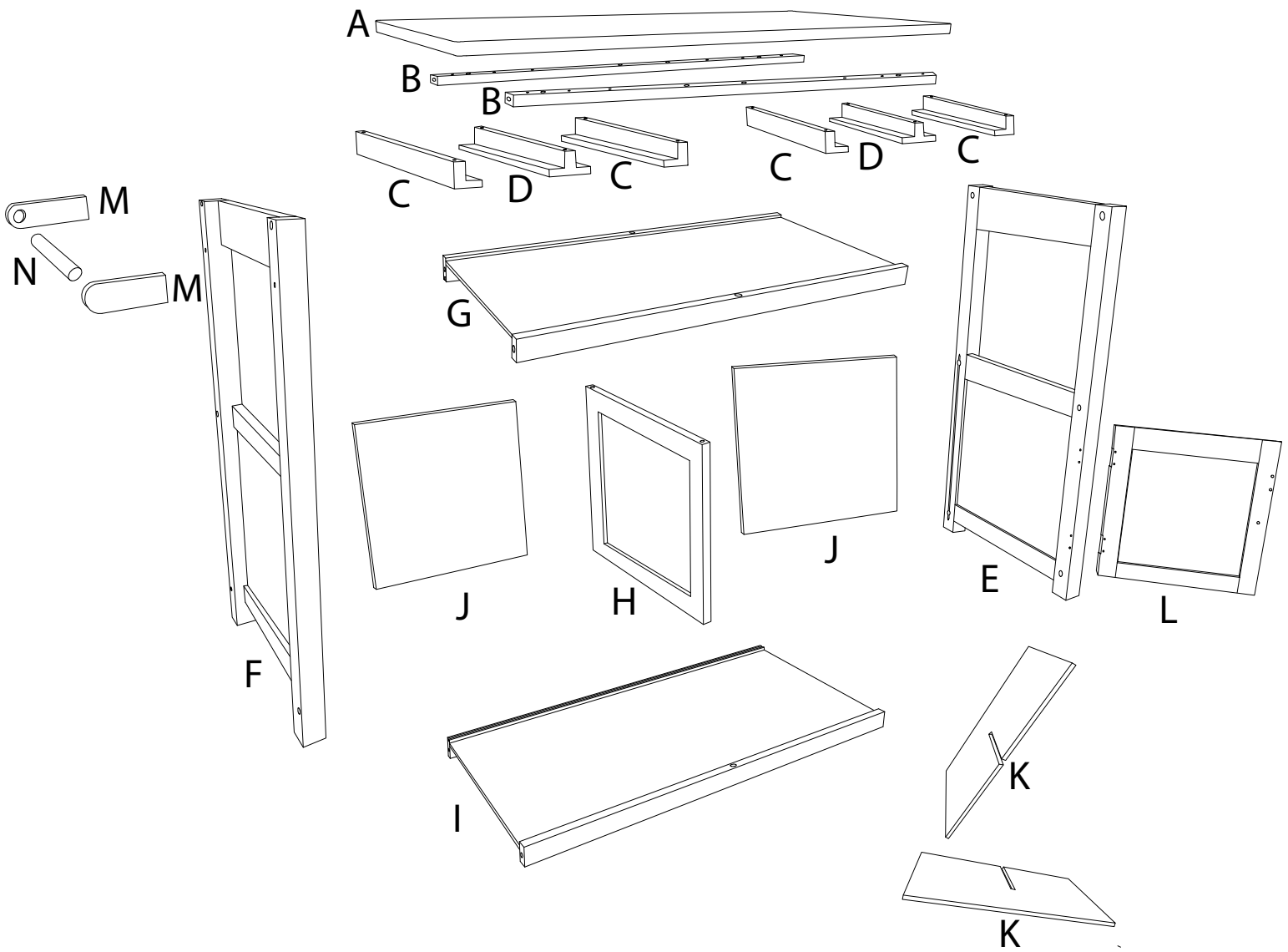
Assembly instructions for the top shelf:

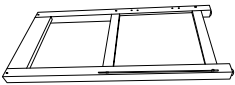

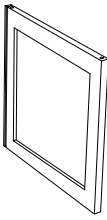
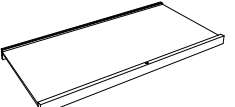
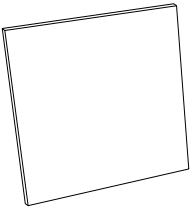
- Tools: An Allen key and a screwdriver are shown in a circle, indicating they are required.
- Prohibited tool: A power drill is shown with a diagonal line through it, indicating it should not be used.
- Warning: A triangle with an exclamation mark indicates a warning.
- Duration: A clock icon is shown above the text "40'", indicating the estimated assembly time is 40 minutes.

Assembly instructions for the cabinet:

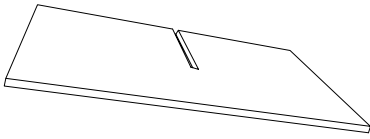
- Prohibited action: A diagram shows a cabinet door being forced closed with a diagonal line through it, indicating it should not be done.
- Warning: A triangle with an exclamation mark indicates a warning.
- Personnel: A stick figure icon is shown above the number "1", indicating that one person is required for this step.

<b>A</b>	<b>B</b>	<b>C</b>	<b>D</b>	<b>E</b>
				
<b>x1</b>	<b>x2</b>	<b>x4</b>	<b>x2</b>	<b>x1</b>



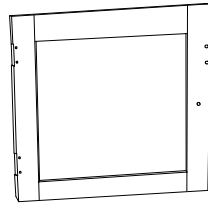
<b>F</b>	<b>G</b>	<b>H</b>	<b>I</b>	<b>J</b>
				
<b>x1</b>	<b>x1</b>	<b>x1</b>	<b>x1</b>	<b>x2</b>

K



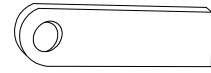
x 2

L



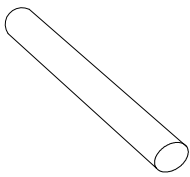
x 1

M



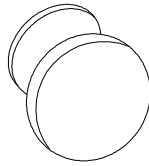
x 2

N



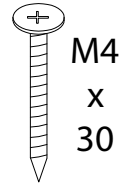
x 1

1



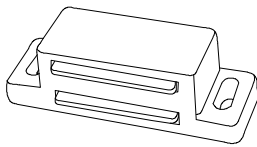
x 1

2



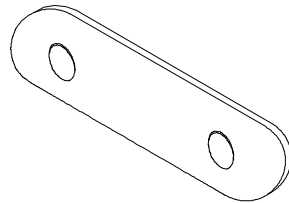
x 12

3



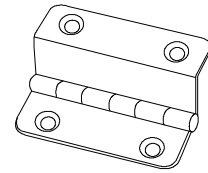
x 1

4



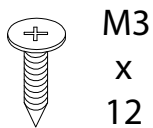
x 1

5



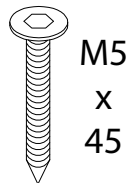
x 2

6



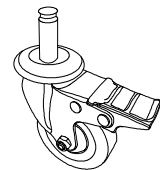
x 12

7



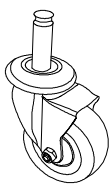
x 18

8



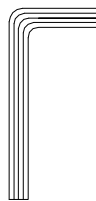
x 2

9



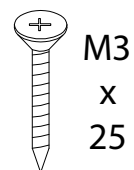
x 2

10



x 1

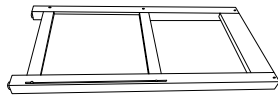
11



x 9

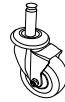
1

E

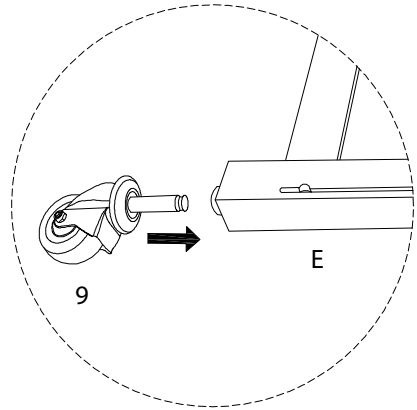
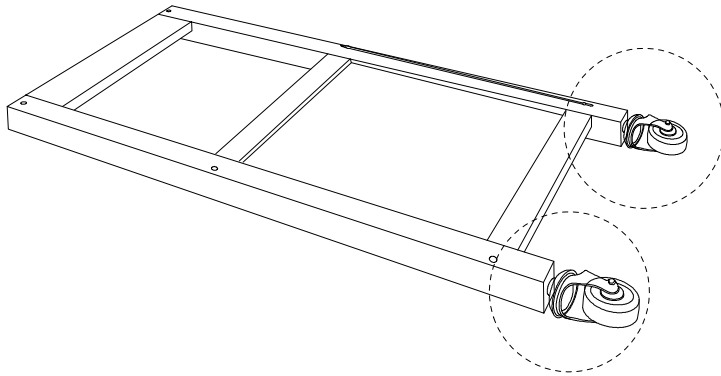


x 1

9

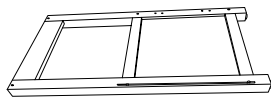


x 2



2

F

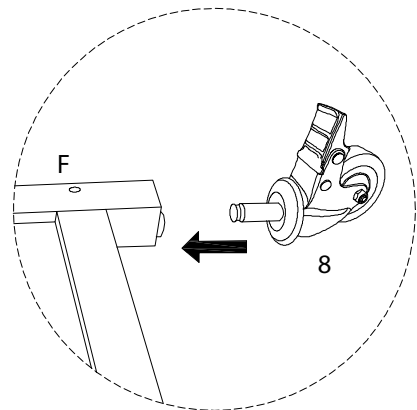
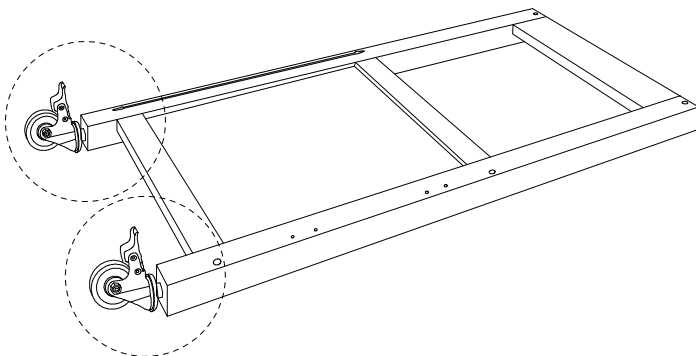


x 1

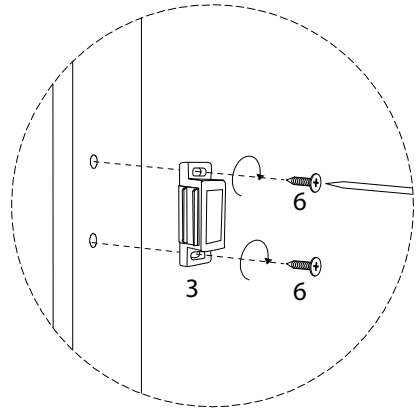
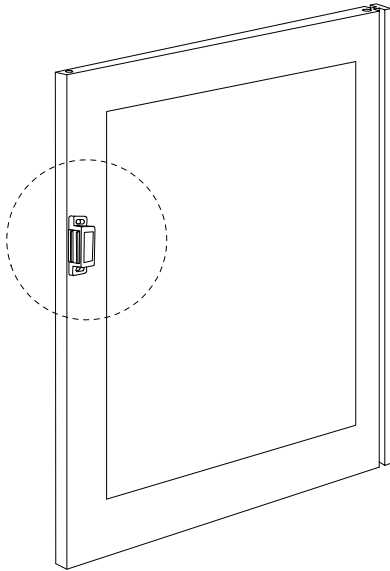
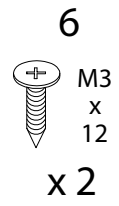
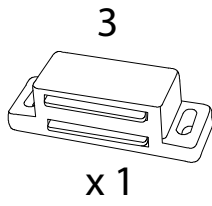
8



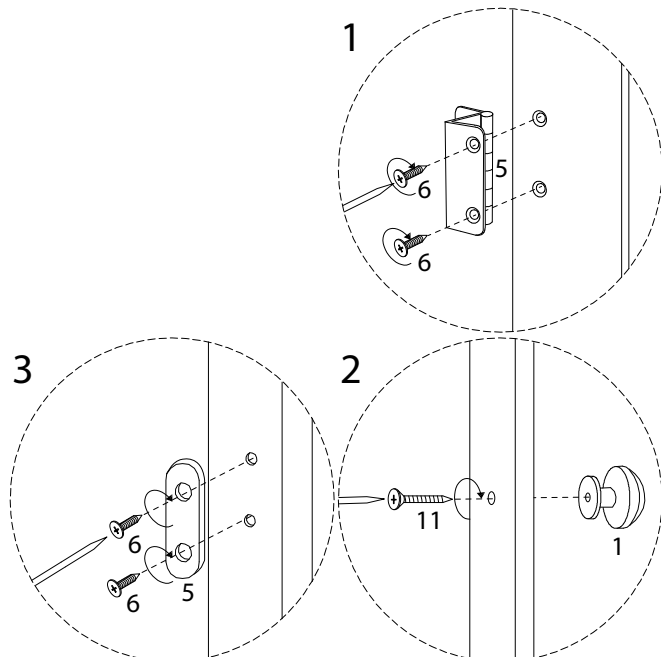
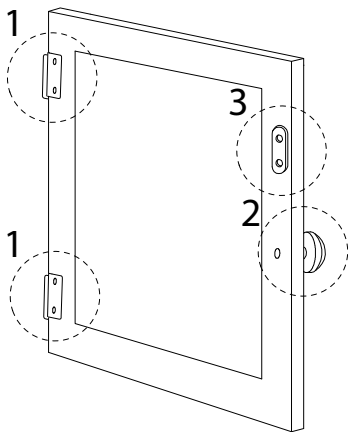
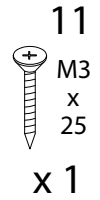
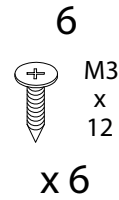
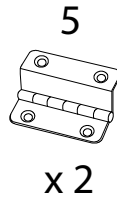
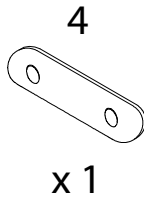
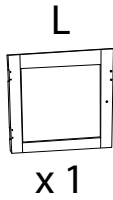
x 2



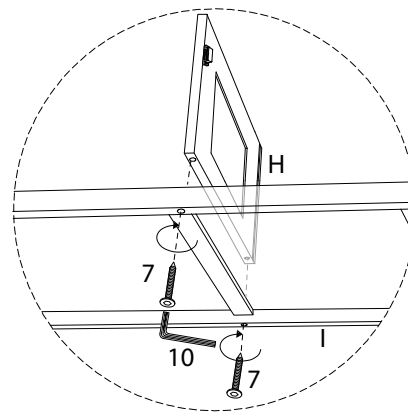
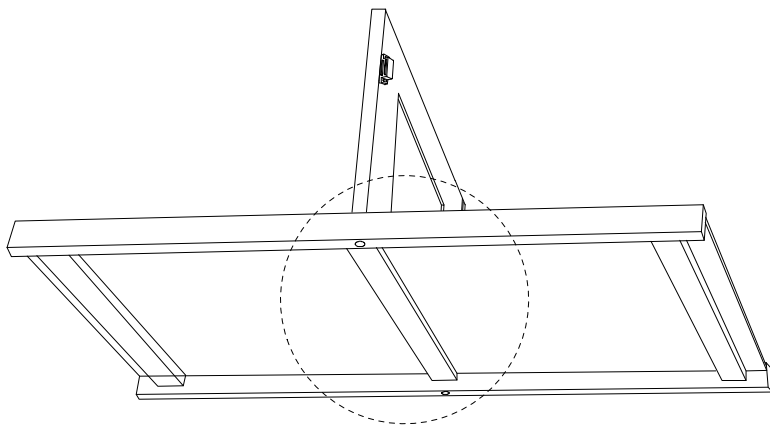
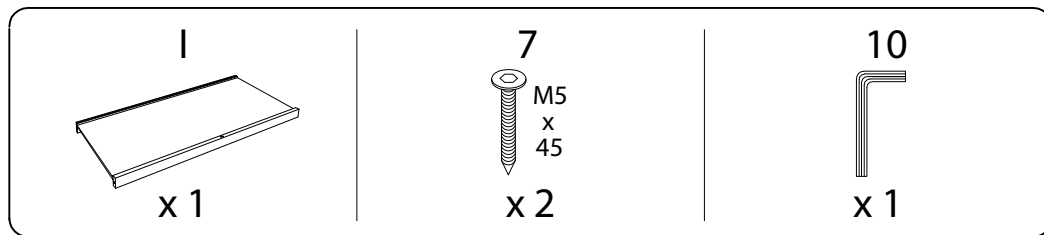
3



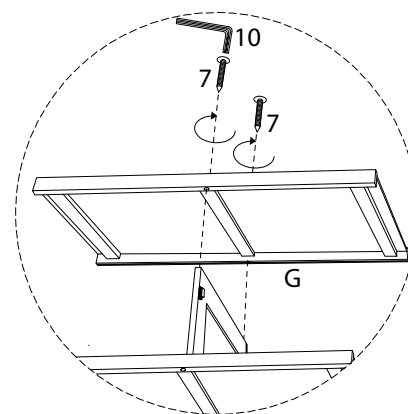
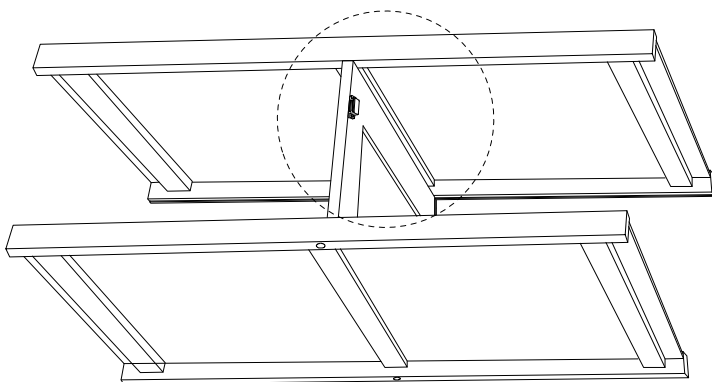
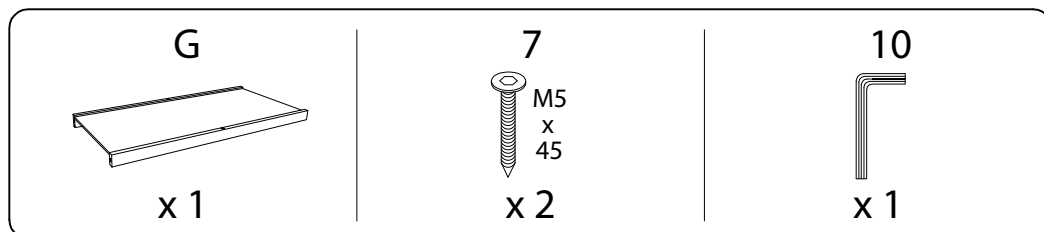
4



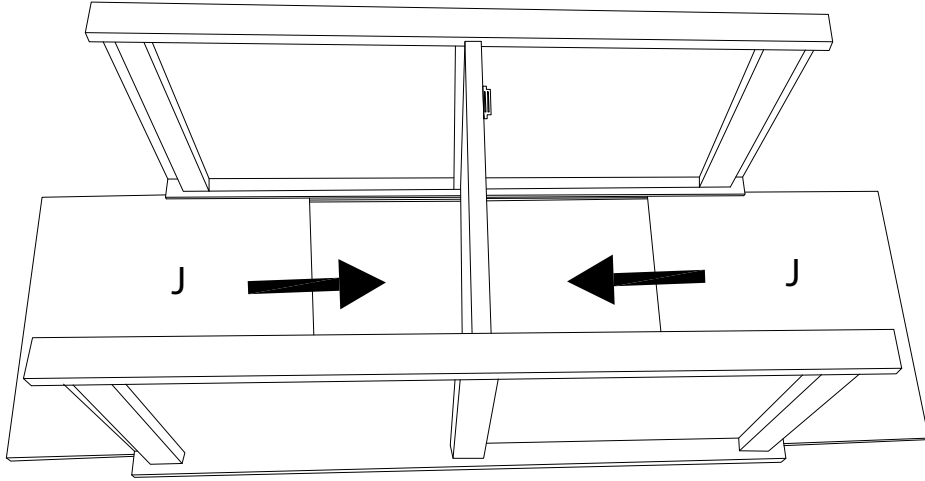
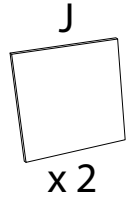
5



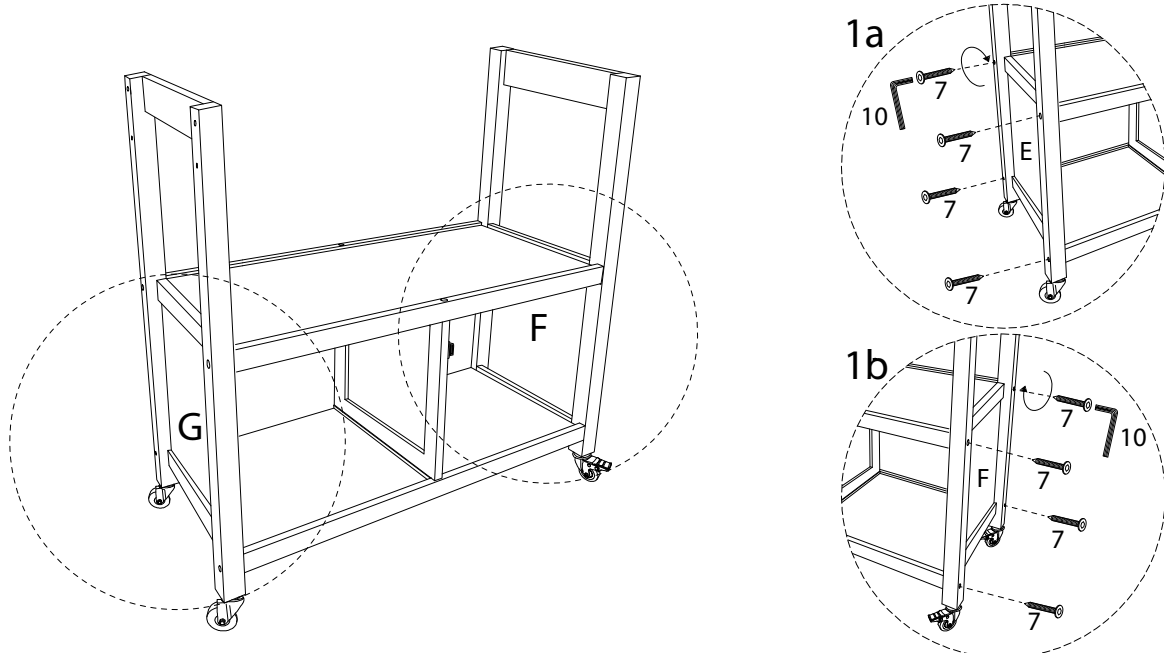
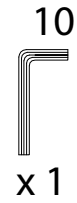
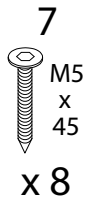
6



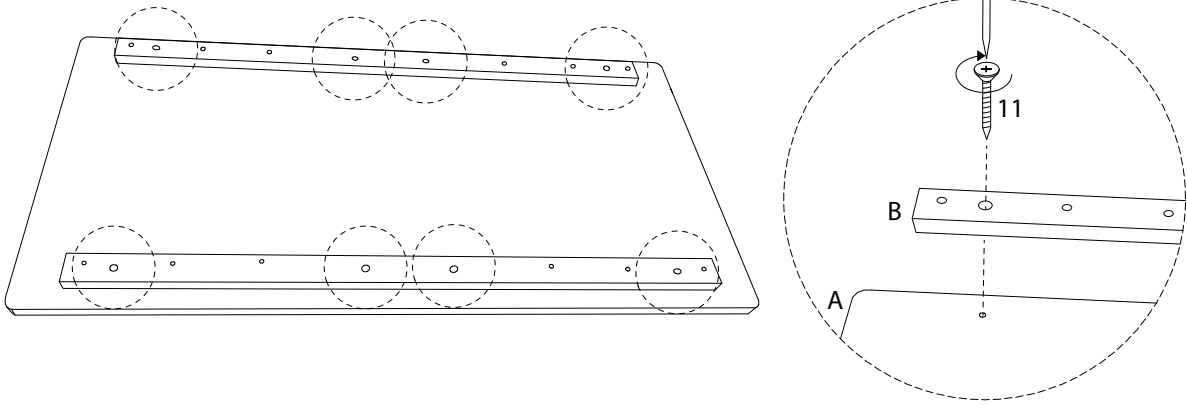
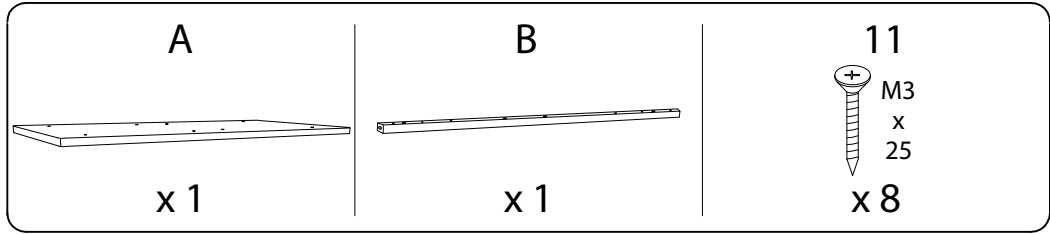
7



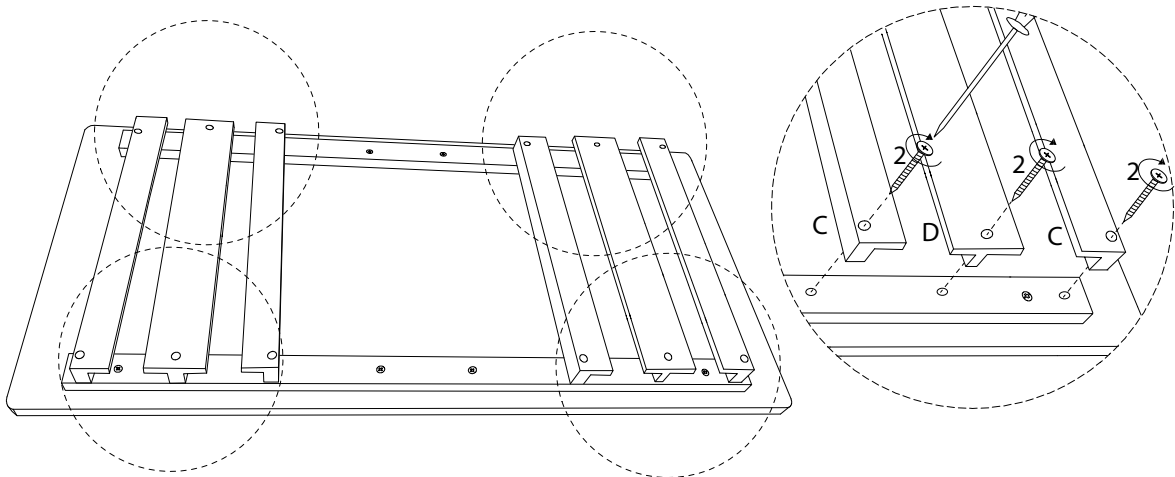
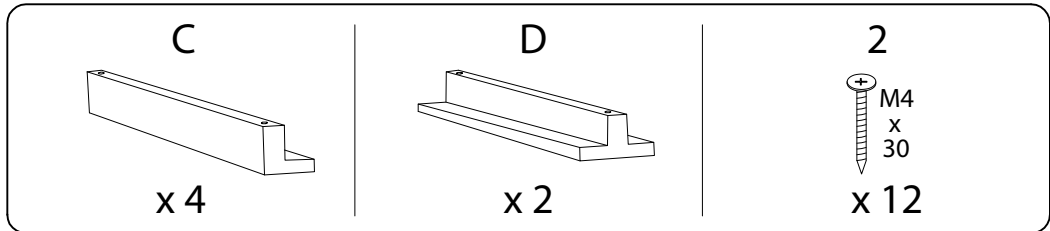
8



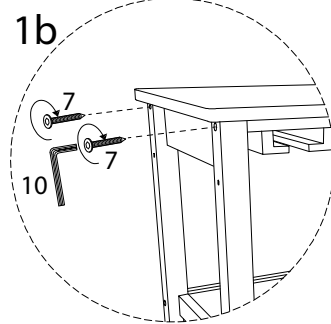
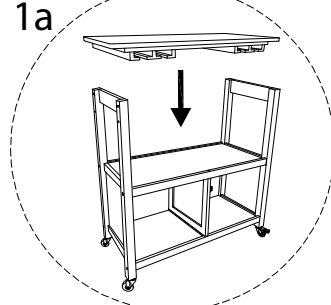
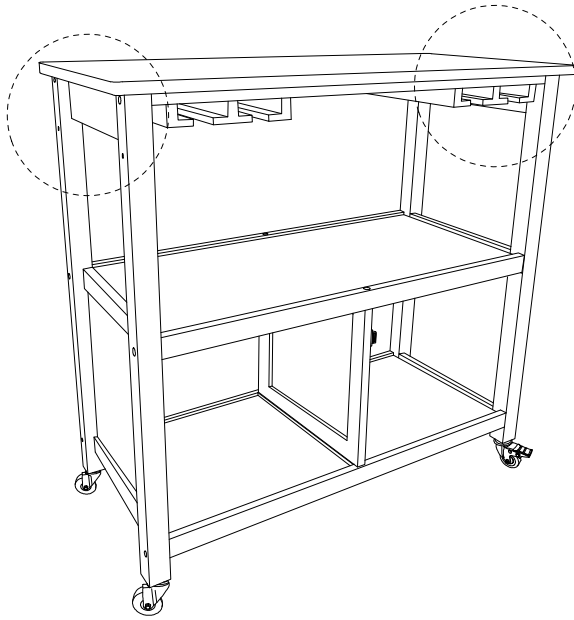
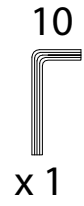
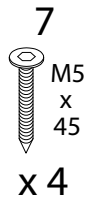
9



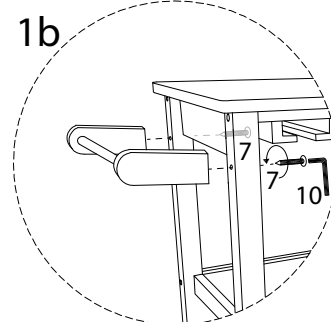
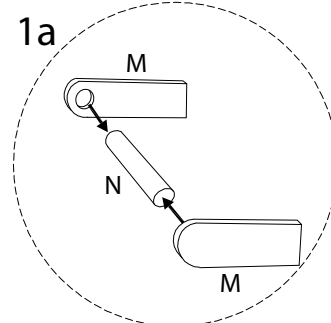
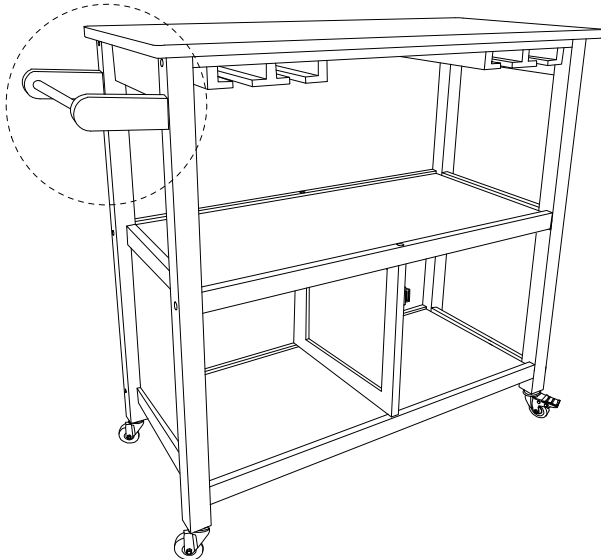
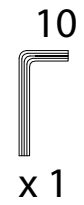
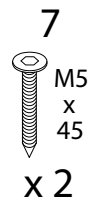
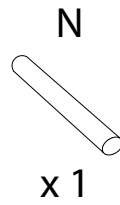
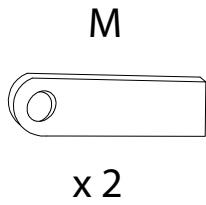
10



11

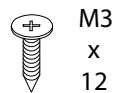


12

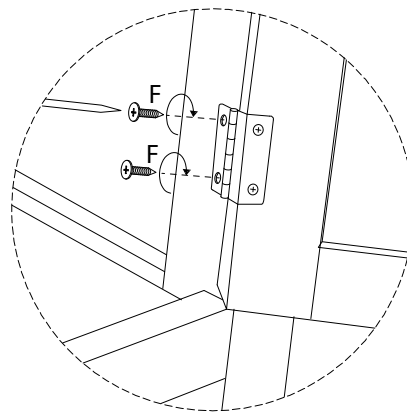
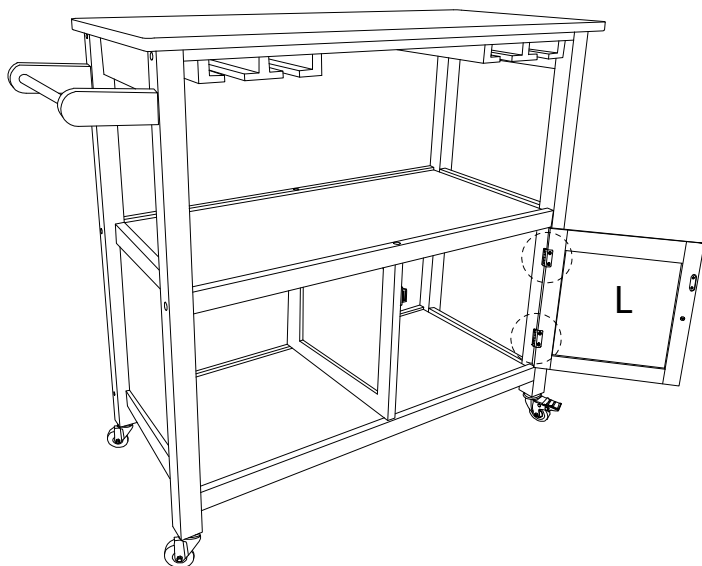


13

F

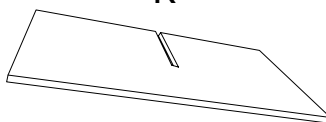


x 4



14

K



x 2

