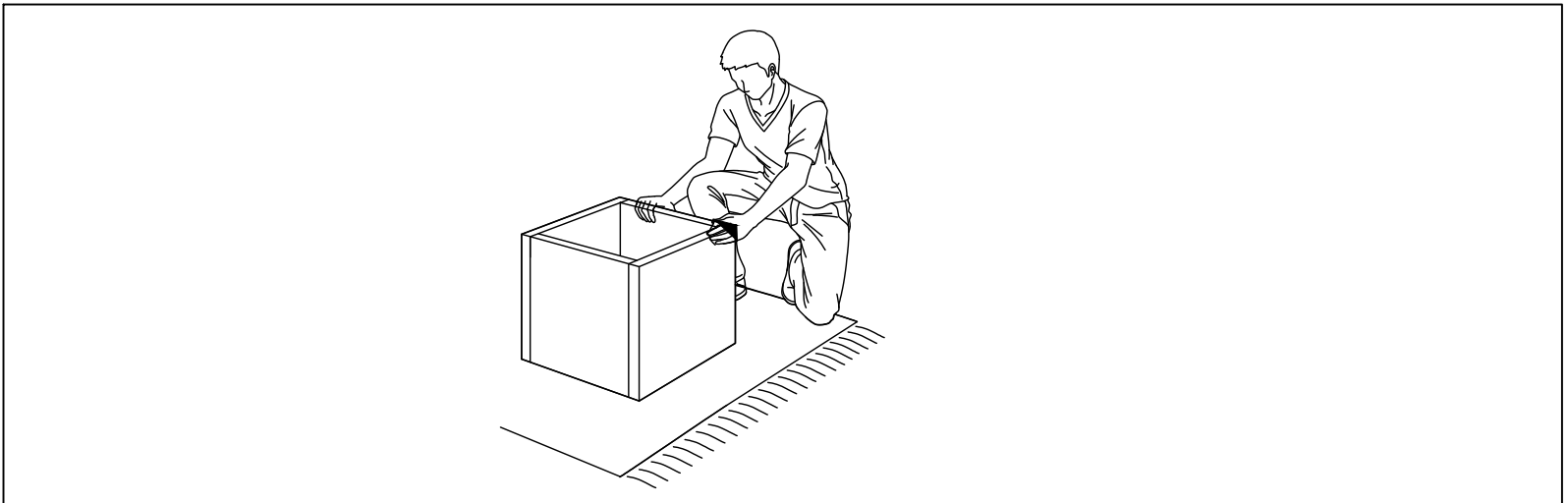
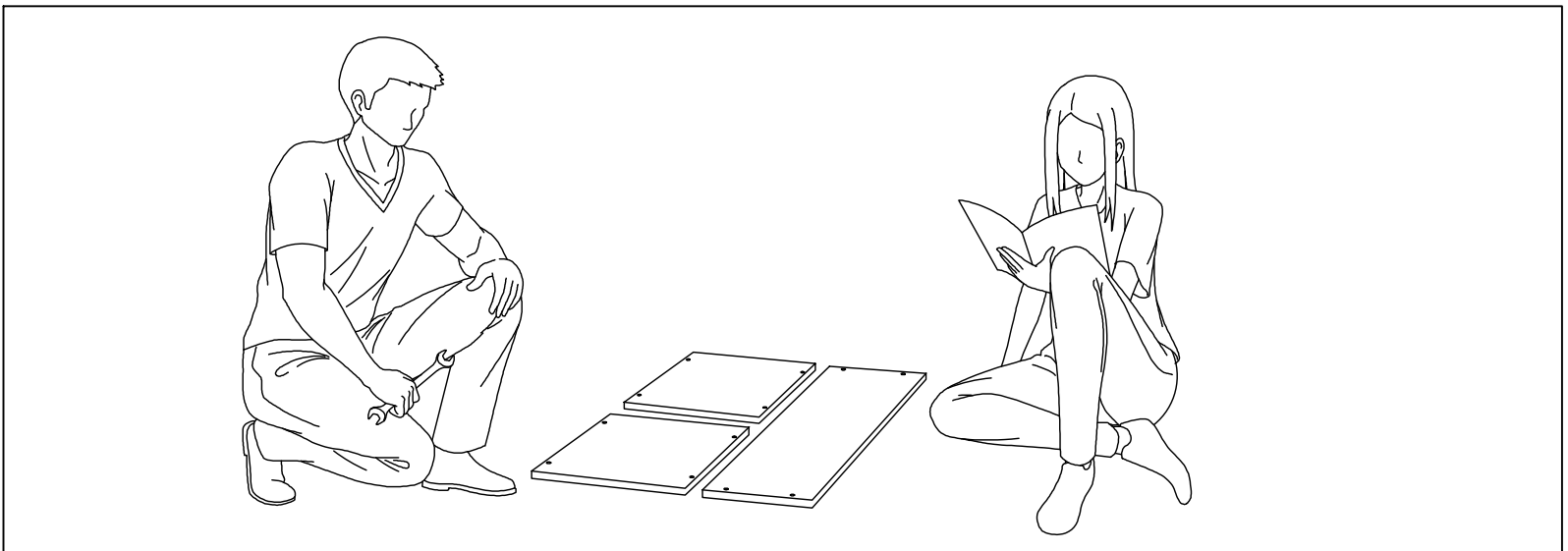


Estimated Time for Assembly

45 mins

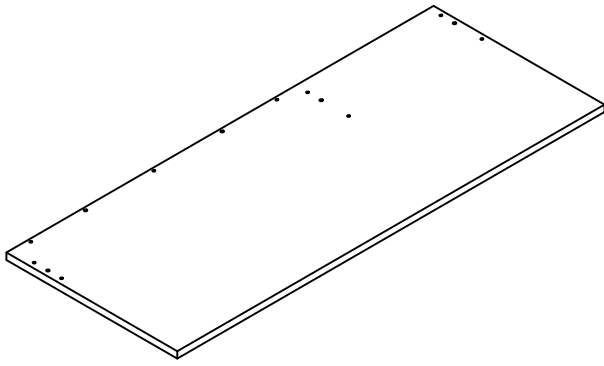


Assembly the furniture on empty carton, carpet, or rug to prevent scratches or damage.

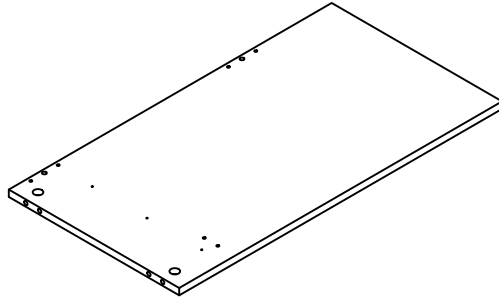


This furniture requires 2 people to assembly.
Make sure no parts are missing or damaged before assembly.

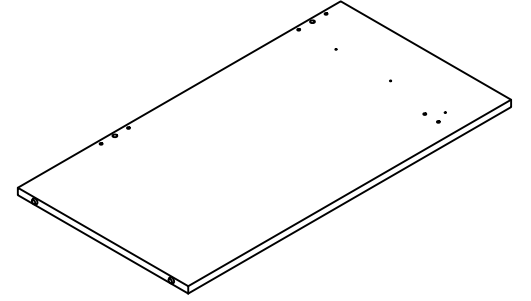
Not actual size



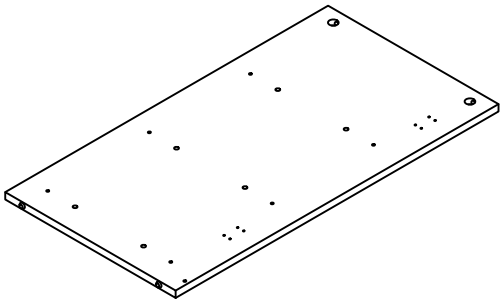
① X1



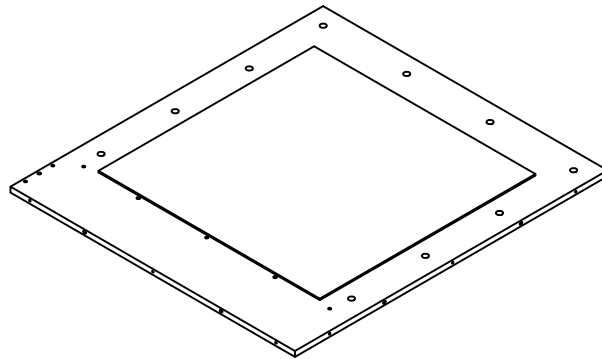
② X1



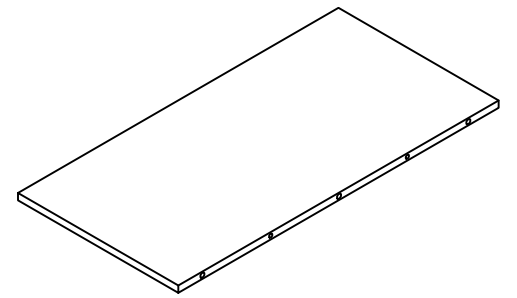
③ X1



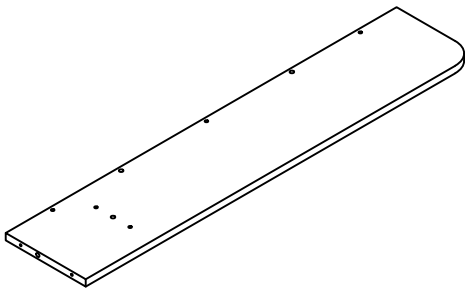
④ X1



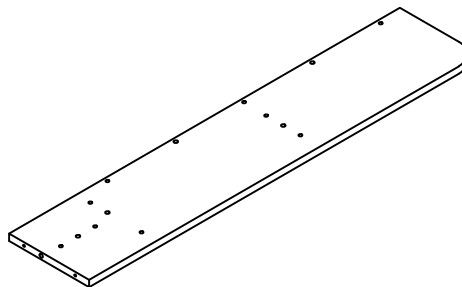
⑤ X1



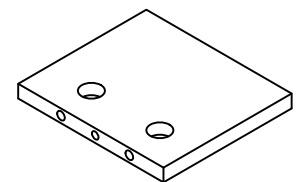
⑥ X1



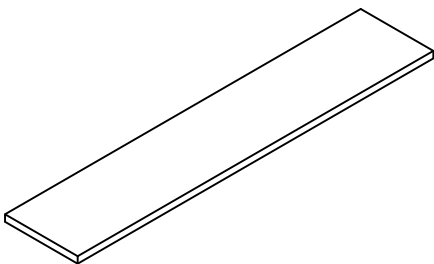
⑦ X1



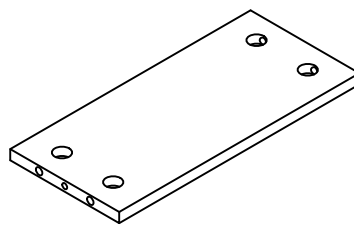
⑧ X1



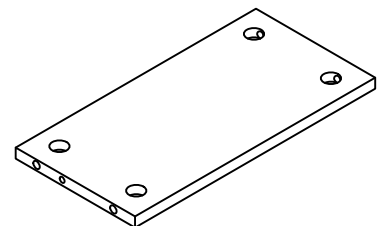
⑨ X1



⑩ X1

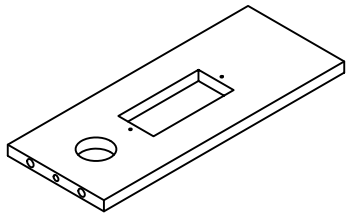


⑪ X1

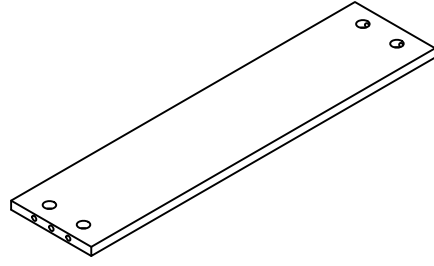


⑫ X1

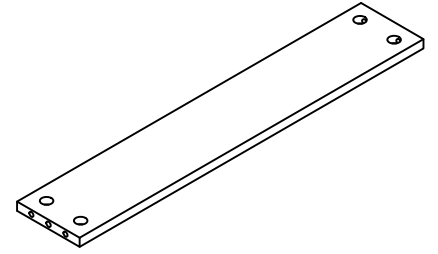
Not actual size



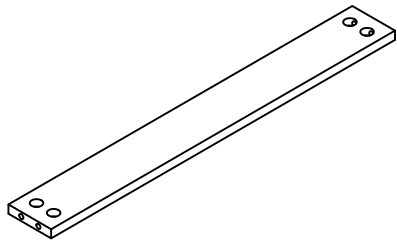
⑬ X1



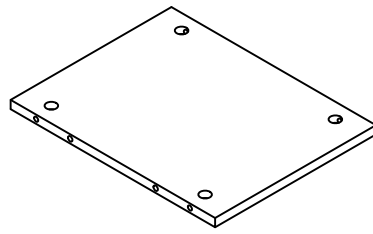
⑭ X1



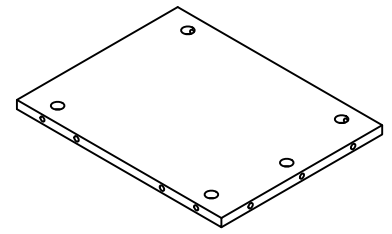
⑮ X1



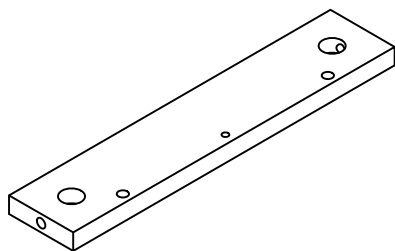
⑯ X1



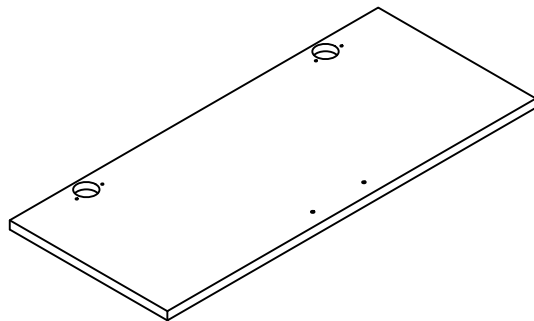
⑰ X2



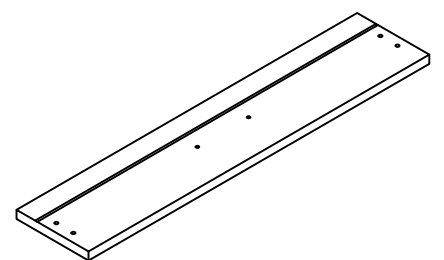
⑱ X1



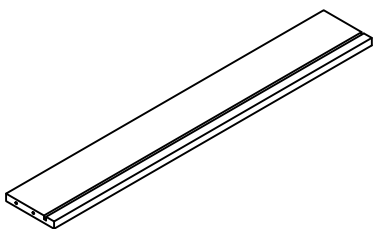
⑲ X1



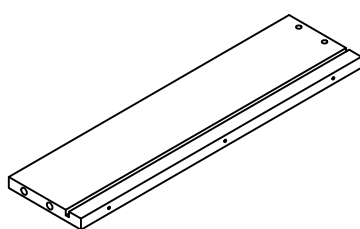
⑳ X1



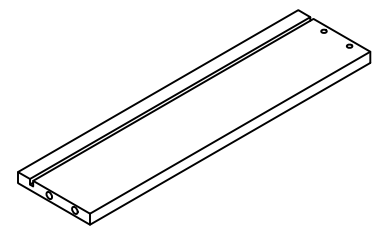
㉑ X1



㉒ X1

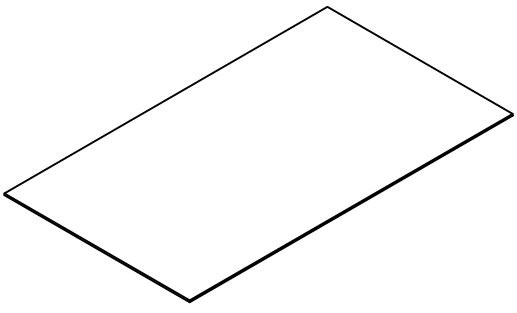


㉓ X1

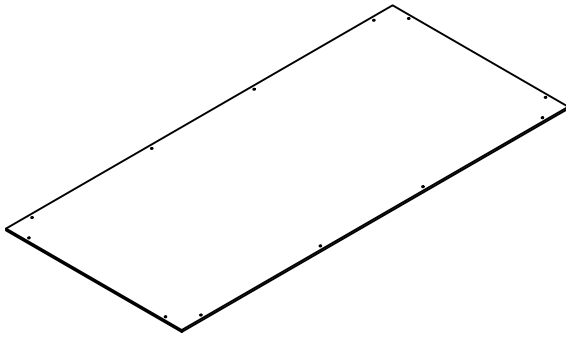


㉔ X1

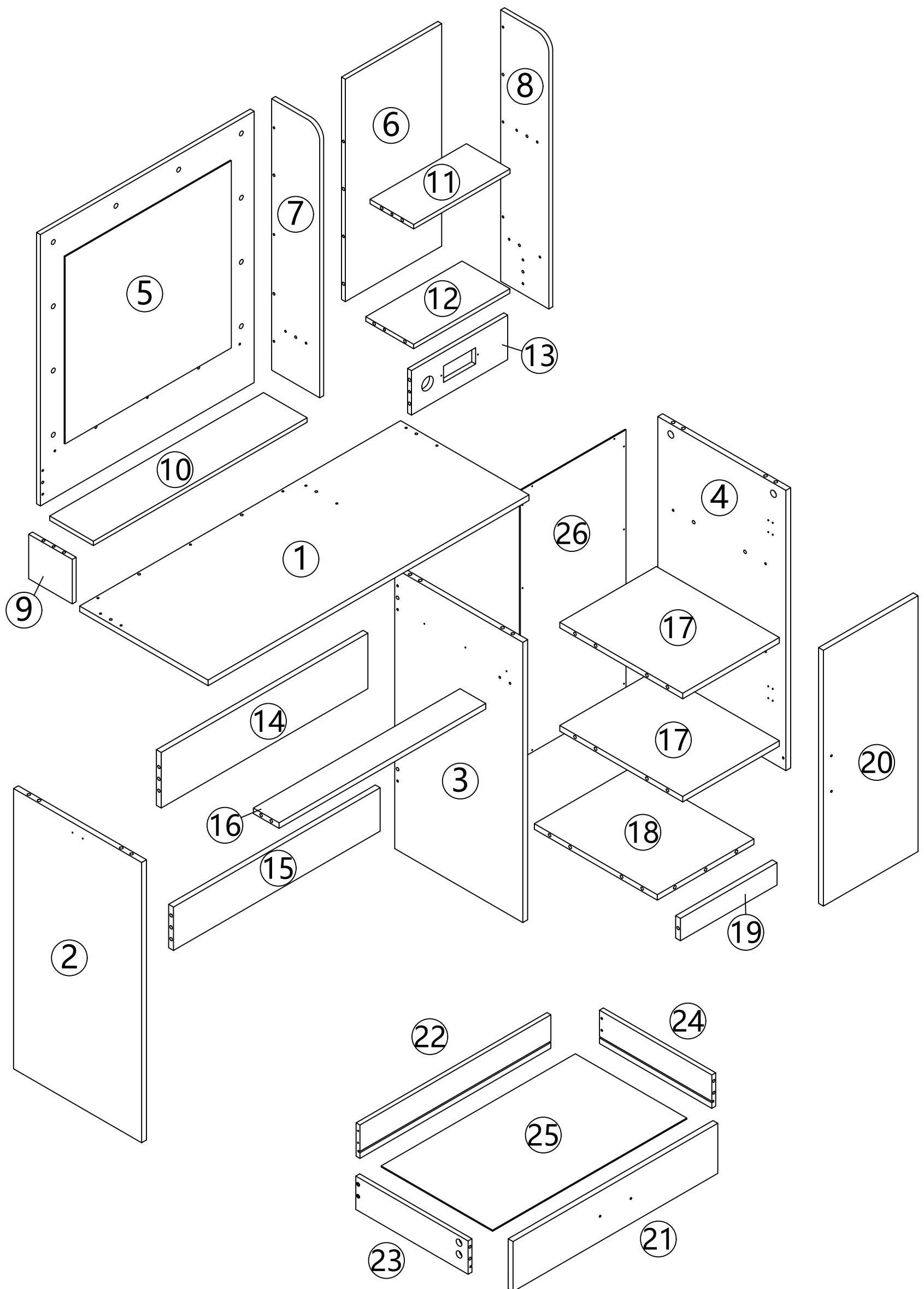
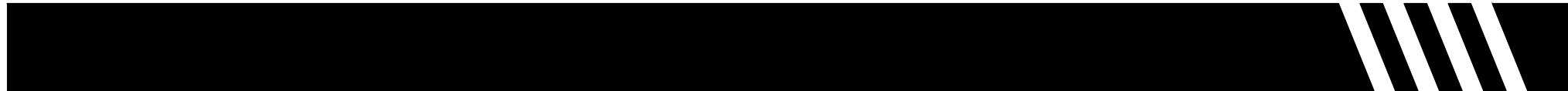
Not actual size



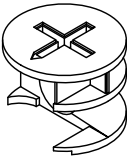
②5 X1

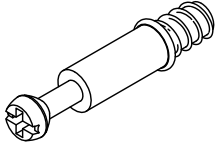


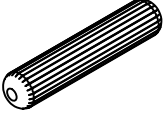
②6 X1

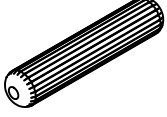


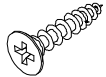


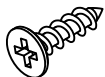
A	X57+3
	
$\phi 15 * 9.5$	

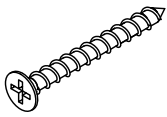
B	X57+3
	
$\phi 6.5 * 35$	

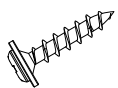
C	X16+1
	
$\phi 8 * 30$	

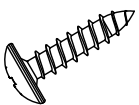
D	X30+3
	
$\phi 6 * 30$	

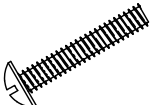
E	X24+2
	
$\phi 3.5 * 14$	

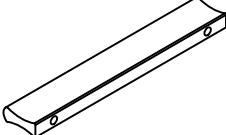
F	X2+1
	
$\phi 3 * 12$	


G	X23+2
	
$\phi 4 * 35$	

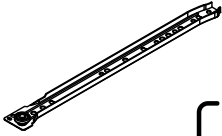
H	X12+1
	
$\phi 3 * 14$	

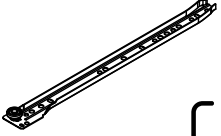
I	X2+1
	
$\phi 4 * 14$	

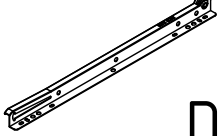
J	X4
	
$\phi 4 * 18$	

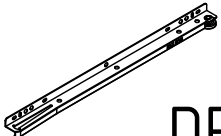
K	X2
	
106*16*8	

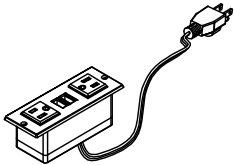
L	X1
	
109*99*38.5	

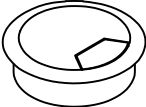
M	X1
	
CL	
L=350	

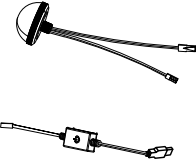
M	X1
	
CR	
L=350	

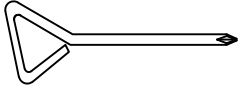
M	X1
	
DL	
L=350	

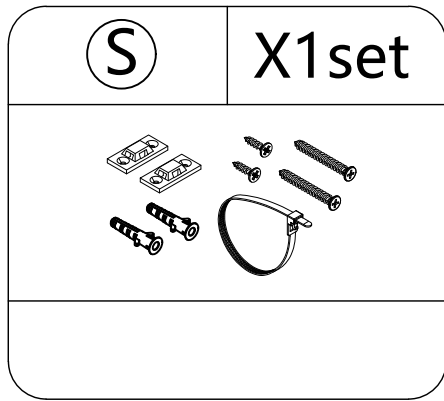
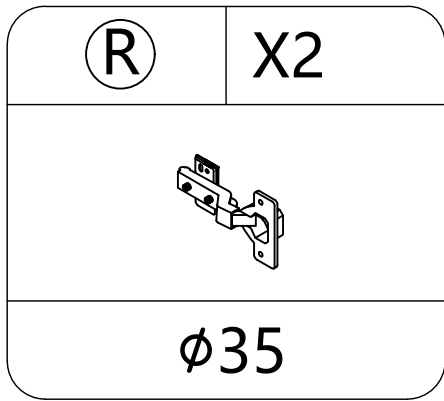
M	X1
	
DR	
L=350	

N	X1
	

O	X1
	
$\phi 35$	

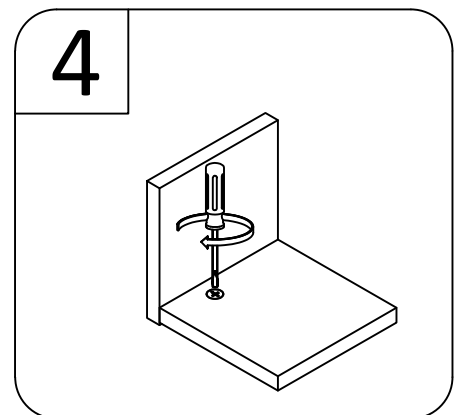
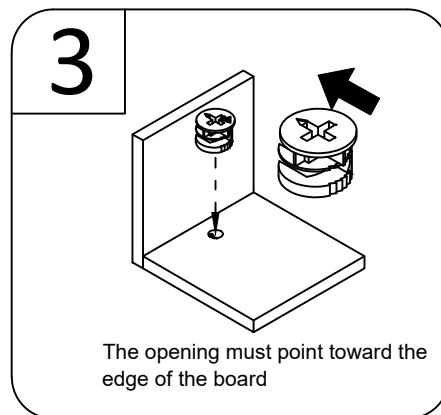
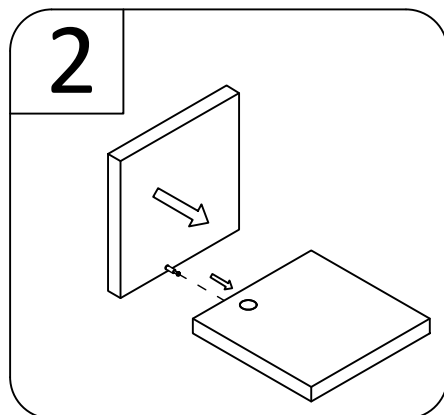
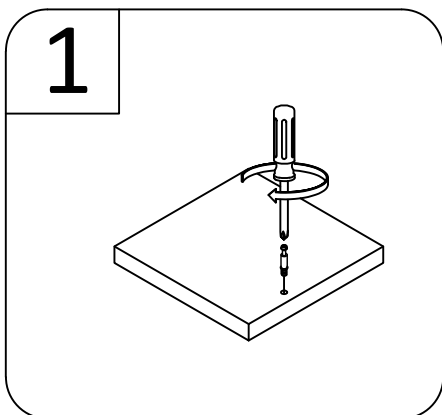
P	X10+2
	

Q	X1
	
72*30*5	

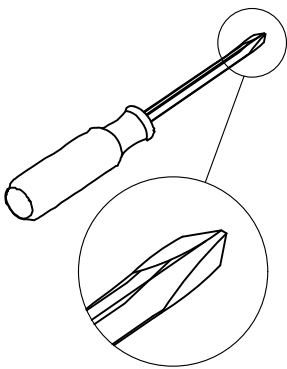



Cam Lock Fastening System

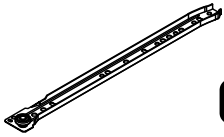
Insert the cam bolt into the hole first, then insert the cam lock and lock it.

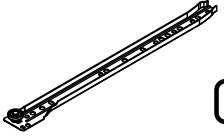


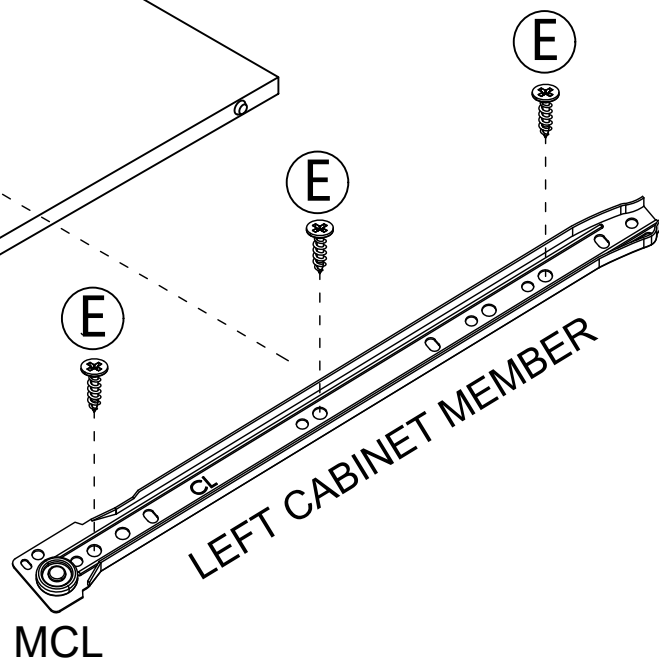
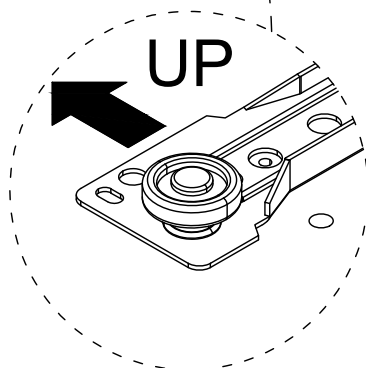
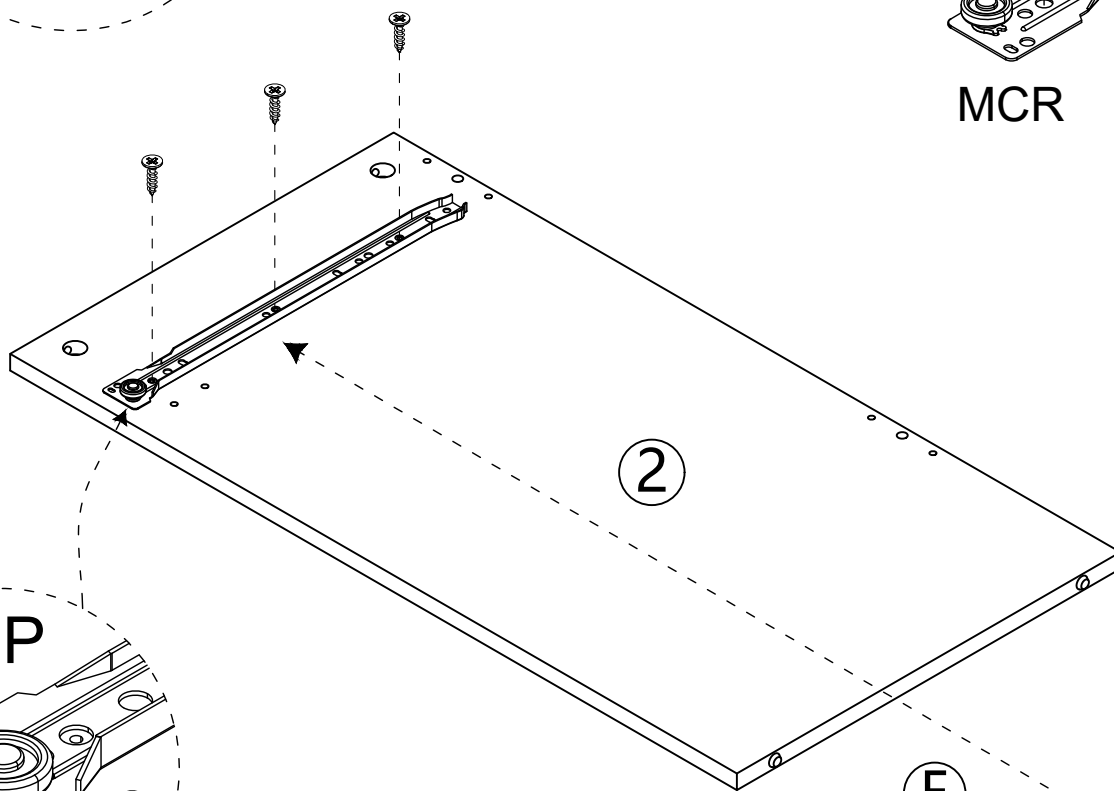
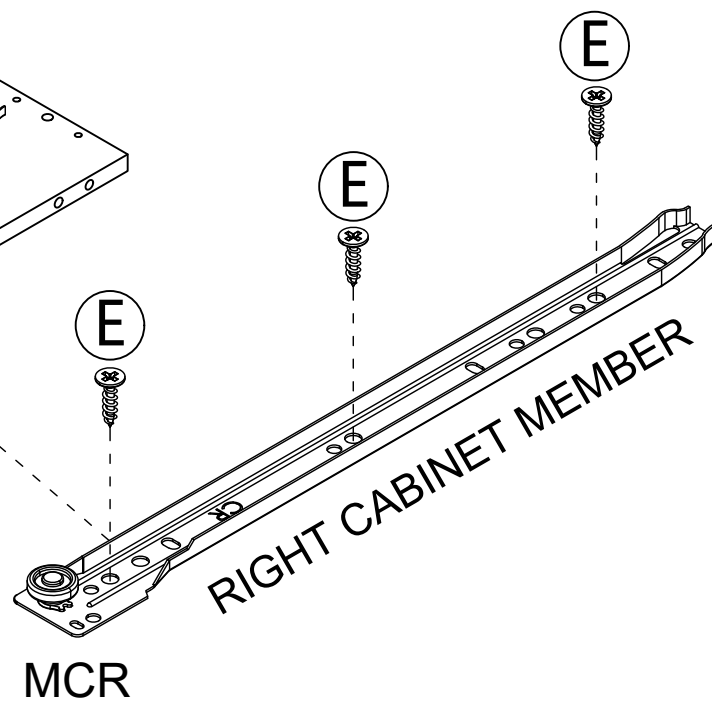
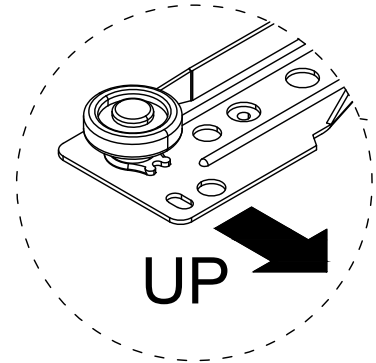
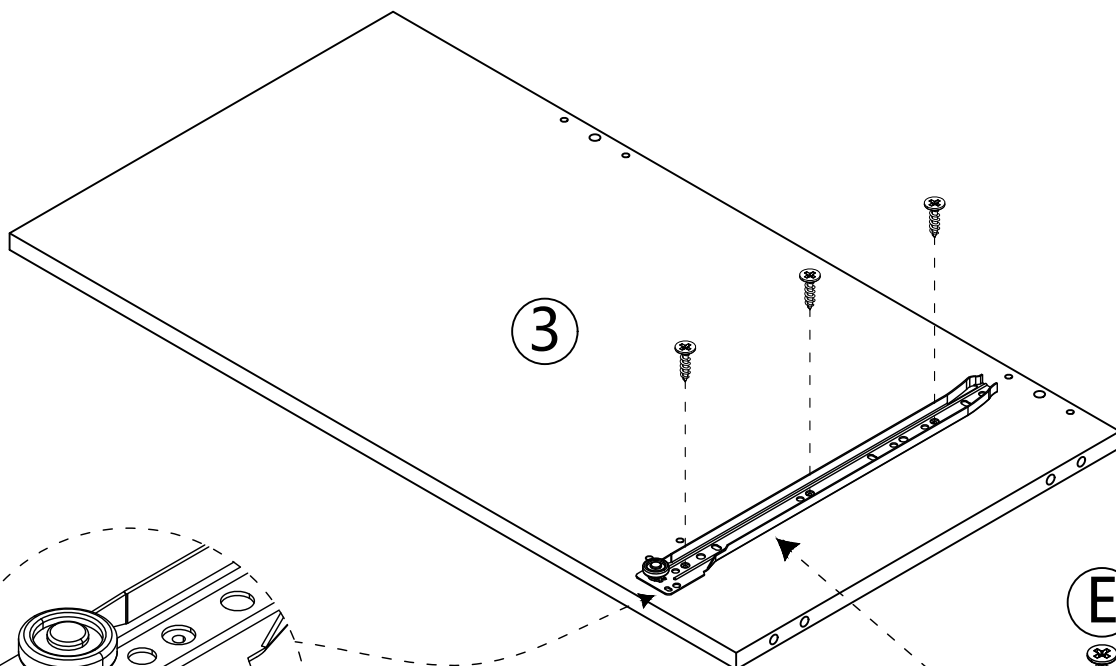
STEP 1



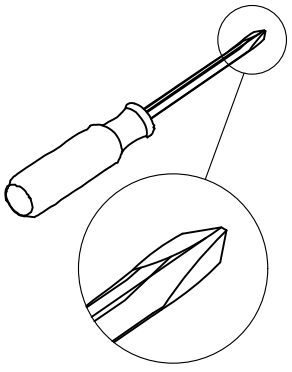
(E)	X6
	
Ø3.5*14	

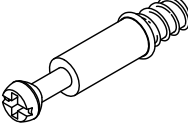
(M)	X1
	
CL L=350	

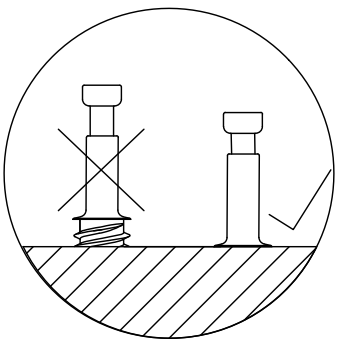
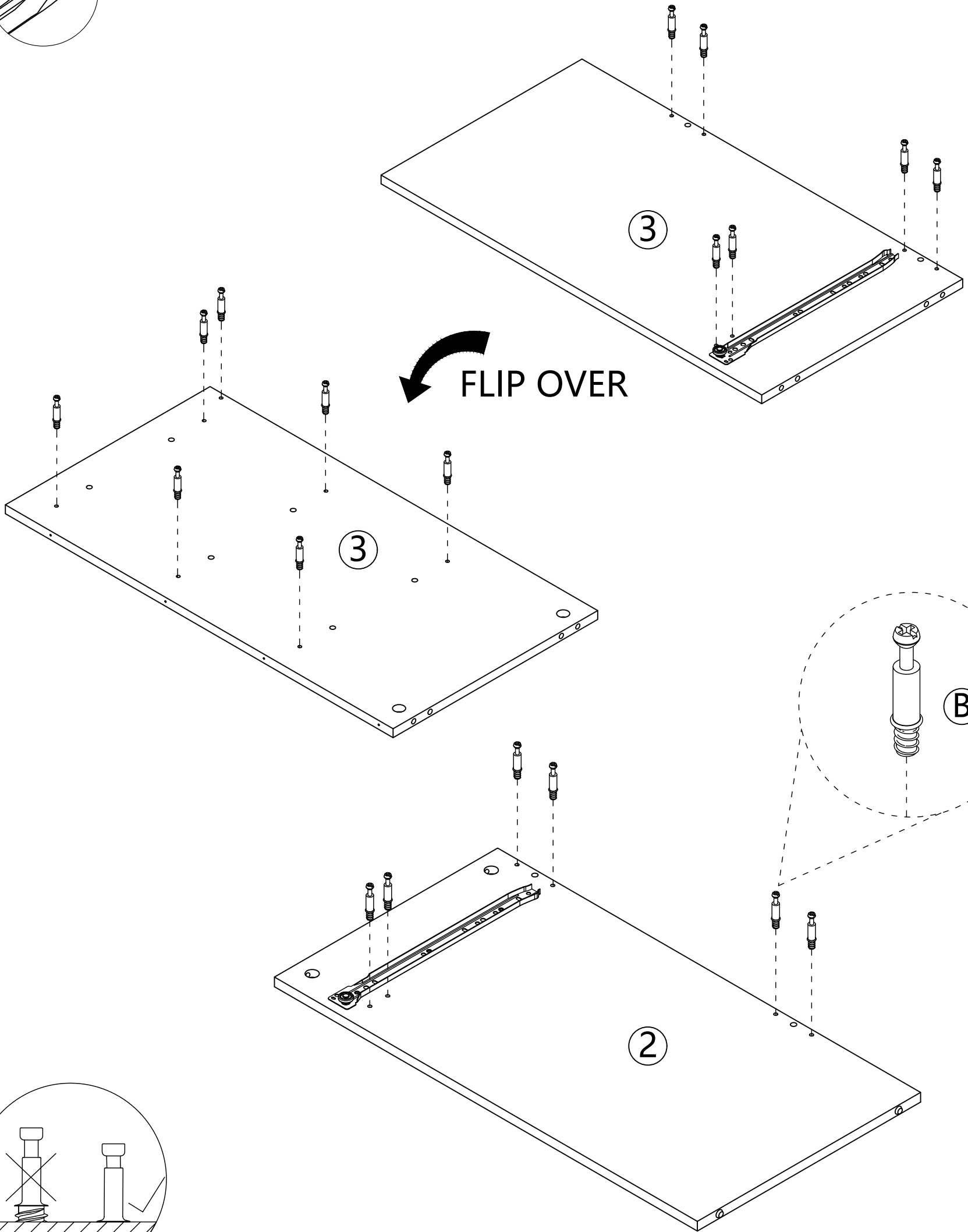
(M)	X1
	
CR L=350	



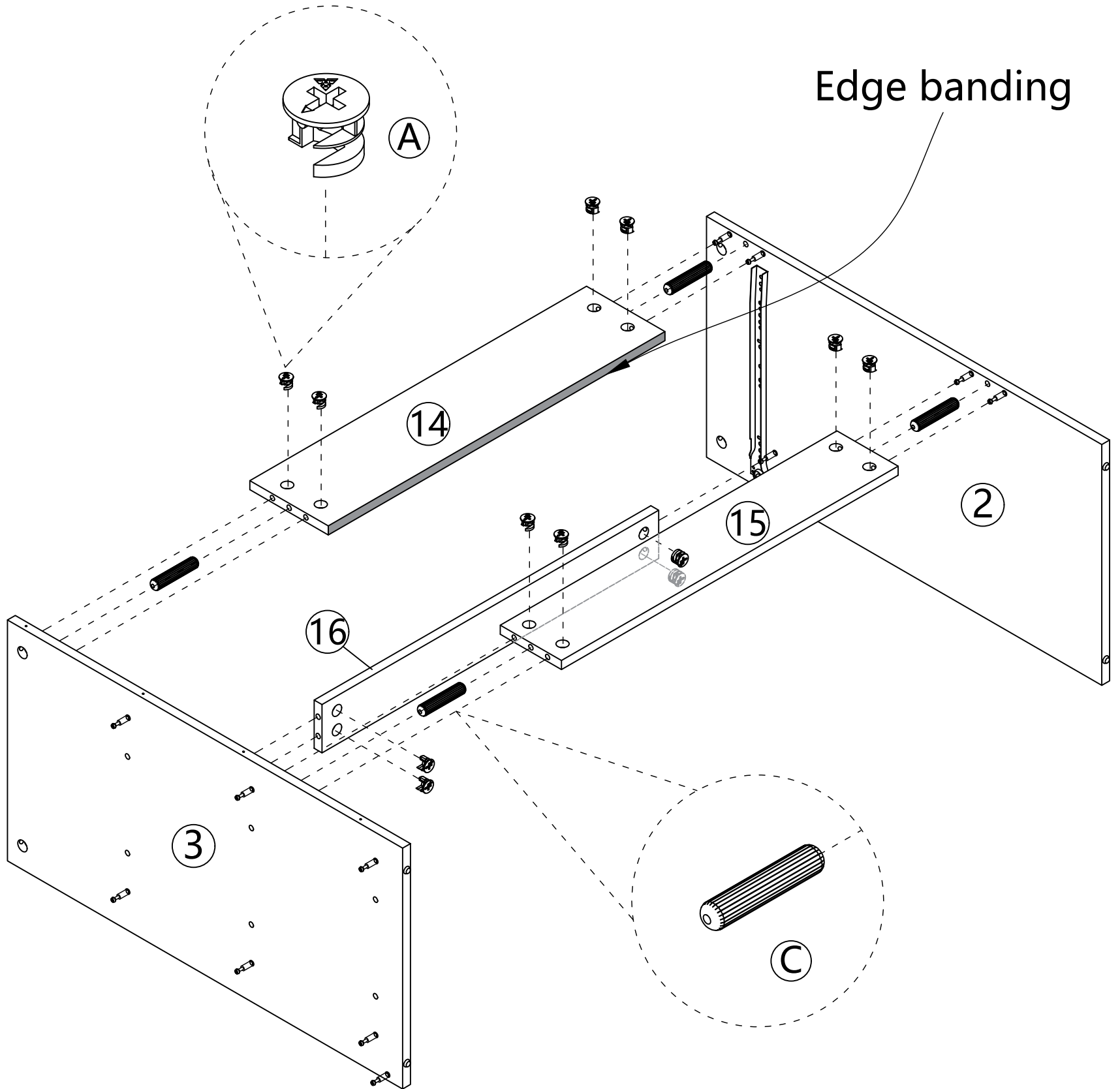
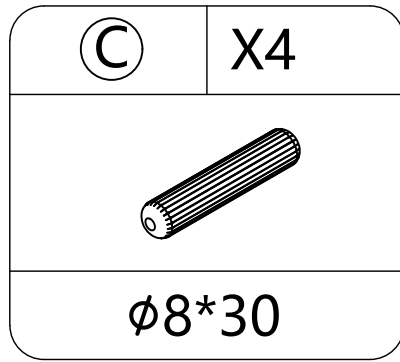
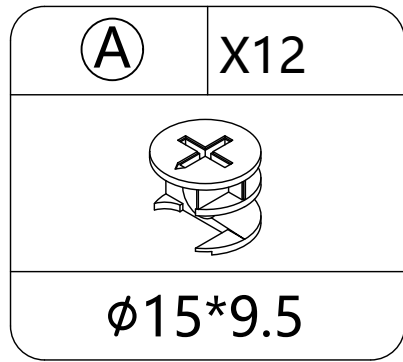
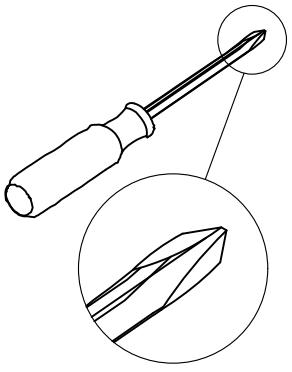
STEP 2



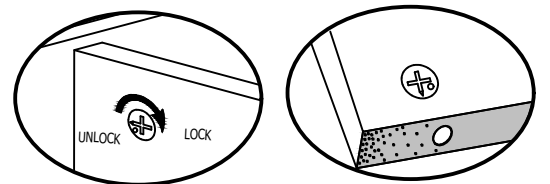
(B)	X19
	
Ø6.5*35	



STEP 3

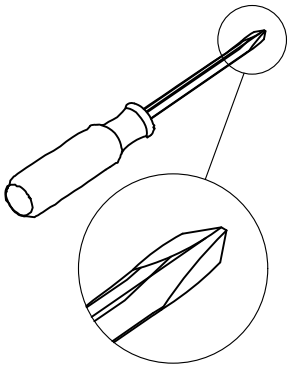


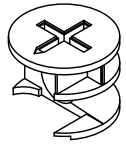
Insert the cam bolt into the hole first, then insert the cam lock and lock it.

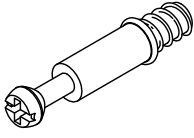


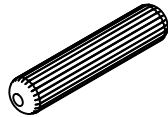
Proper orientation of CAM LOCK

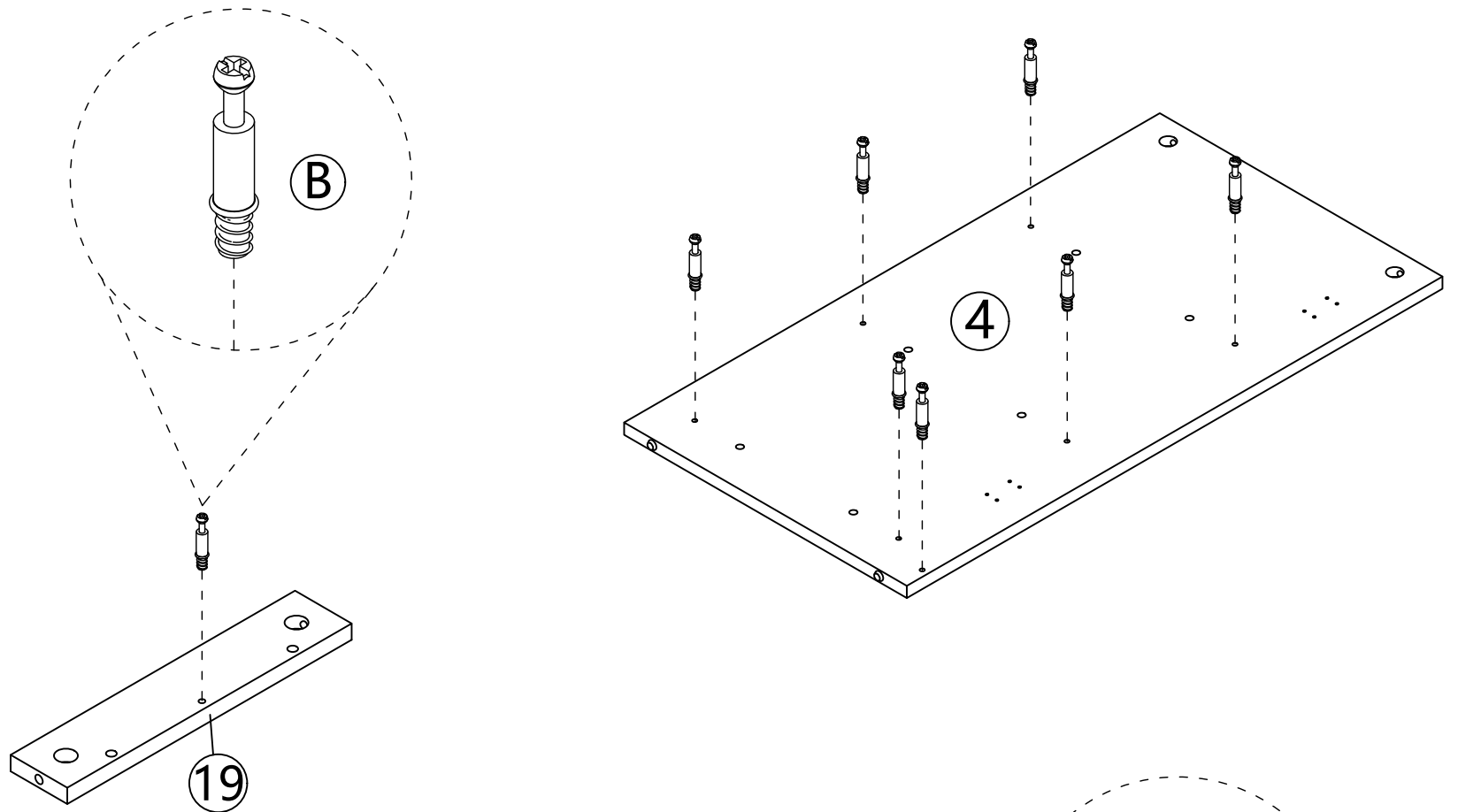
STEP 4



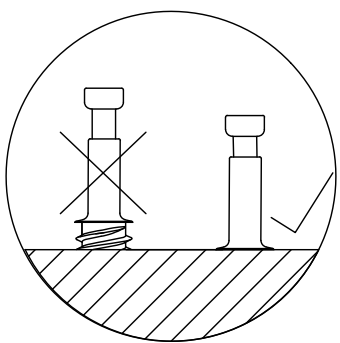
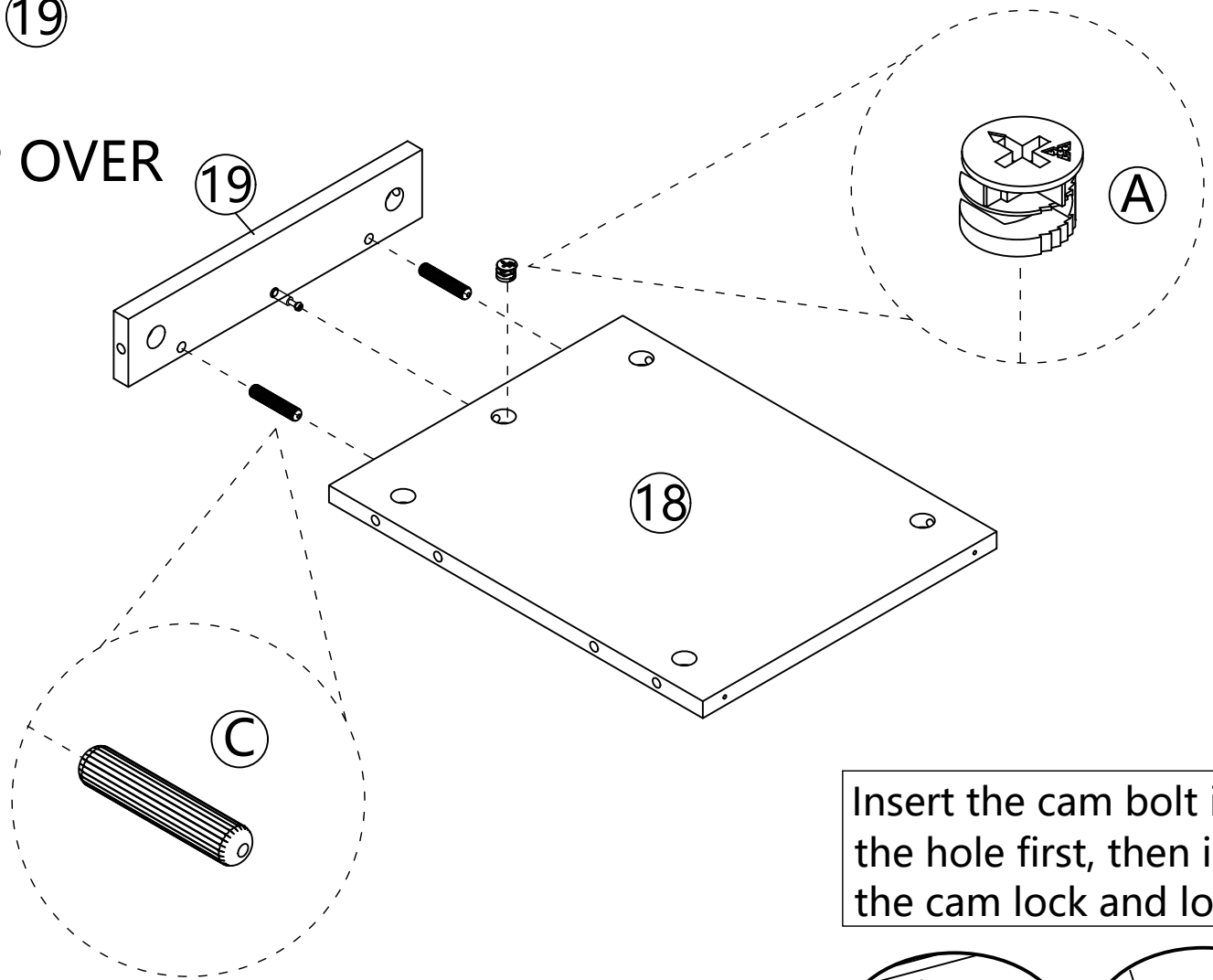
(A)	X1
	
ø15*9.5	

(B)	X8
	
ø6.5*35	

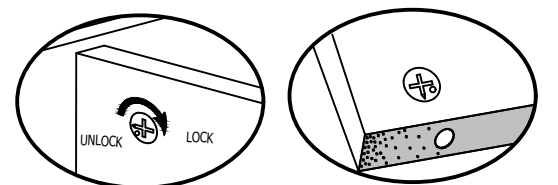
(C)	X2
	
ø8*30	



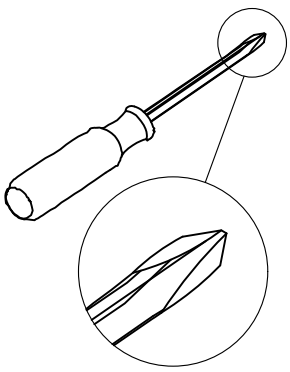
FLIP OVER



Insert the cam bolt into the hole first, then insert the cam lock and lock it.



STEP 5

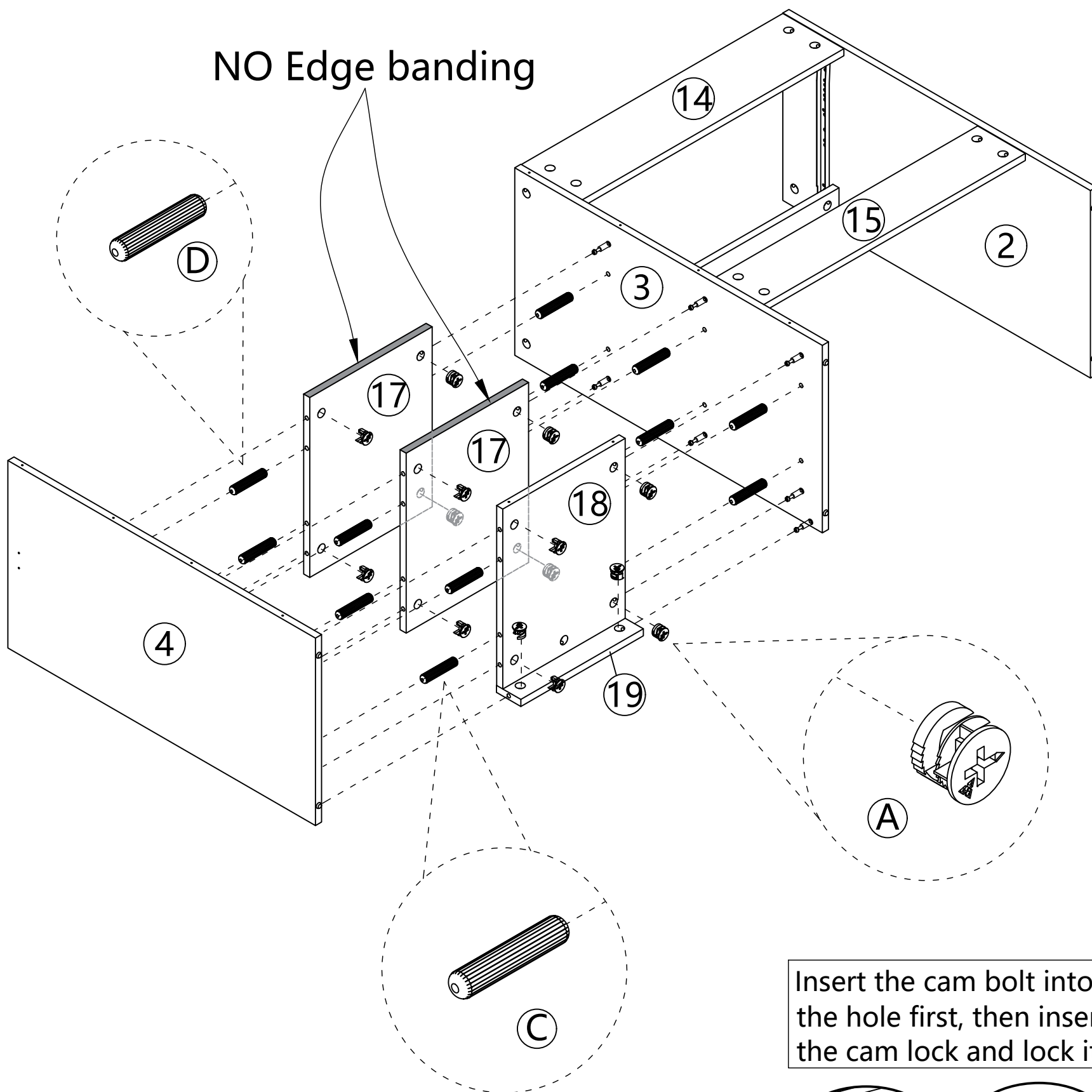


(A)	X14
$\phi 15 * 9.5$	

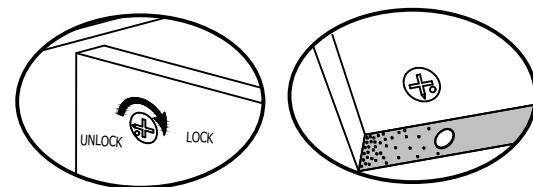
(C)	X4
$\phi 8 * 30$	

(D)	X8
$\phi 6 * 30$	

NO Edge banding

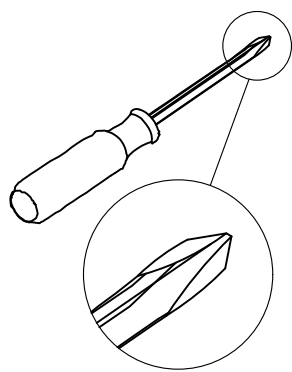


Insert the cam bolt into the hole first, then insert the cam lock and lock it.



Proper orientation of CAM LOCK

STEP 6

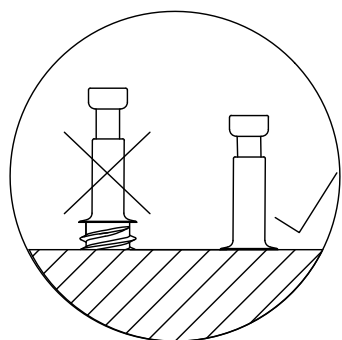
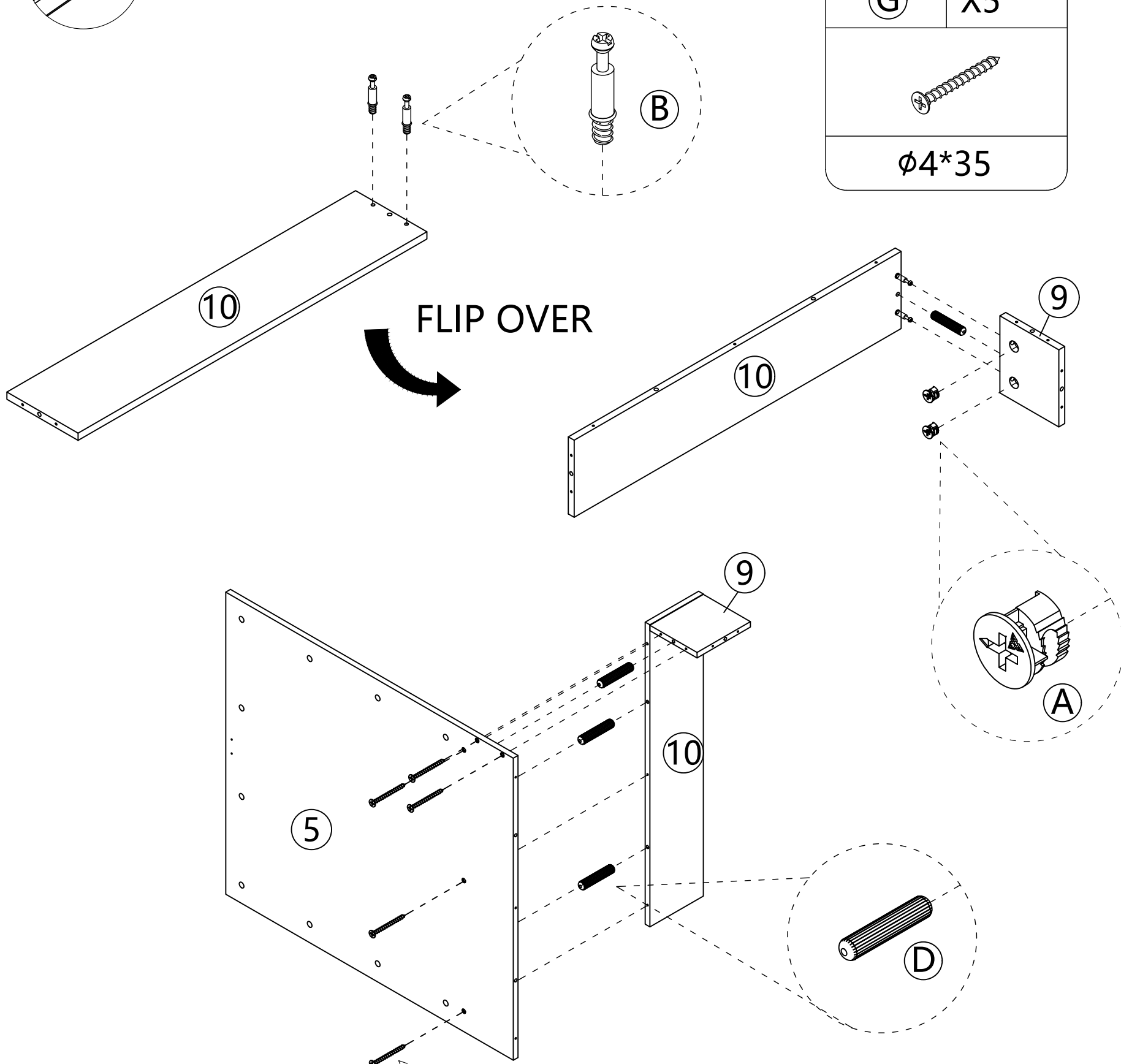


(A)	X2
$\phi 15 * 9.5$	

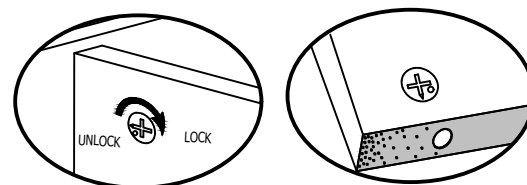
(B)	X2
$\phi 6.5 * 35$	

(D)	X4
$\phi 6 * 30$	

(G)	X5
$\phi 4 * 35$	

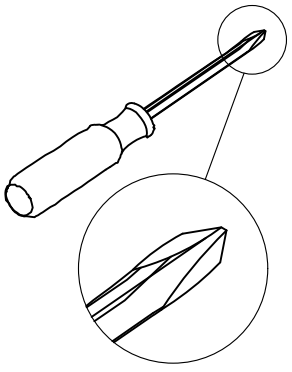


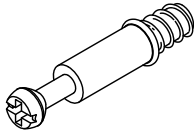
Insert the cam bolt into the hole first, then insert the cam lock and lock it.

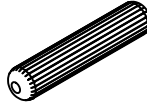


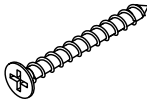
Proper orientation of CAM LOCK

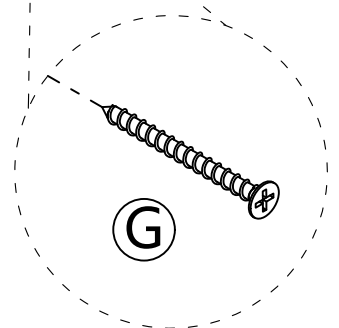
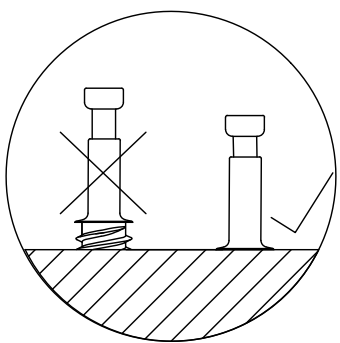
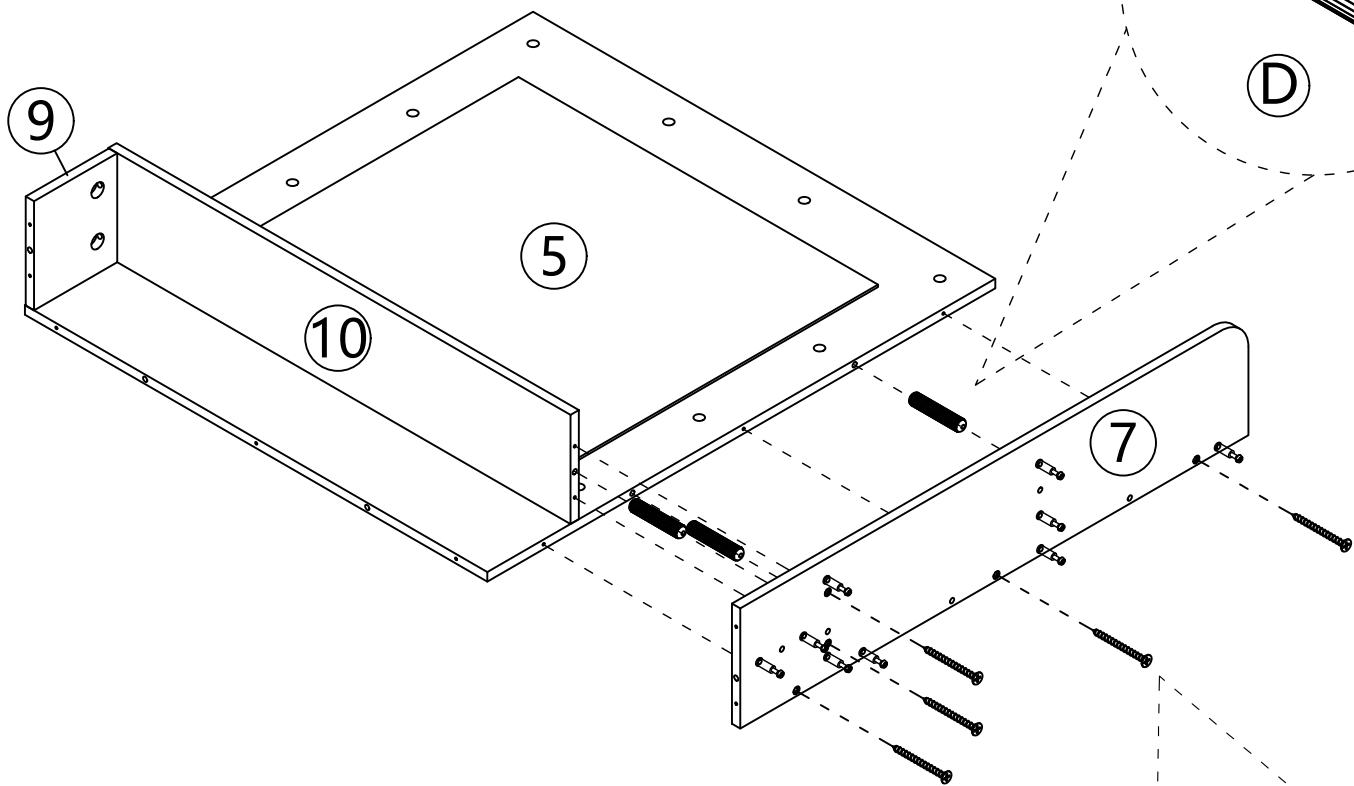
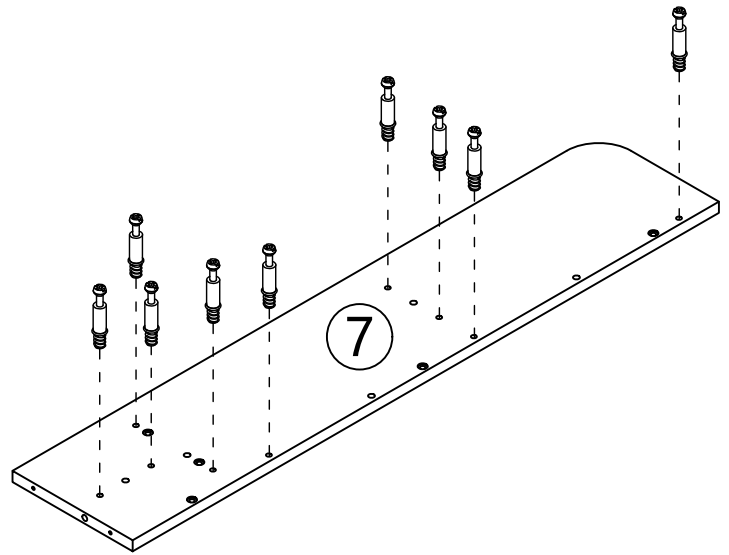
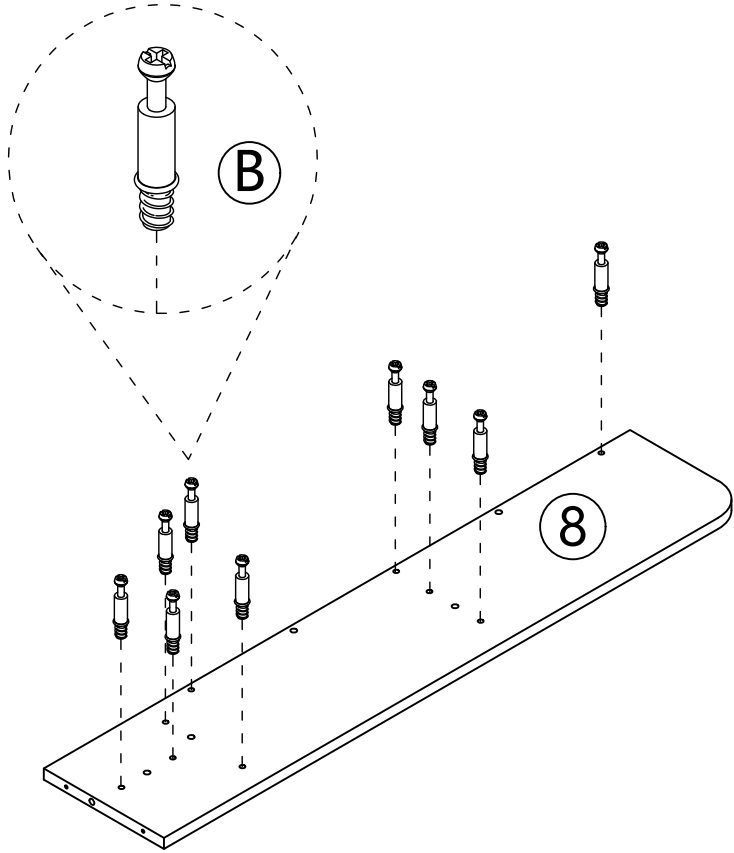
STEP 7



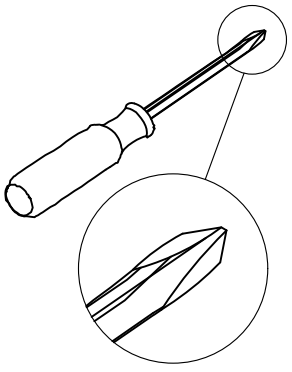
(B)	X18
	
$\phi 6.5 \times 35$	


(D)	X3
	
$\phi 6 \times 30$	

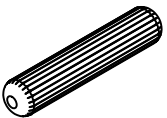
(G)	X5
	
$\phi 4 \times 35$	

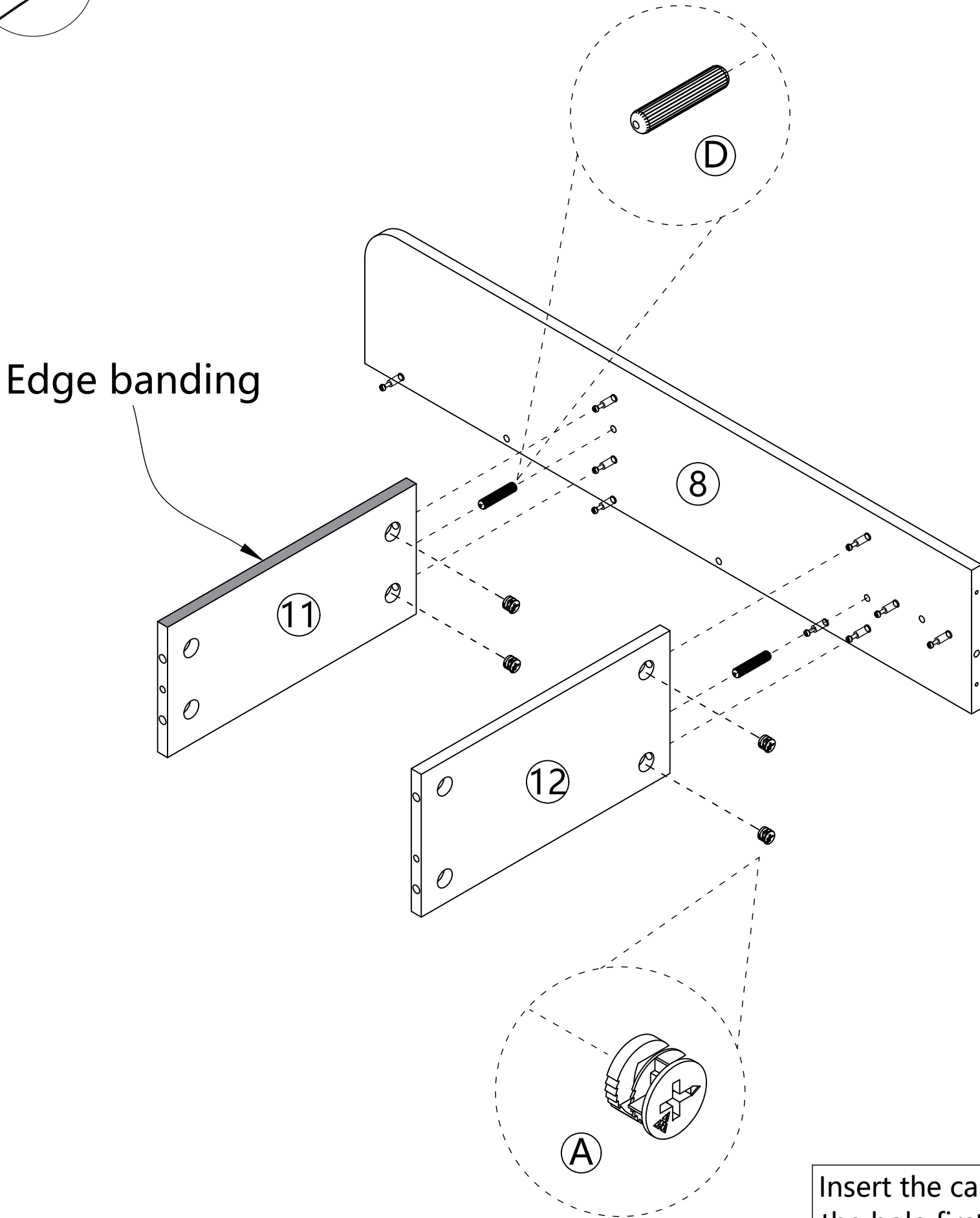


STEP 8

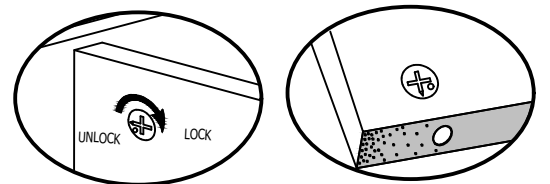


(A)	X4
	
ø15*9.5	

(D)	X2
	
ø6*30	

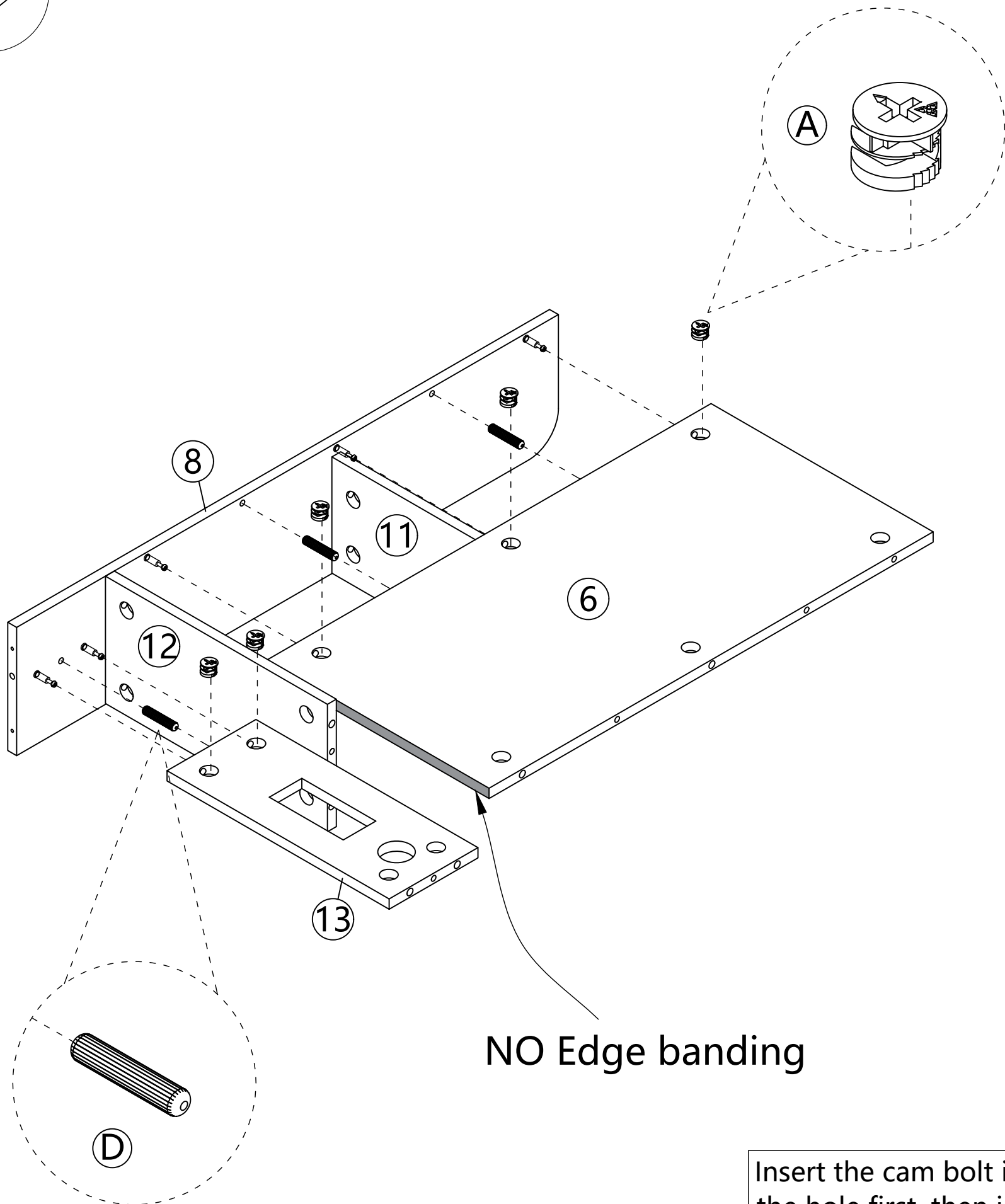
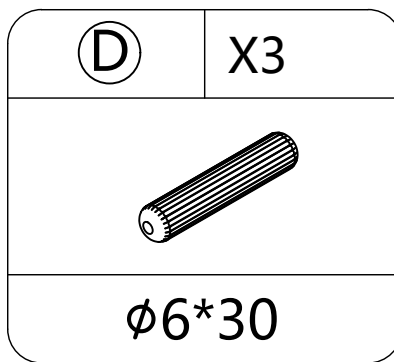
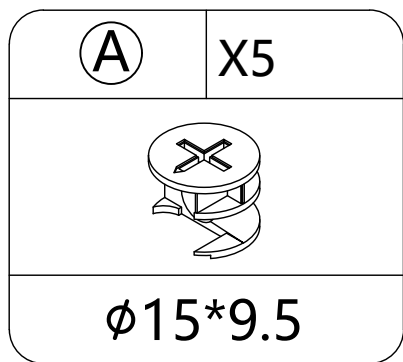
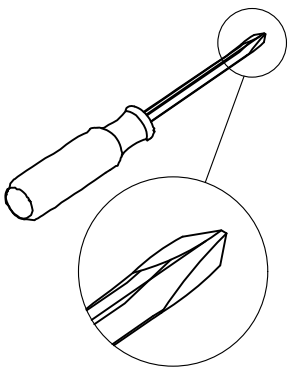


Insert the cam bolt into the hole first, then insert the cam lock and lock it.

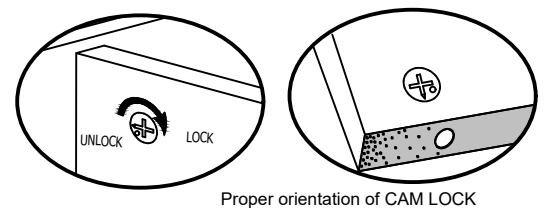


Proper orientation of CAM LOCK

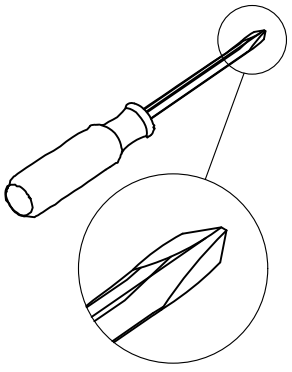
STEP 9

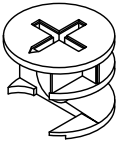


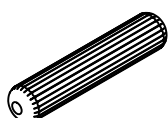
Insert the cam bolt into the hole first, then insert the cam lock and lock it.

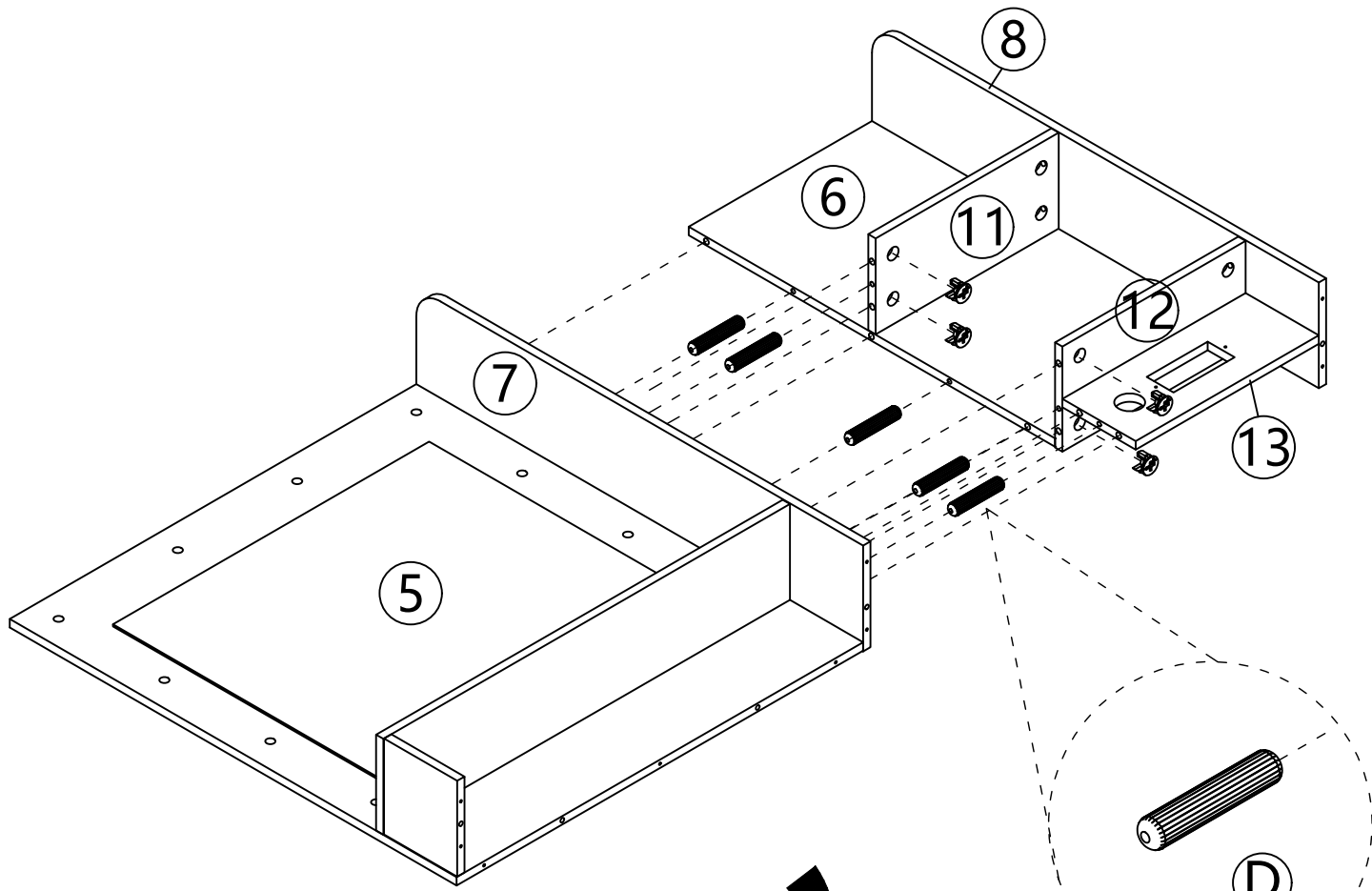


STEP 10

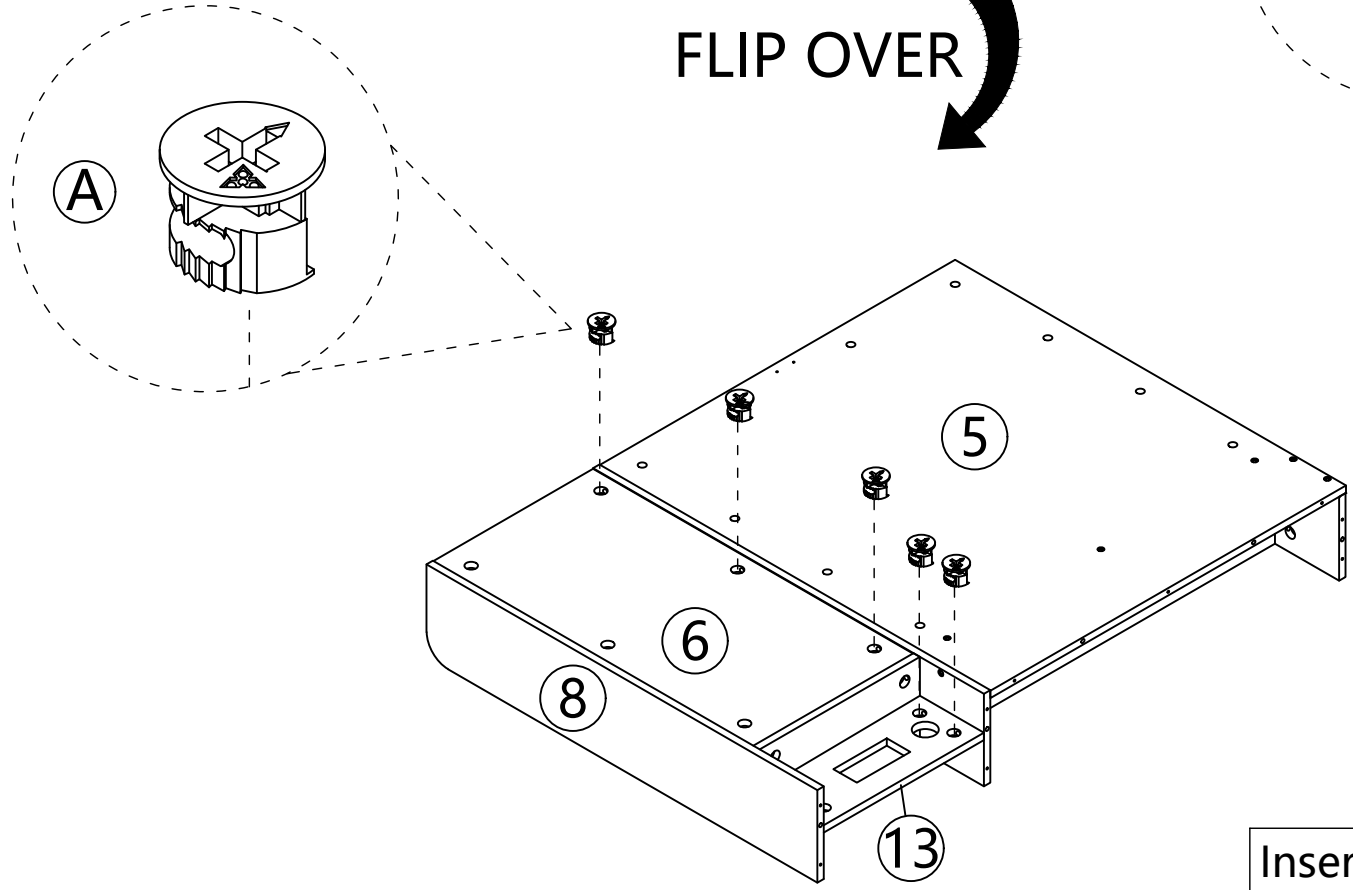


(A)	X9
	
$\phi 15 \times 9.5$	

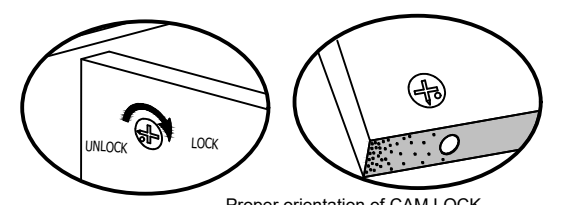
(D)	X5
	
$\phi 6 \times 30$	



FLIP OVER

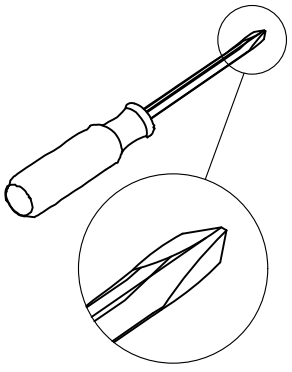


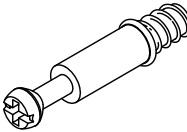
Insert the cam bolt into the hole first, then insert the cam lock and lock it.

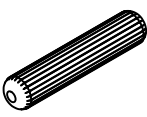


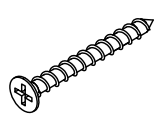
Proper orientation of CAM LOCK

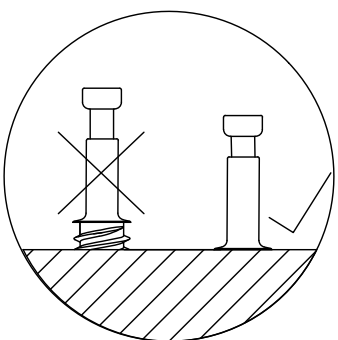
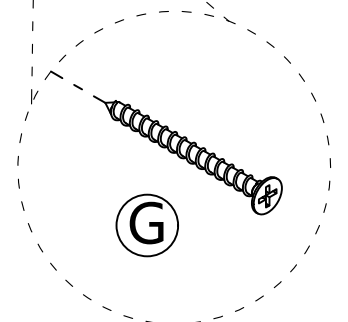
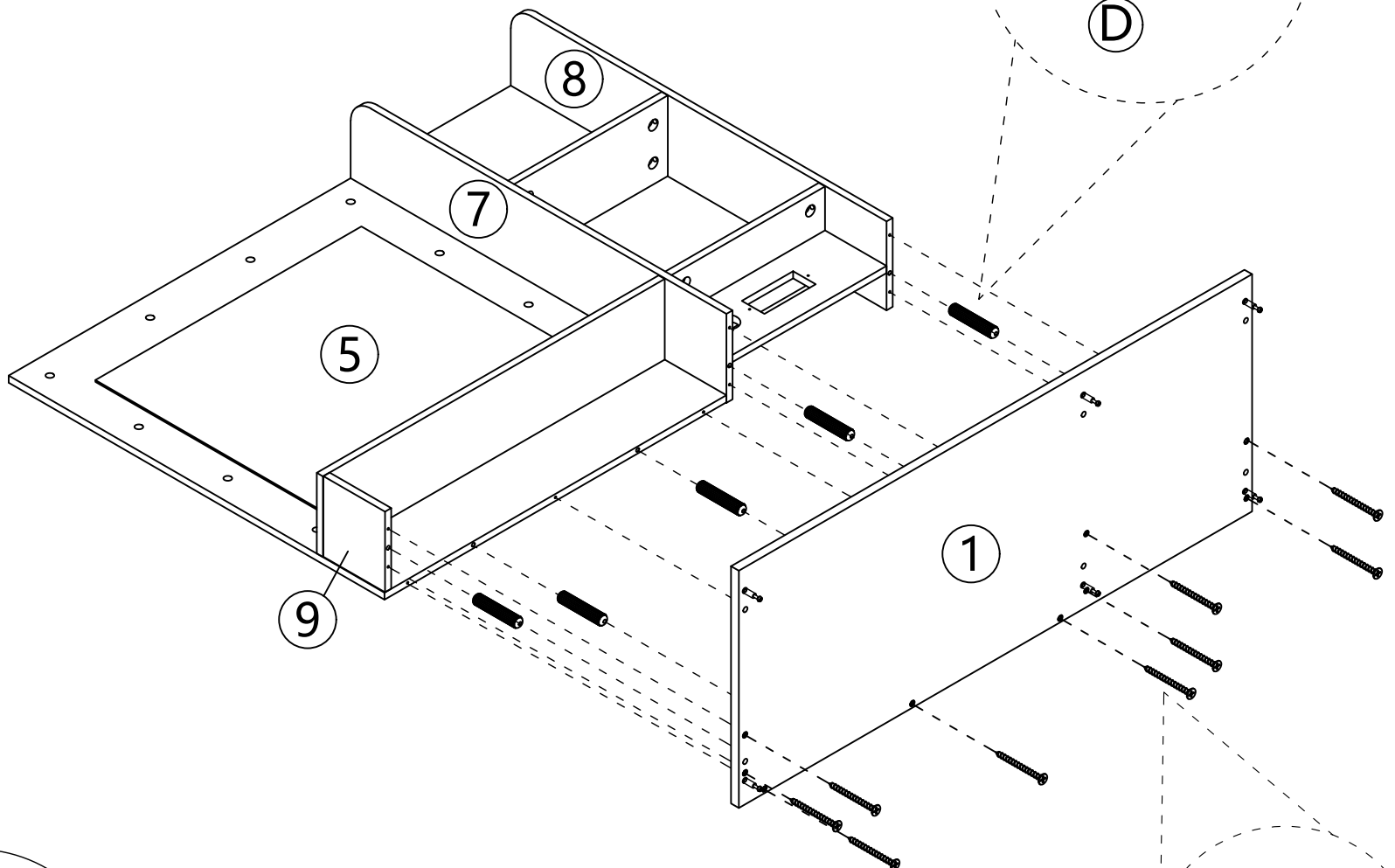
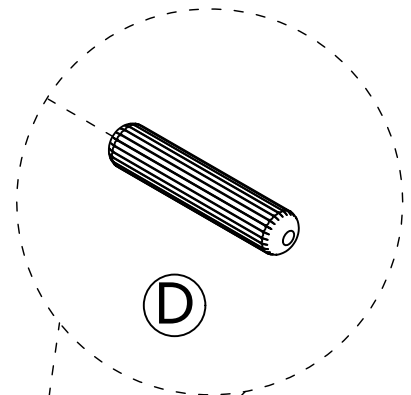
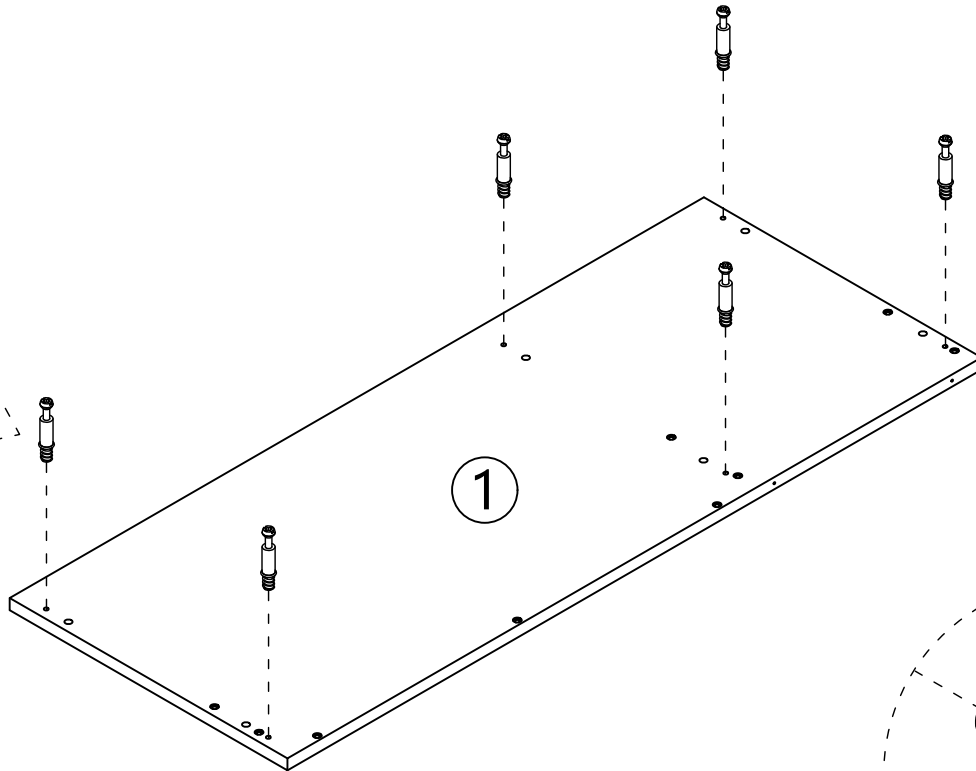
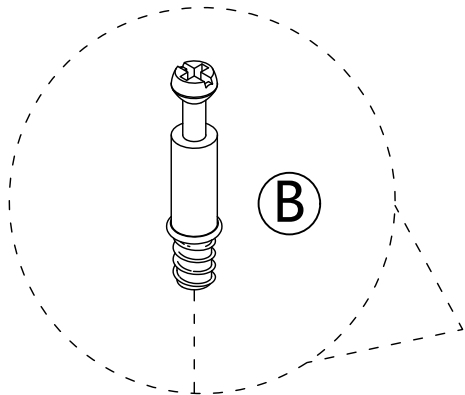
STEP 11



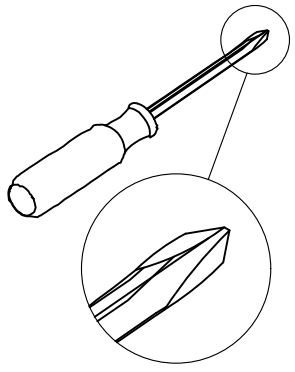
(B)	X6
	
$\phi 6.5 \times 35$	

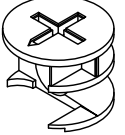
(D)	X5
	
$\phi 6 \times 30$	

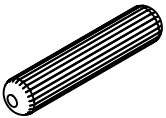
(G)	X9
	
$\phi 4 \times 35$	



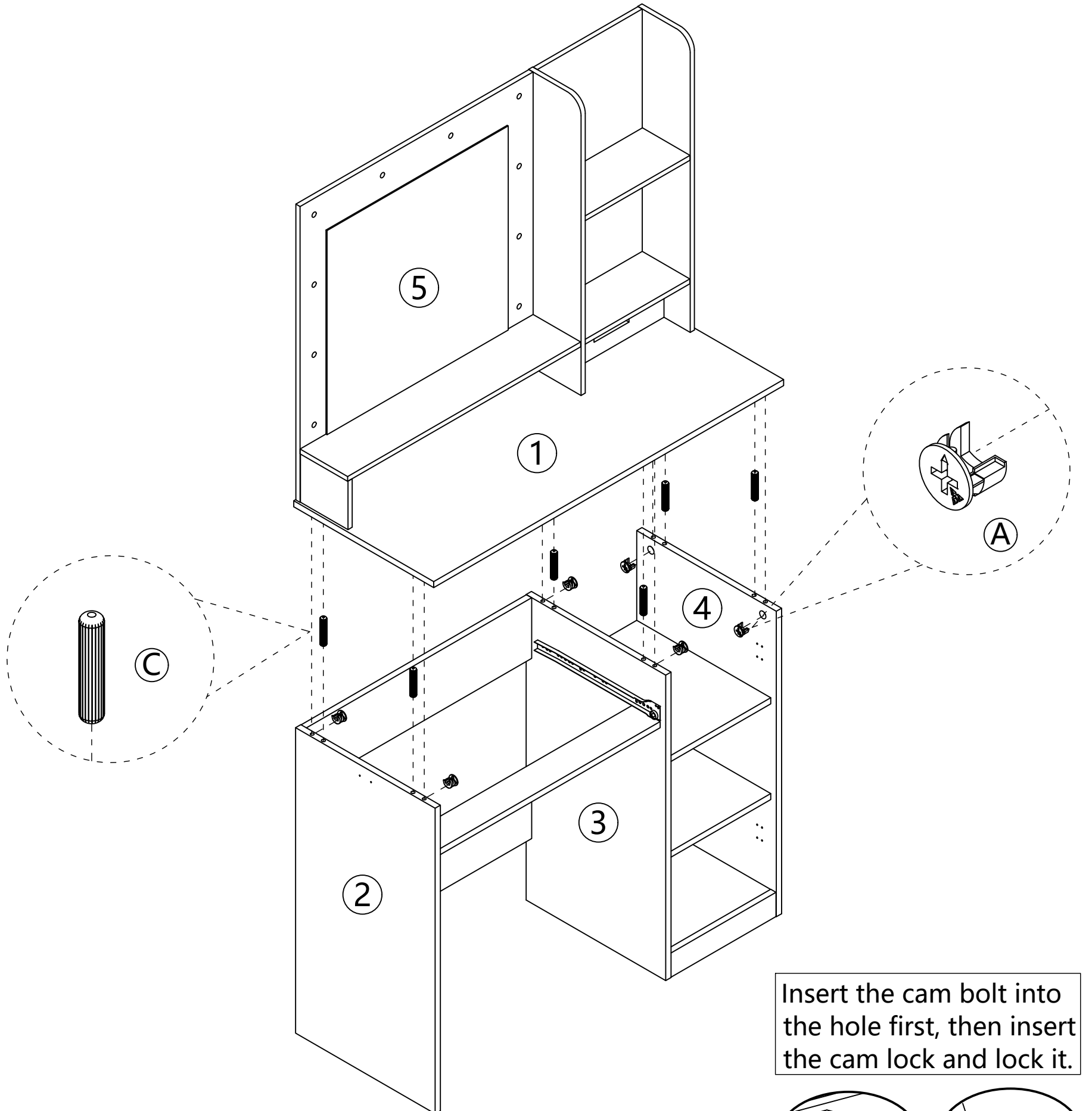
STEP 12



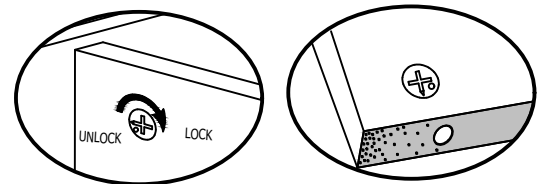
(A)	X6
	
Ø15*9.5	

(C)	X6
	
Ø8*30	

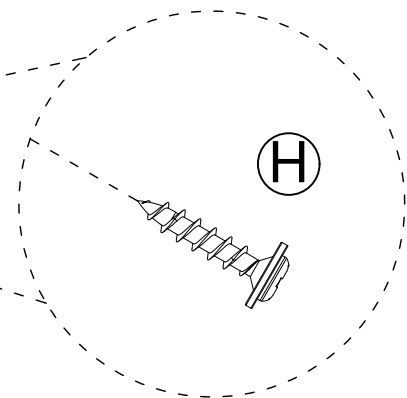
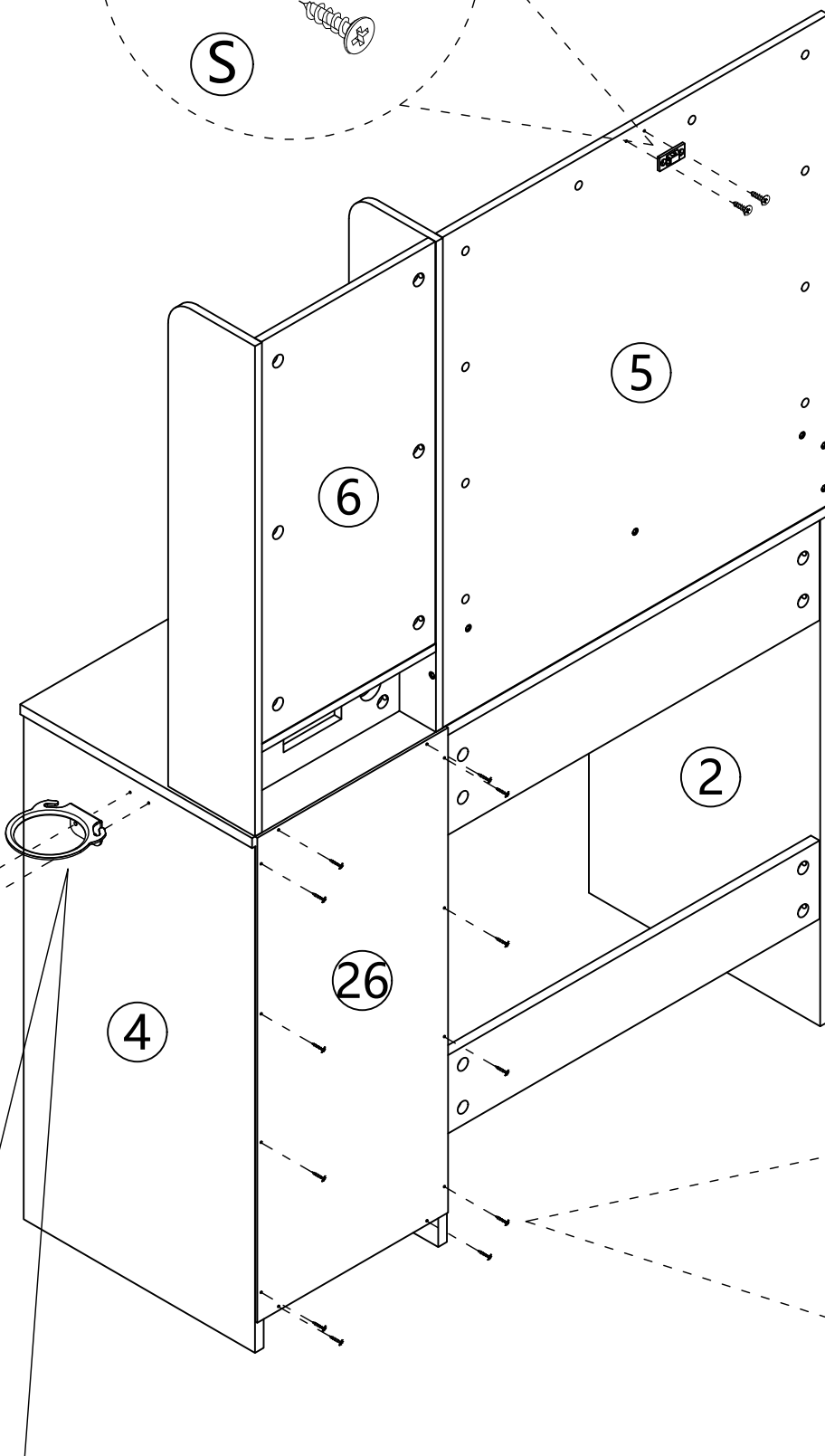
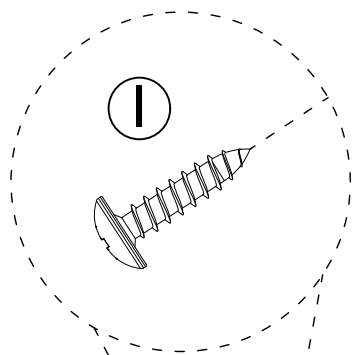
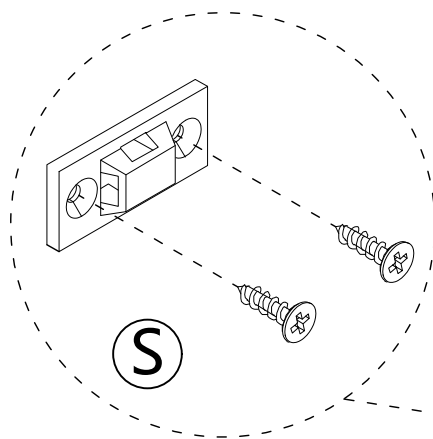
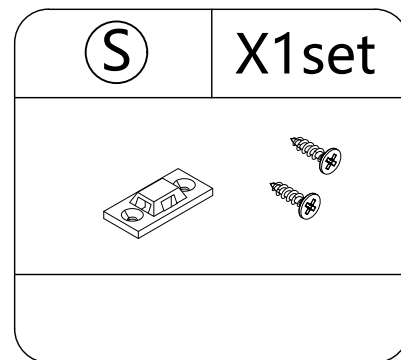
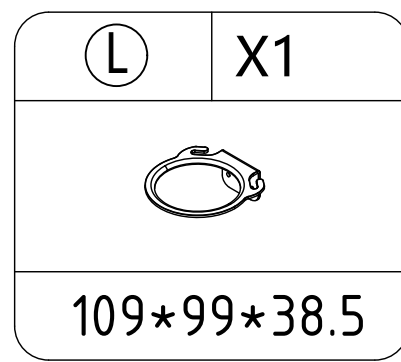
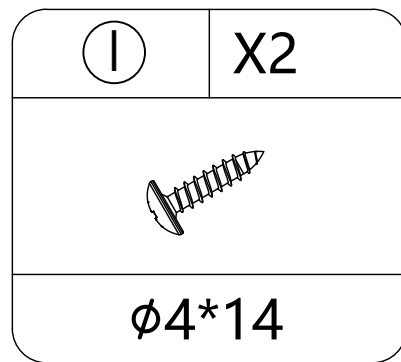
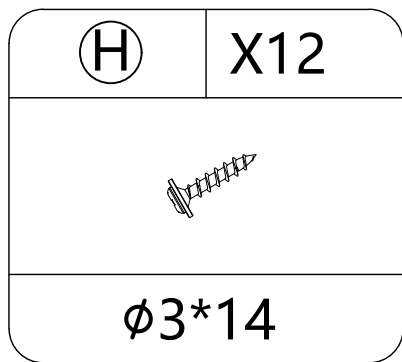
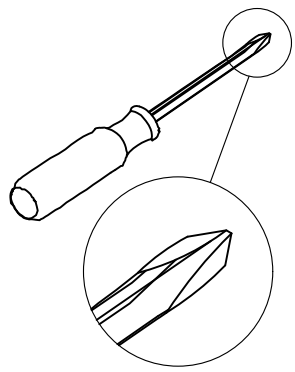
THIS STEP REQUIRES 2 PEOPLE



Insert the cam bolt into the hole first, then insert the cam lock and lock it.

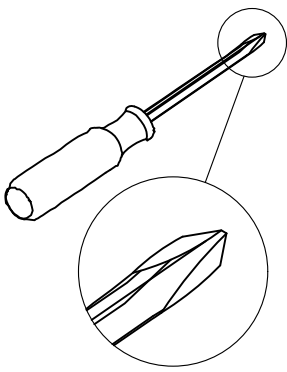


STEP 13



You can install the hair dryer rack(L) on the left or right according to your needs

STEP 14



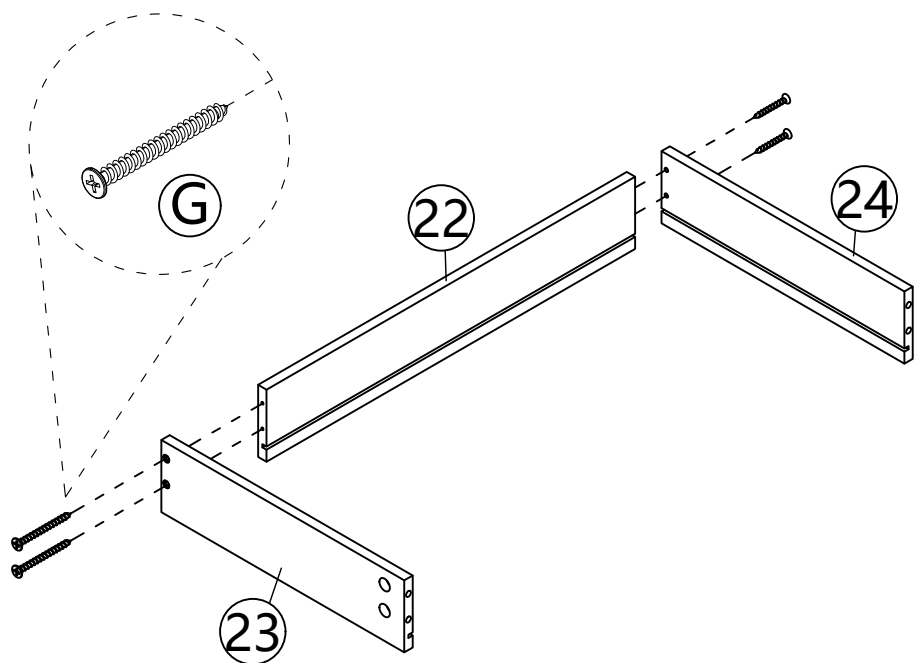
(A)	X4
$\phi 15 * 9.5$	

(B)	X4
$\phi 6.5 * 35$	

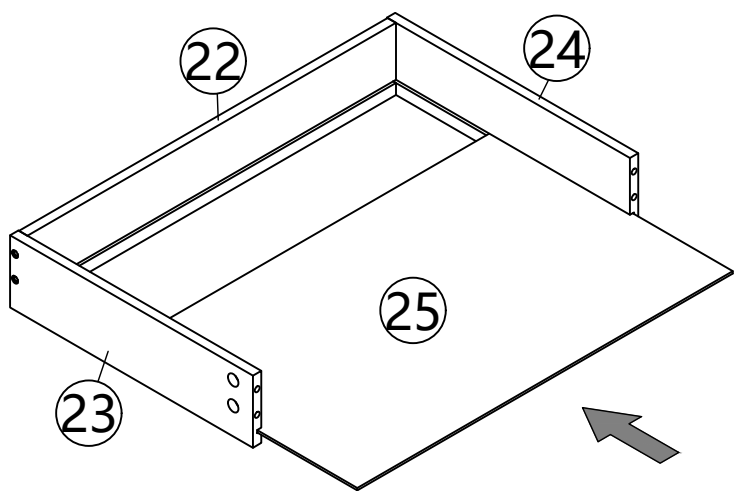
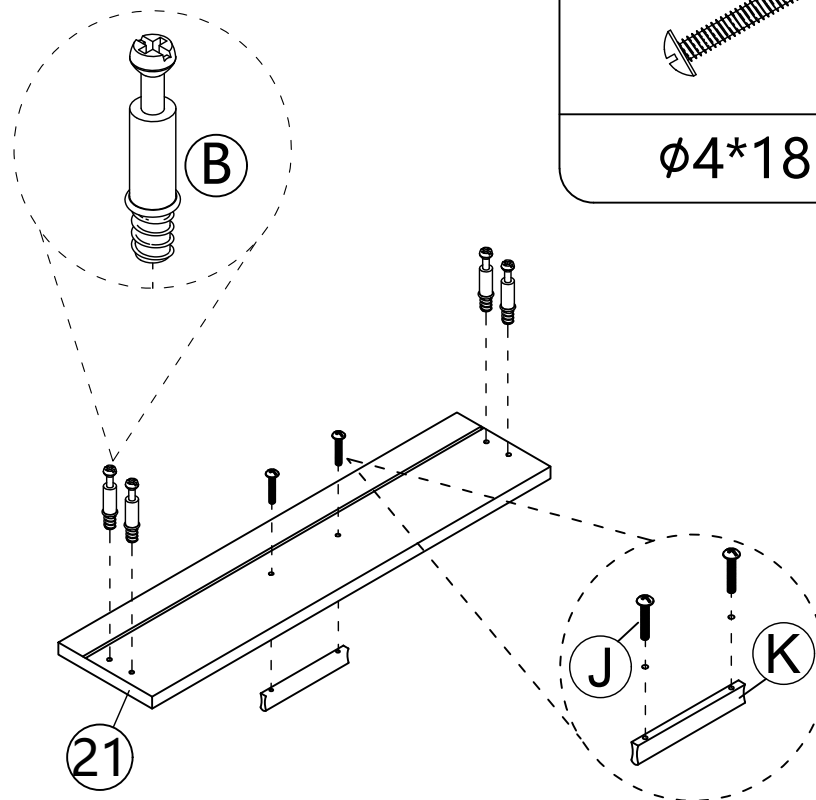
(G)	X4
$\phi 4 * 35$	

(K)	X1
$106 * 16 * 8$	

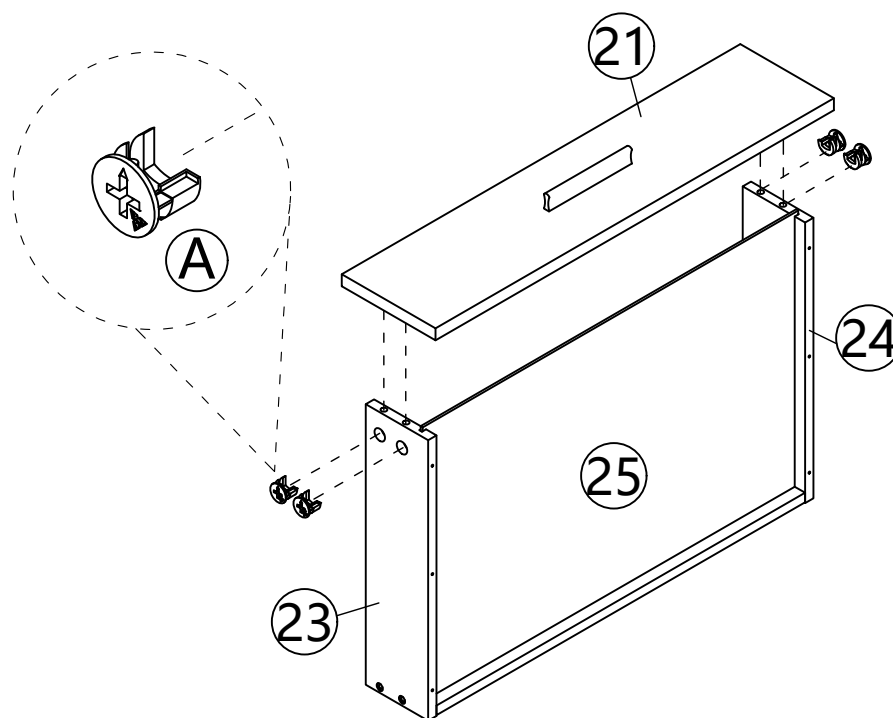
(J)	X2
$\phi 4 * 18$	



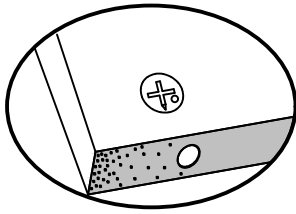
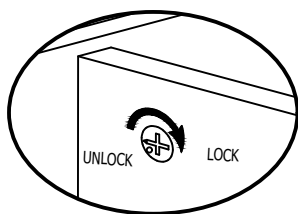
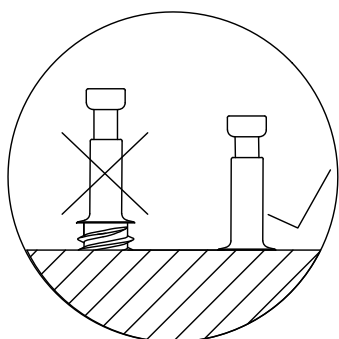
Step 1



Step 2



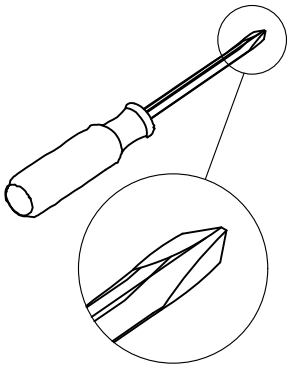
Step 3

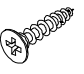


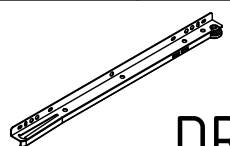
Proper orientation of CAM LOCK

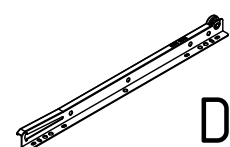
Insert the cam bolt into the hole first, then insert the cam lock and lock it.

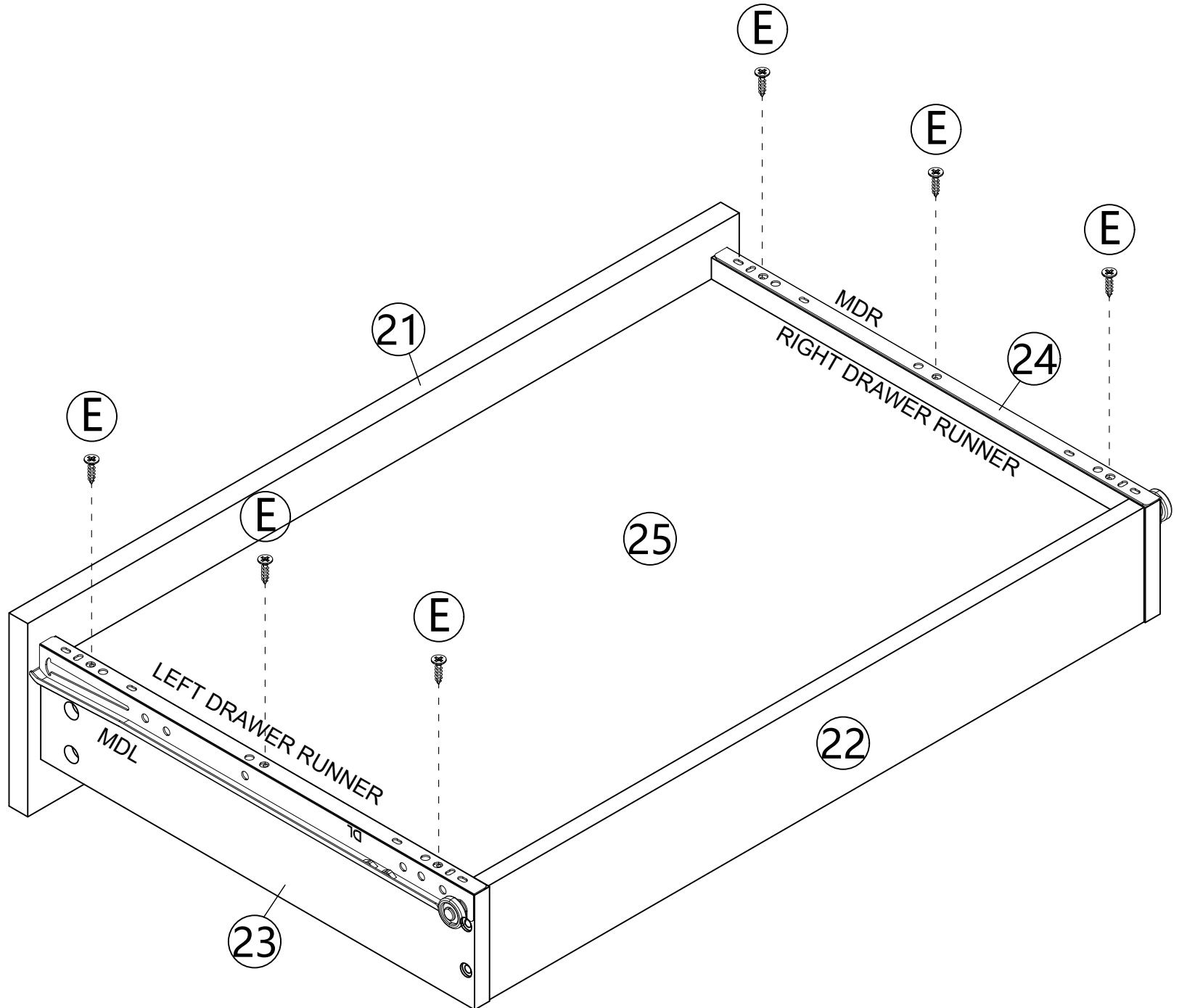
STEP 15



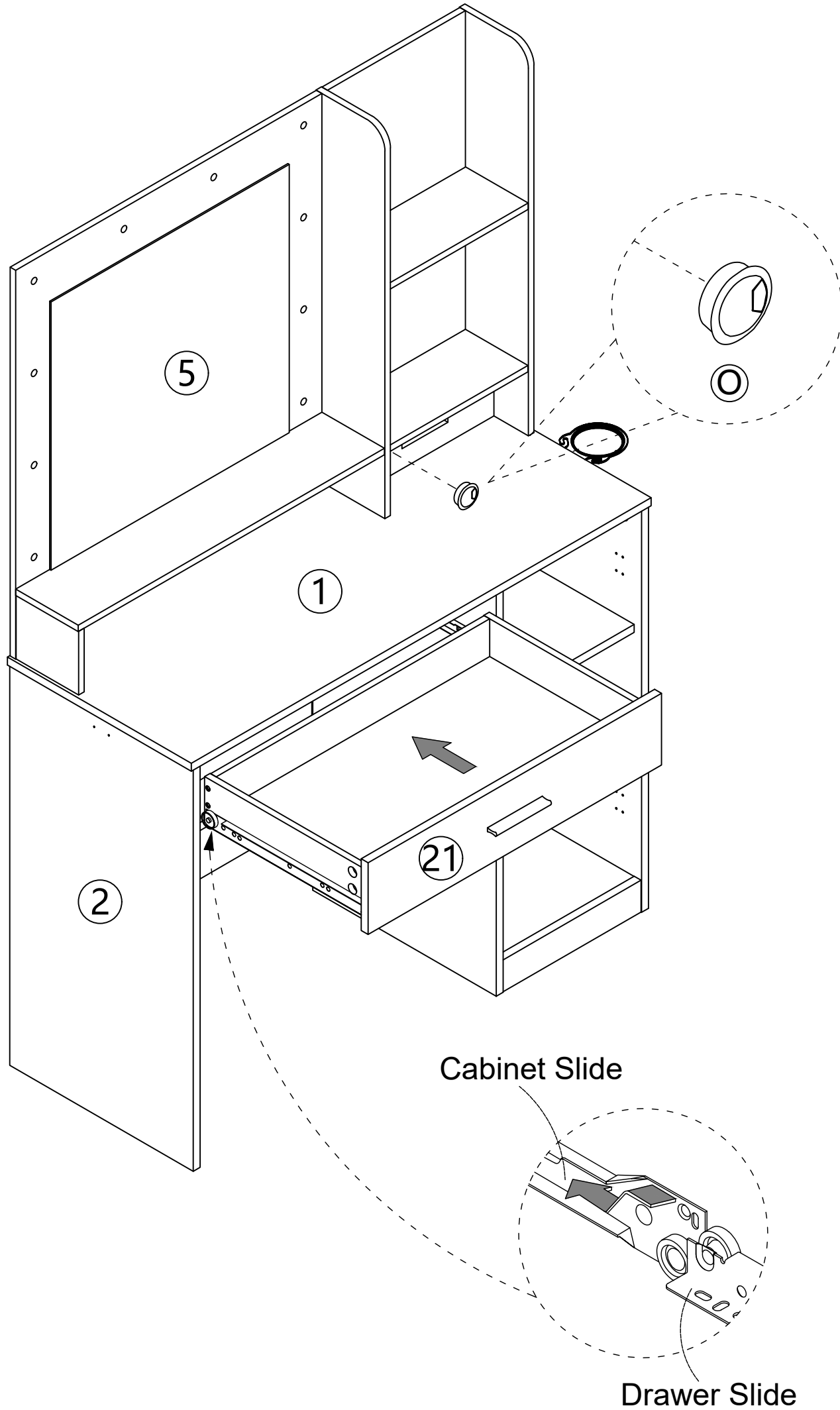
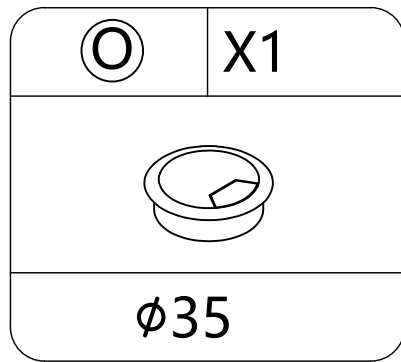
(E)	X6
	
Ø3.5*14	

(M)	X1
	
DR L=350	

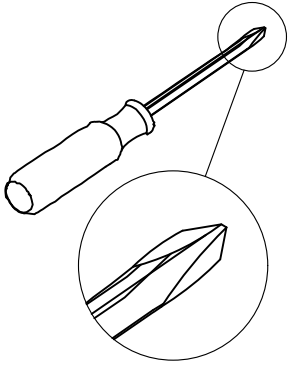
(M)	X1
	
DL L=350	

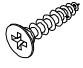


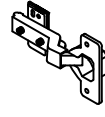
STEP 16

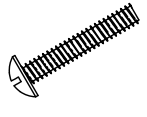


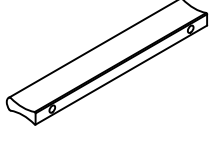
STEP 17

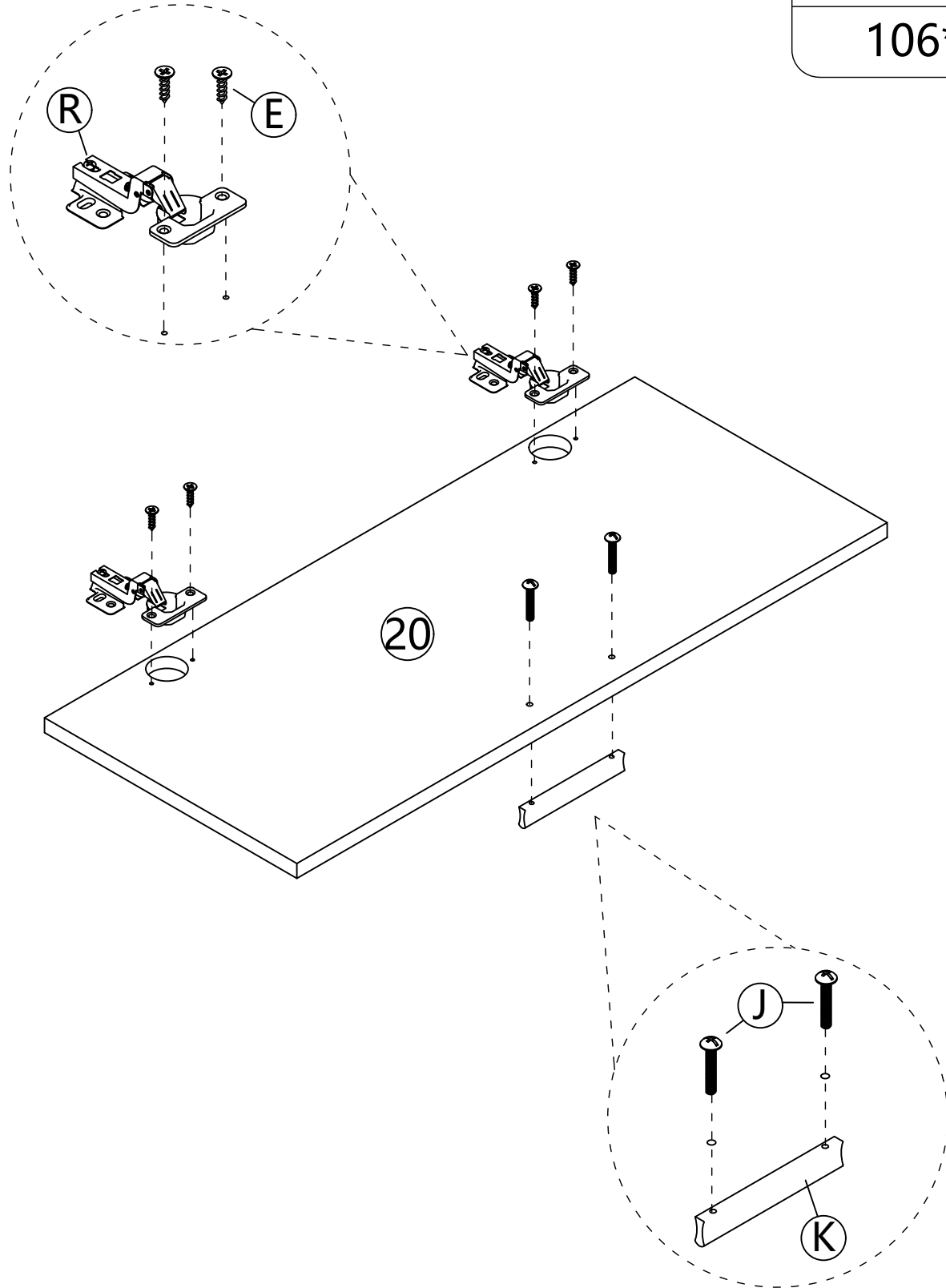


(E)	X4
	
Ø3.5*14	

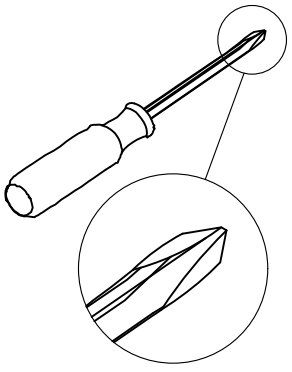
(R)	X2
	
Ø35	

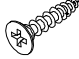
(J)	X2
	
Ø4*18	


(K)	X1
	
106*16*8	

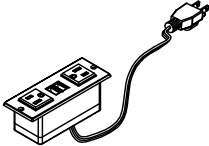


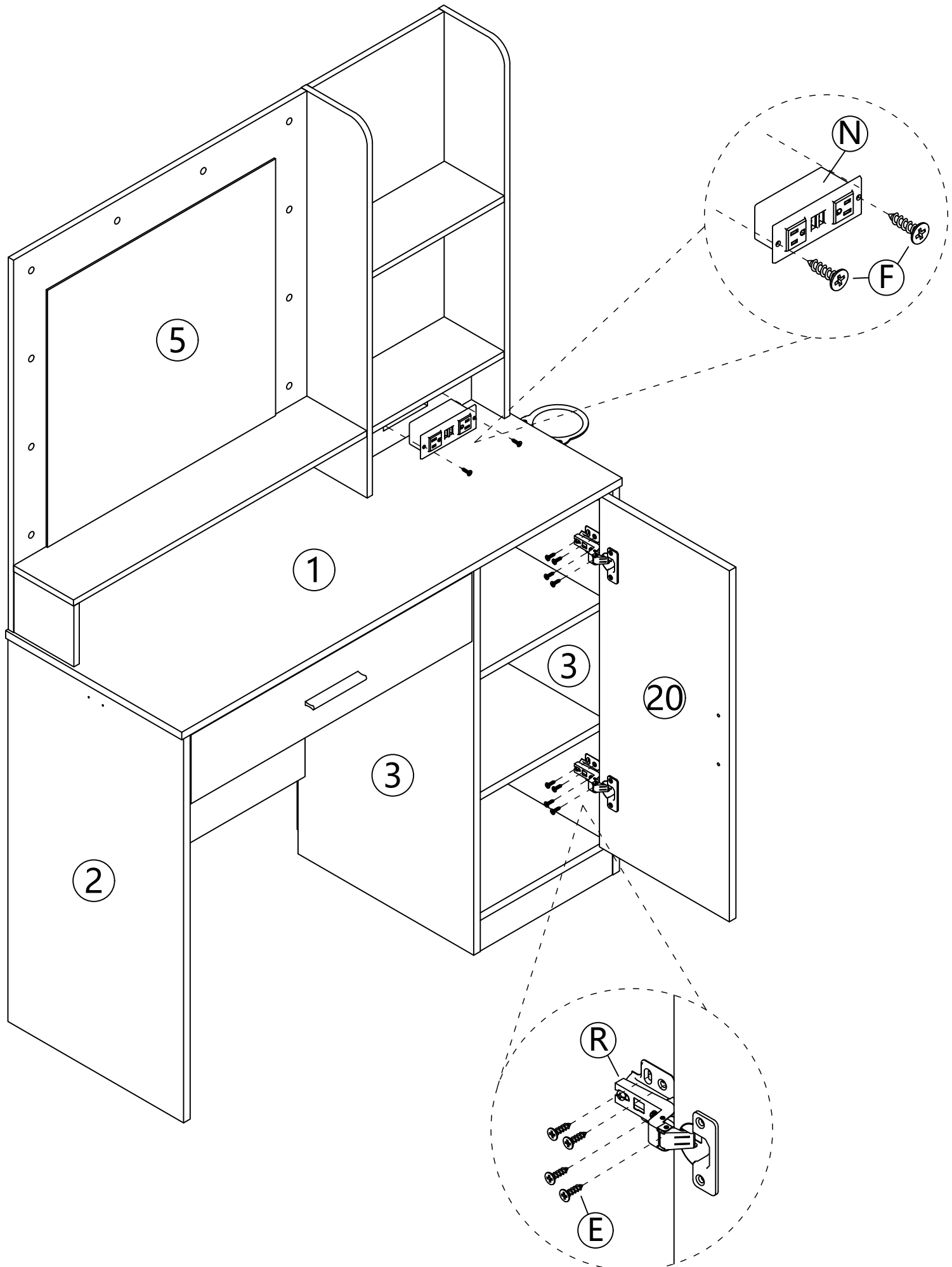
STEP 18



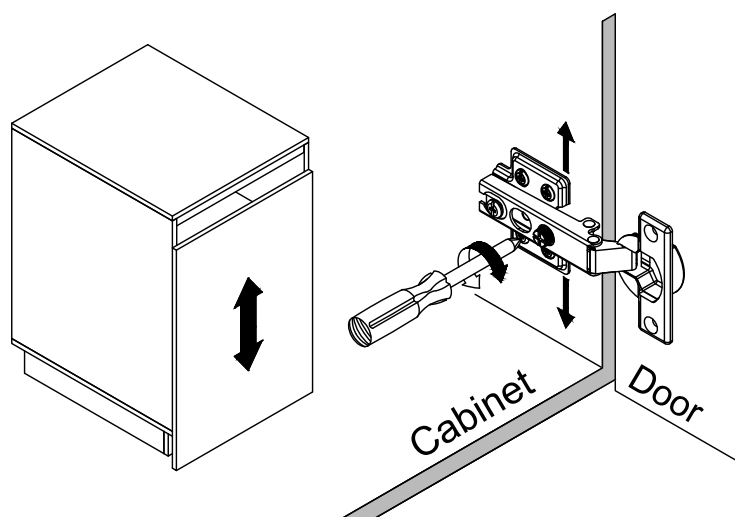
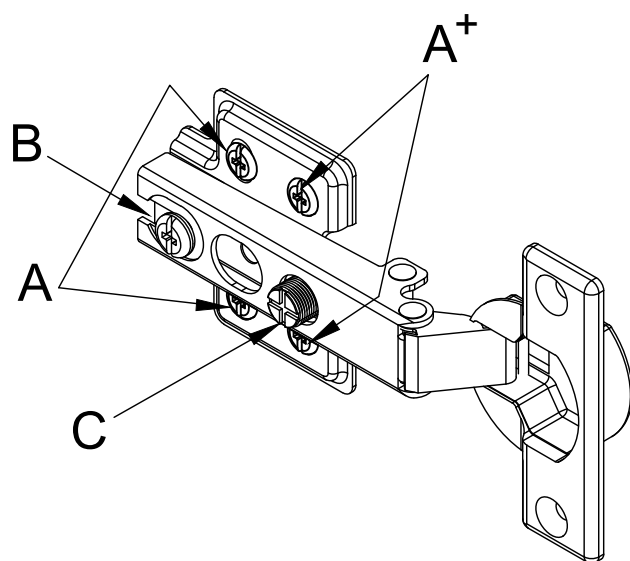
(E)	X8
	
$\phi 3.5 * 14$	

(F)	X2
	
$\phi 3 * 12$	

(N)	X1
	

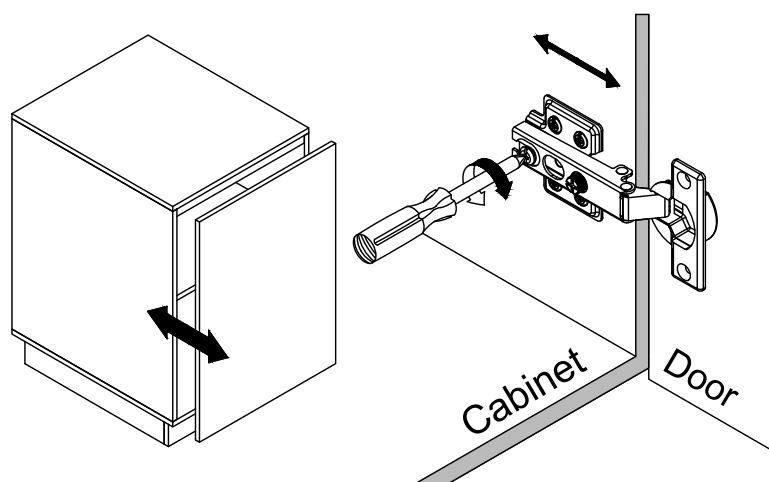


STEP 19



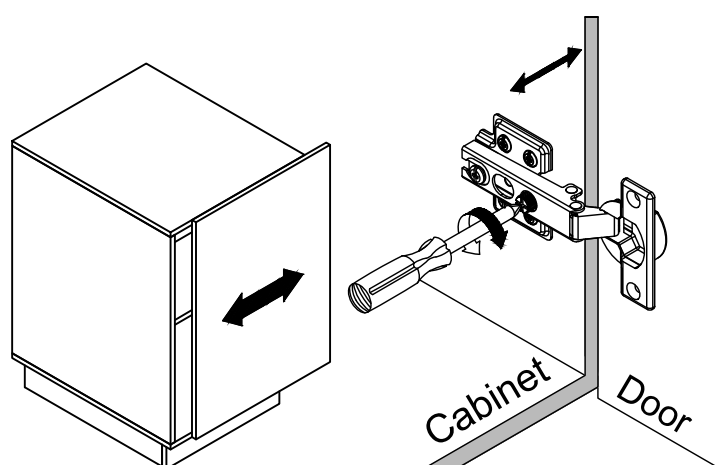
[How to adjust vertical height of the door]

- First remove the 2 screws "A+" on the hing .
- Then loosen the 2 screws "A" on the hinge so that it can be adjusted up or down a few millimeters.
- Then tighten "A" and reinstall "A+".



[How to adjust depth of the door]

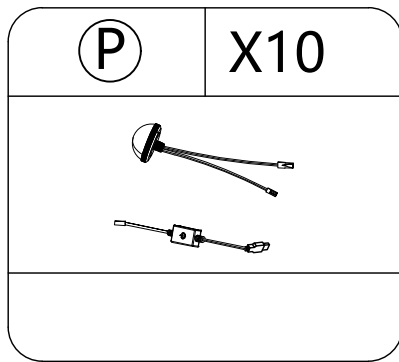
- Loosen screw "B" and adjust the depth of th door.
- If screw "B" is loose, the depth of the door stil cannot be adjusted. Simply loosen the screw "C" slightly to adjust the position of the door forward and backward.
- After adjusting the position, tighten screw "B" last.

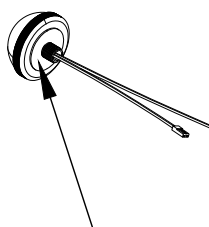


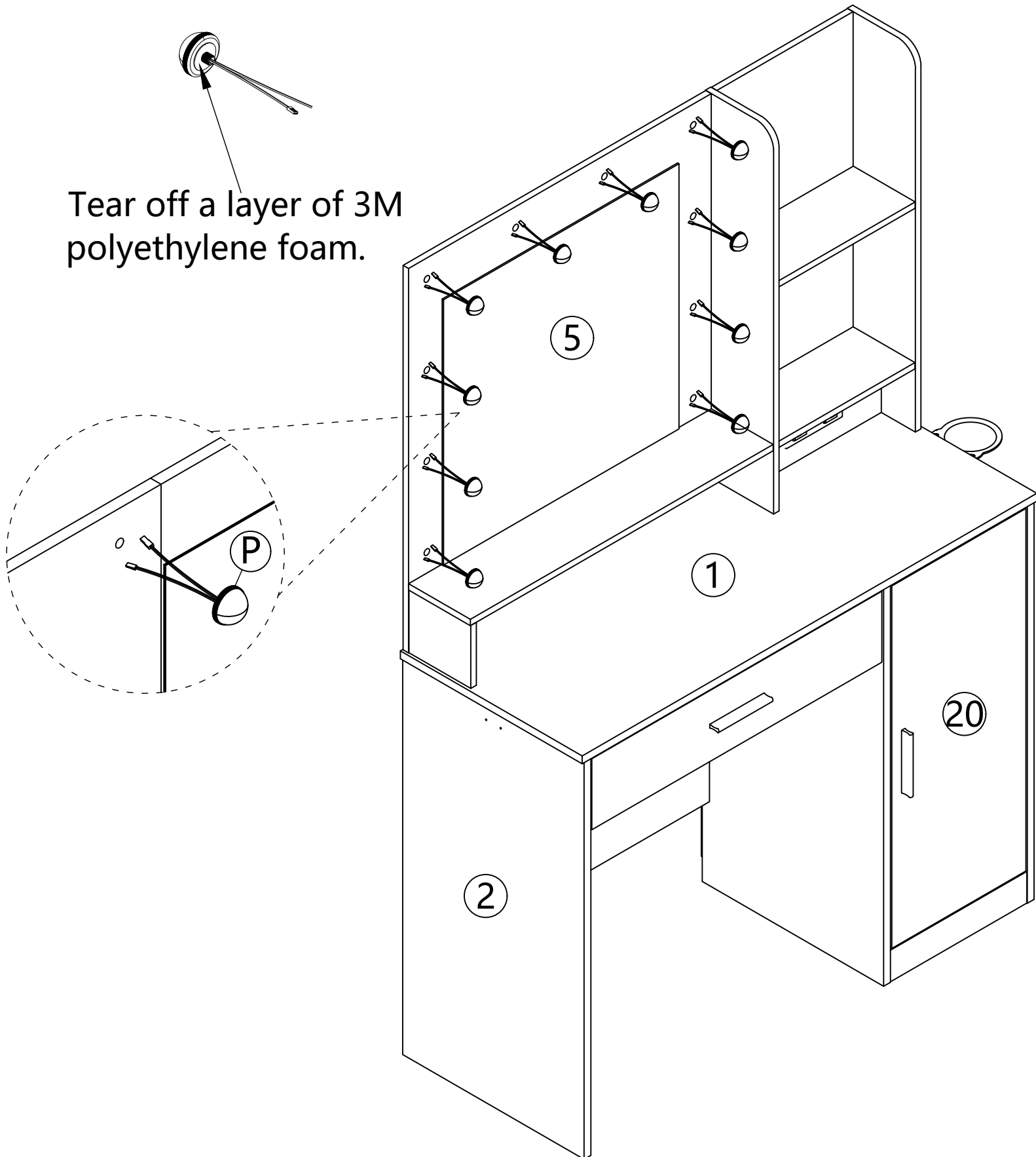
[How to adjust the level of the door]

- Turn screw "C" on hinge to adjust the level of the door.

STEP 20

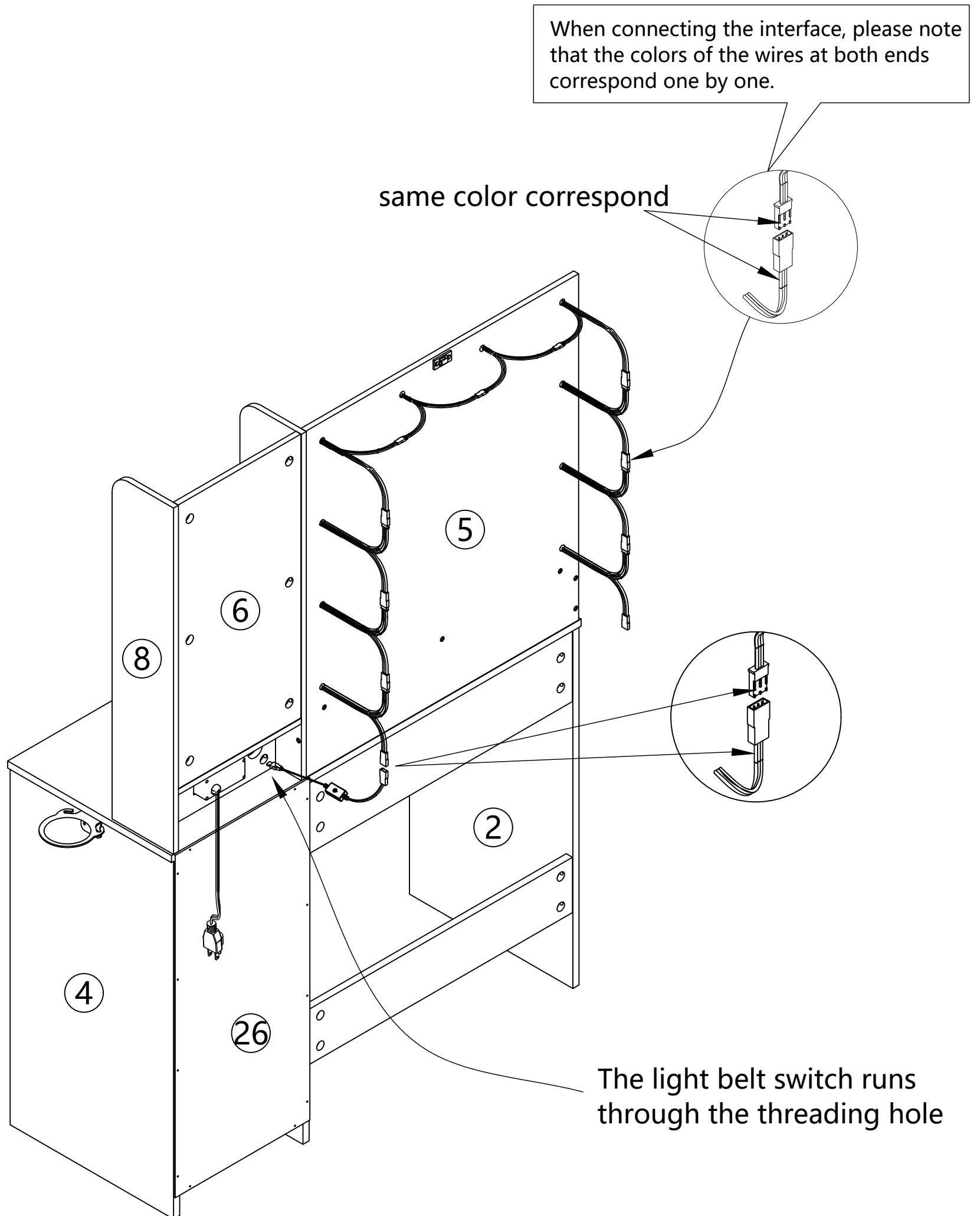



Tear off a layer of 3M polyethylene foam.



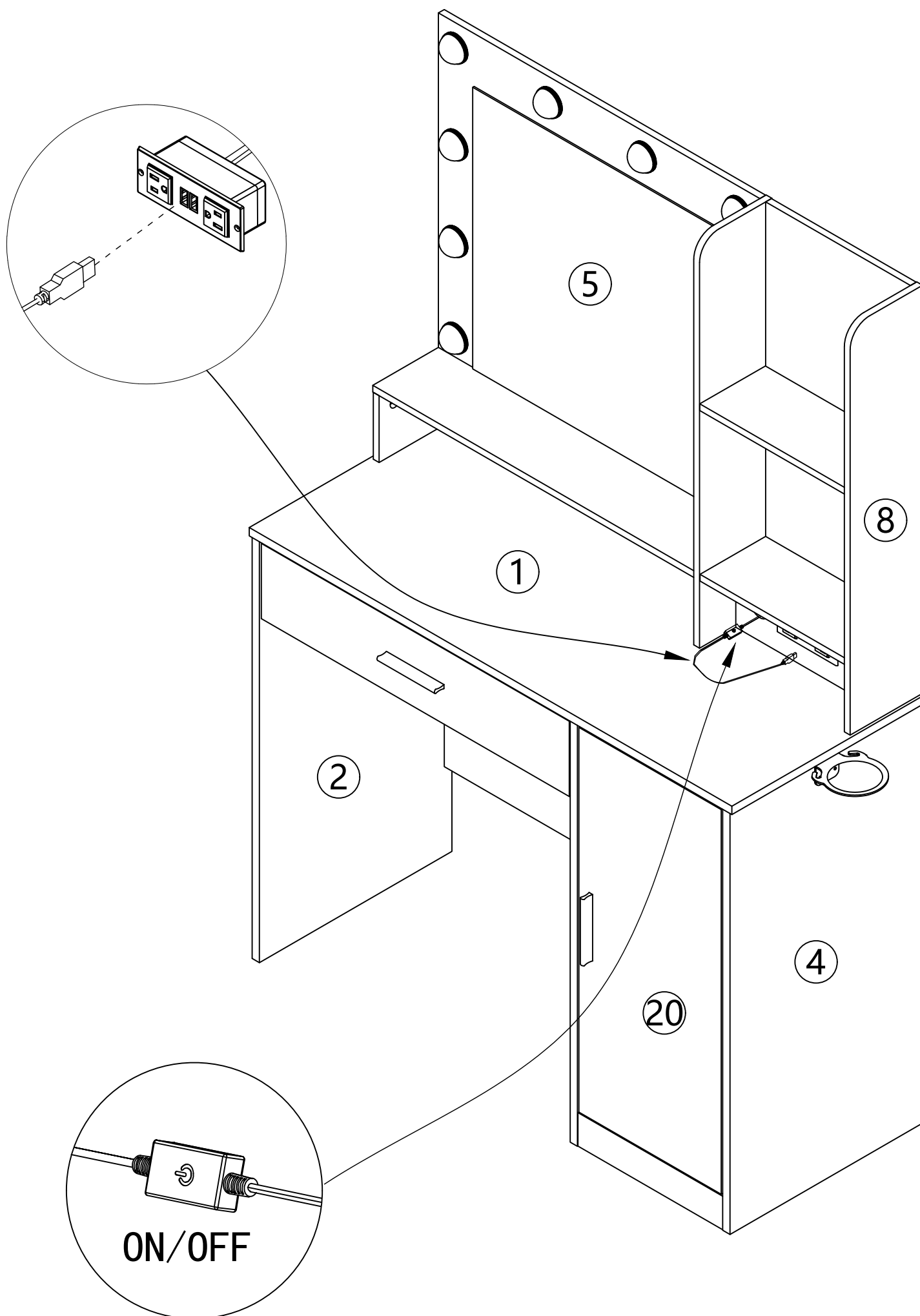
STEP 21

Pass the bulb wire through the pre punched plate, then gently press the bulb and make it adhere to the plate, and then connect the adjacent bulbs successively through the wire head slot on the opposite side (corresponding to the line of the same color).

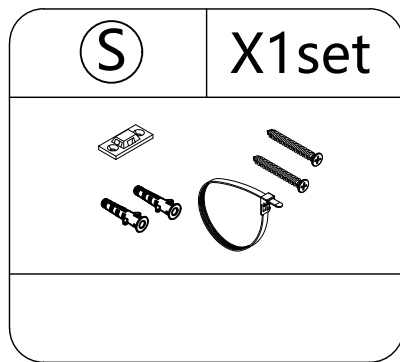
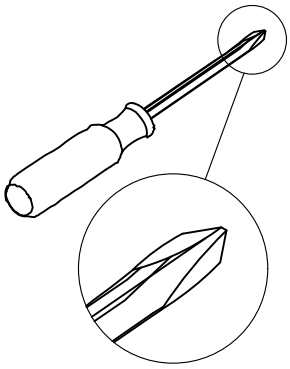


STEP 22

When making up, you can use the switch to turn on or off the light. The dressing table brings you 3 color temperature light modes, touch the button you can easily light up the mirror and change colors to meet your different needs, long press to adjust the brightness.

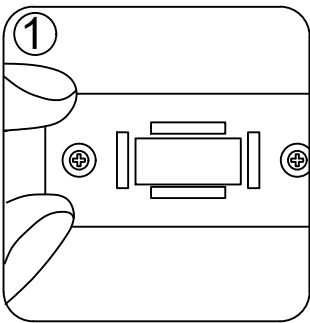


STEP 23

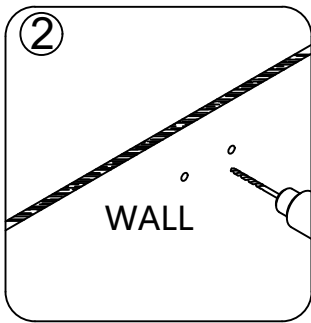


⚠ WARNING	
	<p>Children have died from furniture tipover. To reduce the risk of furniture tipover:</p> <ul style="list-style-type: none"> • ALWAYS install tipover restraint provided. • NEVER put a TV on this product. • NEVER allow children to stand, climb or hang on drawers, doors, or shelves. • NEVER open more than one drawer at a time. • Place heaviest items in the lowest drawers. <p style="text-align: center;"><i>This is a permanent label. Do not remove!</i></p>

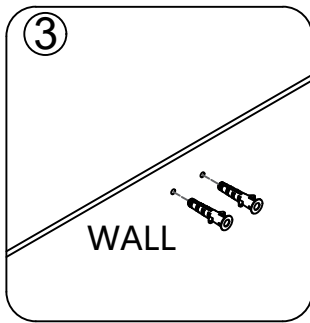
Install the tipping restraint hardware



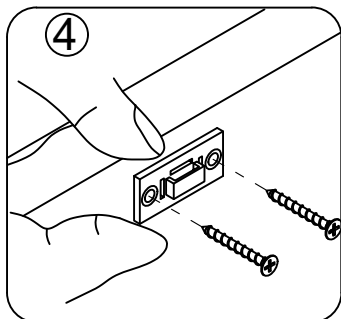
1. make mark on the wall



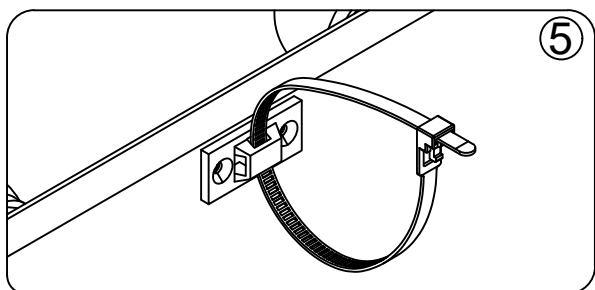
2. drill two $\phi 6$ holes on the wall



3. put two anchors in the holes



4. fix the device on the wall by the long screws



5. Push the cabinet close to the wall so that the two bases are close to each other, and then put on nylon tie to tighten it.

