



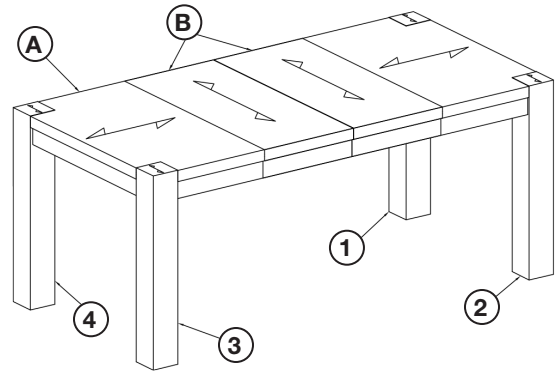


# ASSEMBLY INSTRUCTIONS | EXTENSION DINING TABLE

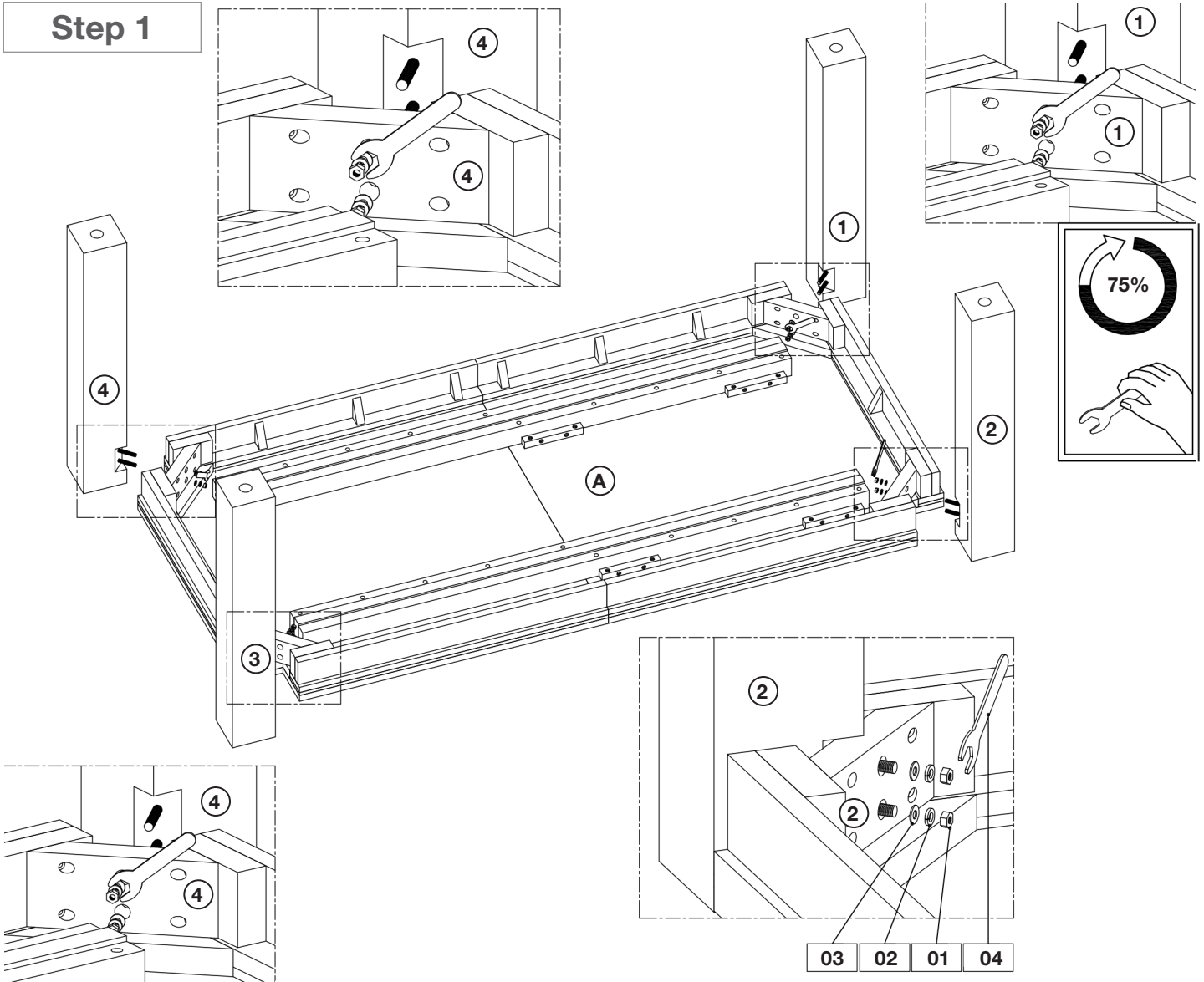
PARTS	
A	Table Top (1pc)
B	Leaf Top (2pcs)
1	Right Leg (1pc)
2	Left Leg (1pc)
3	Right Leg (1pc)
4	Left Leg (1pc)

HARDWARE CHECKLIST			
01		Nut (8pcs)	
02		Spring Washer (8pcs)	
03		Flat Washer (8pcs)	
04		Spanner (1pc)	

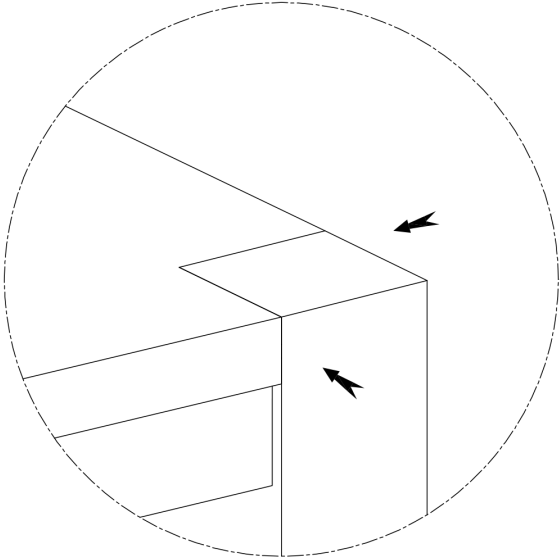
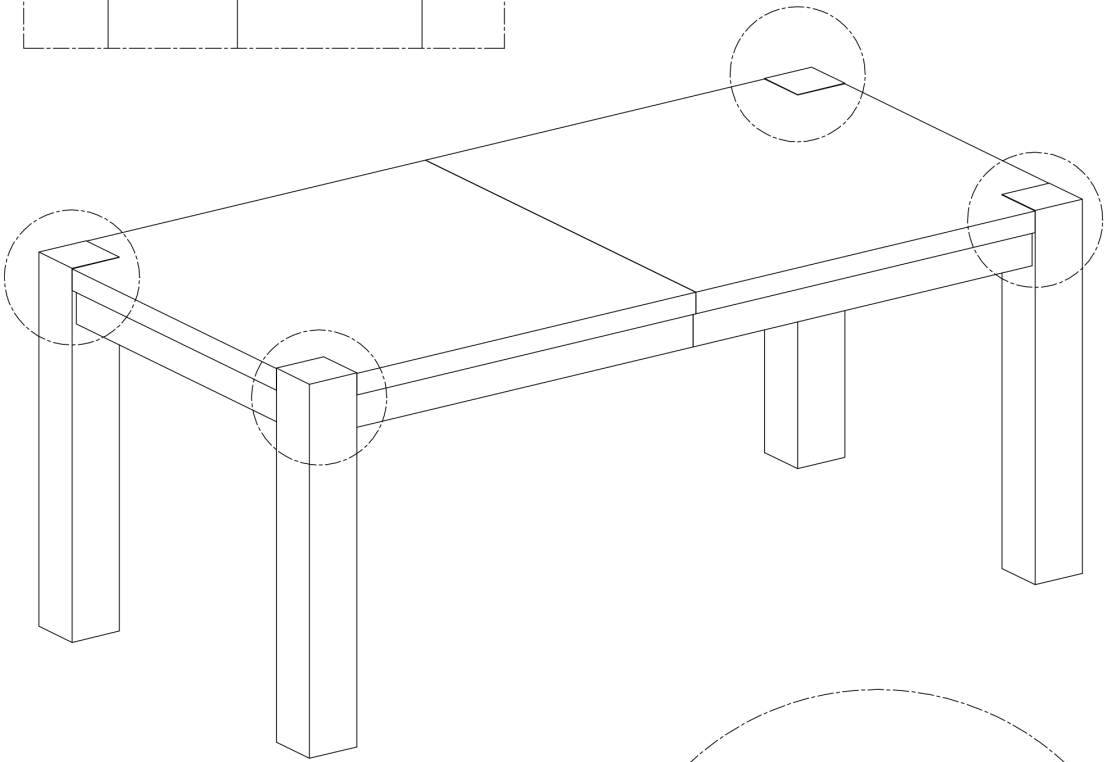
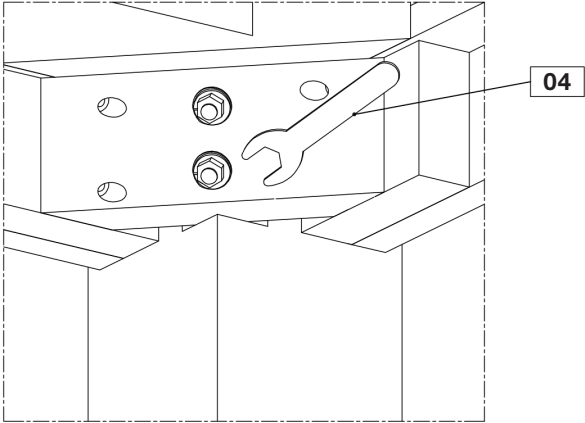
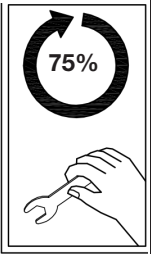


Please do not begin assembly or discard any packaging until you have checked that all the parts and hardware are present. Follow instructions closely as deviation from them may void your warranty and present a possible safety risk. It is recommended that assembly is done on a soft surface to avoid any damage. Periodically check and re-tighten any fasteners. Wipe down all surfaces weekly with a clean cloth. Do not clean any surfaces with harsh abrasives or chemicals.

## Step 1



Step 2

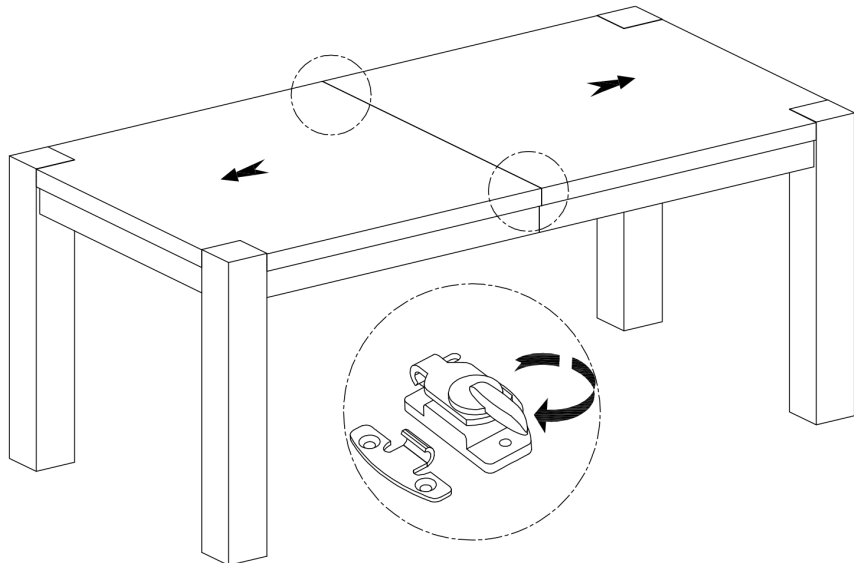


Rotate the table upright. Align each leg on both sides. Then fully tighten all nuts.

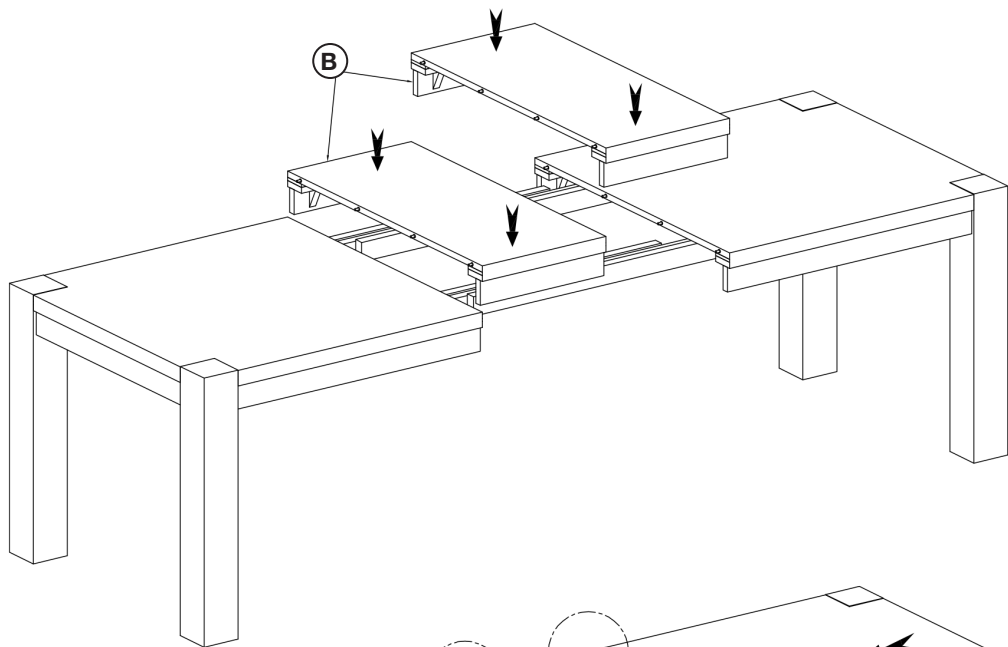
# ASSEMBLY INSTRUCTIONS | EXTENSION DINING TABLE

## Step 3

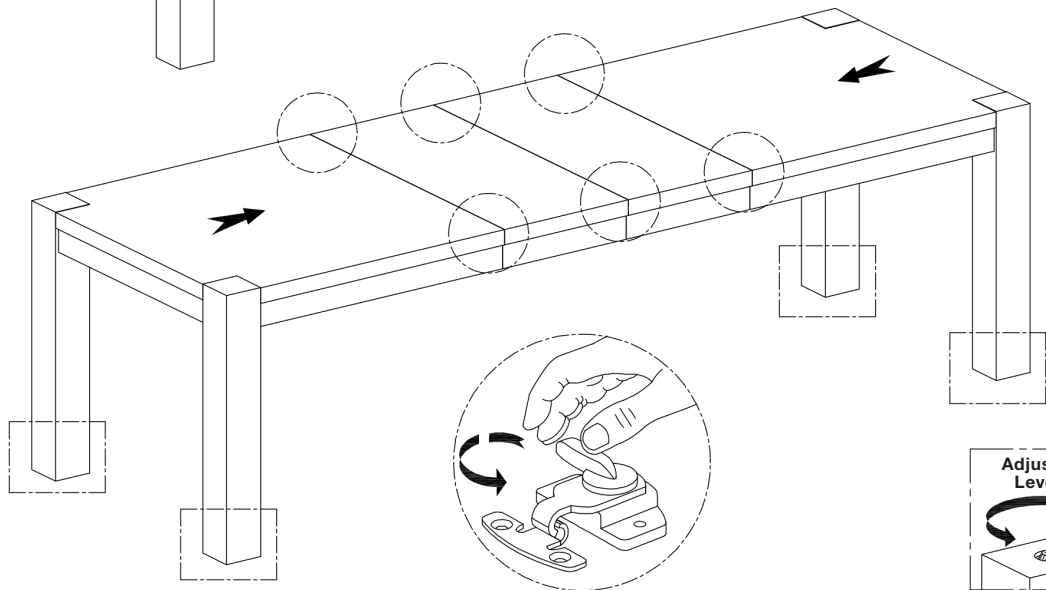
CLOSE



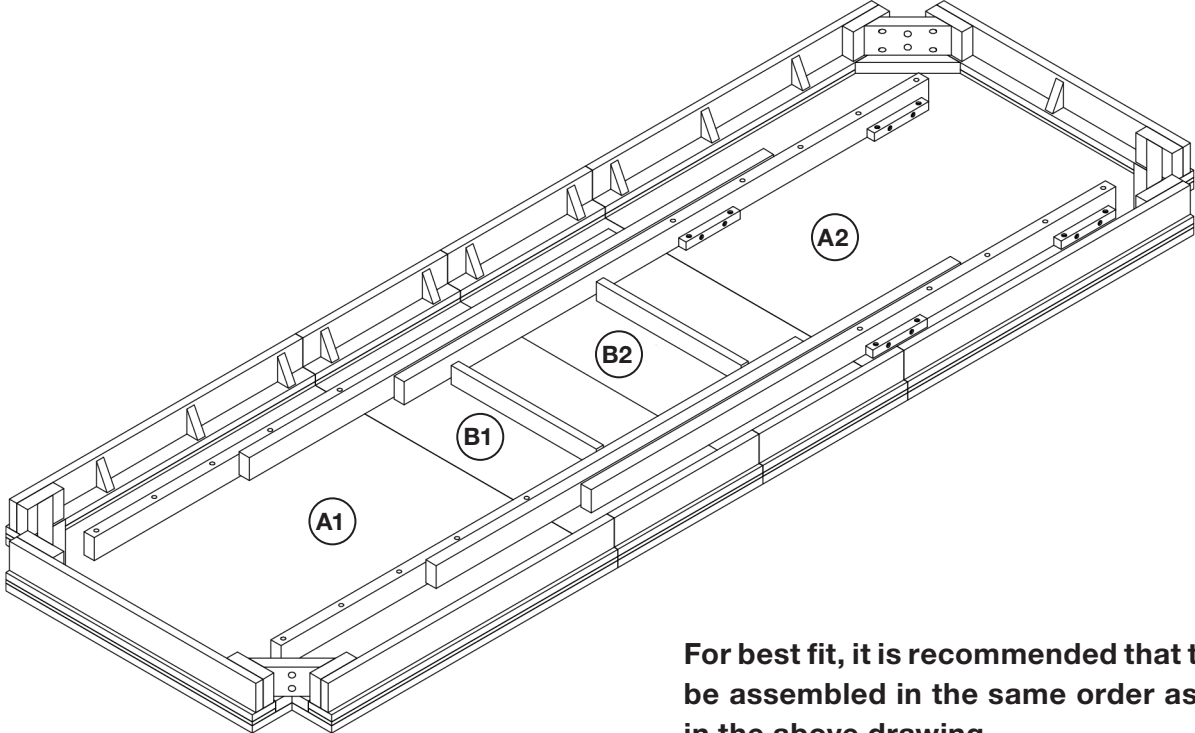
OPEN



FINISH



Step 4



For best fit, it is recommended that the table be assembled in the same order as labeled in the above drawing.