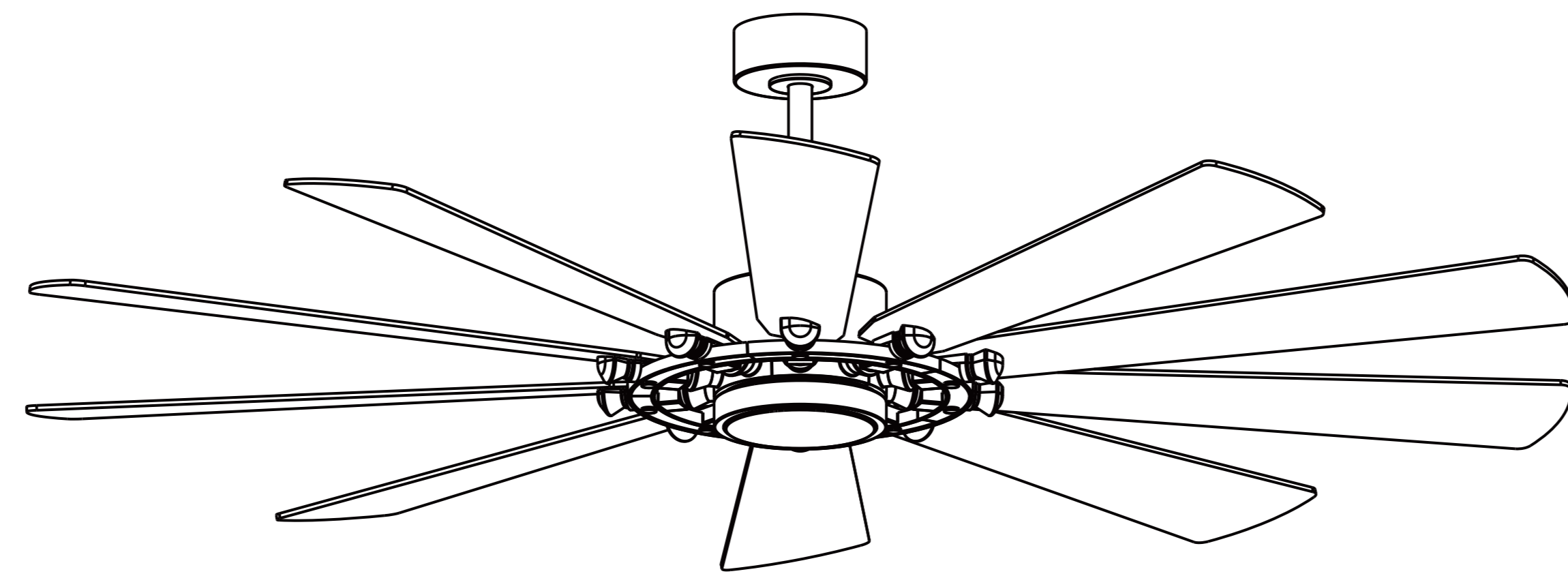




WARNING: To Reduce The Risk Of Fire, Electric Shock, Or Personal Injury, Mount To Outlet Box Marked "Acceptable For Fan Support of 15.9 kg (35 lbs) or less" And Use Mounting Screws Provided With The Outlet Box. Most Outlet Boxes Commonly Used For The Support of Luminaires Are Not Acceptable For Fan Support And May Need To Be Replaced. Consult A Qualified Electrician If In Doubt.

ITEM# 40028-BK



Ceiling Fan With Light

ITEM# 40028-BK

PO#202512164001

DESCRIPTION: 62 Inches 10 Blades

QTY: 1 PC/CTN

CARTON SIZE (in.): 27.16 x 14.17 x 8.07

NET WEIGHT (lbs.):19.86

GROSS WEIGHT (lbs.):22.17

MADE IN CHINA

