

Farmhous Oversized Dome Pendant Light

Caution: Please turn off power before installation and read the manual carefully, we advise you contact professional electricians to install for safety purpose.

Product Features

Style: Farmhouse/Industrial

Material: Metal

Color: Black

Base Type: E27

Light Source Included: No

Voltage: 220VAC

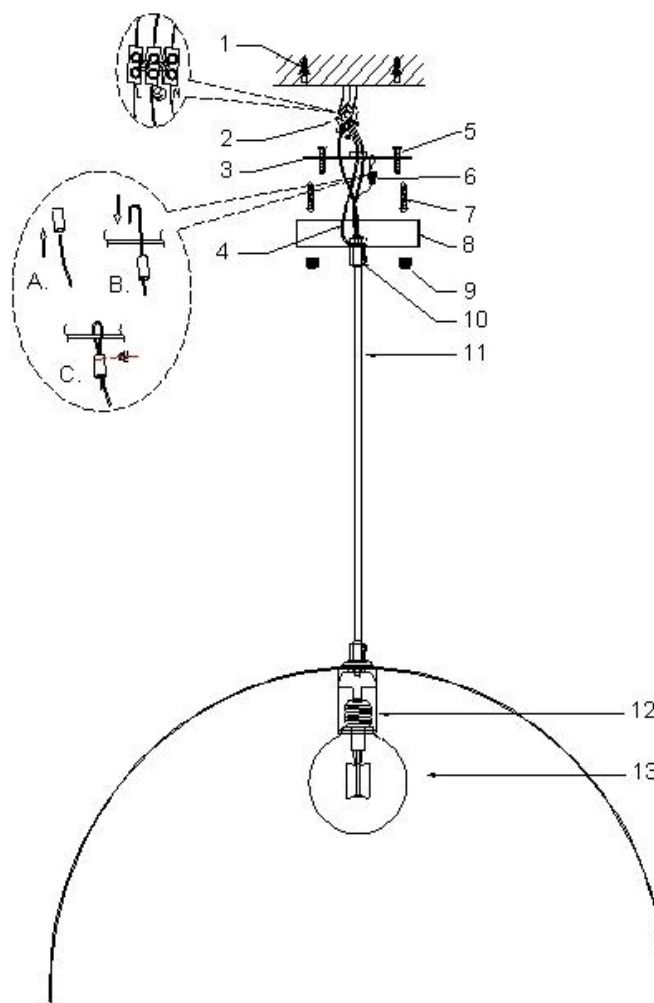
Wattage: 60W Max

Package includes

1 x Pendant Light

1 x Accessories Kit

1 x User's Manual



Installation Instructions

- Lock the steel wire (6) to the mounting backplate (3) first, then Insert the plastic expansion tube (1) into the wall . Fasten the mounting backplate (3) to the ceiling with the wood screws (7) .
- Loosen the plastic screw (10),after adjusting the wire (11) to the ideal height, tighten the plastic screw (10).
- Connect the wires from the fixture with the wires reserved on the junctionbox. Fix the ground wires both from the fixture and junction box. Be careful not to expose the bare wire to prevent leakage.
- Pass the canopy (8) through the screw (5), and tighten the decorative nut (9) to fix the installed light fixture.
- After hanging the lamp, inset the light bulb (13) into lamp holder (12), and make sure to twist it in place and tightly.

Note: please use this product accordingly to its intended purpose, do not retrofit or remodeling the product. The warranty does not cover if the failure is caused by the third party product, or natural disasters.

Made in China