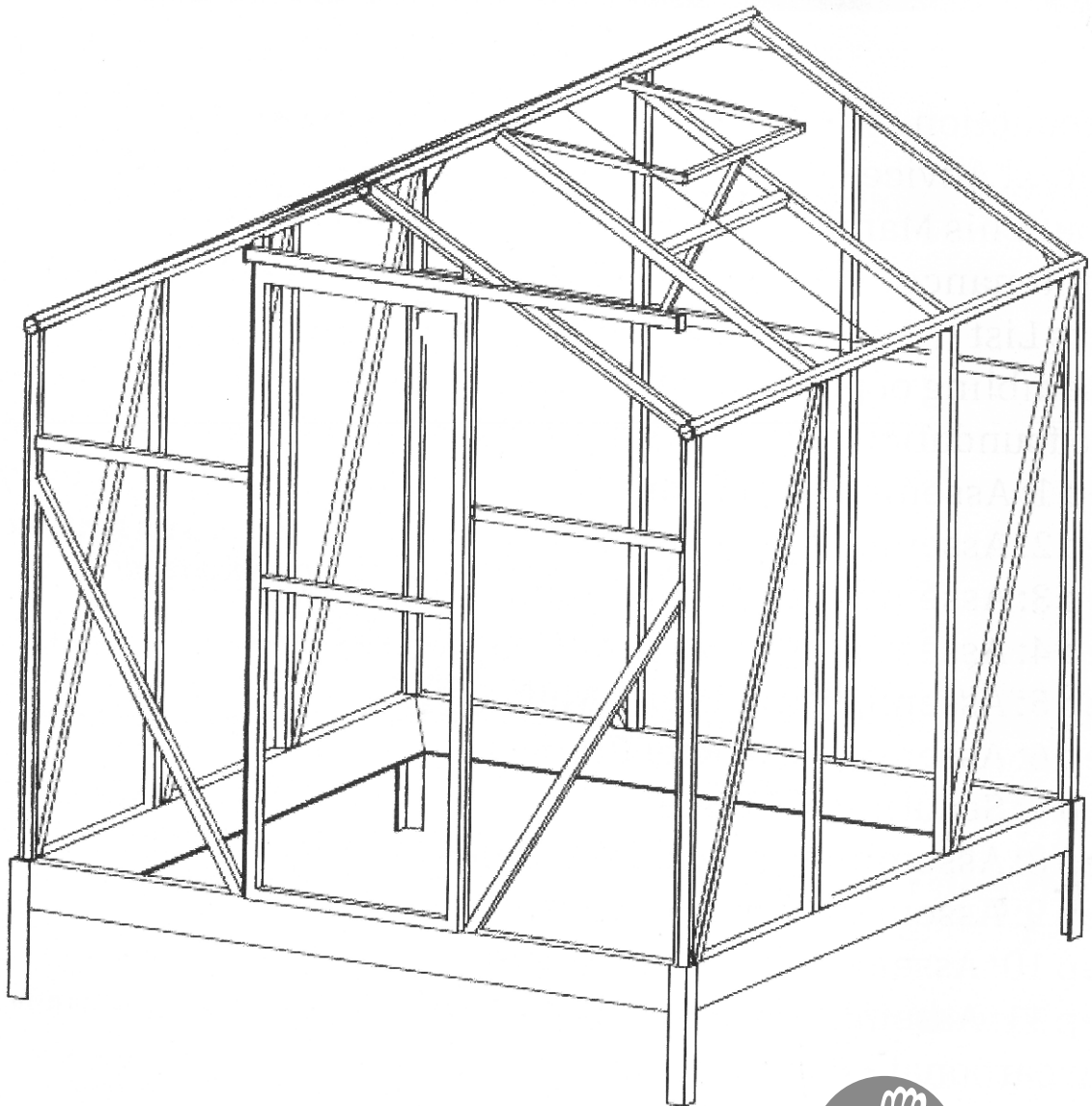


Assembly Manual

for Polycarbonate Greenhouses

6 x 6 Greenhouse



Assembly Manual

for Polycarbonate Greenhouses

6 x 6 Greenhouse

Table of Contents

Introduction	1
General Advice	1
About This Manual	2
Maintenance	3
Parts List	4
Assembling of pre-fabricated Base	5
Two foundation options with pre-fabricated Base	6
Step 1: Assembling of Door	7
Step 2: Assembling of Roof Vent	9
Step 3: Assembling of Main Frame	11
Step 4: Assembling of Backwall	16
Step 5: Assembling of Front Wall	20
Step 6: Assembling of Roof Frames	25
Step 7: Securing of Frames	31
Step 8: Assembling of Middle Frame	36
Step 9: Assembling of Roof Vent Holder	38
Step 10: Assembling of Side Braces	42
Step 11: Assembling of Panels	44
Polycarbonate Panel Layout	45
Step 12: Assembling of Gutters and Caps	46
Securing the Greenhouse to the pre-fabricated Base	48

To avoid injury, work gloves are recommended during assembly.

INTRODUCTION

CONGRATULATIONS

Congratulations on purchasing a Greenhouse. Please read the assembly manual and familiarise yourself with the parts and steps before assembling your Greenhouse.

NOTICE

It will take at least two adults about three hours to assemble the greenhouse. Do not assemble the greenhouse if tired or under the influence of alcohol, drugs or medication.

Follow the manual step by step.

Keep this manual for future reference.

IMPORTANT

The Greenhouse contains parts with sharp edges. Handle with care.

WEATHER

Do not assemble the greenhouse on a windy day.

USAGE

This is a hobby greenhouse. Use it as intended only.

Do not allow children or pets to play in the greenhouse.

WORKING AREA

Keep bystanders, kids or pets out of the working area.

TOOLS

Safety Work Gloves, Safety Goggles, Spirit Level, Tape Measure, Step Ladders, Philips Screwdriver, 8mm M5 Wrench(included), 10mm M6 Wrench(included).

GENERAL ADVICE

POLYCARBONATE SHEETS (Panels)

Polycarbonate sheets may scratch so be careful what you clean them with.

Do not use solvent cleaners to clean the sheets.

Polycarbonate sheets have sharp edges. Use safety work gloves while handling them.

Remove about 2 inches of films from all edges before installing.

Use the sheets as intended.

Remove all films after the construction is completed.

The UV-protected side of the sheet is covered with a layer of opal white film and must face the sun.

BASE

As per your choice, you may receive a greenhouse with or without a pre-fabricated base kit. Either way, this greenhouse must be secured to a firm base.

The Base must be level and square.

Before assembling the greenhouse, you must prepare a proper foundation. Two foundation options are provided in this manual. The concrete foundation option is recommended for a stronger installation.

SITE SELECTION

The greenhouse should be placed in an area that receives direct sunlight and gets shielded from wind.

The surface must be level.

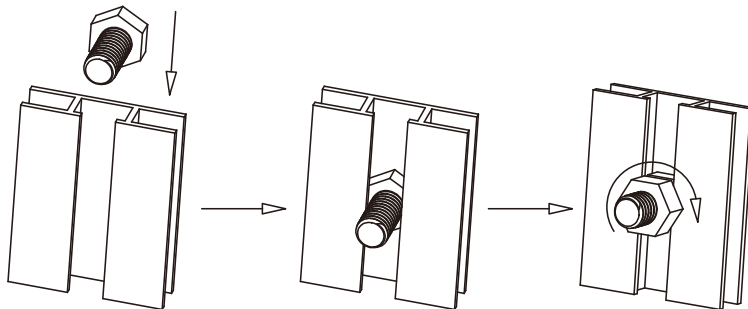
ABOUT THIS MANUAL

LEGENDS

A Steps. Follow the steps in alphabetic order, from Step A to Step B, etc.

F1 Part No. Each part is labeled with its Part No.

BOLT INSERTION



Several steps in this manual involve inserting F4 Bolts into the groove of Aluminum profiles as a preparation for further installation. Diagrams above illustrate how to use such inserted bolts.

F4 BOLTS AND NUTS

Part No. F4 refers to both the bolt and the nut. In some steps only the bolt or the nut will be used and in other steps the whole set will be used. Check the specific Part List in each step.

SEALING

Sealing the greenhouse by applying glue or tapes between the polycarbonate sheets and aluminum profiles will keep insects out and provide better stability against wind.

Sealant and glue gun are not included.

PARTS

Identify all parts using the parts list on next page and labels on the parts.

Layout each part needed for a step before working on that step.

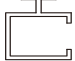




MAINTENANCE






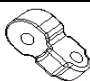

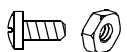
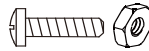
Inspect the greenhouse periodically.





When the greenhouse needs cleaning, use a gentle detergent.









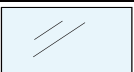
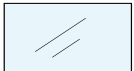

Please contact seller on your account for help if have any problem when assemble or miss something, we will try our best to help you solve the issue.




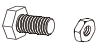

PARTS LIST

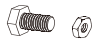

Part No.	Part	Qty.
D1		1
D2		1
D3		2
D4		1
F1		8






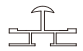
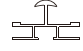








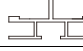
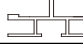



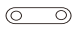

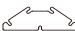
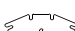

Part No.	Part	Qty.
W1		1
W2		2
W3		1
W4		1
S8		1
S9		1
F2		4
F8		1
F9		1

Part No.	Part	Qty.
S5		2
S6L		2
S6R		2
S7		2




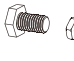
Part No.	Part	Qty.
P1		2
P2		1
P3		4
P4L		2
P4R		2
P5		1
P6		1
P7		1
P8		6
P9		5
P10		1

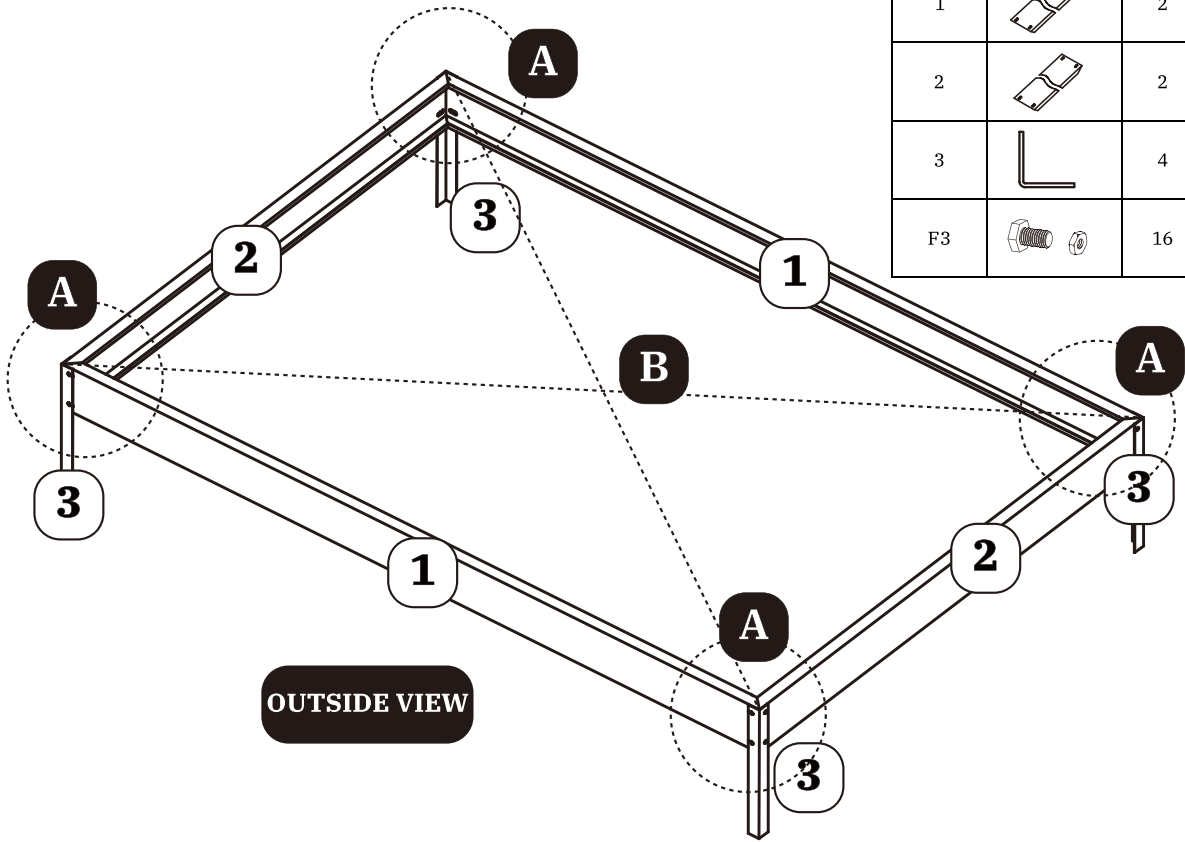
Part No.	Part	Qty.
1		2
2		2
3		4
F3		16
B2		16

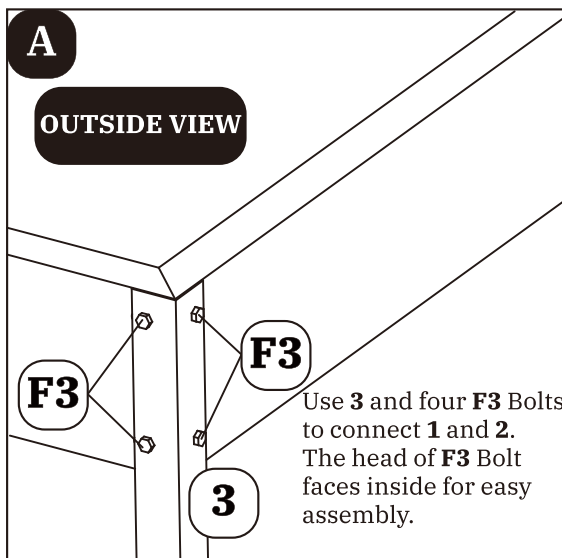
Part No.	Part	Qty.
F4		116
F6		2

Part No.	Part	Qty.
4		2
5		1
6		1
7		4
8		2
9		2
10L		1
10R		1
12		5
13		1
14		1
15		1
16		4
17		1
18		1
19		4
20		4
22		4
23		4
25		2
B3		6
B4		4
B5		4
B6		2
B7		1

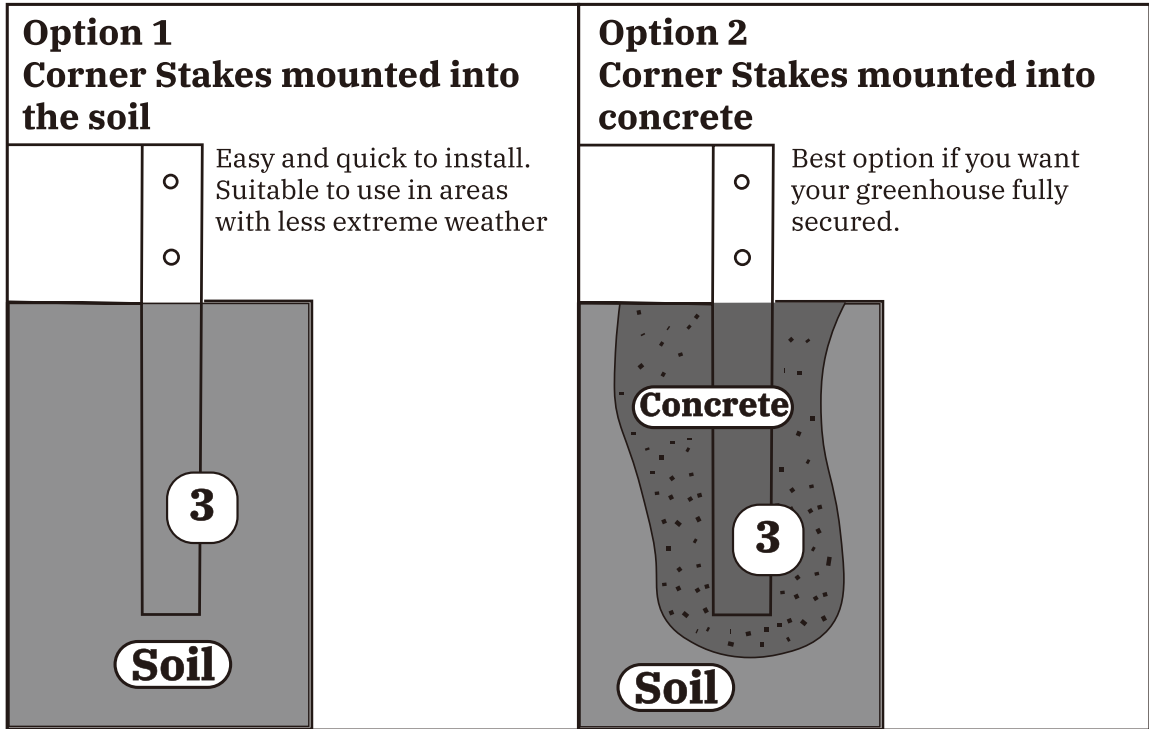
Assembling of Pre-fabricated Base

Part No.	Part	Qty.
1		2
2		2
3		4
F3		16

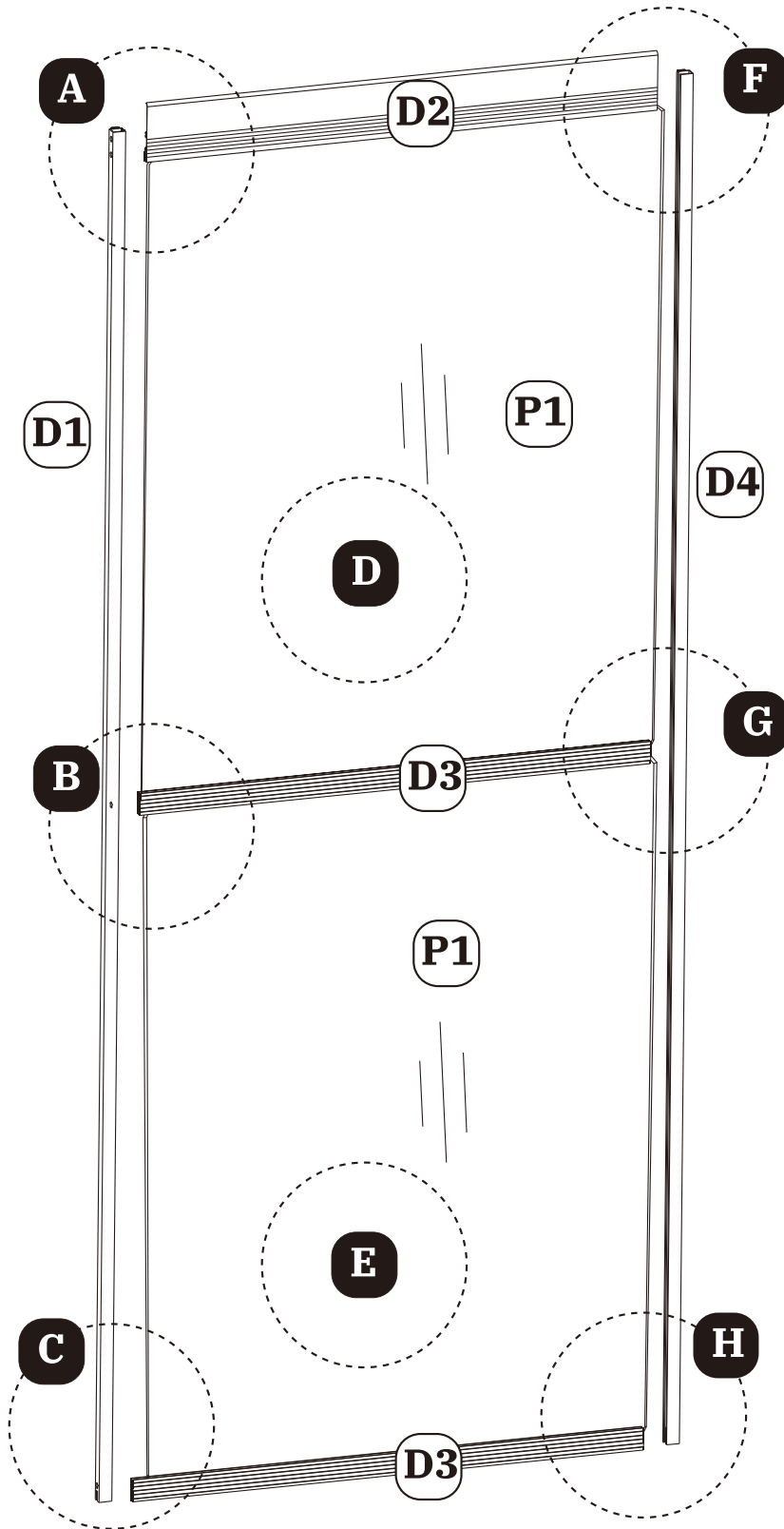


<p>A</p> <p>OUTSIDE VIEW</p>  <p>F3</p> <p>3</p> <p>Use 3 and four F3 Bolts to connect 1 and 2. The head of F3 Bolt faces inside for easy assembly.</p>	<p>B</p> <p>Take the fully assembled base to the chosen site and secure the base to the ground.</p> <p>TIP: measure the length of the two diagonal of the base to make sure that the base is in a square shape.</p> <p>Use a level to make sure the secured base is flat.</p>
---	--

Two foundation options with pre-fabricated Base



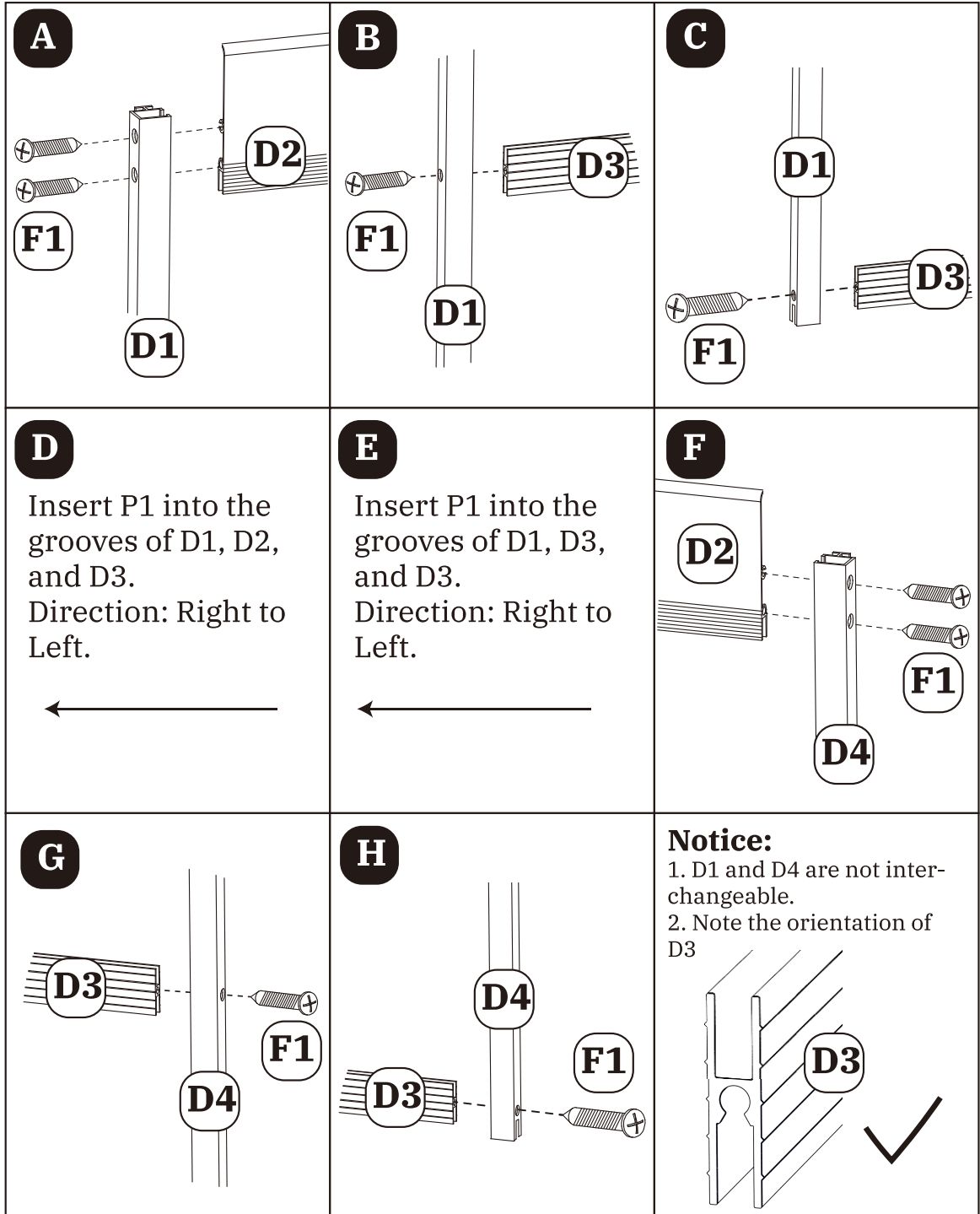
1. Assembling of Door



Part No.	Part	Qty.
D1		1
D2		1
D3		2
D4		1
F1		8
P1		2

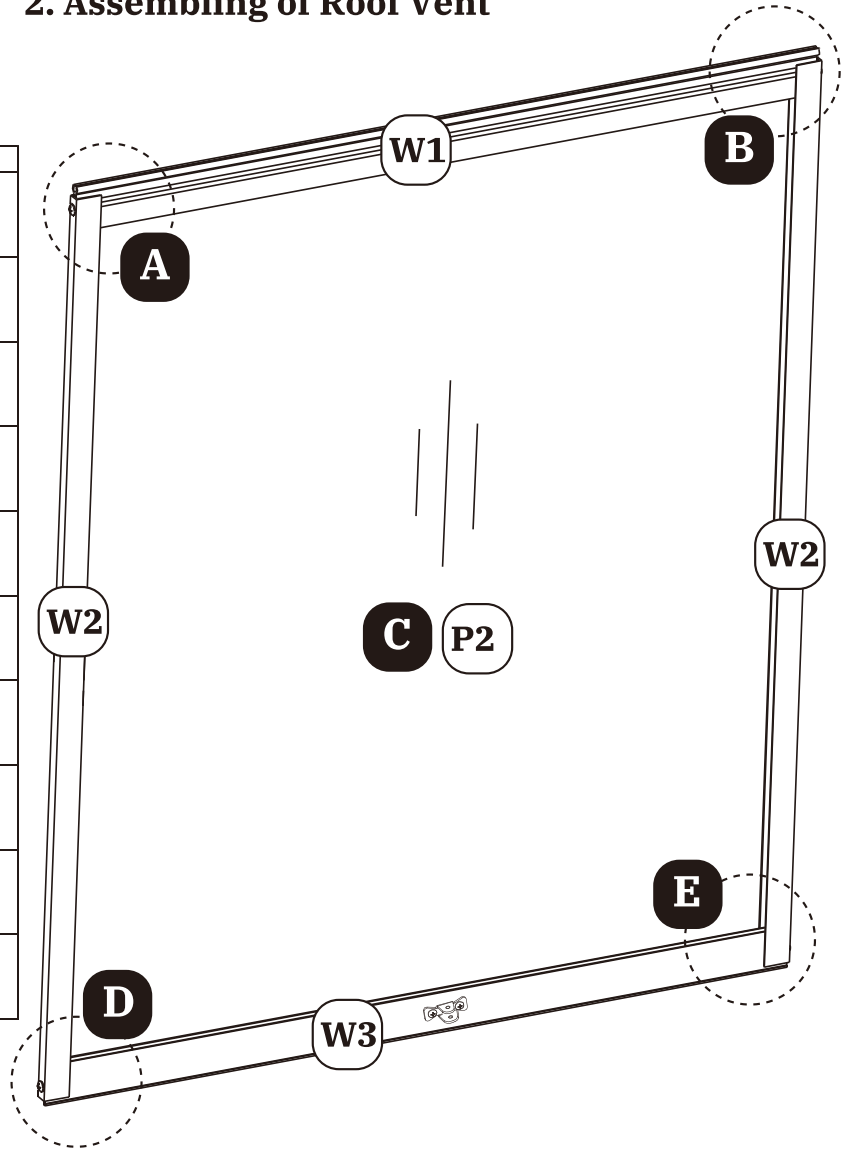
OUTSIDE VIEW

1. Assembling of Door Continued

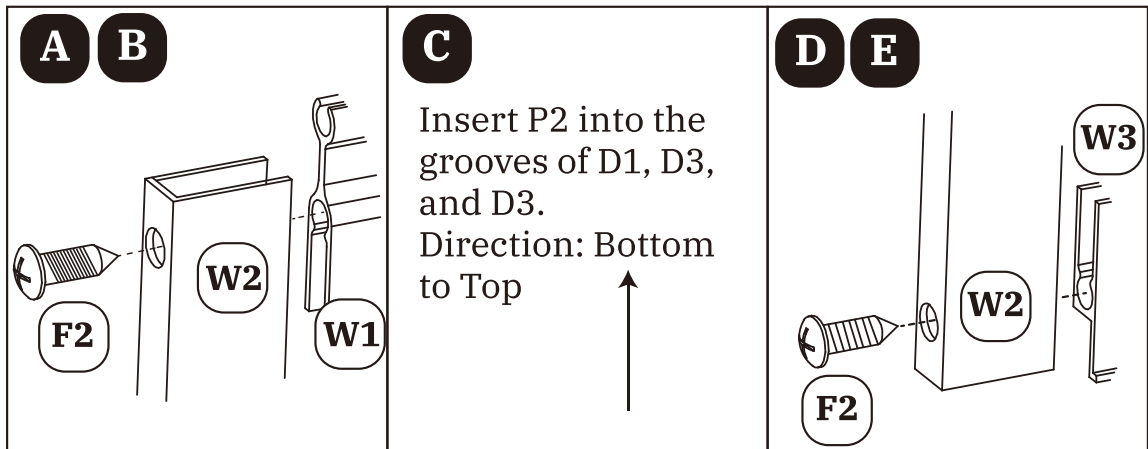


2. Assembling of Roof Vent

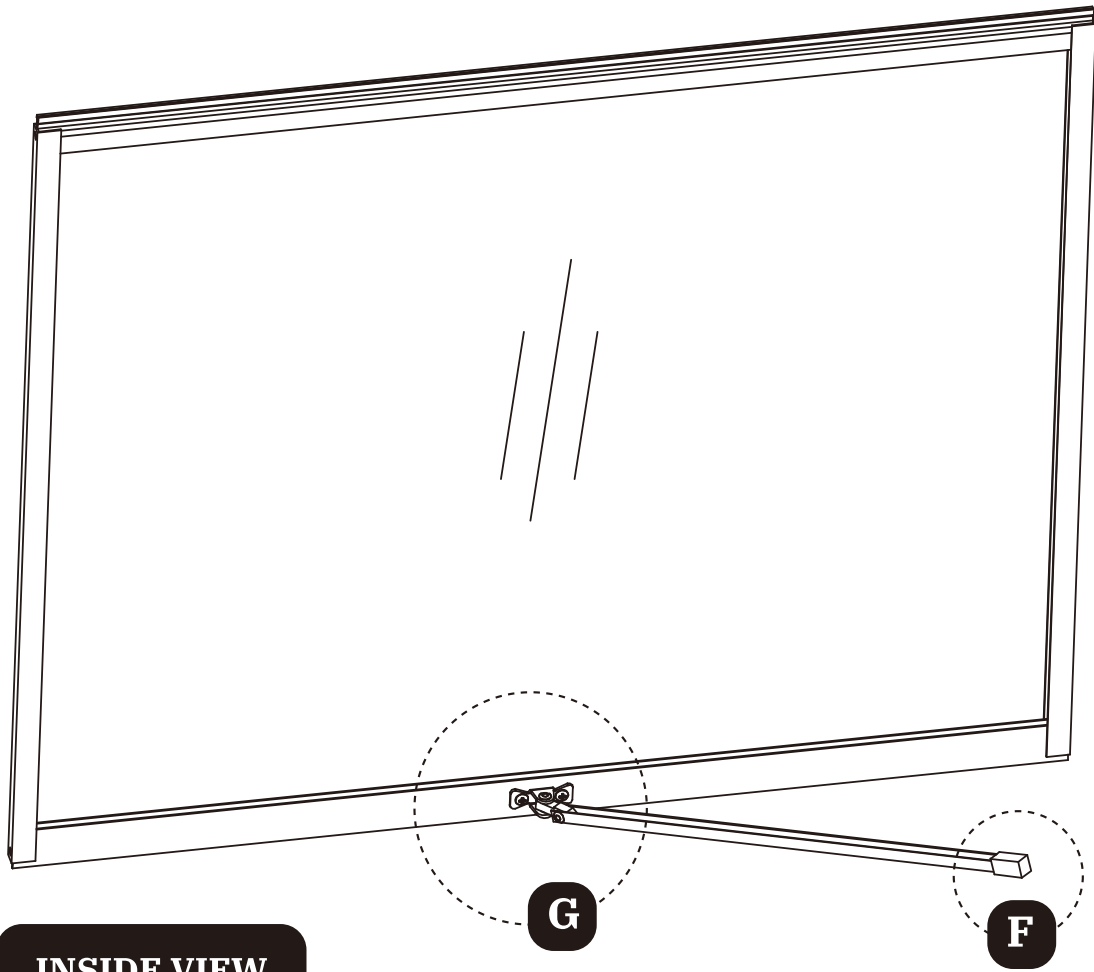
Part No.	Part	Qty.
W1		1
W2		2
W3		1
W4		1
S8		1
S9		1
F2		4
F8		1
F9		1
P2		1



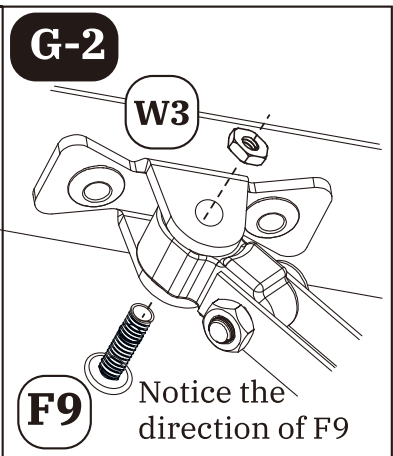
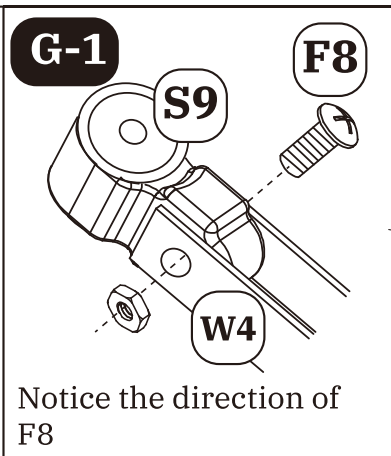
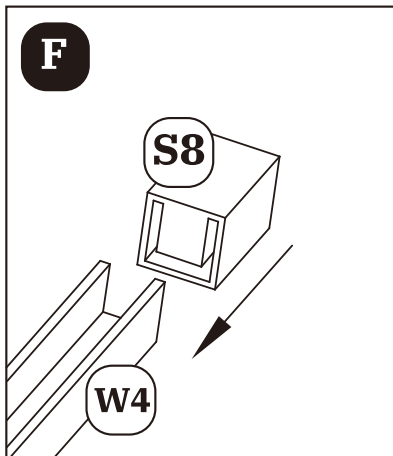
INSIDE VIEW









2. Assembling of Roof Vent Continued

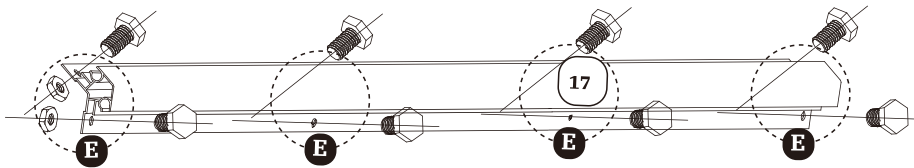
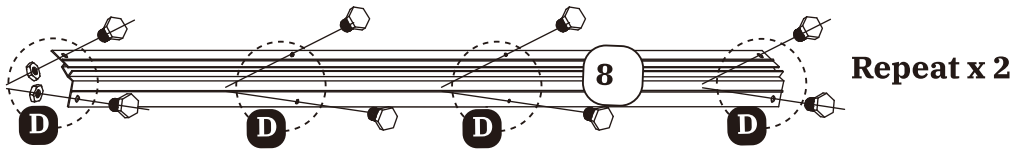
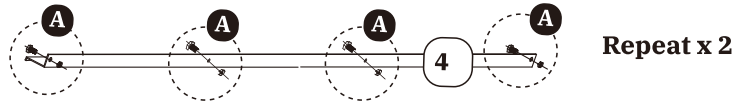


INSIDE VIEW

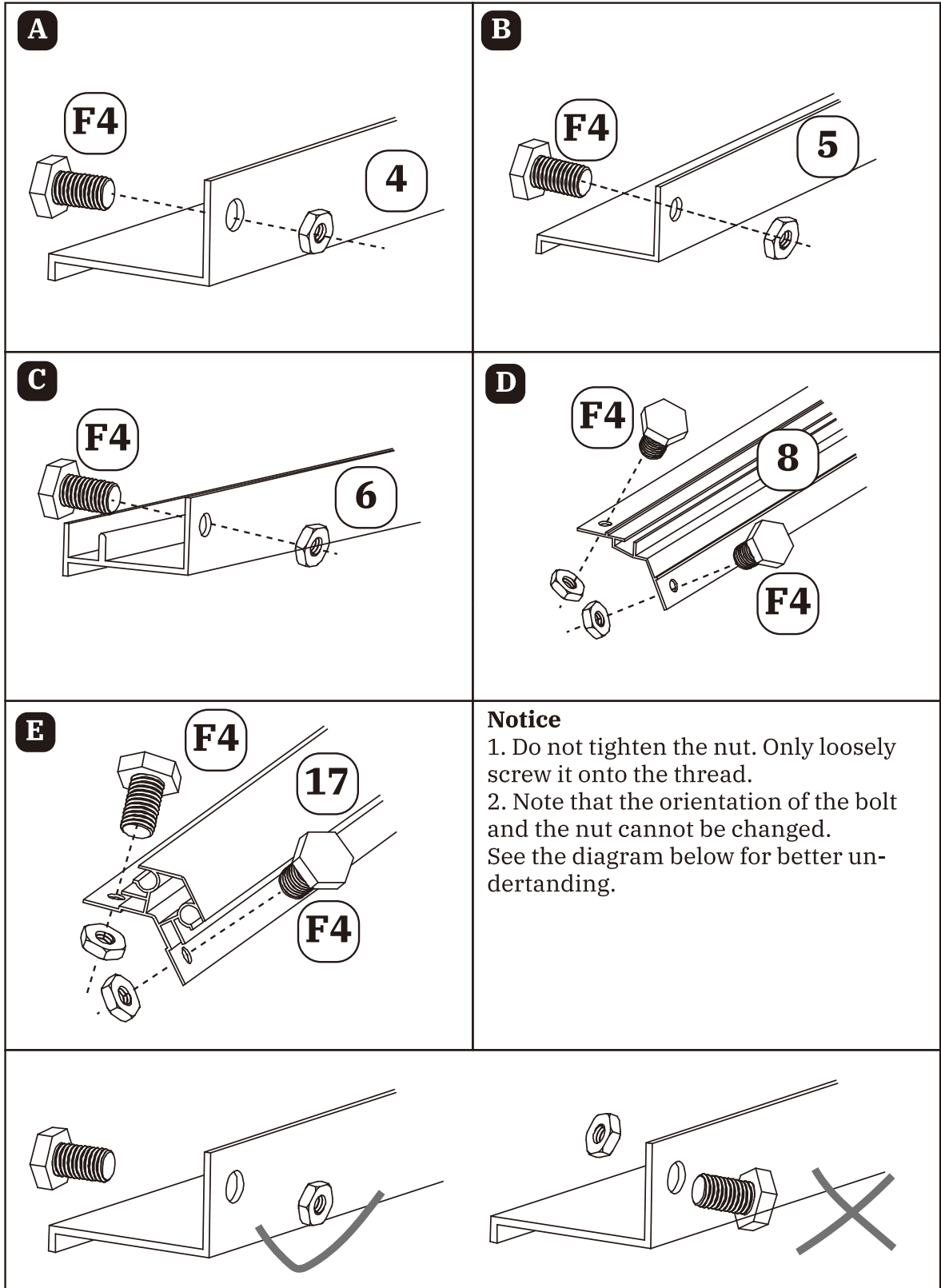


3. Assembling of Main Frame

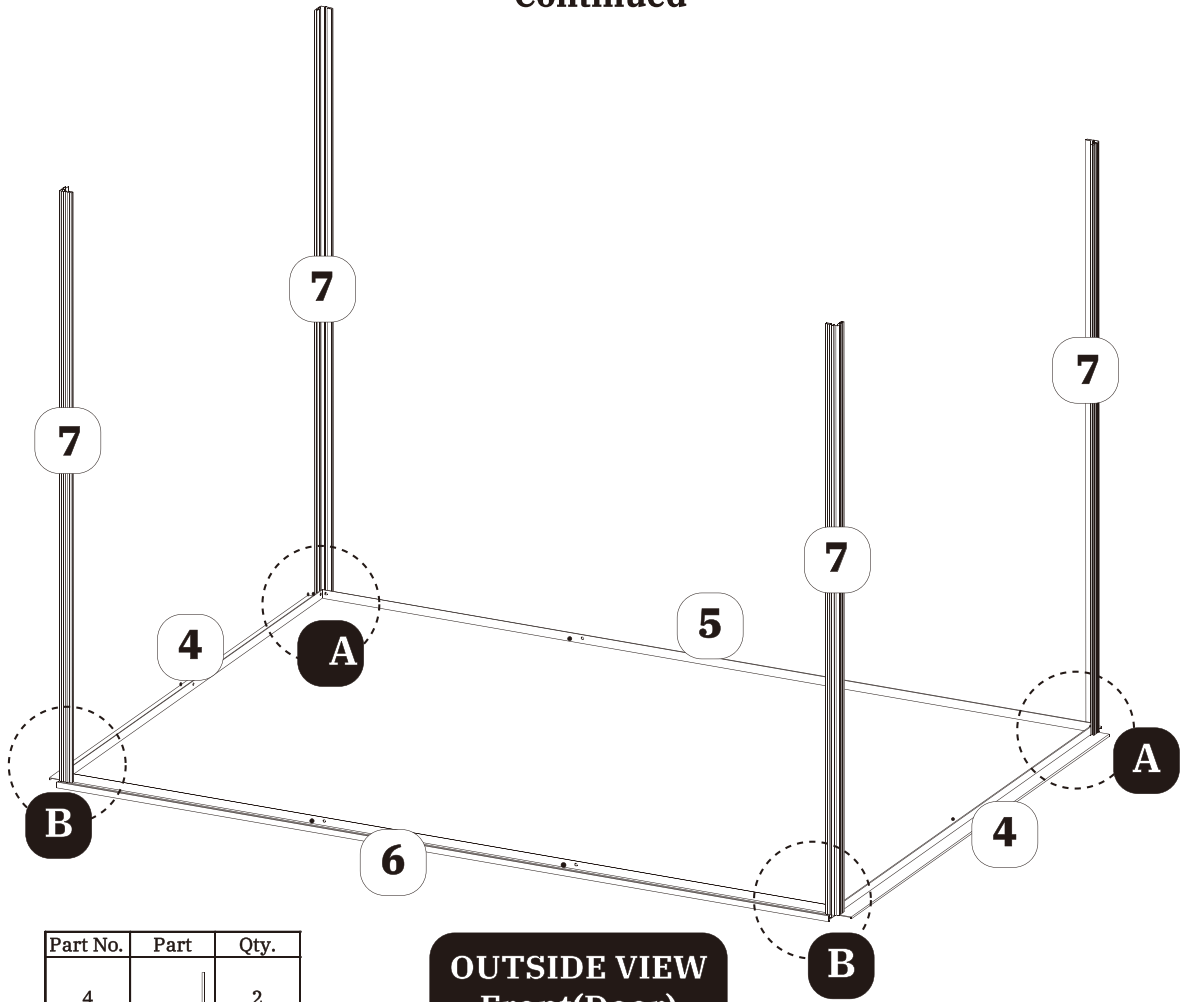
Part No.	Part	Qty.
4		2
5		1
6		1
8		2
17		1
F4		40



3. Assembling of Main Frame Continued

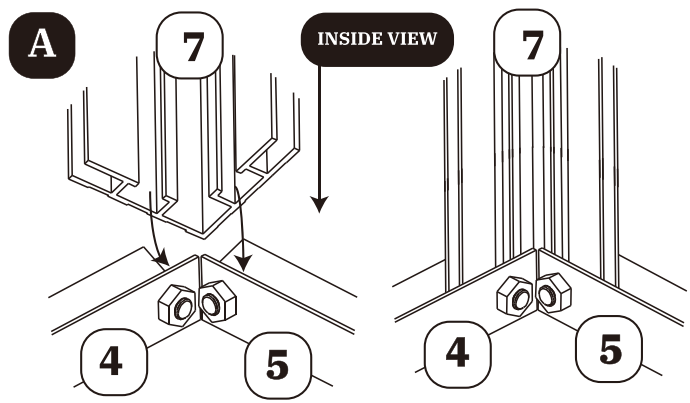


3. Assembling of Main Frame Continued



Part No.	Part	Qty.
4		2
5		1
6		1
7		4
10L		1
10R		1
F4		16

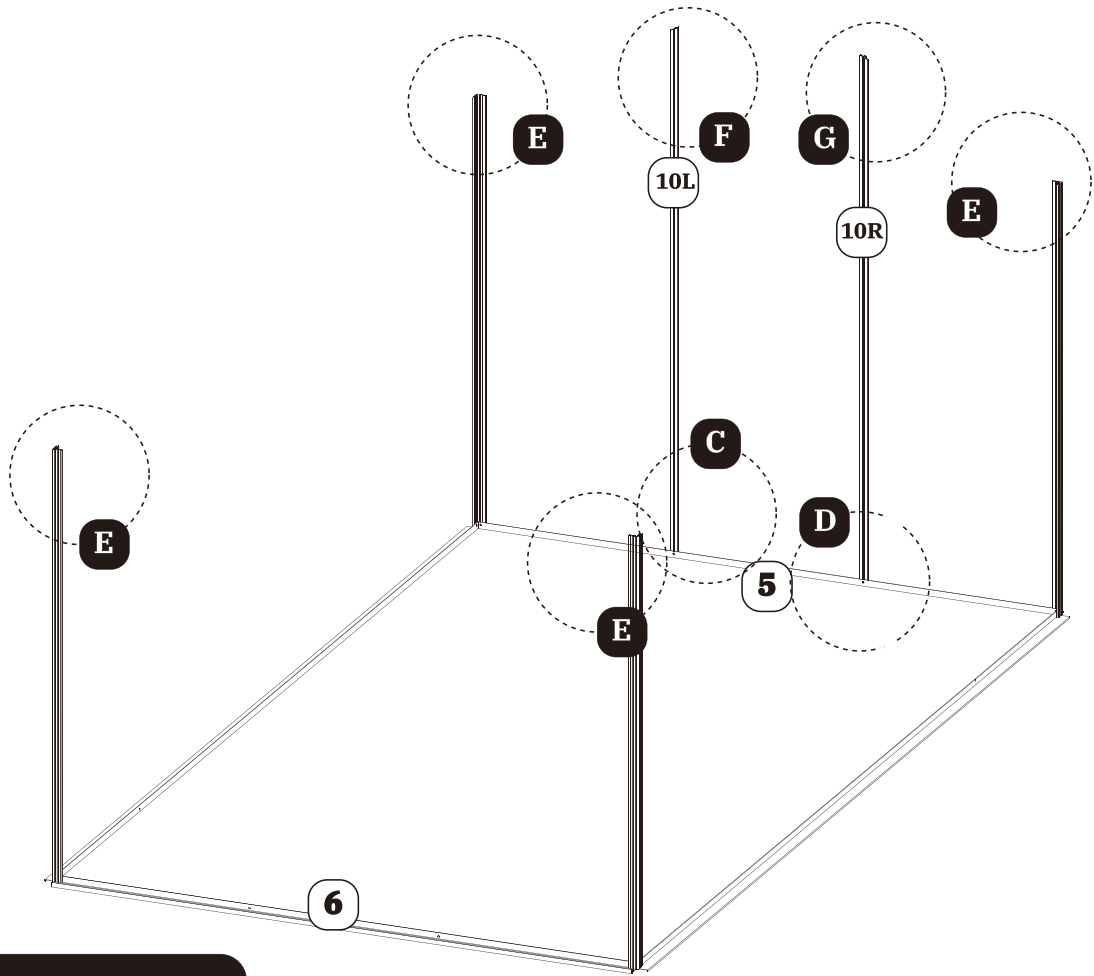
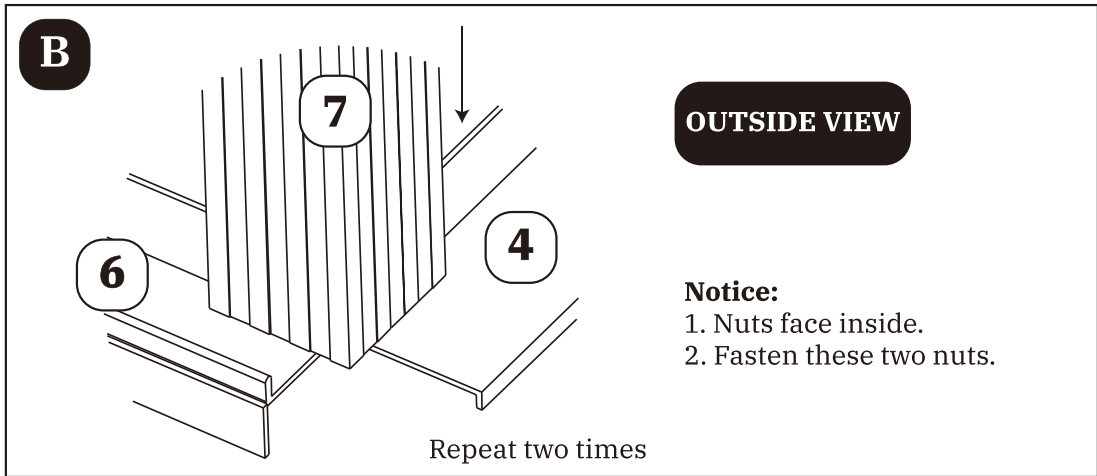
OUTSIDE VIEW
Front(Door)



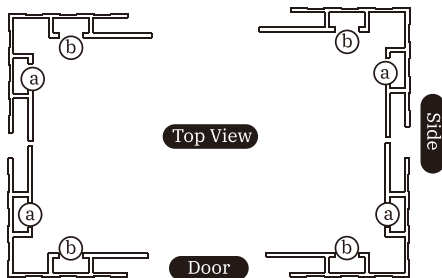
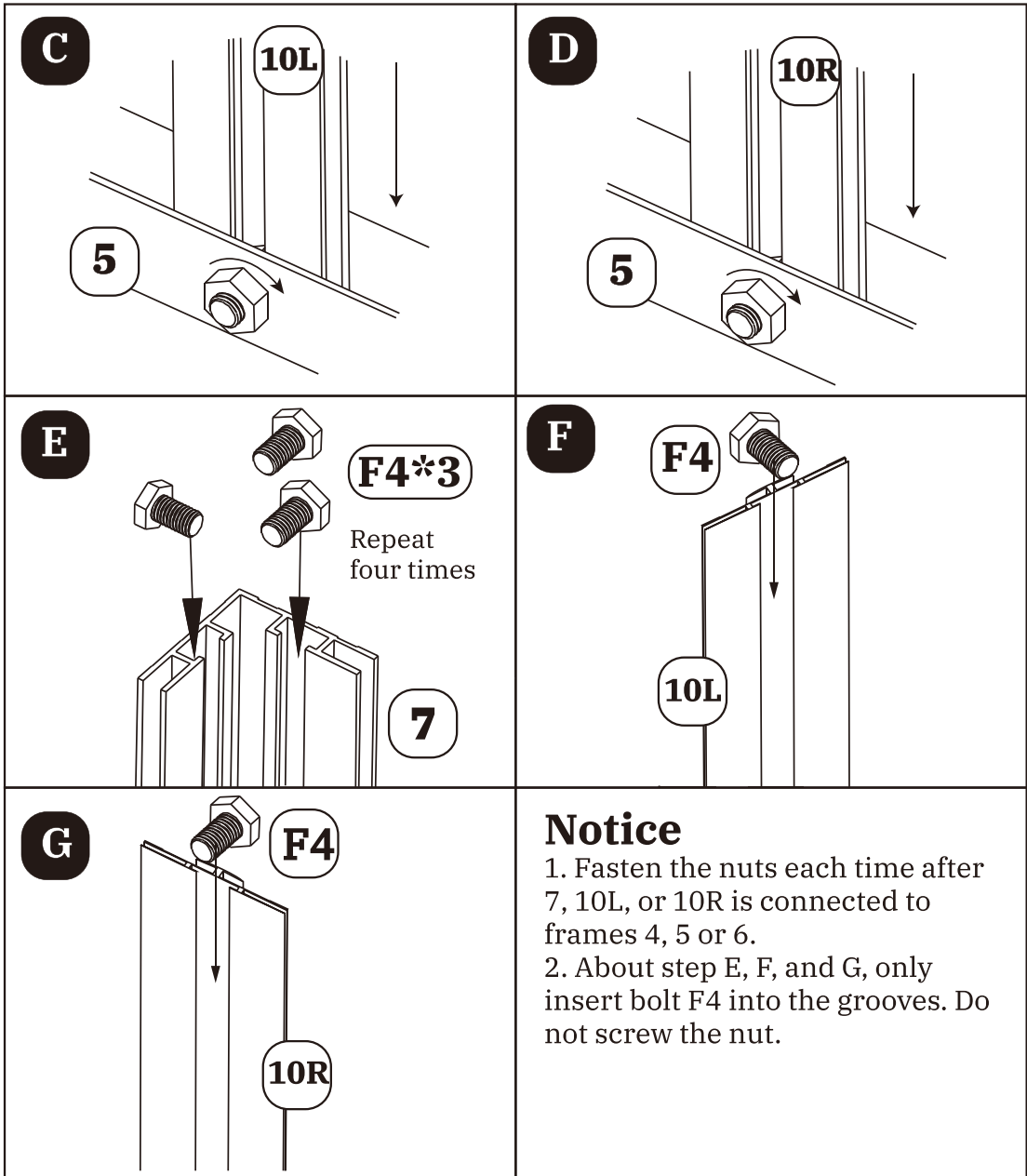
Repeat two times

Notice: 1. Nuts face inside.
2. Fasten these two nuts.

3. Assembling of Main Frame Continued

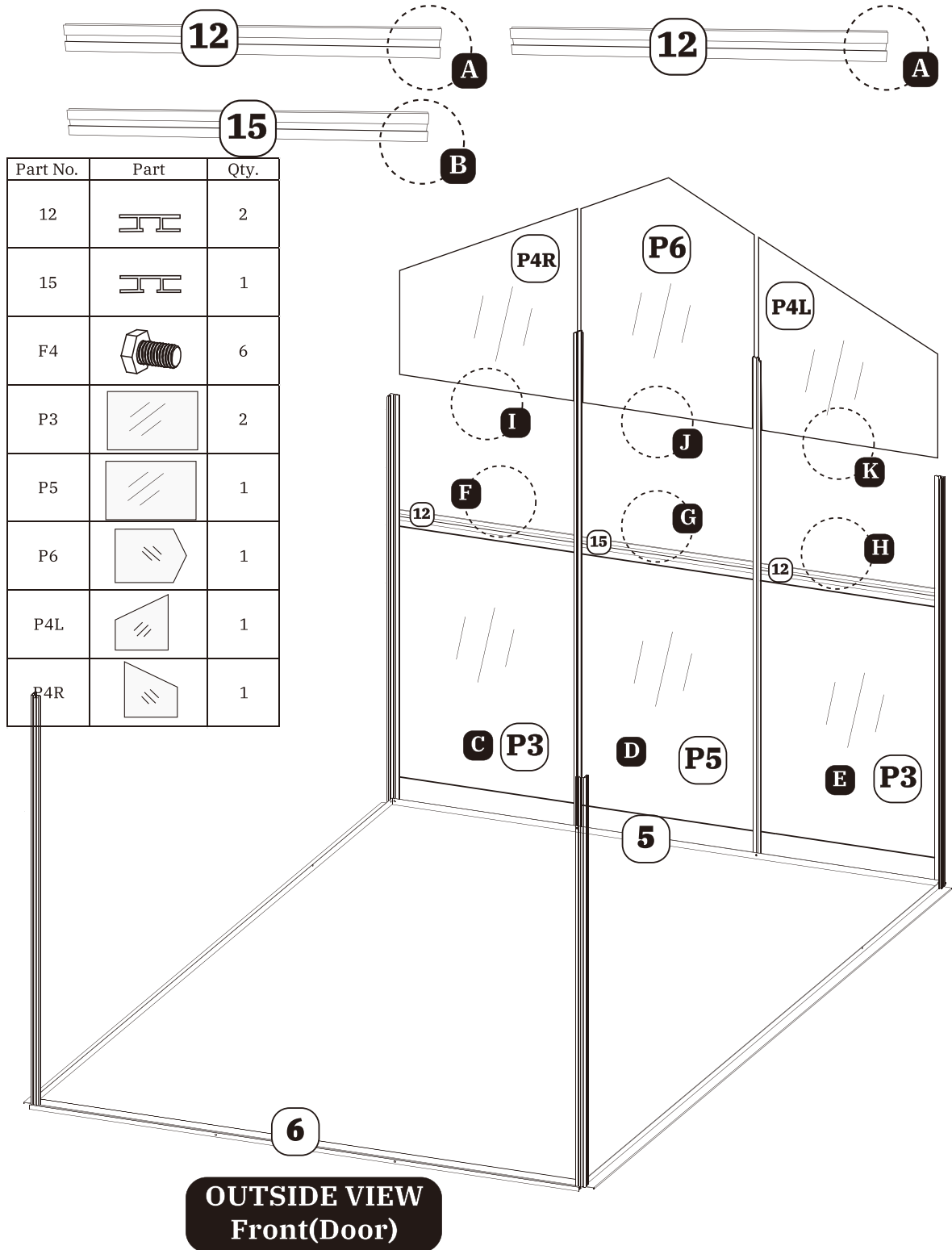


3. Assembling of Main Frame Continued

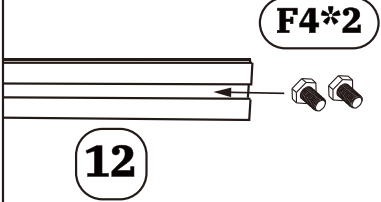
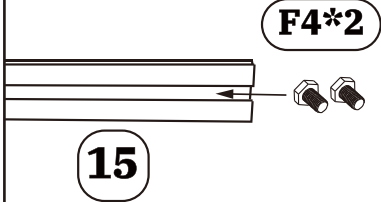
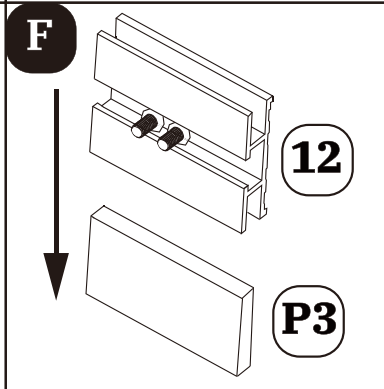
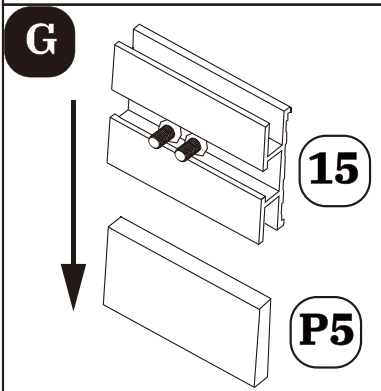
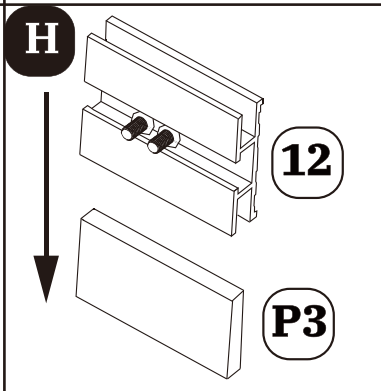


3. About step E, note that each 7 has two grooves where F4 bolts will be inserted into. The groove facing either side wall of the greenhouse is **groove a**, and the one facing either the door or the back wall is **groove b**. In step E, insert 2 Bolt F4 into each **groove b**, and one Bolt F4 into each **groove a**.



4. Assembling of Backwall

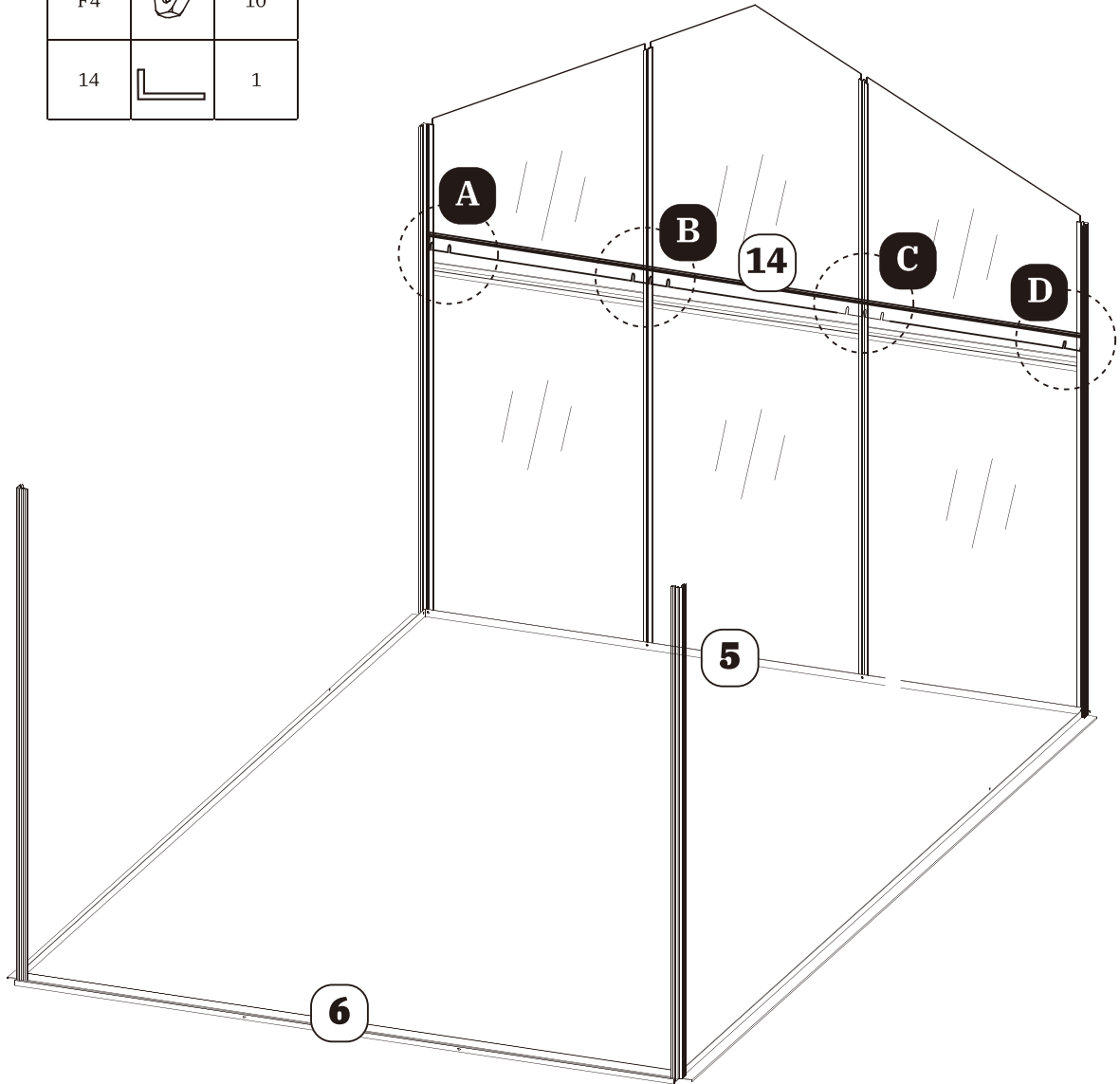


4. Assembling of Backwall Continued

<p>A</p>  <p style="text-align: center;">Repeat two times</p>	<p>B</p> 	<p>C</p> <p>Insert P3 into grooves of 7, 10L till P3 rests on 5.</p>
<p>D</p> <p>Insert P5 into grooves of 10L, 10R till P5 rests on 5.</p>	<p>E</p> <p>Insert P3 into grooves of 10R, 7 till P3 rests on 5.</p>	<p>F</p> 
<p>G</p> 	<p>H</p> 	<p>I</p> <p>Insert P4R into grooves of 7, 10L till P4R goes into the top groove of 12.</p>
<p>J</p> <p>Insert P6 into grooves of 10L, 10R till P6 goes into the top groove of 15.</p>	<p>K</p> <p>Insert P4L into grooves of 10R, 7 till P4L goes into the top groove of 12.</p>	<p>Notice Have a person buttress the back wall.</p>

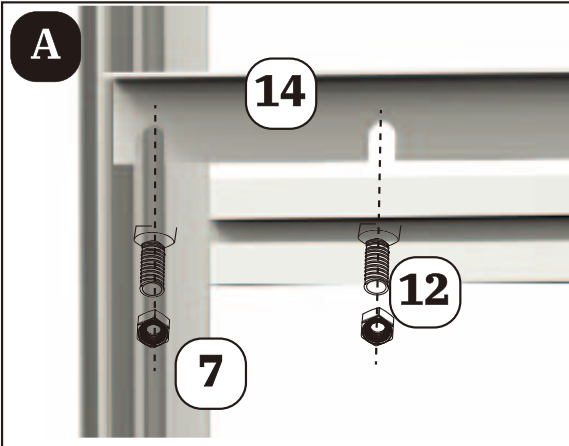
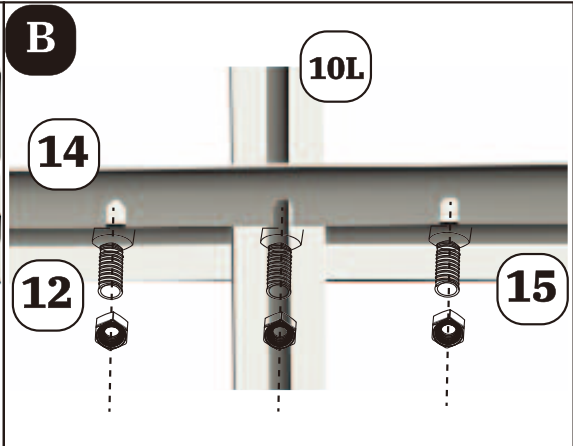
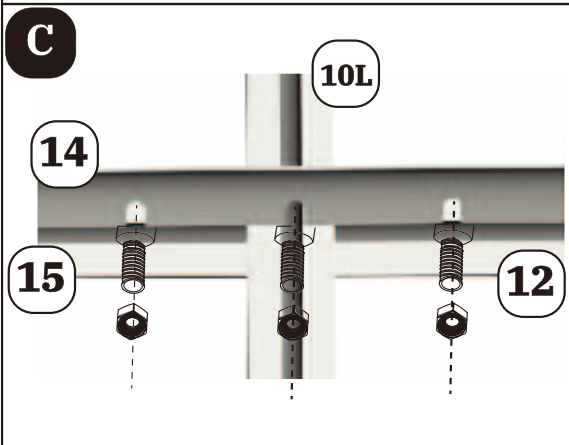
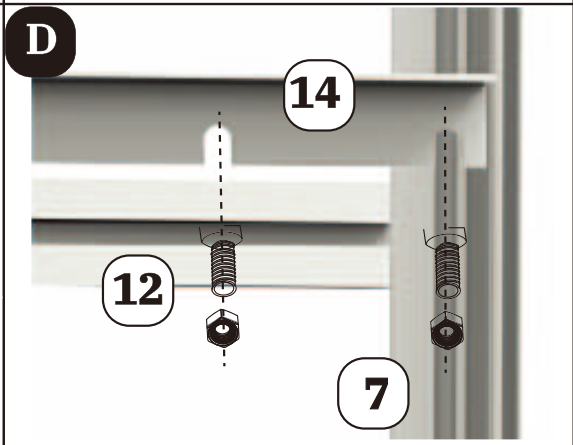
4. Assembling Backwall Continued

Part No.	Part	Qty.
F4		10
14		1





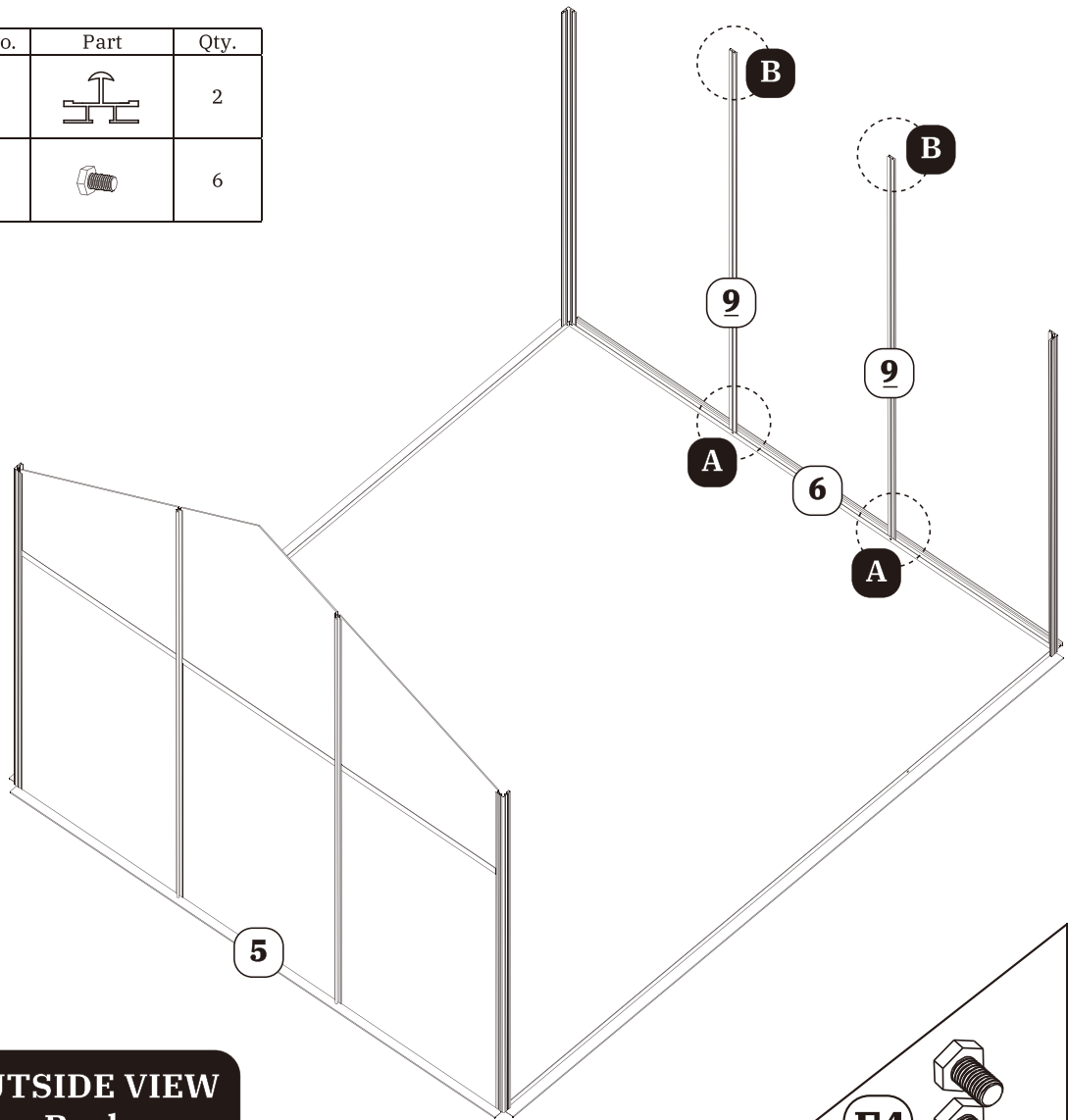
OUTSIDE VIEW
Front(Door)

4. Assembling of Backwall Continued

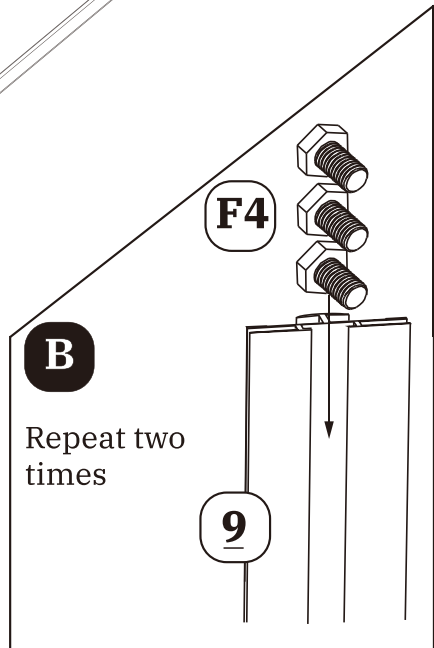
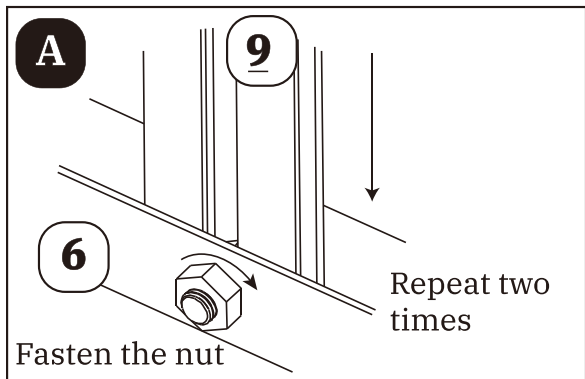
<p>A</p> 	<p>B</p> 
<p>C</p> 	<p>D</p> 
<p>Notice 1</p> <ol style="list-style-type: none"> About Step A or D, two Bolt F4 will be used. One comes from 7 and the other from 12. Both of these two bolts were inserted into respective grooves in previous steps. You do not need new bolts here, only the nuts. Fasten the nuts. 	<p>Notice 2</p> <ol style="list-style-type: none"> About Step B or C, three Bolt F4 will be used. One from 12, one comes from 10L/10R, and the rest from 15. All of these bolts were inserted into respective grooves in previous steps. You do not need new bolts here, only the nuts. Fasten the nuts.

5. Assembling of Front wall



Part No.	Part	Qty.
9		2
F4		6

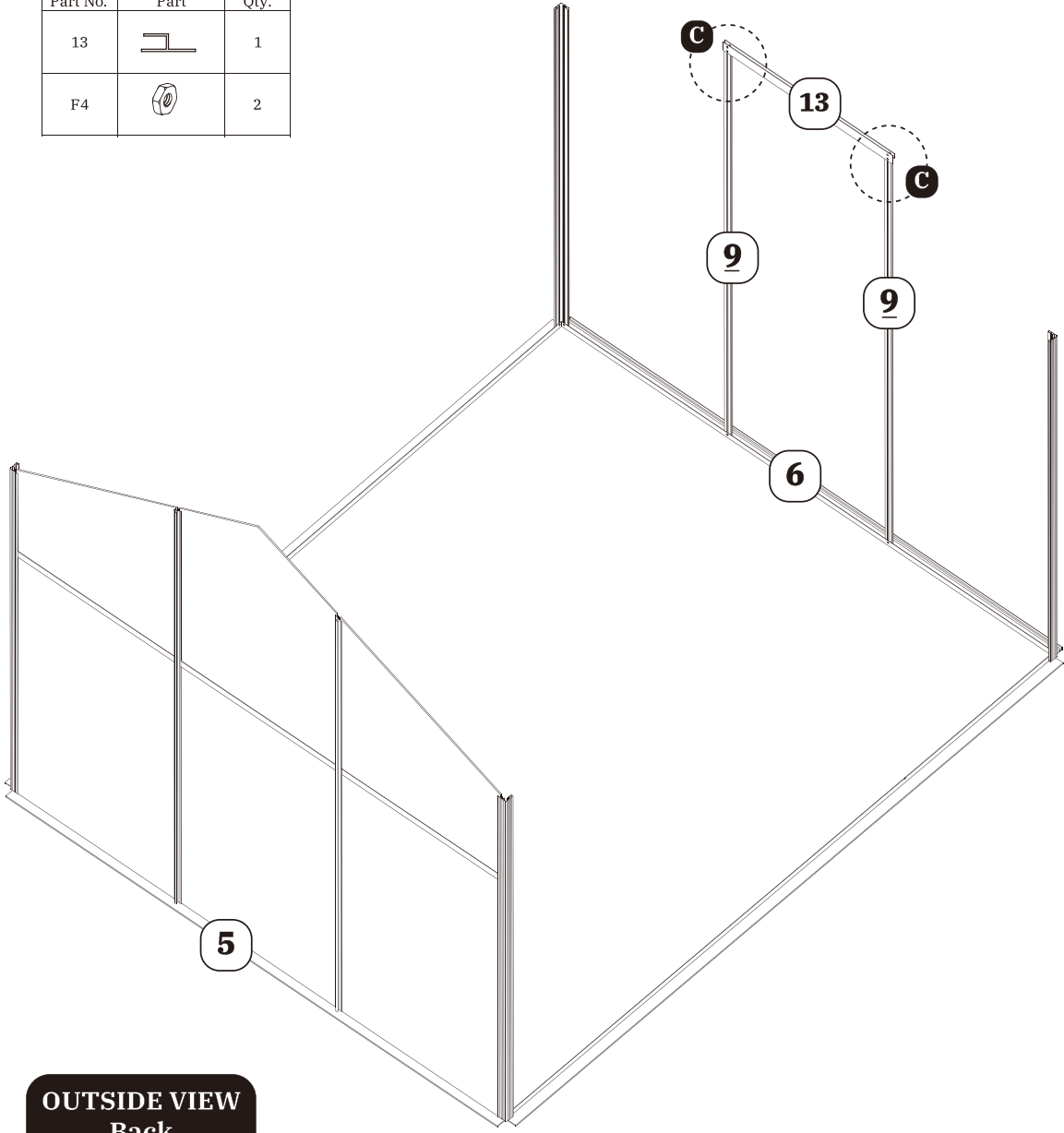


OUTSIDE VIEW
Back

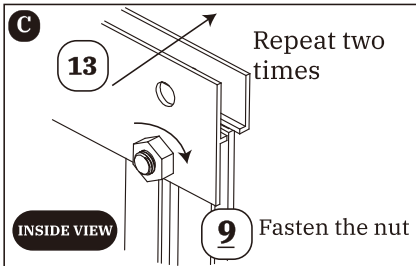


5. Assembling of Front wall Continued

Part No.	Part	Qty.
13		1
F4		2



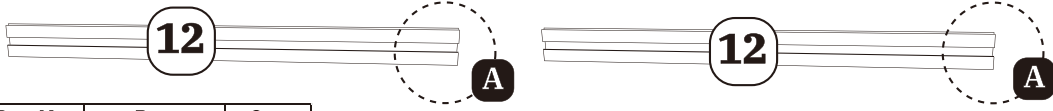
OUTSIDE VIEW
Back



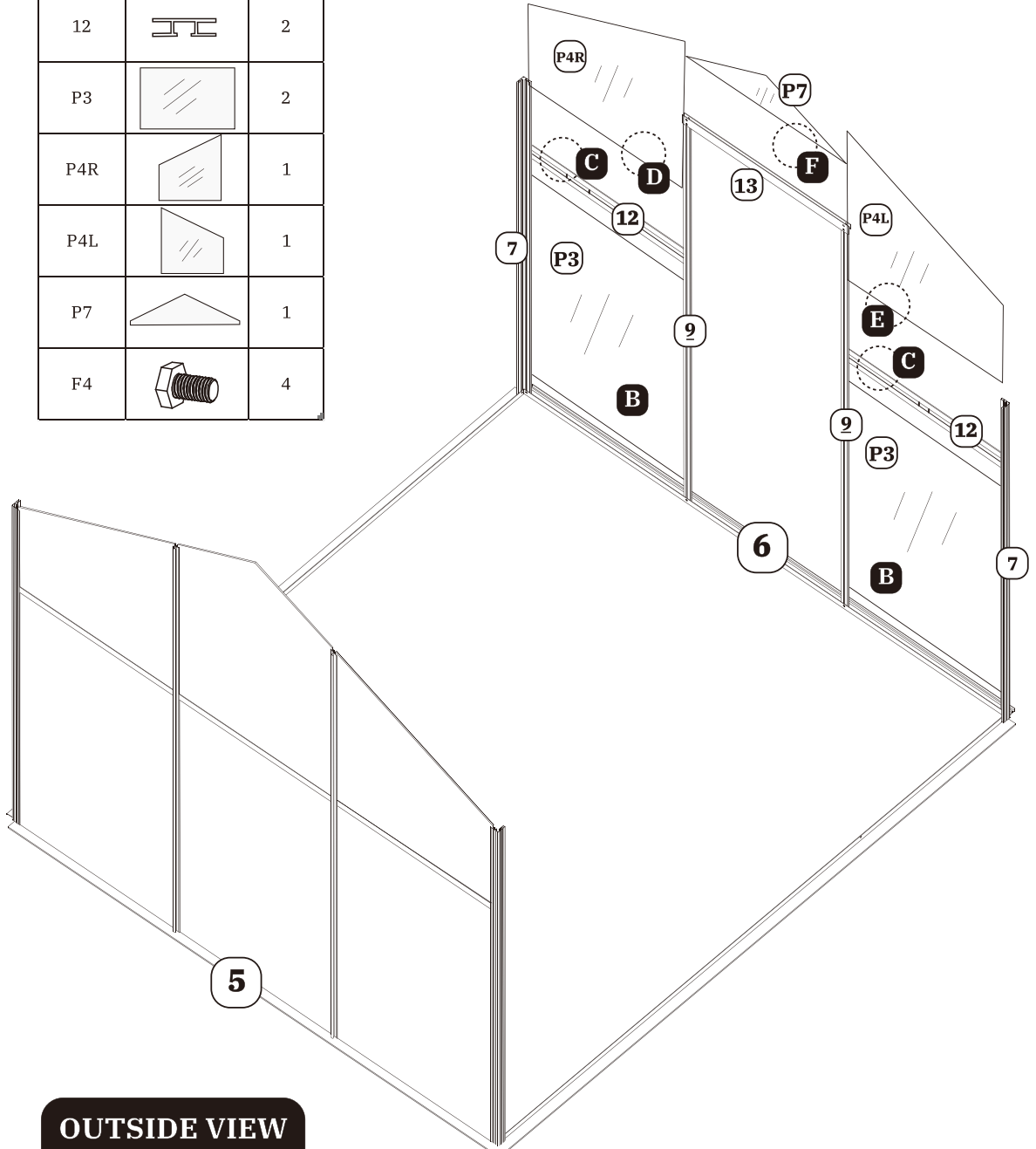
Notice

- About Step B, only insert **Bolt F4** into the groove. Do not screw the nut.
- About Step C, one **Bolt F4** will be used. It comes from **9** and was inserted into **9** in Step B. You do not need new bolts here, only the nuts.
- Note the orientation of **13**.
- Notice that in step A and B, **9** has one of its end removed. The removed space is where **13** is rested.

5. Assembling of Front wall Continued

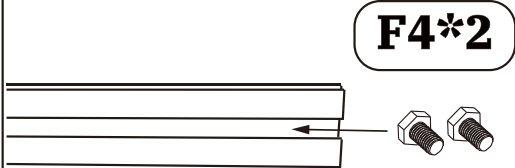
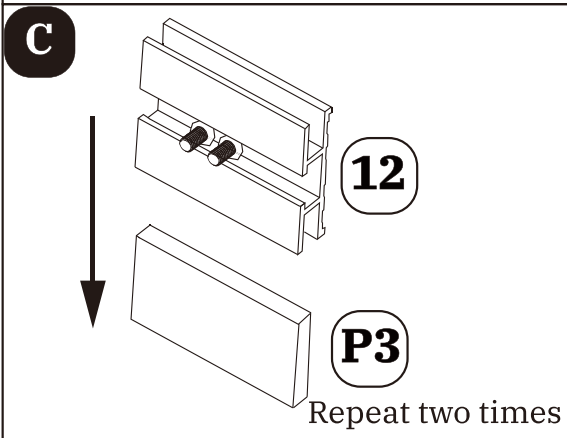


Part No.	Part	Qty.
12		2
P3		2
P4R		1
P4L		1
P7		1
F4		4





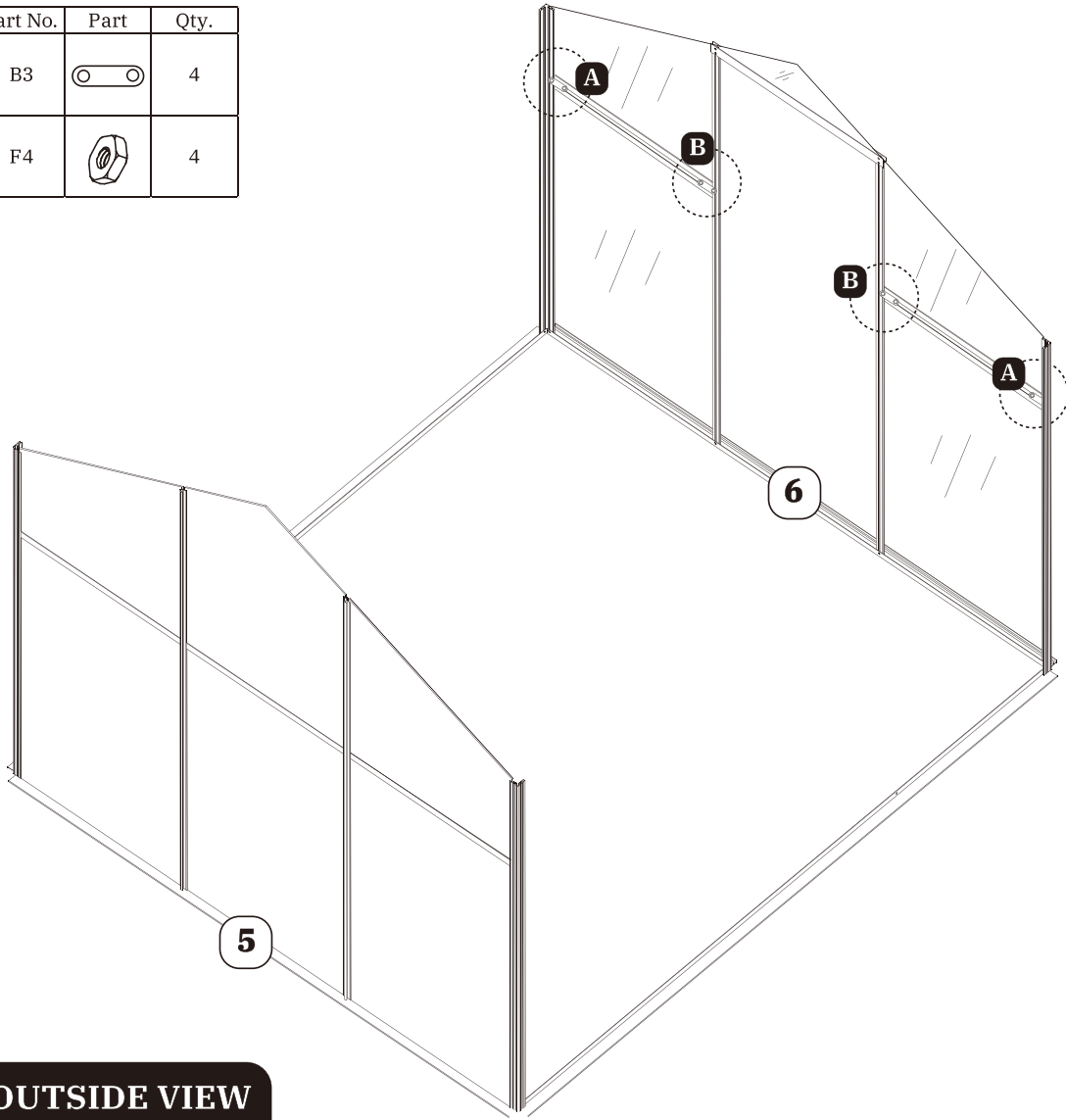
OUTSIDE VIEW
Back

5. Assembling of Front wall Continued

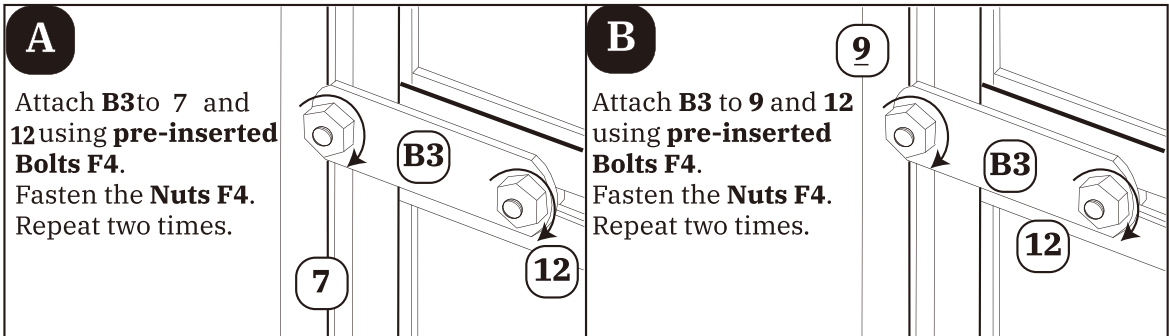
<p>A</p>  <p>F4*2</p> <p>12 Only insert the bolts. Do not screw the nuts. Repeat two times</p>	<p>B</p> <p>Insert P3 into grooves of 7 and 9 till P3 rests on 6.</p> <p>Repeat two times</p>
<p>C</p>  <p>12</p> <p>P3</p> <p>Repeat two times</p>	<p>D</p> <p>Insert P4R into grooves of 7 and 9, till P4R goes into the top groove of 12.</p>
<p>E</p> <p>Insert P4L into grooves of 7 and 9, till P4L goes into the top groove of 12.</p>	<p>F</p> <p>Insert P7 into the top groove of 13.</p> <p>Have a person or a chair to buttress the front wall.</p>

5. Assembling of Front wall Continued



Part No.	Part	Qty.
B3		4
F4		4

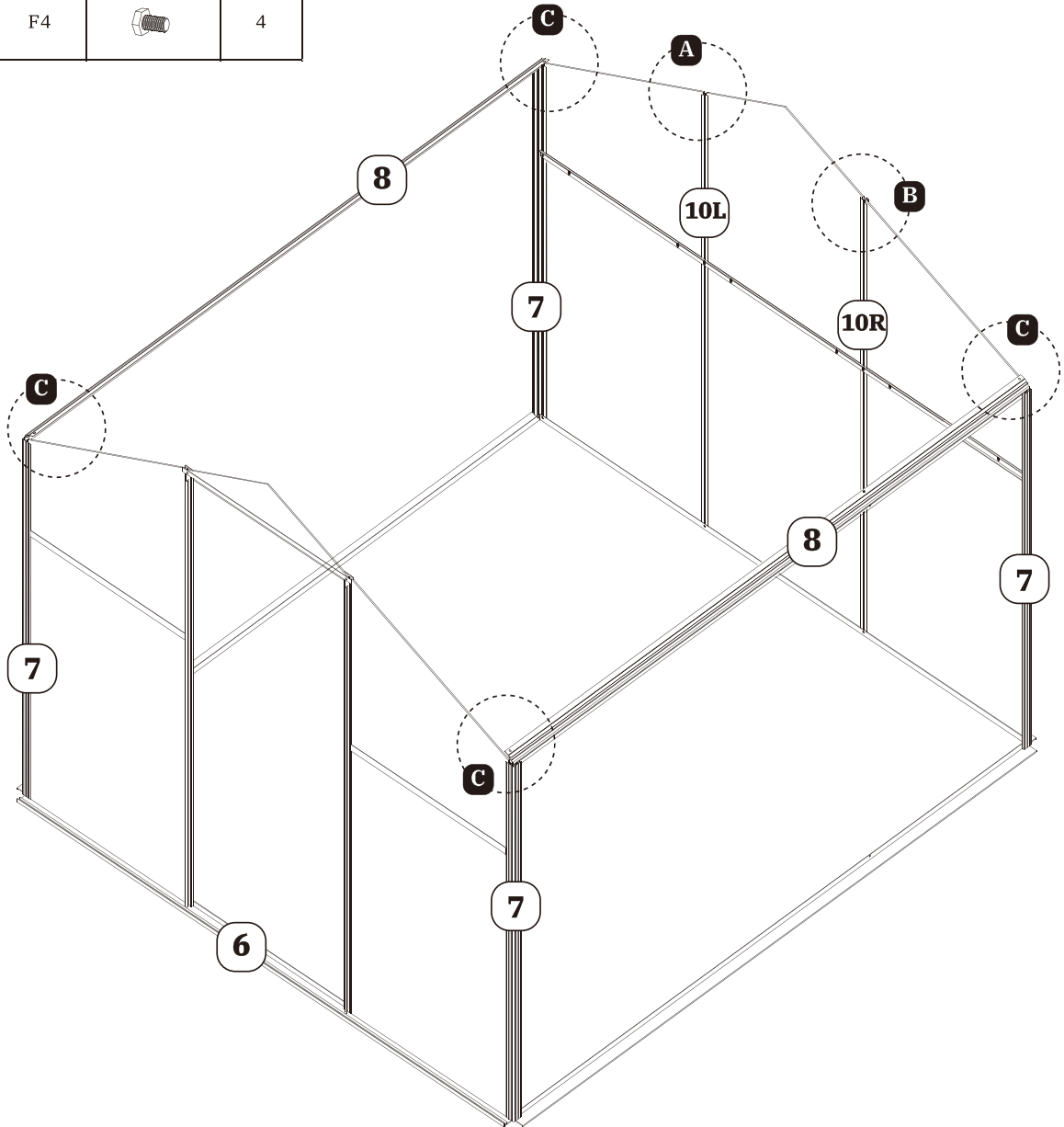


OUTSIDE VIEW
Back



6. Assembling of Roof Frames

Part No.	Part	Qty.
8		2
F4		4



OUTSIDE VIEW
Front

6. Assembling of Roof Frames Continued

A

Only insert the bolts.
Do not screw the nuts.

B

Only insert the bolts.
Do not screw the nuts.

C

INSIDE VIEW

OUTSIDE VIEW PROFILE VIEW

Repeat four times

Notice

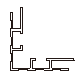
- About **Step C**, note that the profile view of **7** and **8** (the diagram on the right) shows the exact placement of **8**. Note that the groove of **8** faces upward.
- About **Step C**, the **F4 Screw** goes into the groove of **7** that faces either side wall of the greenhouse, **groove a**. After Both the screws on both ends of **8** go into the grooves, fasten the nuts.

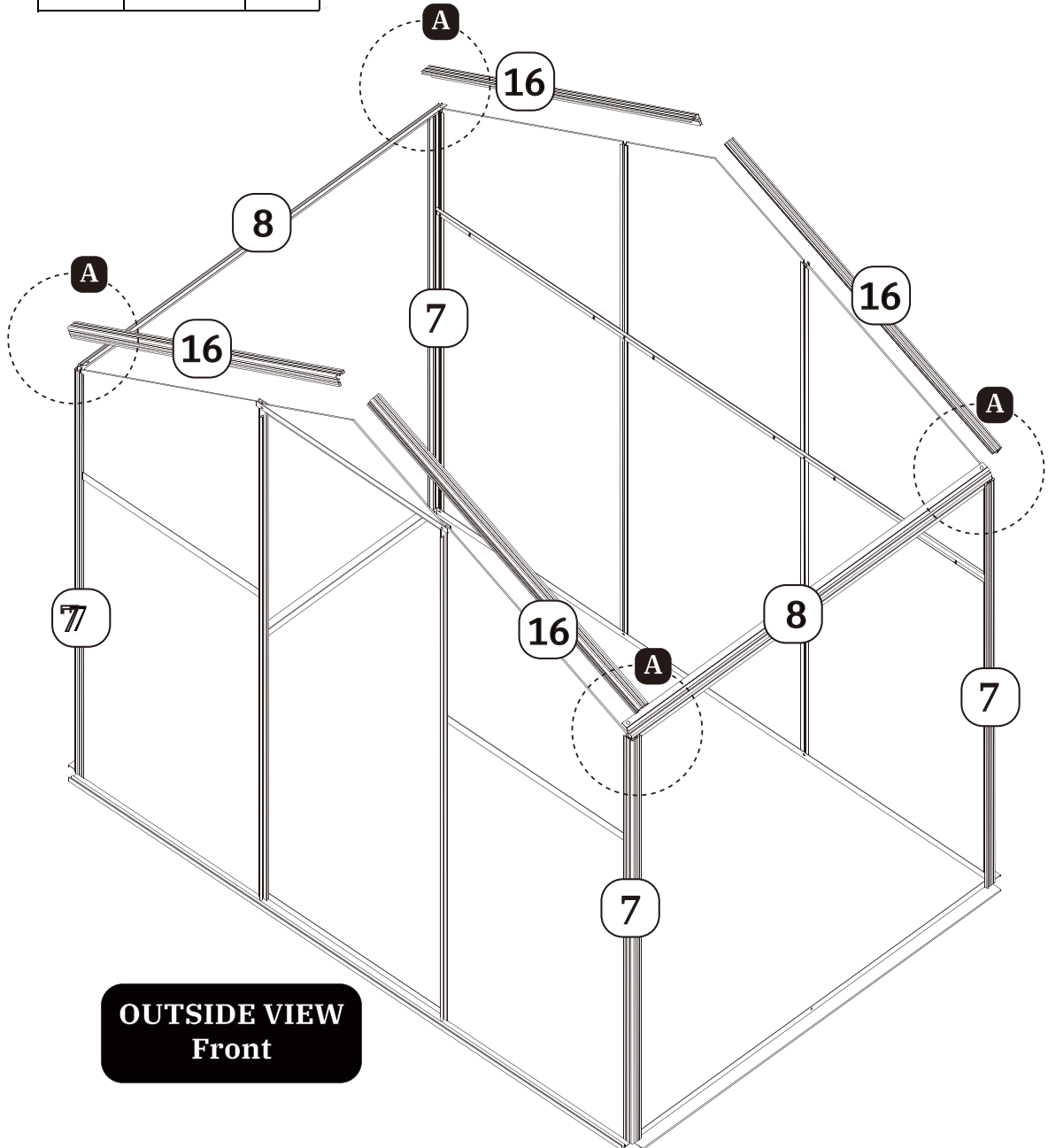
Top View

Side

Door

6. Assembling of Roof Frames Continued

Part No.	Part	Qty.
16		4

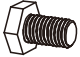


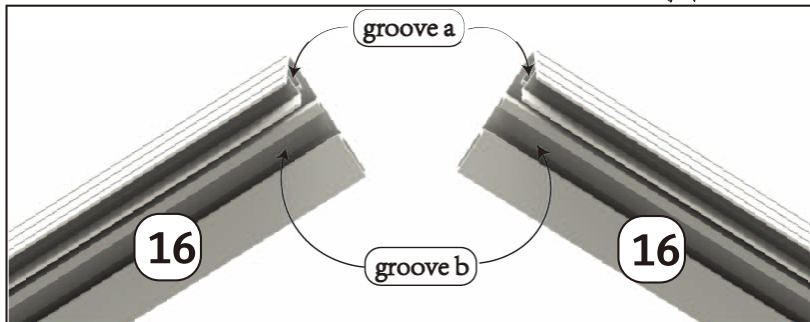
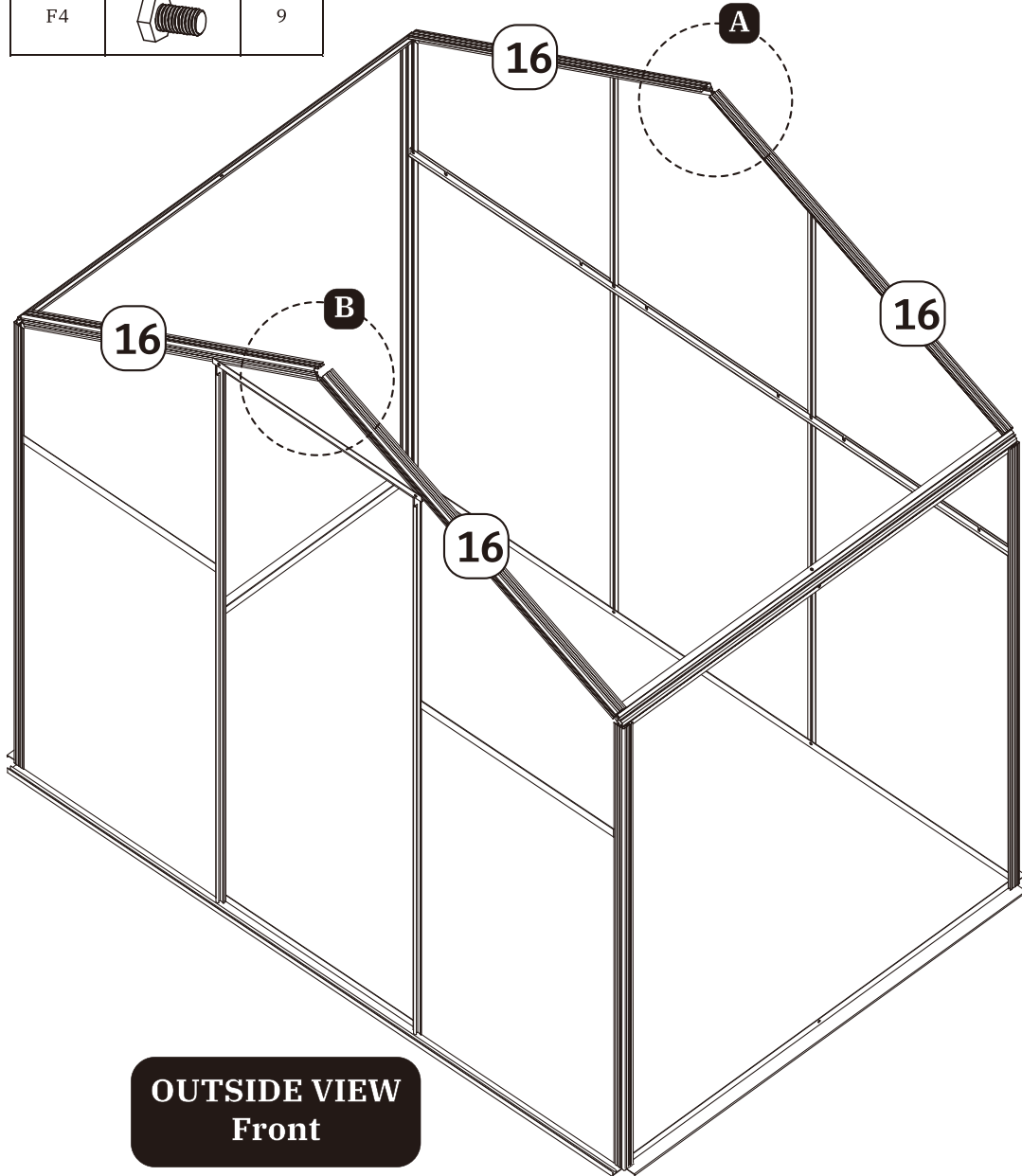
OUTSIDE VIEW
Front

6. Assembling of Roof Frames Continued

<div style="border: 1px solid black; padding: 5px;"> <p>A-1</p> <p style="text-align: right;">INSIDE VIEW</p> </div>	<div style="border: 1px solid black; padding: 5px;"> <p>A-2</p> <p style="text-align: right;">Fasten the nut</p> <p style="text-align: right;">INSIDE VIEW</p> </div>
<div style="border: 1px solid black; padding: 5px;"> <p>A-3</p> <p style="text-align: center;">OUTSIDE PROFILE VIEW</p> </div>	<p>Notice:</p> <ol style="list-style-type: none"> 1. Repeat Step A four times. 2. Notice that 16, like 7, has two grooves for bolts. The groove of 16 where the bolt of 8 goes into is the upper groove, groove a. 3. Note that Bolt and Nut set F4a in Step A-1 was one of the bolts pre-inserted into the holes of 8 in previous steps.
<div style="border: 1px solid black; padding: 5px;"> <p style="text-align: center;">INSIDE VIEW</p> </div>	<ol style="list-style-type: none"> 4. About Step A-1, It illustrates how to let the head of F4a go into 16's groove a. You may also choose not to unscrew the nut of bolt F4a and let the bolt's head go into groove a of 16 directly.

6. Assembling of Roof Frames Continued

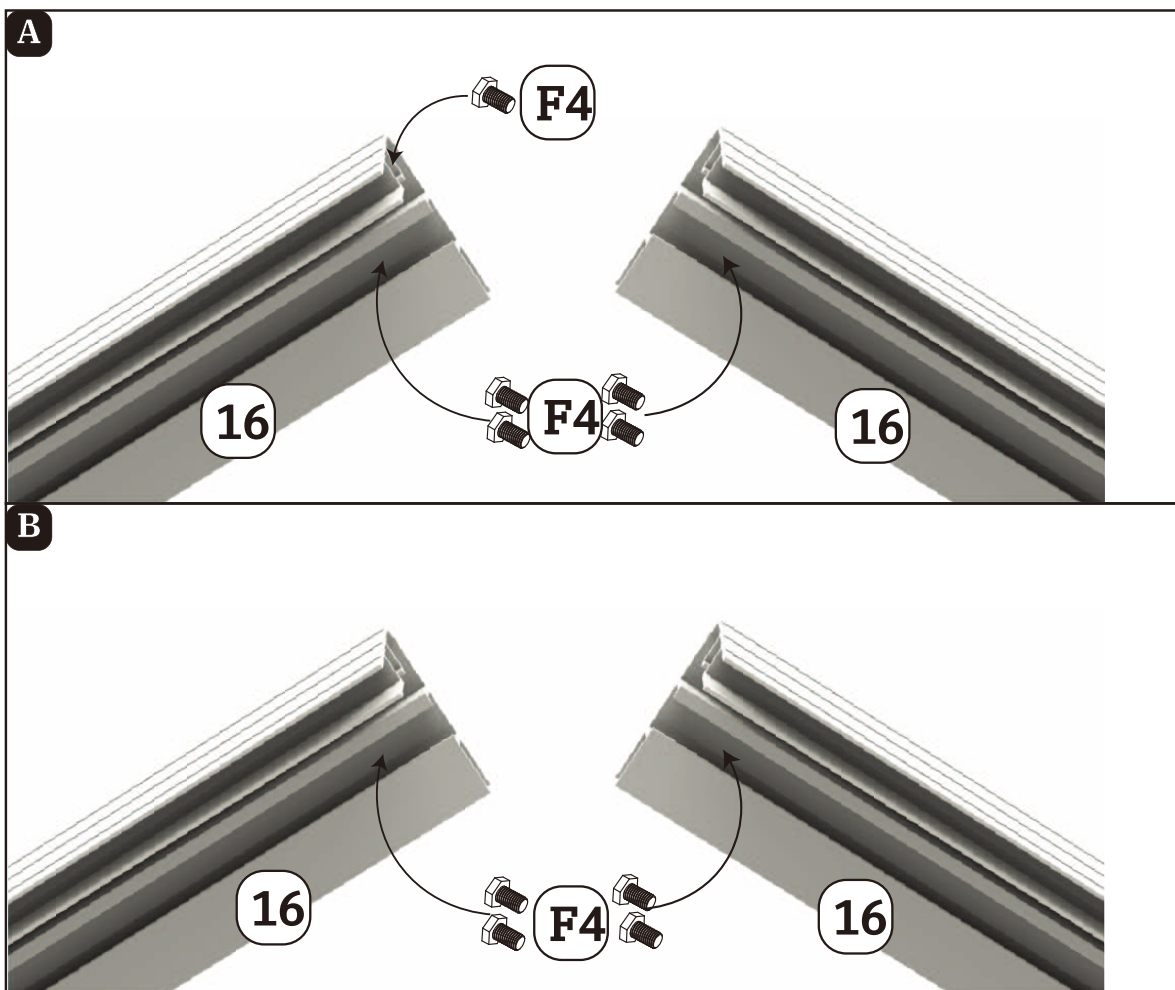
Part No.	Part	Qty.
F4		9



Notice

Note that **16** has two grooves, **groove a** on the upper side, and **groove b** on the lower side.





6. Assembling of Roof Frames Continued

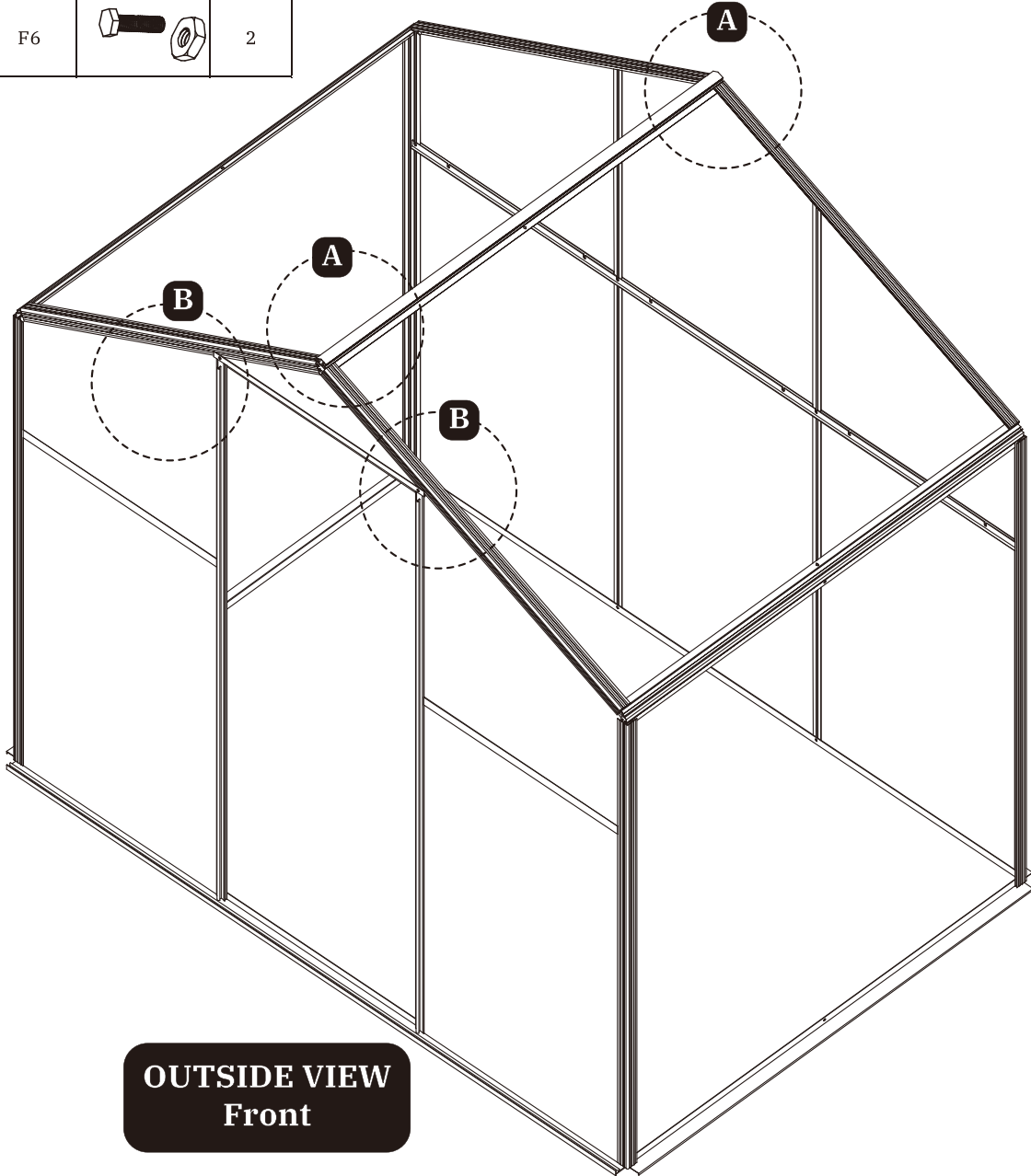


Notice

1. Note that the numbers of **F4** bolts inserted into grooves of **16** in **Step A** and **Step B** are different.
2. Only insert the bolt. Do not screw the nut.

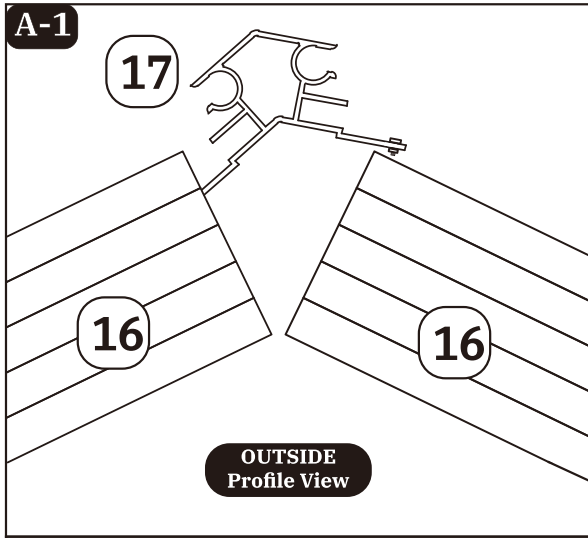
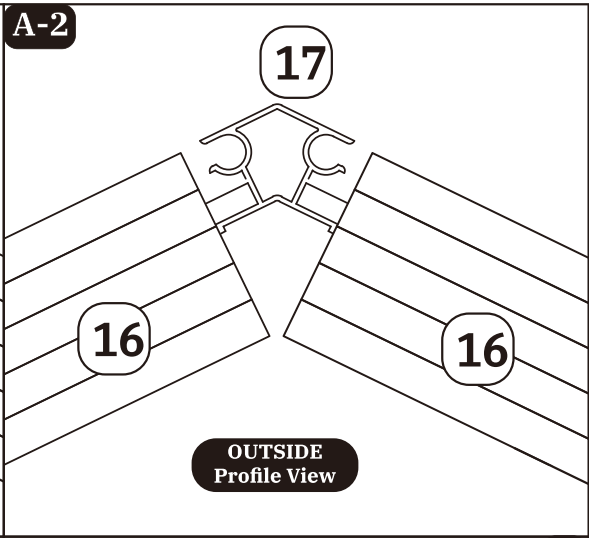
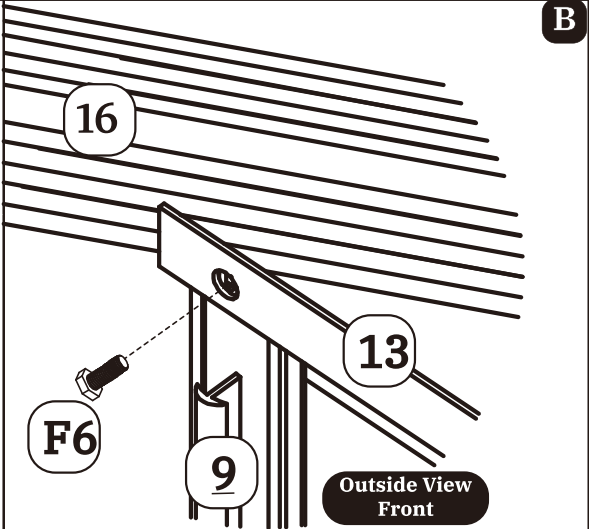
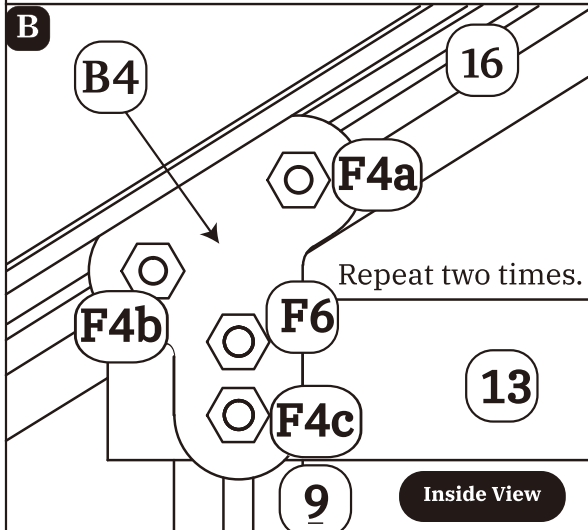
7. Securing of Frames

Part No.	Part	Qty.
17		1
B4		2
F4		6
F6		2



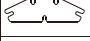






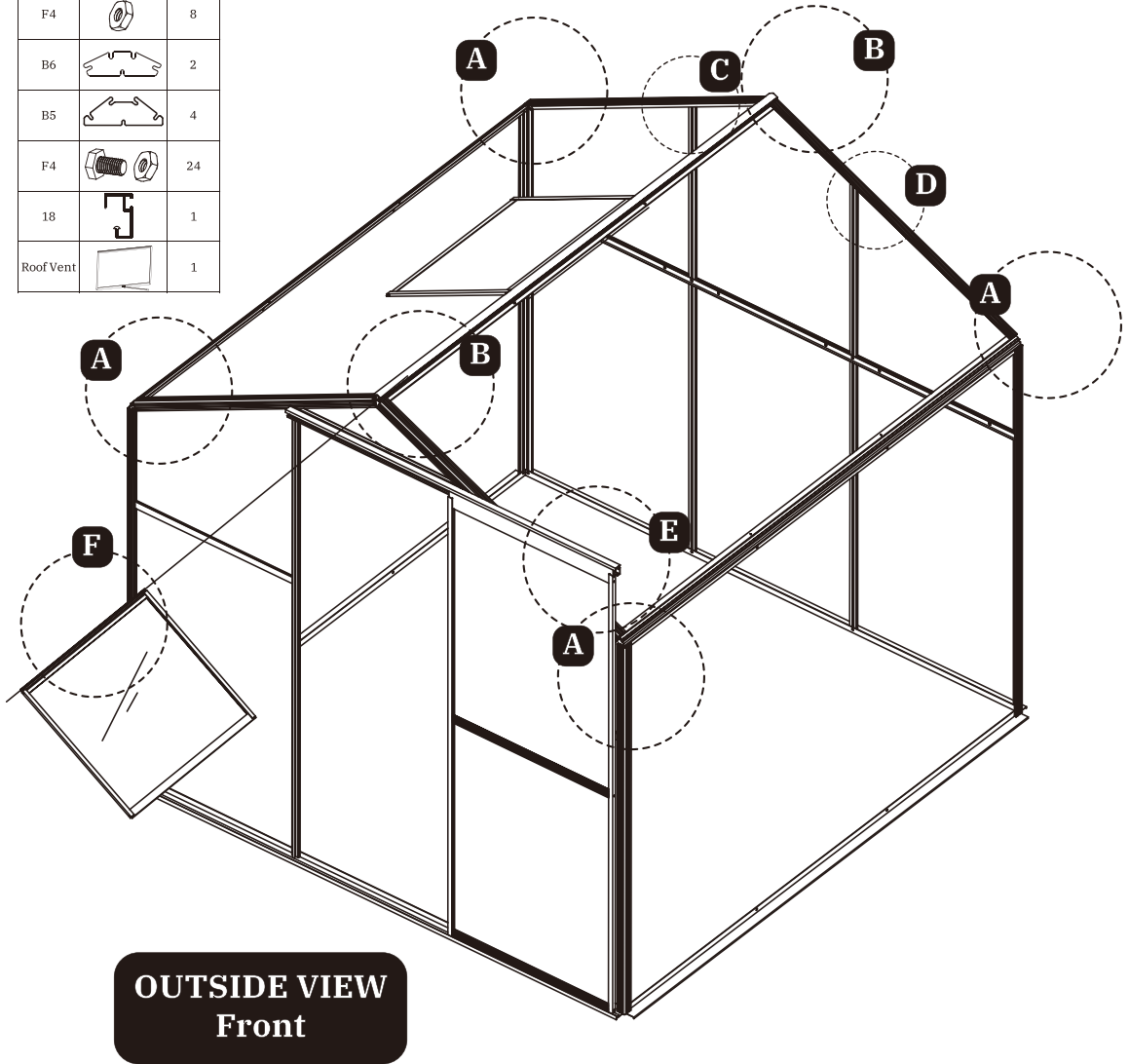
OUTSIDE VIEW
Front

7. Securing of Frames Continued

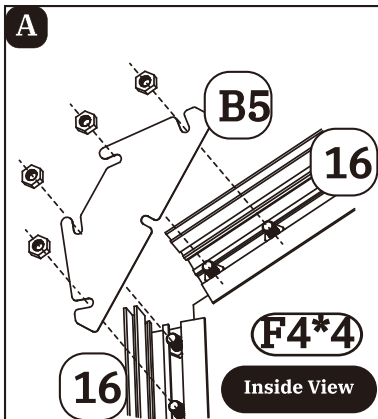
<p>A-1</p>  <p style="text-align: center;">OUTSIDE Profile View</p>	<p>A-2</p>  <p style="text-align: center;">OUTSIDE Profile View</p>
<p>A-1 A-2</p> <p>Slide 17 into 16. The pre-inserted bolt F4 on 17 goes into the upper groove of each 16.</p> <p>Repeat two times, till the four Bolt F4 on both ends of 17 go into the four upper grooves of 16. Fasten the Nuts.</p>	<p>B</p>  <p style="text-align: center;">Outside View Front</p>
<p>B</p>  <p style="text-align: center;">Inside View</p> <p style="text-align: center;">Repeat two times.</p>	<p>Notice</p> <p>About Step B, note that three Bolt F4 will be used. F4a and F4b were inserted into the lower groove(groove b) of 16 in previous step. F4c was the one connecting 13 and 9 together in previous step. After all three F4 are attached to B4, fasten their nuts. Do not fasten F6's Nut.</p>

7. Securing of Frames Continued

Part No.	Part	Qty.
B4		2
F4		8
B6		2
B5		4
F4		24
18		1
Roof Vent		1



OUTSIDE VIEW
Front

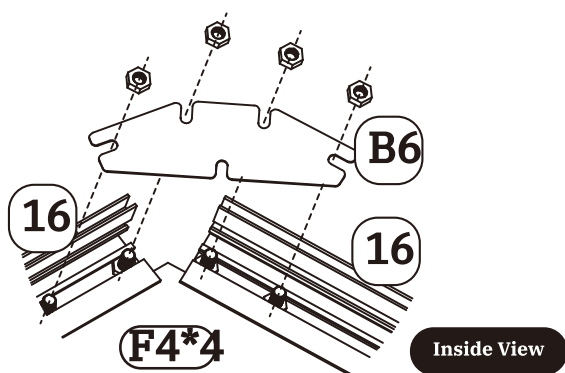
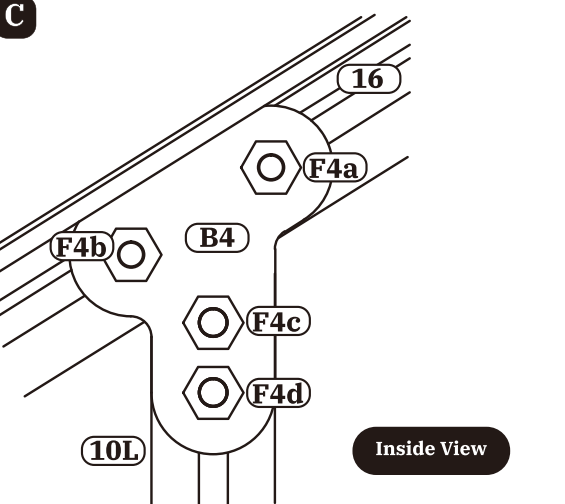
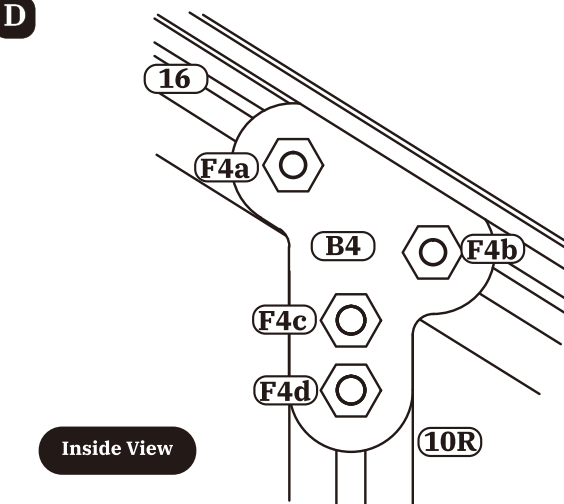
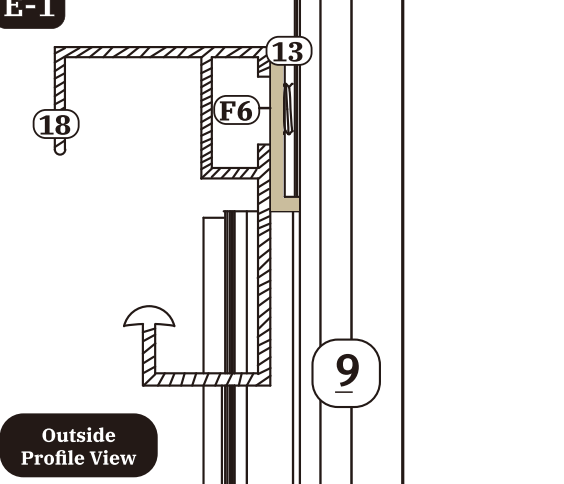


Notice

1. Four **Bolt F4** will be used in **step A**. They are inserted into the lower groove of **16** in this very step.
2. Note how **B5** and the bolts are connected.
3. Fasten the nuts
4. Repeat four times.

8 is rendered invisible in this diagram for better visibility..

7. Securing of Frames Continued

<div style="display: flex; align-items: center;"> <div style="border: 1px solid black; border-radius: 50%; width: 20px; height: 20px; display: flex; align-items: center; justify-content: center; margin-right: 5px;">B</div>  </div> <p style="text-align: center; margin-top: 10px;">Inside View</p>	<p>Notice</p> <ol style="list-style-type: none"> 1. Four Bolt F4 will be used in step B. They are inserted into the lower groove of 16 in this very step. 2. Note how B6 and the bolts are connected. 3. Fasten the nuts 4. Repeat two times. <p>17 is rendered invisible in this diagram for better visibility..</p>
<div style="display: flex; align-items: center;"> <div style="border: 1px solid black; border-radius: 50%; width: 20px; height: 20px; display: flex; align-items: center; justify-content: center; margin-right: 5px;">C</div>  </div> <p style="text-align: center; margin-top: 10px;">Inside View</p>	<div style="display: flex; align-items: center;"> <div style="border: 1px solid black; border-radius: 50%; width: 20px; height: 20px; display: flex; align-items: center; justify-content: center; margin-right: 5px;">D</div>  </div> <p style="text-align: center; margin-top: 10px;">Inside View</p>
<p>Notice</p> <ol style="list-style-type: none"> 1. In step C and D, each step utilizes 4 Bolt F4. F4a and F4b were inserted into the upper groove of 16 in previous steps. F4c and F4d were inserted into the groove of 10L or 10R. 	<div style="display: flex; align-items: center;"> <div style="border: 1px solid black; border-radius: 50%; width: 20px; height: 20px; display: flex; align-items: center; justify-content: center; margin-right: 5px;">E-1</div>  </div> <p style="text-align: center; margin-top: 10px;">Outside Profile View</p>

7. Securing of Frames Continued

E-2

Notice

Step E-1
Slide **18** into the position shown in E-1. The head of **Bolt F6** should go into the groove of **18**. Fasten the Nuts of both **F6**.

Step E-2
Slide the **door** into the position shown in E-2. The casters on the back of the door should rest on the bulging part of **18**.

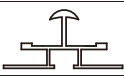
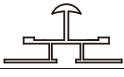

F

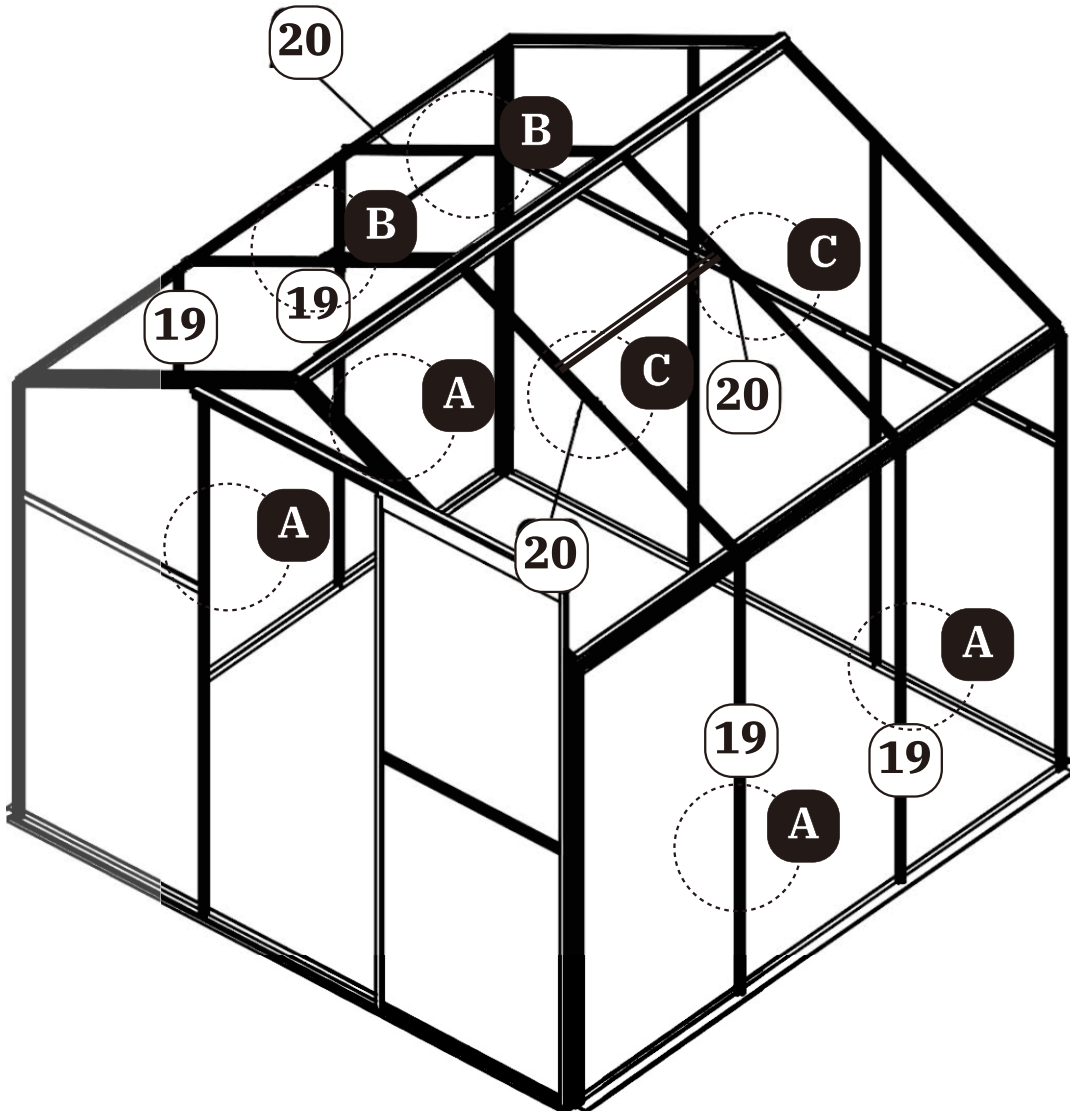
Outside View Front

Notice
About Step F, slide the **roof vent** into the **left track** of 17.

Outside Front Profile



8. Assembling of Middle Frame

Part No.	Part	Qty.
19		4
20		4
F4		8

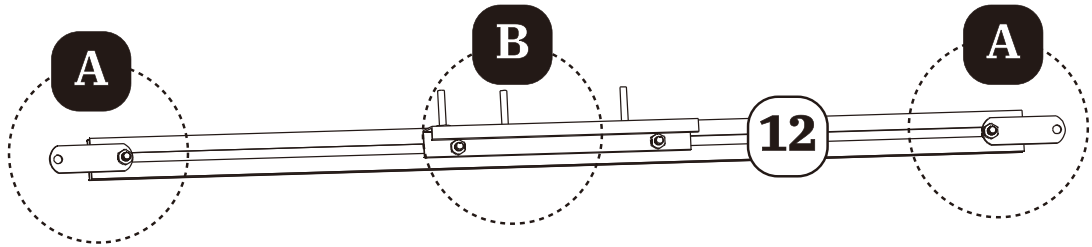






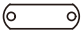


OUTSIDE VIEW
Front(Door)

8. Assembling of Middle Frame Continued

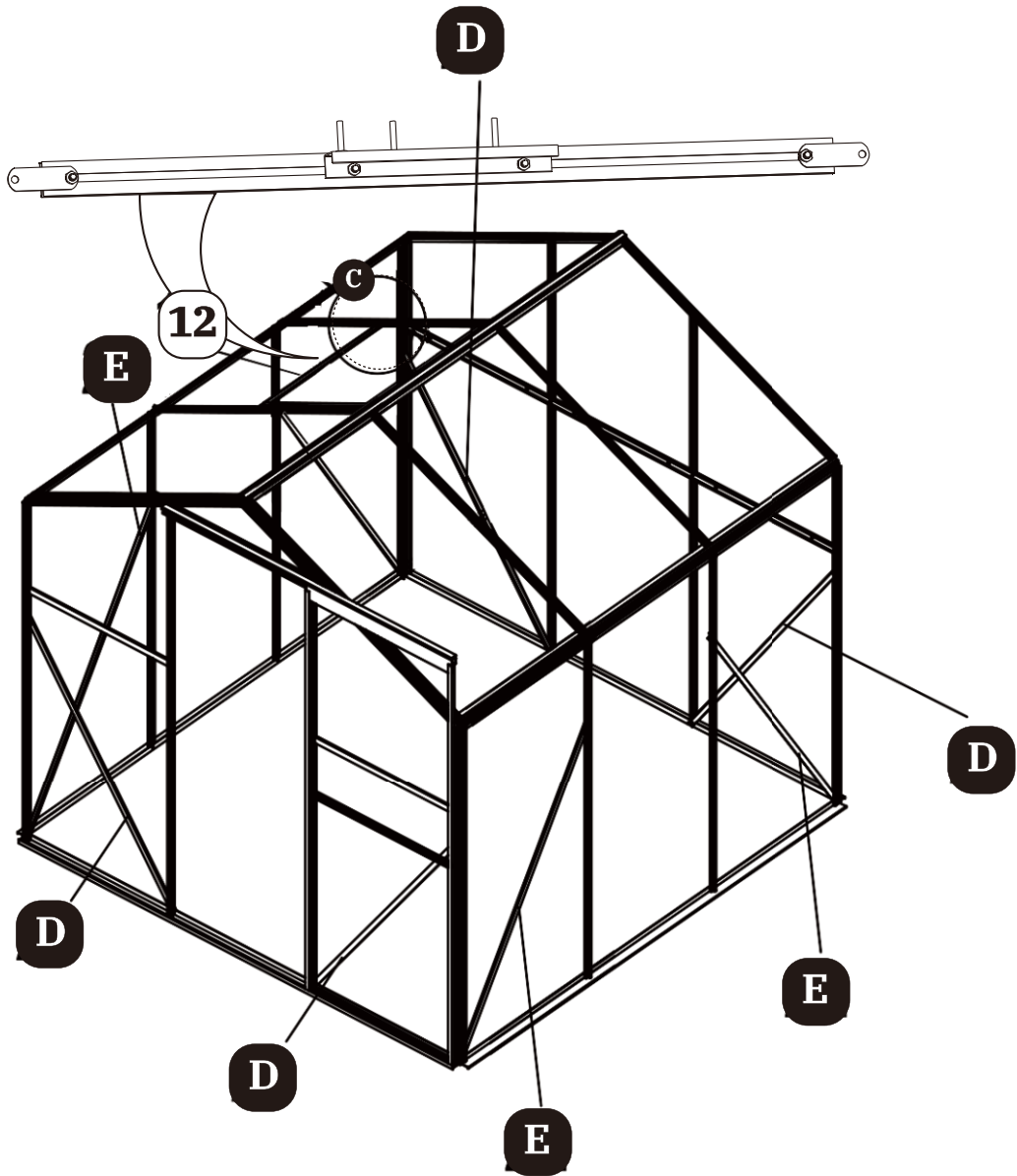
<p>A-1</p> <p>Slide 19 to the position shown on previous page. The head of the Bolt F4 on 8 and 4 should go into the groove of 19.</p>	<p>A-2</p> <p>Before the head of the Bolt F4 on 4 goes into the groove of 19, Insert a Bolt F4 into the groove of 19 from the lower end.</p> <p>Fasten the Bolt F4 on 8 and 4 with nuts.</p> <p>Now there should be a Bolt F4 free to move inside the groove of 19.</p>  <p style="text-align: center;">INSIDE VIEW</p>
<p>B-1</p> <p>Slide 20 to the position shown on previous page. The head of the Bolt F4 on 8 and 17 should go into the groove of 20.</p>	<p>B-2</p> <p>Before the head of the Bolt F4 on 8 goes into the groove of 19, Insert a Bolt F4 into the groove of 20 from the lower end.</p> <p>Fasten the Bolt F4 on 8 and 17 with nuts.</p> <p>Now there should be a Bolt F4 free to move inside the groove of 20.</p>  <p style="text-align: center;">INSIDE VIEW</p>
<p>C</p> <p>Slide 20 to the position shown on previous page. The head of the Bolt F4 on 8 and 17 should go into the groove of 20.</p> <p>Fasten the Bolt F4 on 8 and 17 with nuts.</p> <p>Do not insert Bolt in Step C.</p>	

9. Assembling of Roof Vent Holder



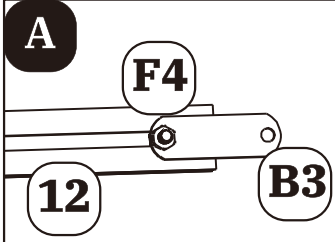
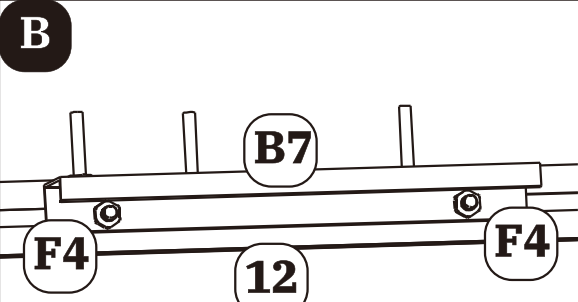
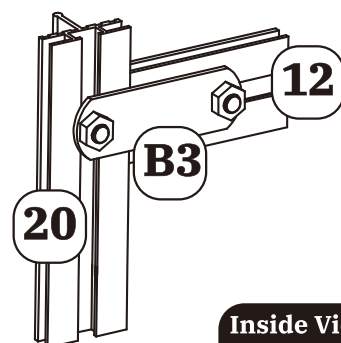
Part No.	Part	Qty.
12		1
B7		1
22		4
23		4
B3		2
F4		4
F4		6

9. Assembling of Roof Vent Holder Continued

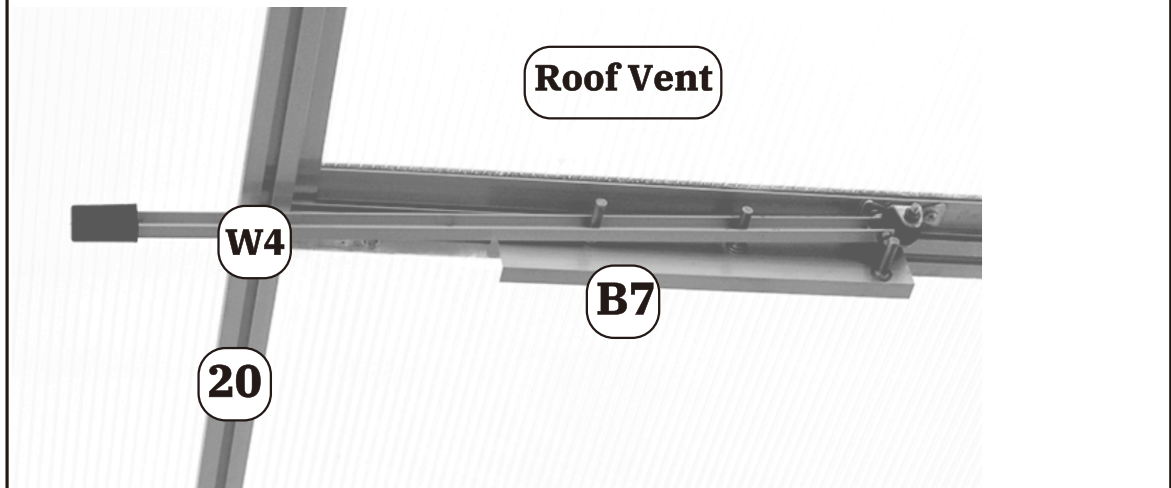


**OUTSIDE VIEW
FRONT**

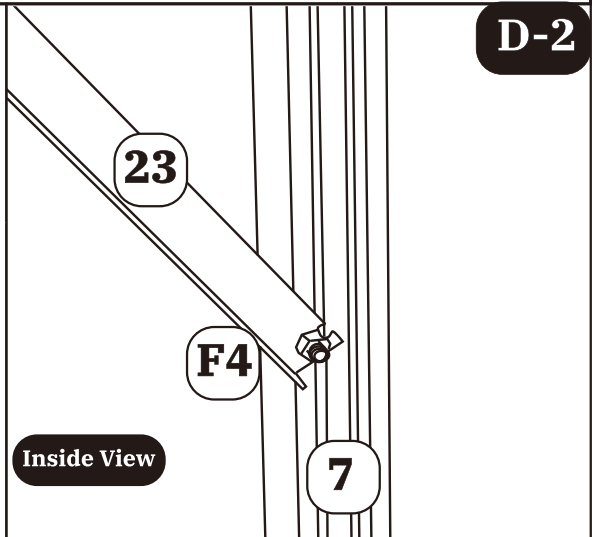
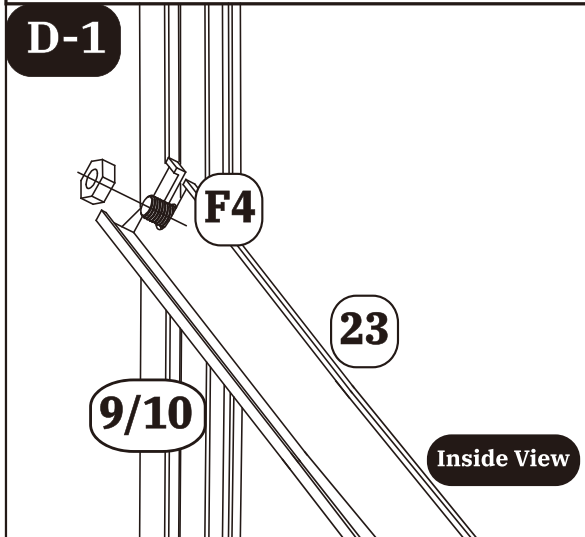
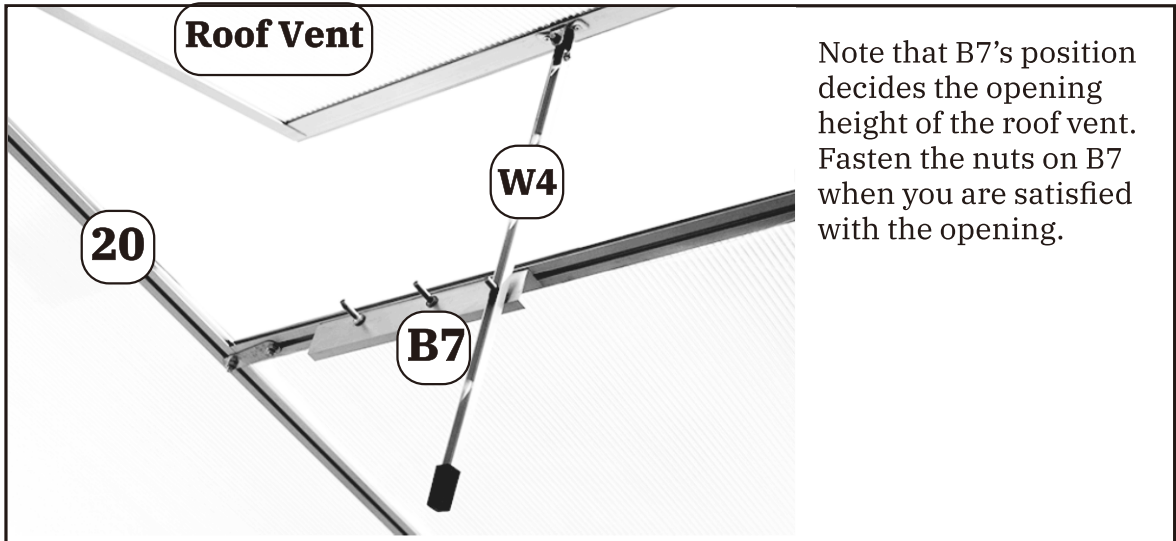
9. Assembling of Roof Vent Holder Continued

<div style="display: flex; align-items: center;"> <div style="background-color: black; color: white; border-radius: 50%; width: 30px; height: 30px; display: flex; align-items: center; justify-content: center; margin-right: 10px;">A</div>  </div> <p style="margin-top: 10px;">Screw on the nut of Bolt F4 but do not fasten it.</p>	<div style="display: flex; align-items: center;"> <div style="background-color: black; color: white; border-radius: 50%; width: 30px; height: 30px; display: flex; align-items: center; justify-content: center; margin-right: 10px;">B</div>  </div> <p style="margin-top: 10px;">Screw on the nuts of Bolt F4 but do not fasten them. Note that at this step, the orientation of B7 does not matter.</p>
<div style="display: flex; align-items: center;"> <div style="background-color: black; color: white; border-radius: 50%; width: 30px; height: 30px; display: flex; align-items: center; justify-content: center; margin-right: 10px;">C-1</div> </div> <p>Place the newly assembled 12 next to the roof vent. Note that the three pointers of B7 must face toward the ridge.</p> <p>Locate two previously inserted F4 Bolts, one in the groove of 20.</p> <p>Adjust the position of two B3 assembled to 12 in Step A to a position so that the two F4 Bolts found in Step C-1 go through the holes of B3.</p>	<div style="display: flex; align-items: center;"> <div style="background-color: black; color: white; border-radius: 50%; width: 30px; height: 30px; display: flex; align-items: center; justify-content: center; margin-right: 10px;">C-2</div> </div> <p>Fasten the four F4 Bolts on two B3 with nuts.</p> <div style="text-align: right; margin-top: 20px;">  <div style="background-color: black; color: white; border-radius: 10px; padding: 5px; display: inline-block; margin-top: 10px;"> Inside View Upwards </div> </div>

How to use the Roof Vent-1



9. Assembling of Roof Vent Holder Continued

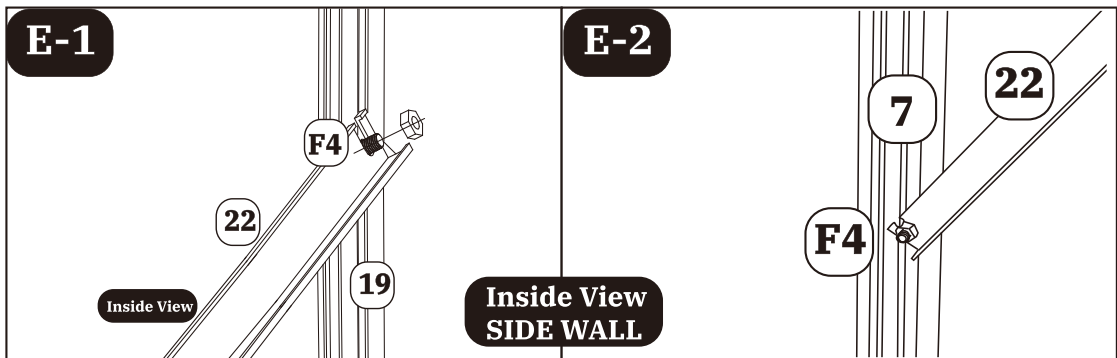
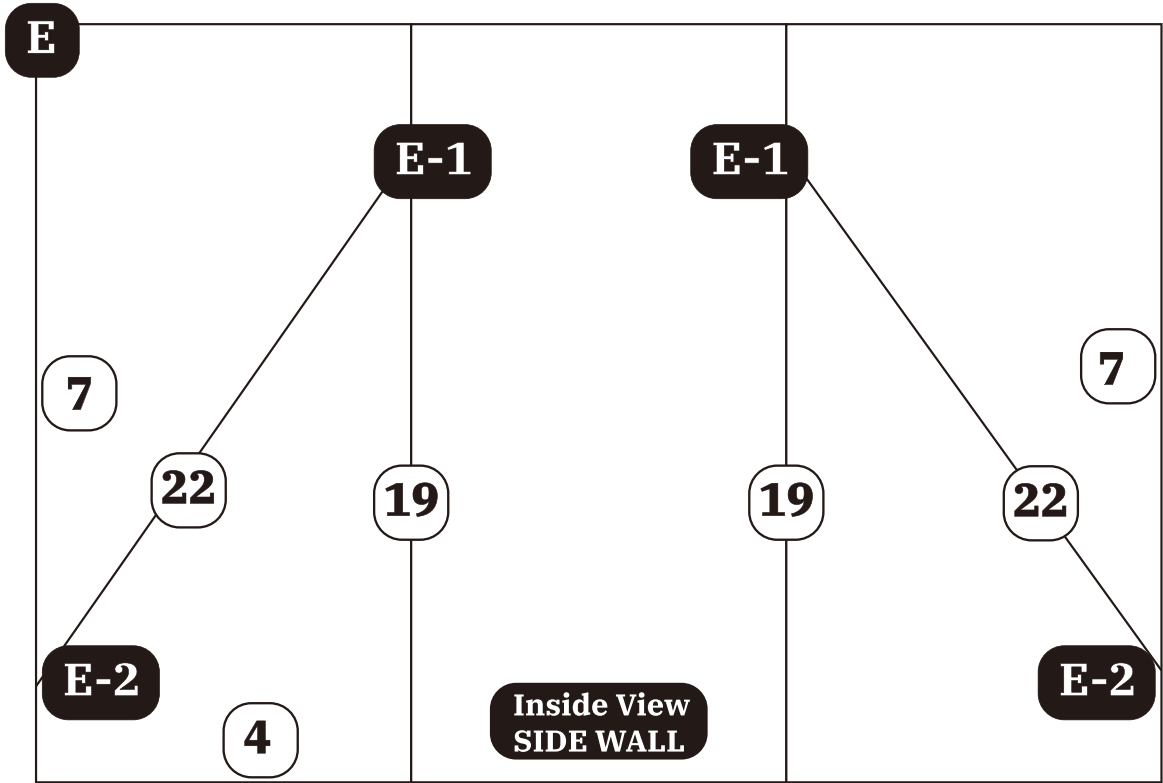


Step D-1 and D-2

This step utilizes two previously inserted **F4 Bolts** , one in the groove of **9**(or **10L/10R** for the backwall), the other in the groove of **7**.

Slide these two bolts to the position shown on the diagrams above and place **23** under the bolts. Fasten the nuts.

10. Assembling of Side Braces



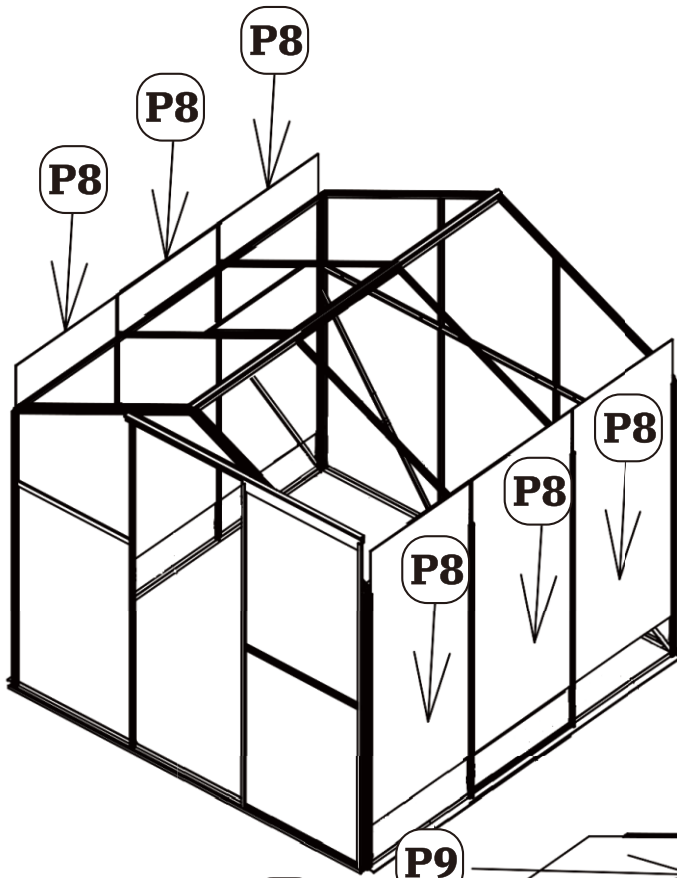
10. Assembling of Side Braces Continued

Step E-1 and E-2

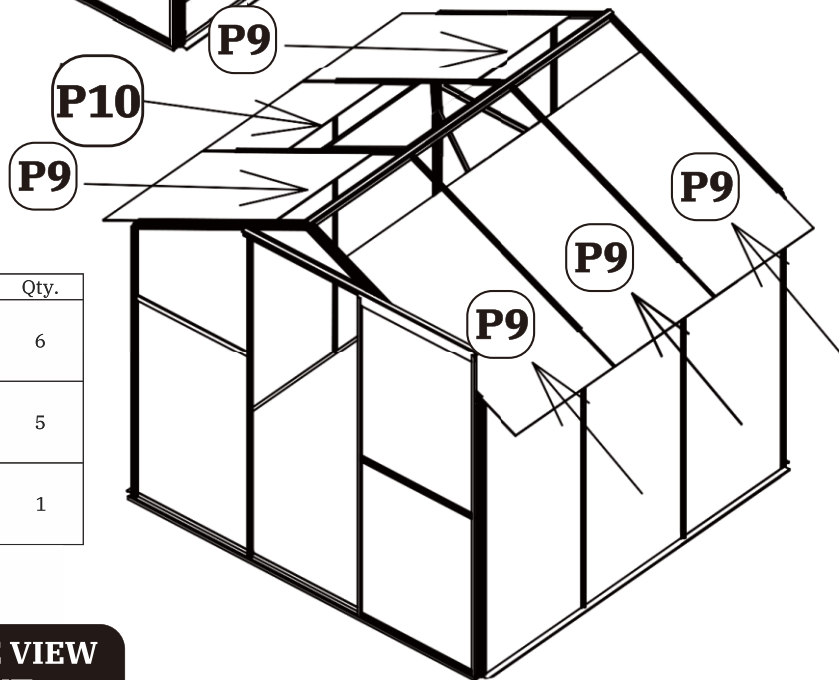
This step utilizes two previously inserted **F4 Bolts**, one in the groove of **19** the other in the groove of **7**.

Slide these two bolts to the position shown on the diagrams on previous page and place **22** under the bolts. Fasten the nuts.

11. Assembling of Panels



- A**
Insert Panel **P8**.
- B**
Insert Panel **P9**.
- C**
Insert Panel **P10**.

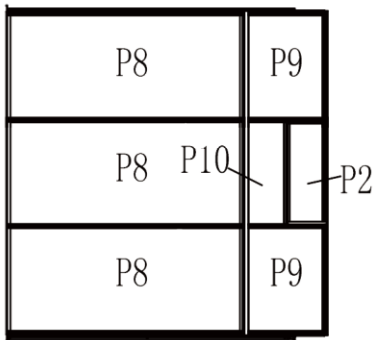
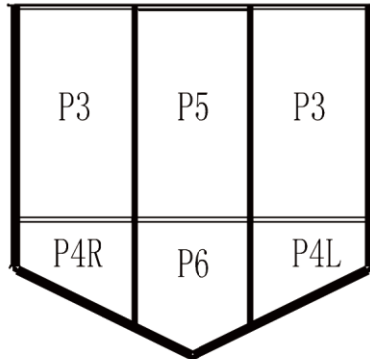


Part No.	Part	Qty.
P8		6
P9		5
P10		1

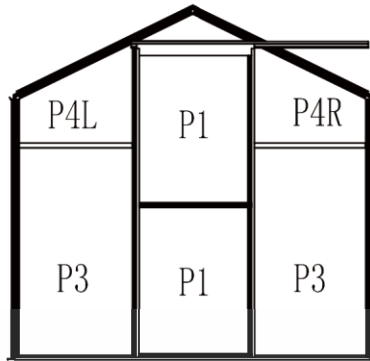
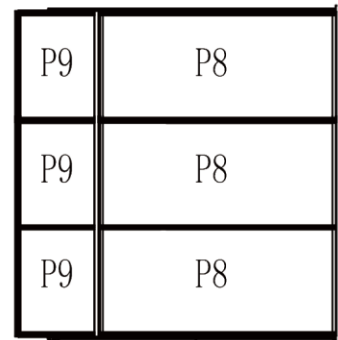
**OUTSIDE VIEW
FRONT**

Polycarbonate Panel Layout

Back








Left

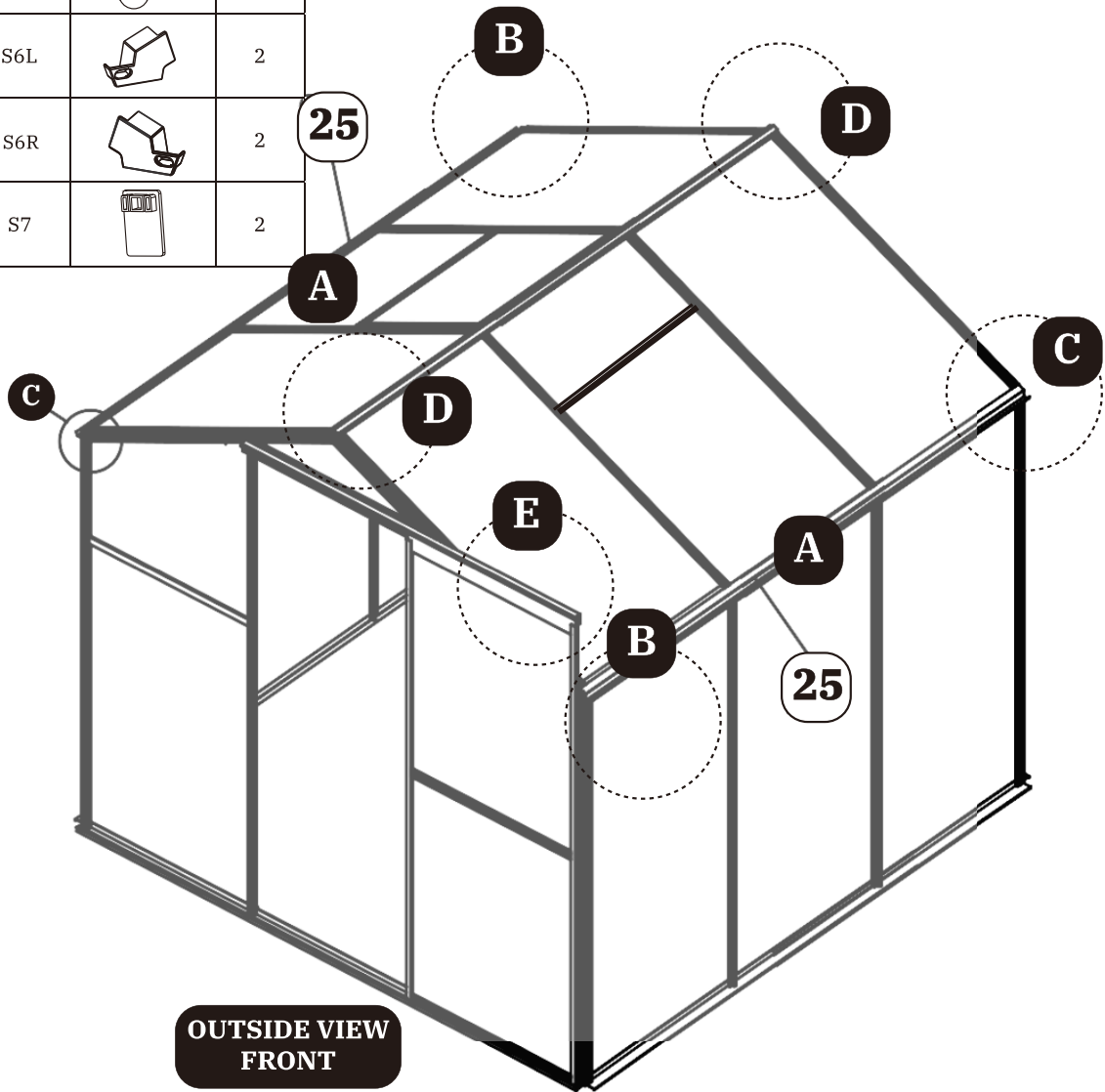


Front

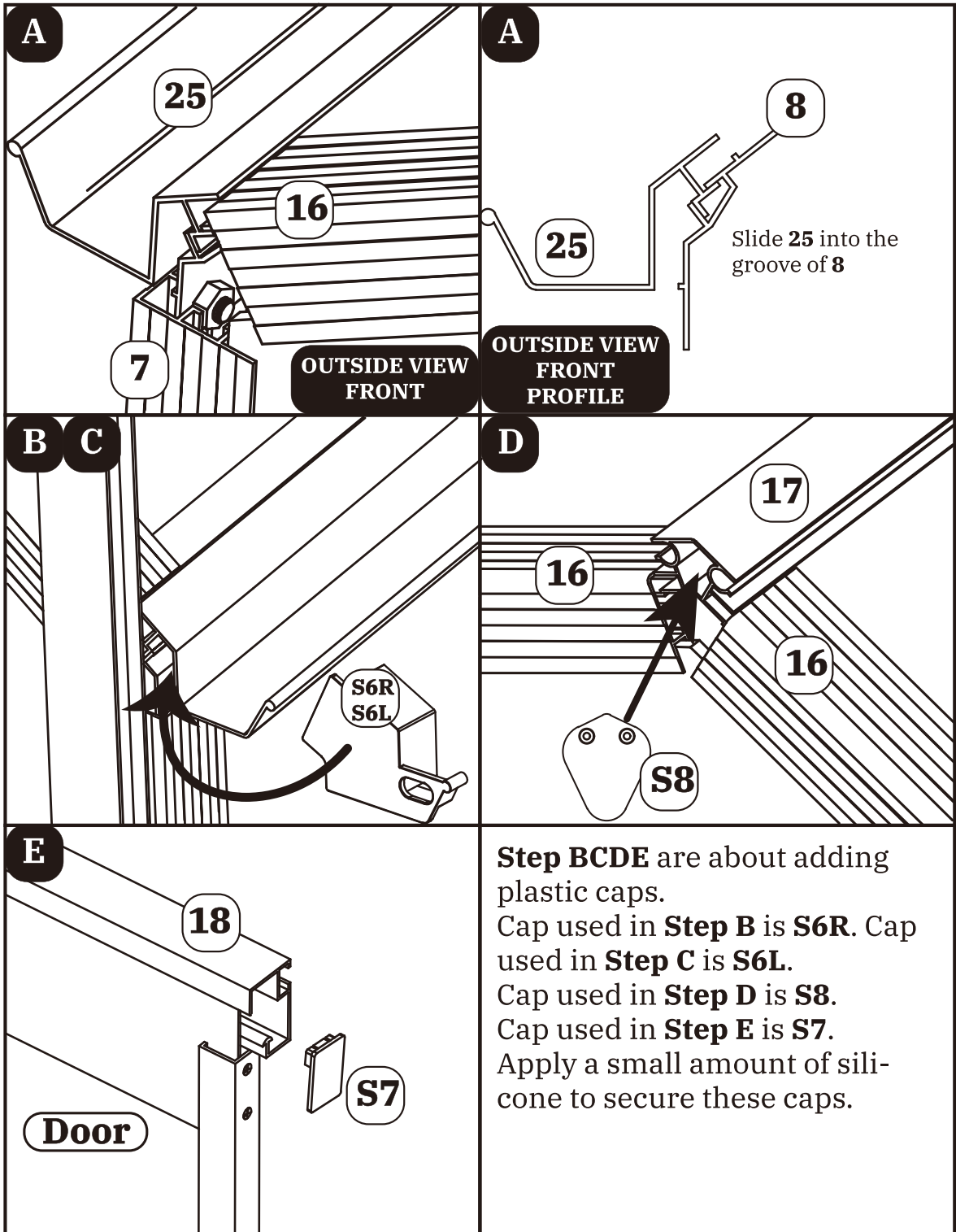
OUTSIDE VIEW

12. Assembling of Gutters and Caps

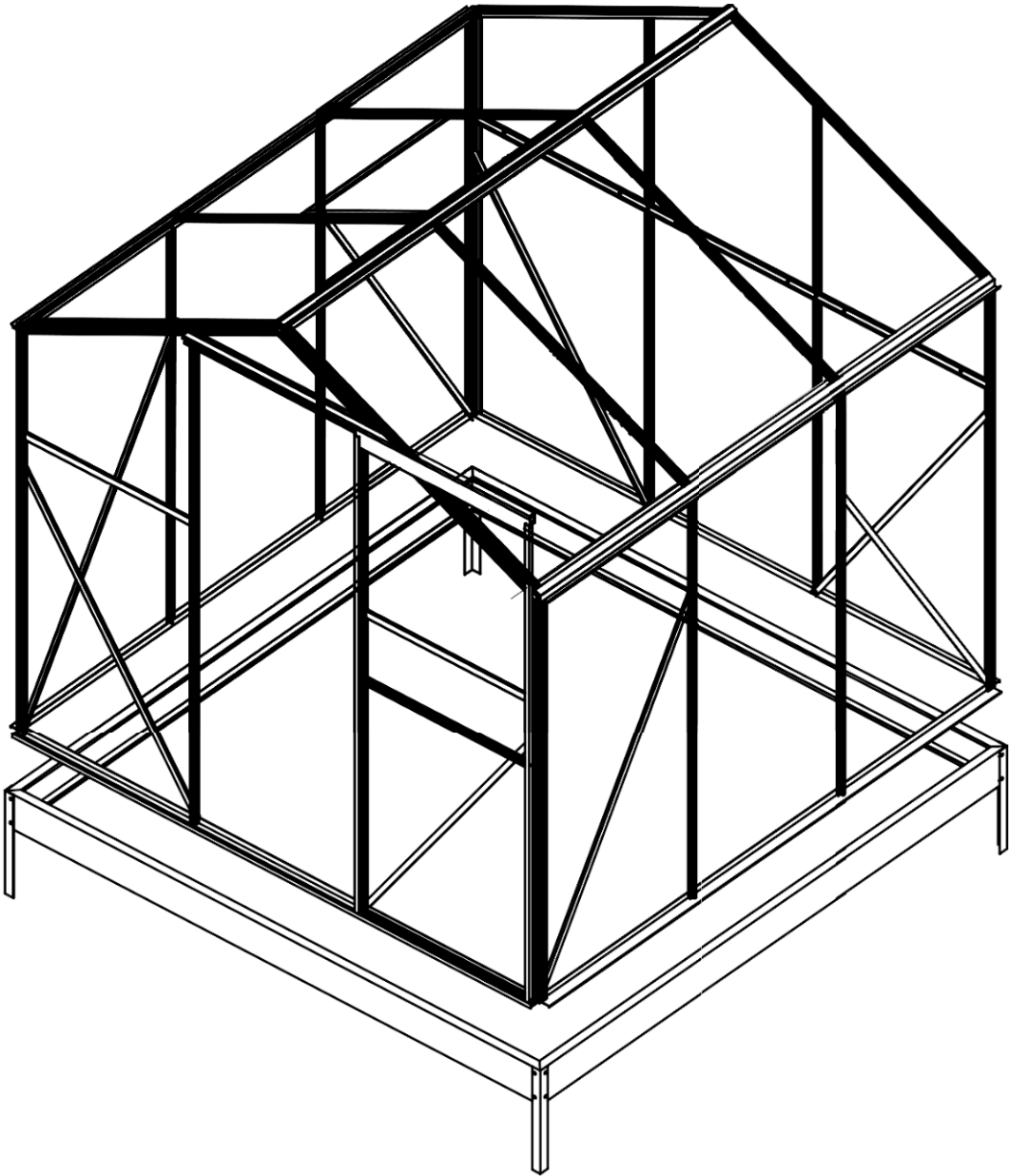
Part No.	Part	Qty.
25		2
S5		2
S6L		2
S6R		2
S7		2




12. Assembling of Gutters and Caps Continued

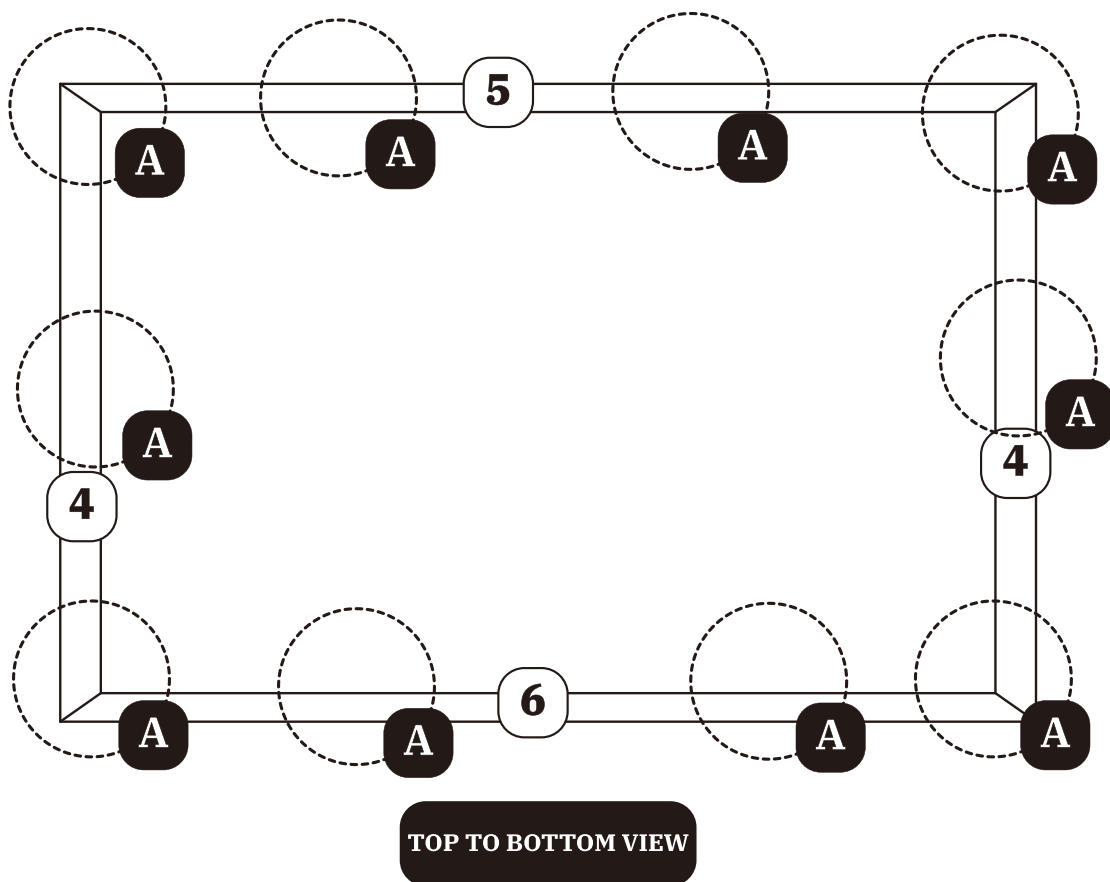


Securing the greenhouse to the prefabricated Base



Part No.	Part	Qty.
B2		16

Securing the greenhouse to the prefabricated Base Continued



A

Get inside the greenhouse and locate all the **F4 Bolts** on **4**, **5**, and **6**.

Unscrew the nuts.

Attach **B2** to the bolt, fasten the nut to secure the greenhouse to the base.

There are 16 **F4 Bolts**.

