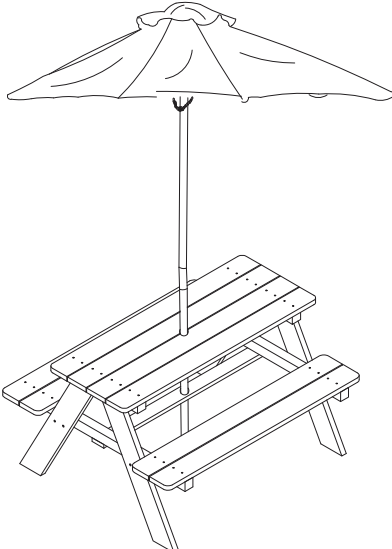
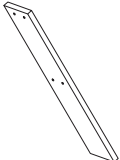
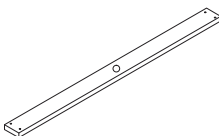

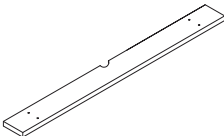
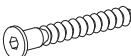
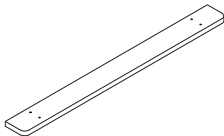
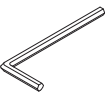
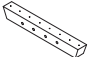
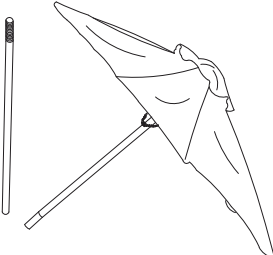
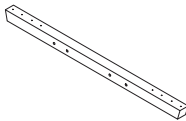


USER'S MANUAL

Children picnic table

PRODUCT ASSEMBLY

			5		4pcs
			6		1pc
			A	 3.5*40mm	36pcs
1		2pcs	B	 6*45mm	16pcs
2		6pcs	C		1pc
3		2pcs	D		1pc
4		2pcs			

