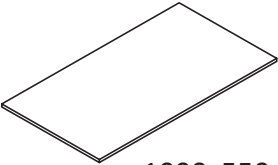
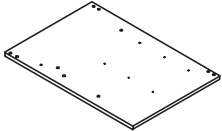
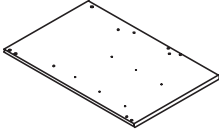
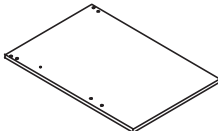
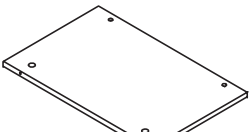
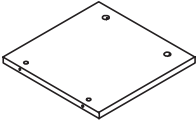
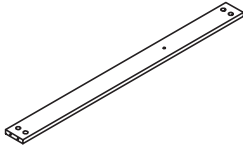
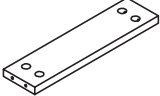
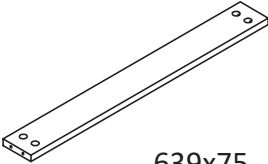
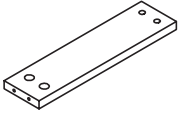
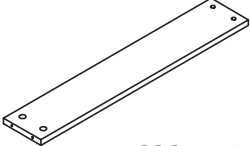
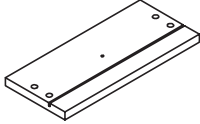
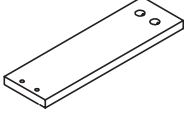
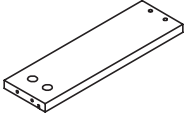
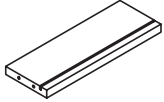
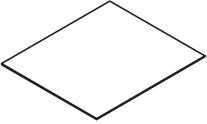




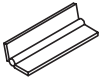
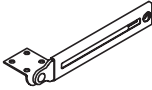

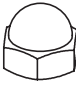



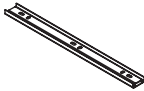
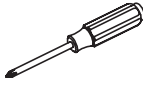
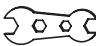
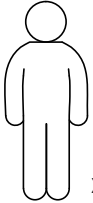
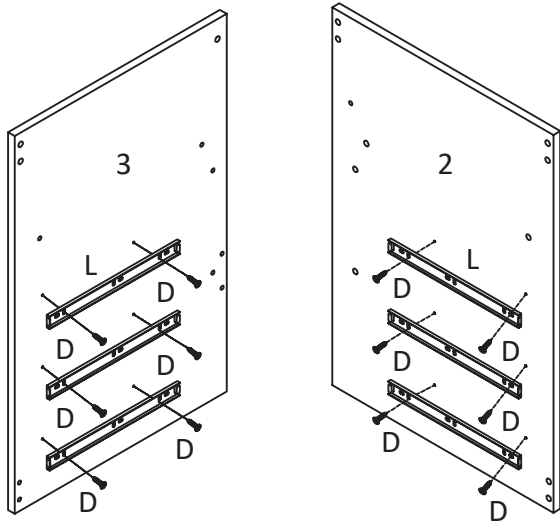
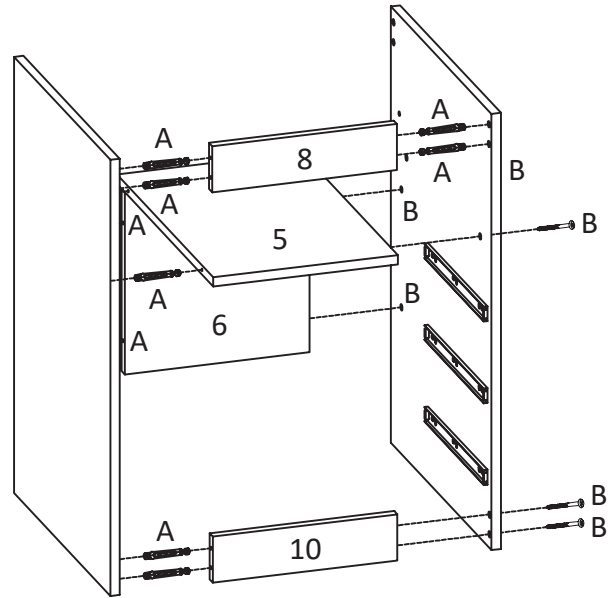


1 1pc  $\frac{1000 \times 550}{39.4 \times 21.7}$	2 1pc  $\frac{710 \times 480}{28.0 \times 18.9}$	3 1pc  $\frac{710 \times 460}{28.0 \times 18.1}$	4 1pc  $\frac{710 \times 480}{28.0 \times 18.9}$	5 1pc  $\frac{460 \times 296}{18.1 \times 11.7}$
6 1pc  $\frac{296 \times 296}{11.7 \times 11.7}$	7 1pc  $\frac{950 \times 75}{37.4 \times 3.0}$	8 1pc  $\frac{296 \times 75}{11.7 \times 3.0}$	9 1pc  $\frac{639 \times 75}{25.2 \times 3.0}$	10 1pc  $\frac{296 \times 75}{11.7 \times 3.0}$
11 1pc  $\frac{639 \times 115}{25.2 \times 4.5}$	12 3pcs  $\frac{290 \times 128}{11.4 \times 5.0}$	13 3pcs  $\frac{297 \times 88}{11.7 \times 3.5}$	14 3pcs  $\frac{297 \times 88}{11.7 \times 3.5}$	15 3pcs  $\frac{246 \times 88}{9.7 \times 3.5}$
16 3pcs  $\frac{292 \times 256}{11.5 \times 10.1}$	A 32pcs 	B 9pcs  M5x $\frac{50}{2.0}$	C 12pcs  M4x $\frac{45}{1.8}$	D 40pcs  M3.5x $\frac{14}{0.6}$
E 2pcs 	F 2pcs 	G 2pcs  M6x $\frac{30}{1.2}$	H 2pcs 	I 2pcs 
J 3pcs  M4x $\frac{20}{0.8}$	K 3pcs 	L 6pcs 	 	 $\frac{\text{mm}}{\text{inch}}$ x2

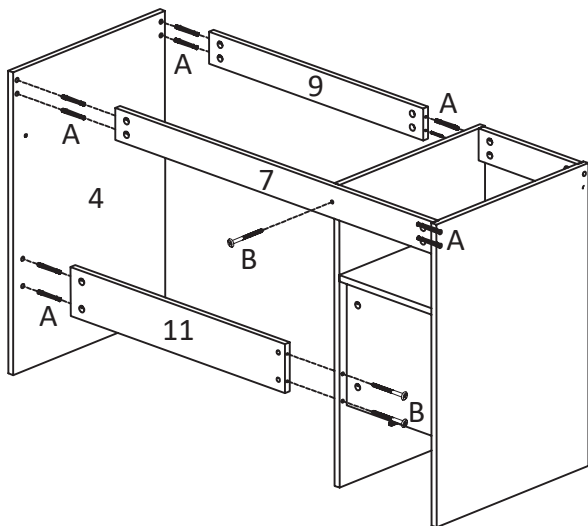
1



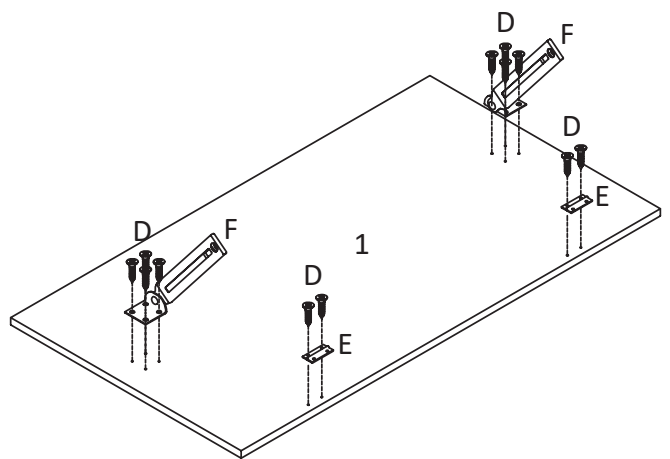
2



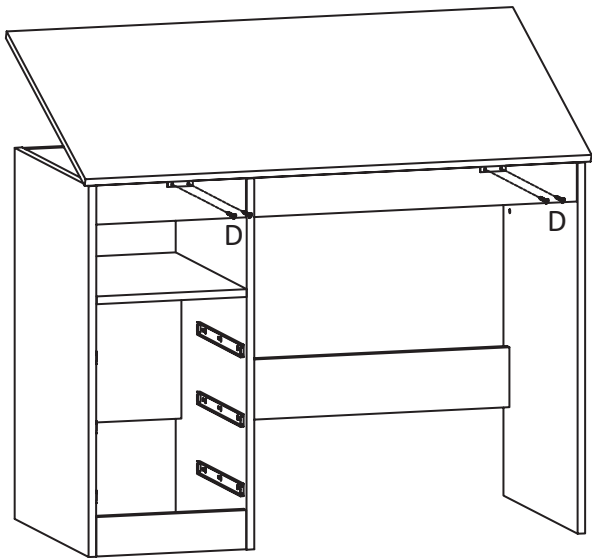
3



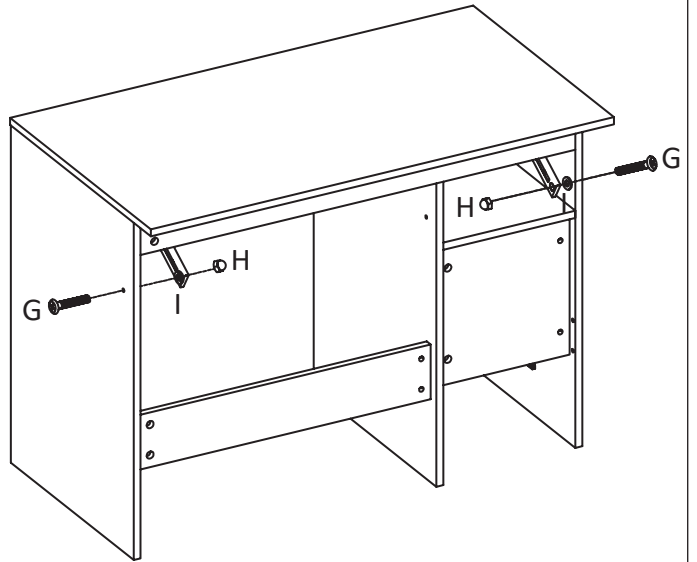
4



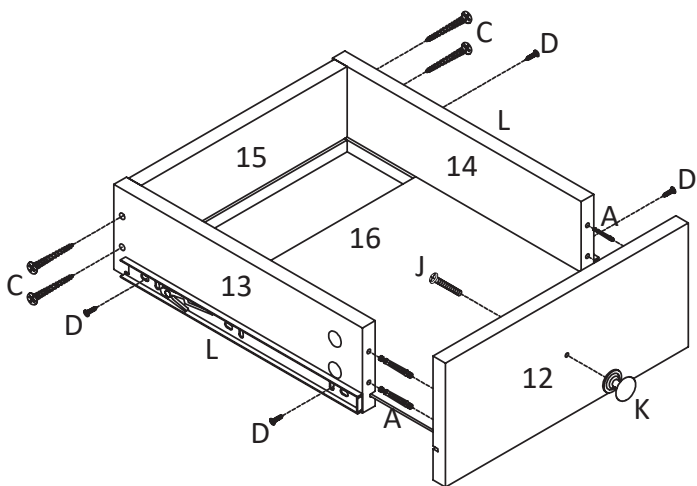
5



6



7



8

