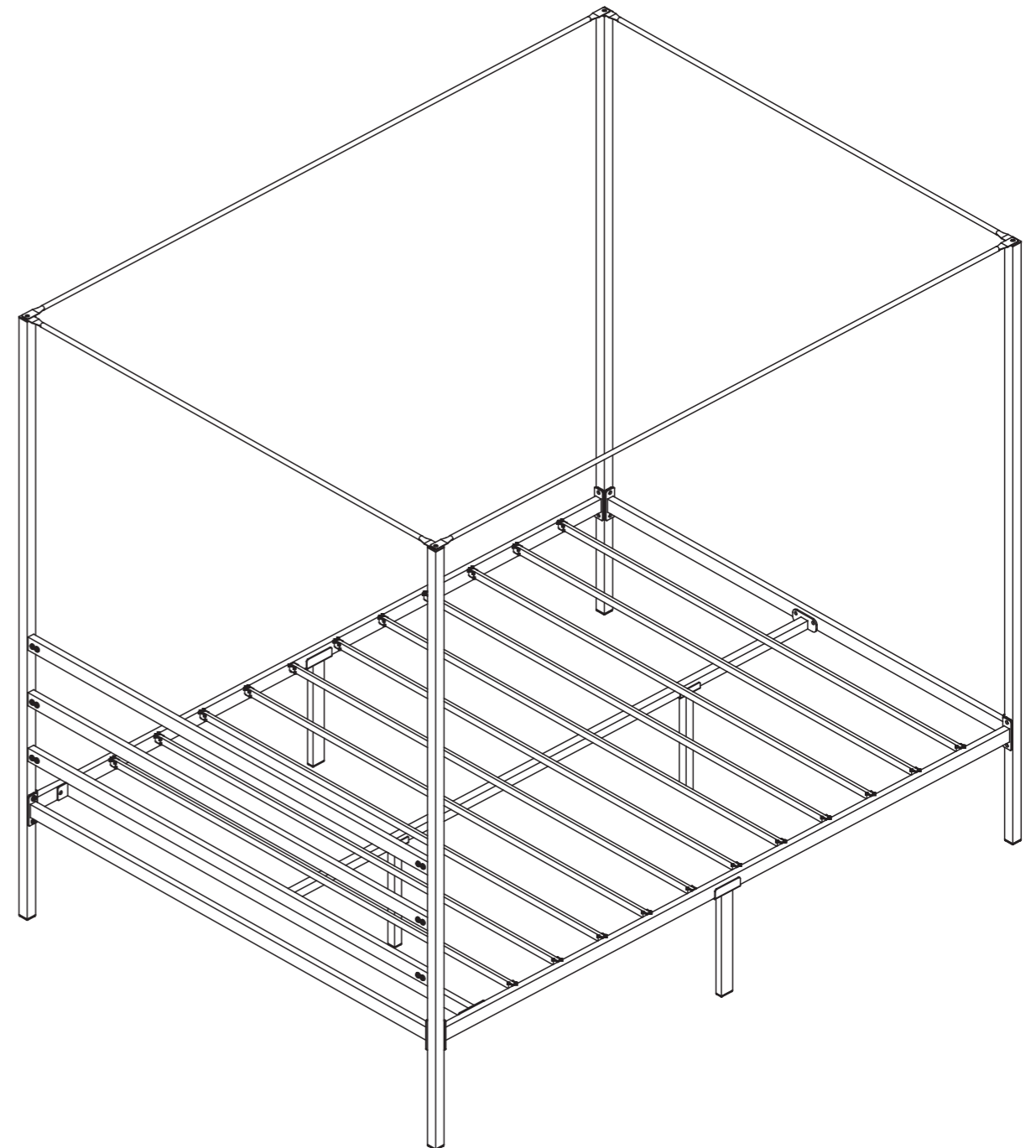


XMJH-V 1

FTBFBF-0009
FTBFBF-0010
FTBFBF-0011
FTBFBF-0047
FTBFBF-0048
FTBFBF-0049



METAL CANOPY BED FRAME (FULL/QUEEN/KING)

CONTACT US:

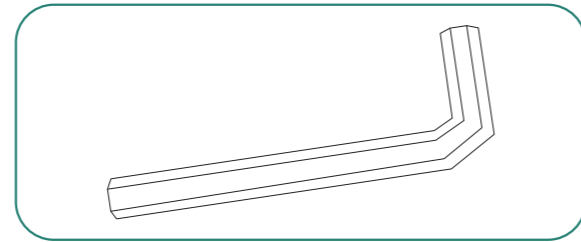
If you have any questions about the installation of YITAHOME products, just contact us at +1 (888) 717-8084 from Mon-Fri 8:00 AM-4:30 PM PST / Sat. 8:00 AM-12:00 PM PST or e-mail us at after-sale.cs@hotmail.com

Alternative method to contact us (amazon.com orders only)

1. Log into your Amazon account
2. Go to "Your Orders" and find the purchase
3. Click on "Contact Seller"

- ⚠ 1. Two or more people are required for the assembly.
- 2. To avoid squeaking, fix the bolts tight until they can no longer turn. An electric drill is recommended for the assembly.

Tools Required For Assembly



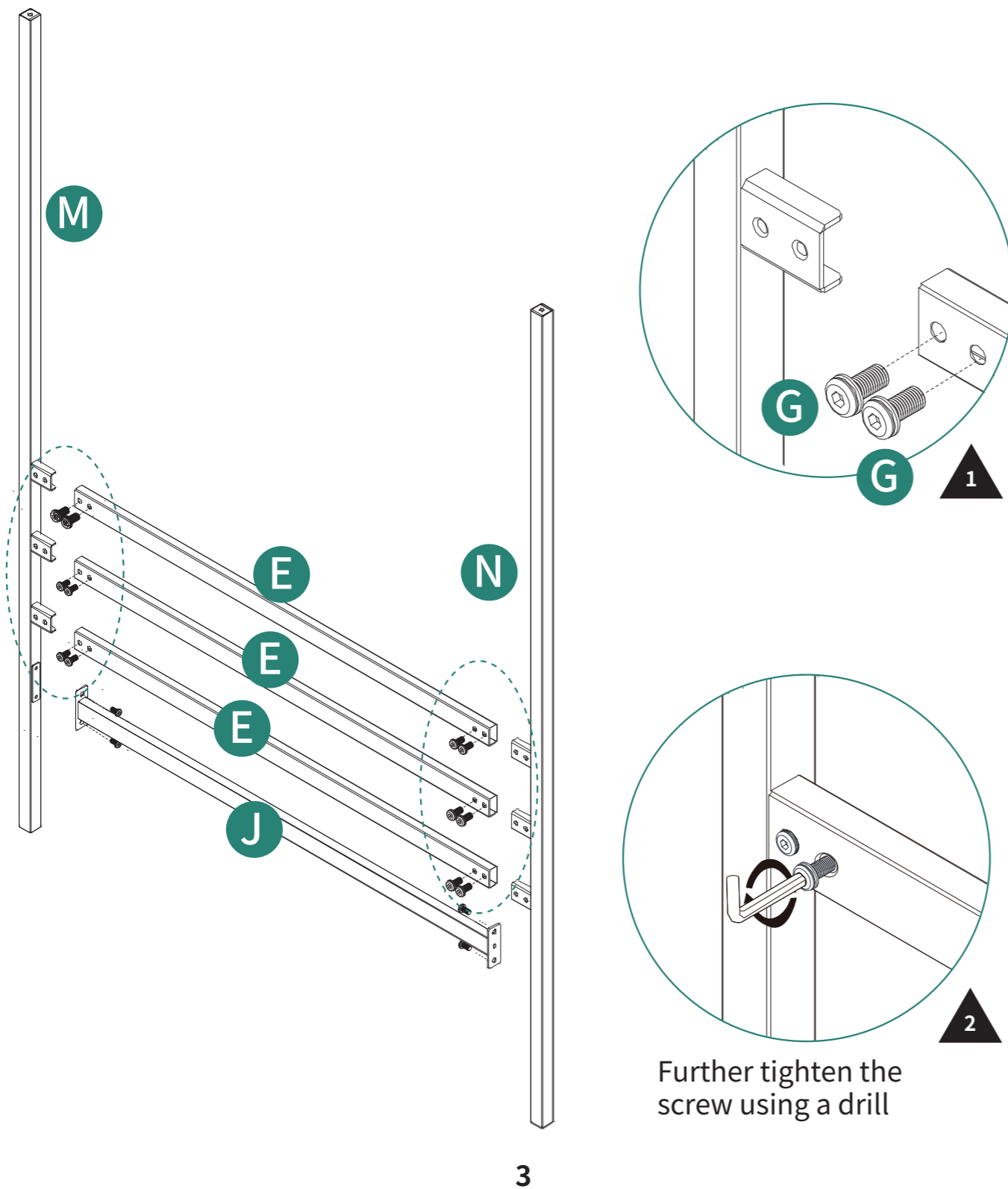
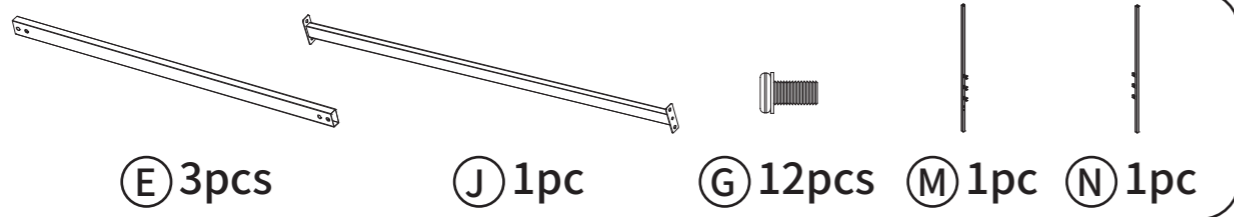
Item no.	Reference Image	Qty.
A		X 1
A1		X 1

Item no.	Reference Image	Qty.	Item no.	Reference Image	Qty.
B		X 2	D		X 1
C		X 2	E		X 3

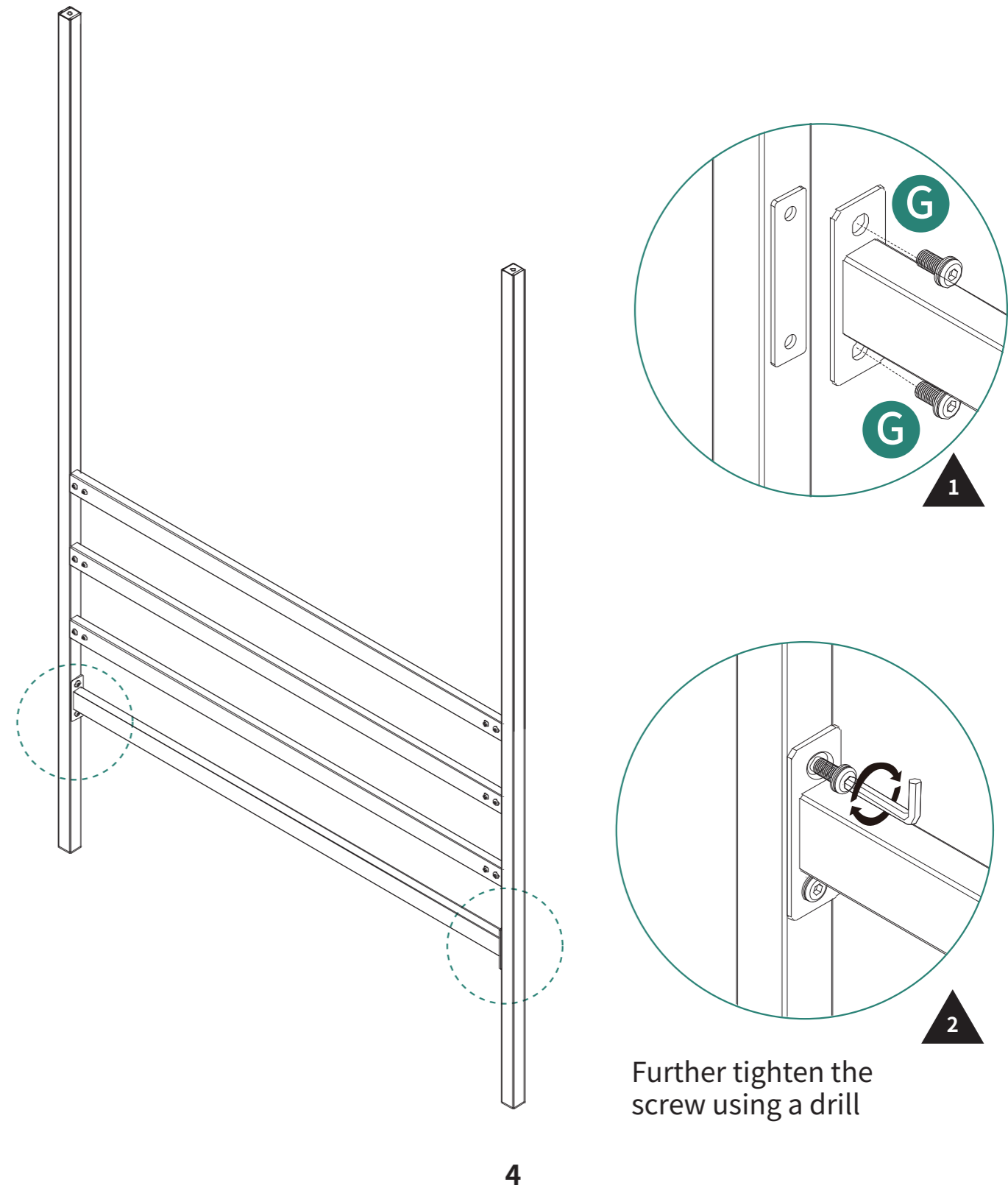
Item no.	Reference Image	Qty.
F		X 1
G		X 48
H		X 1
I		X 10
J		X 1
J1		X 1
K		X 1
O		X 2
P		X 2

Item no.	Reference Image	Qty.	Item no.	Reference Image	Qty.	Item no.	Reference Image	Qty.
L		X 2	M		X 1	N		X 1

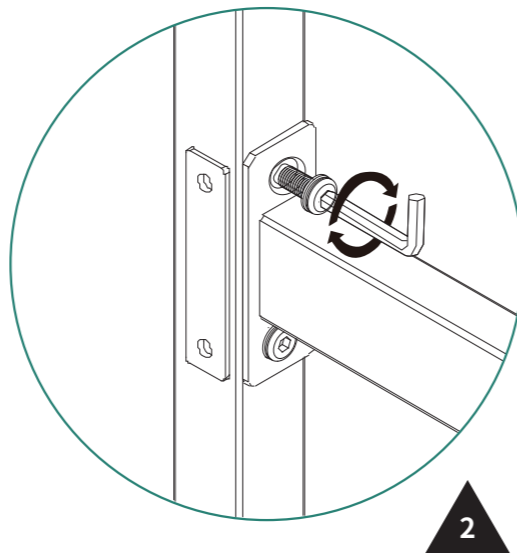
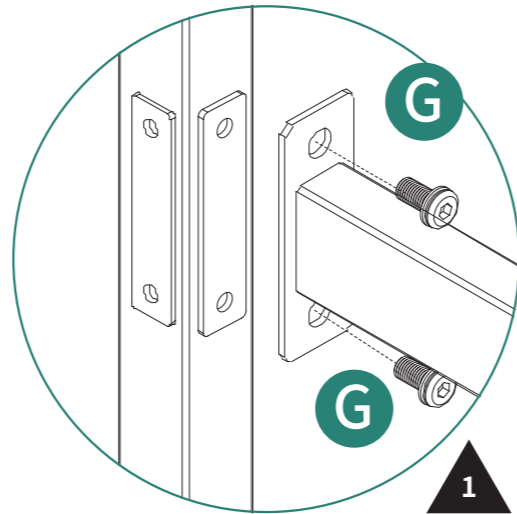
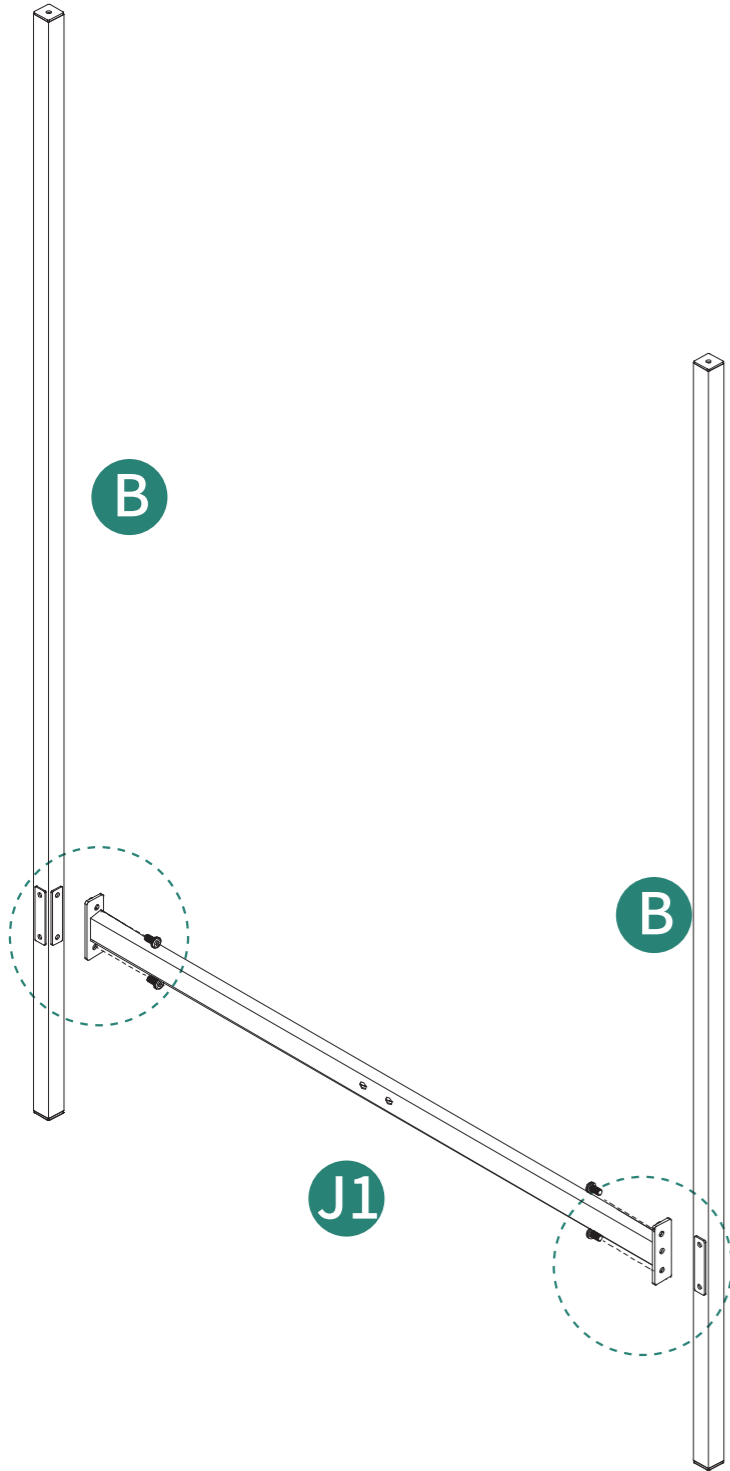
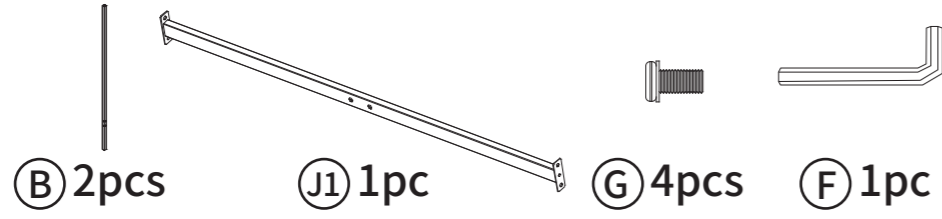
1



2



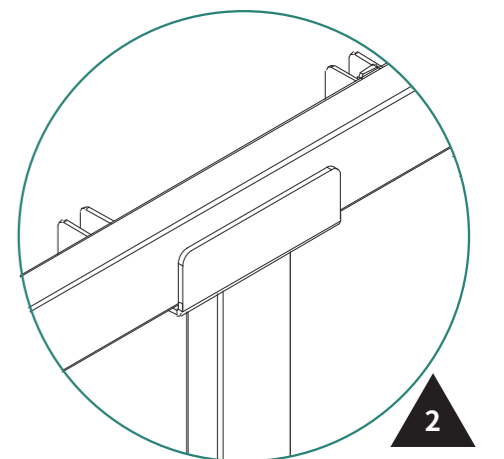
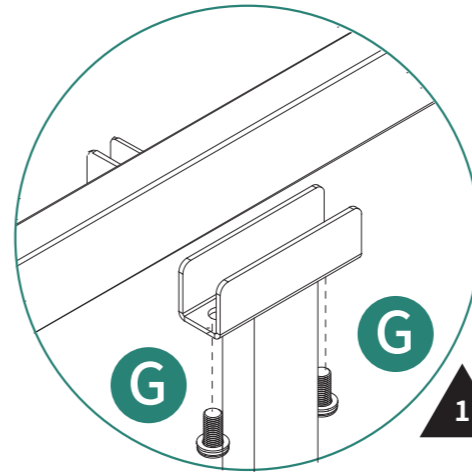
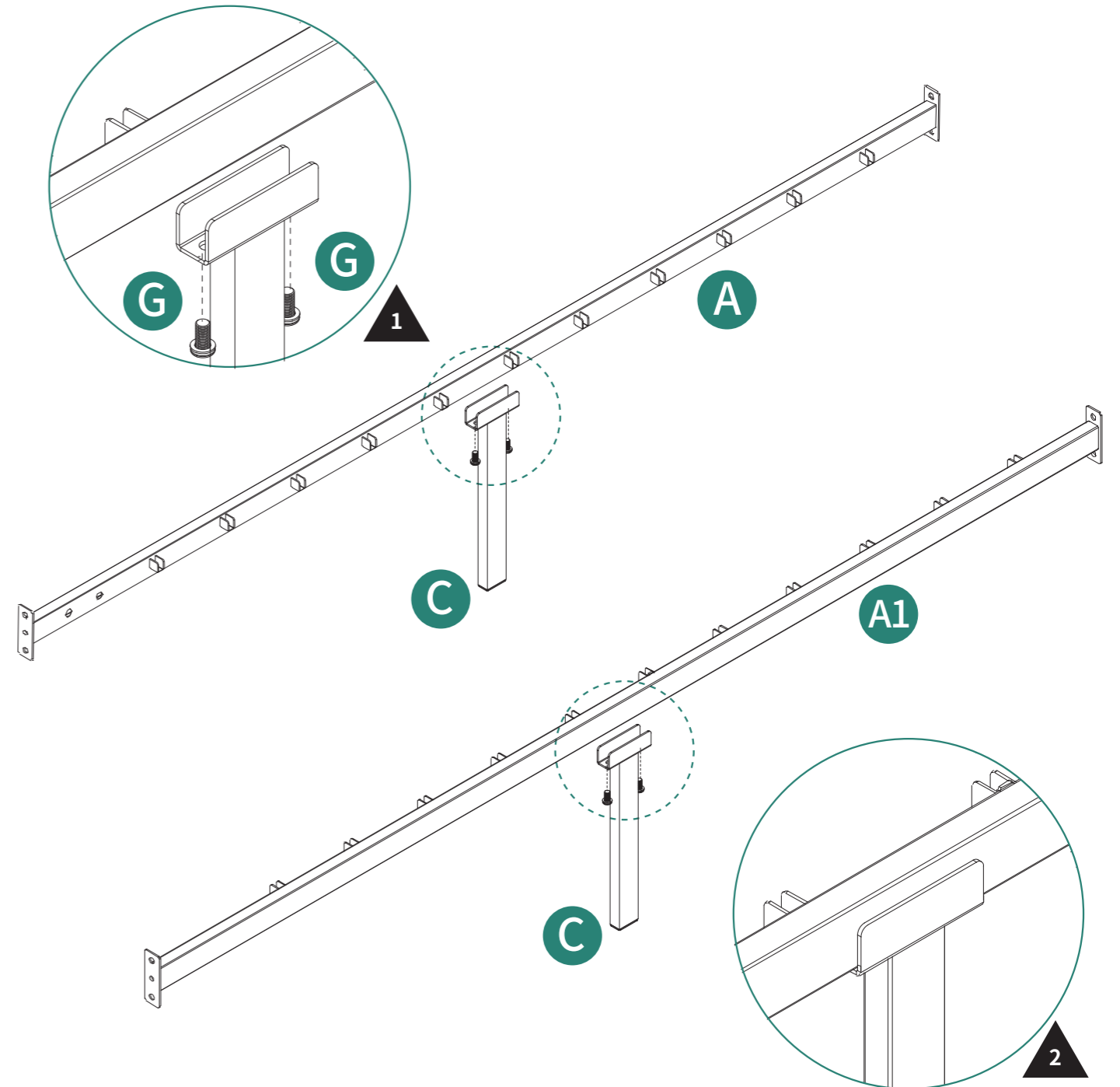
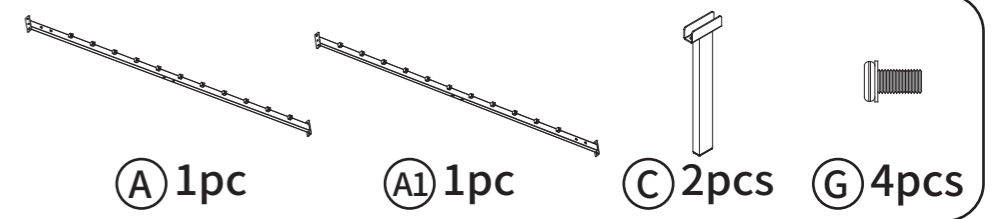
3



Further tighten the screw using a drill

5

4



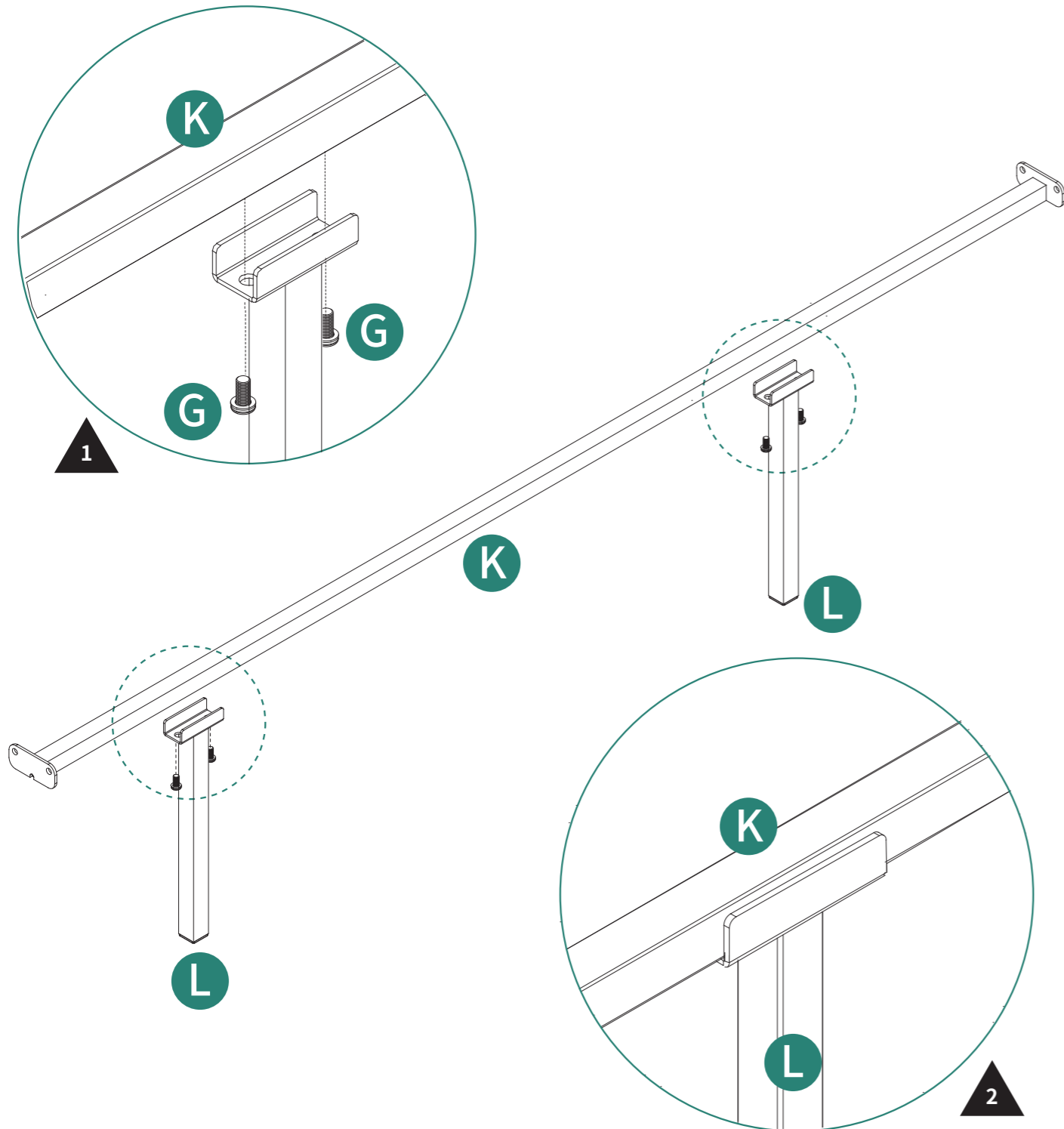
6

5

(K) 1pc

(L) 2pcs

(G) 4pcs

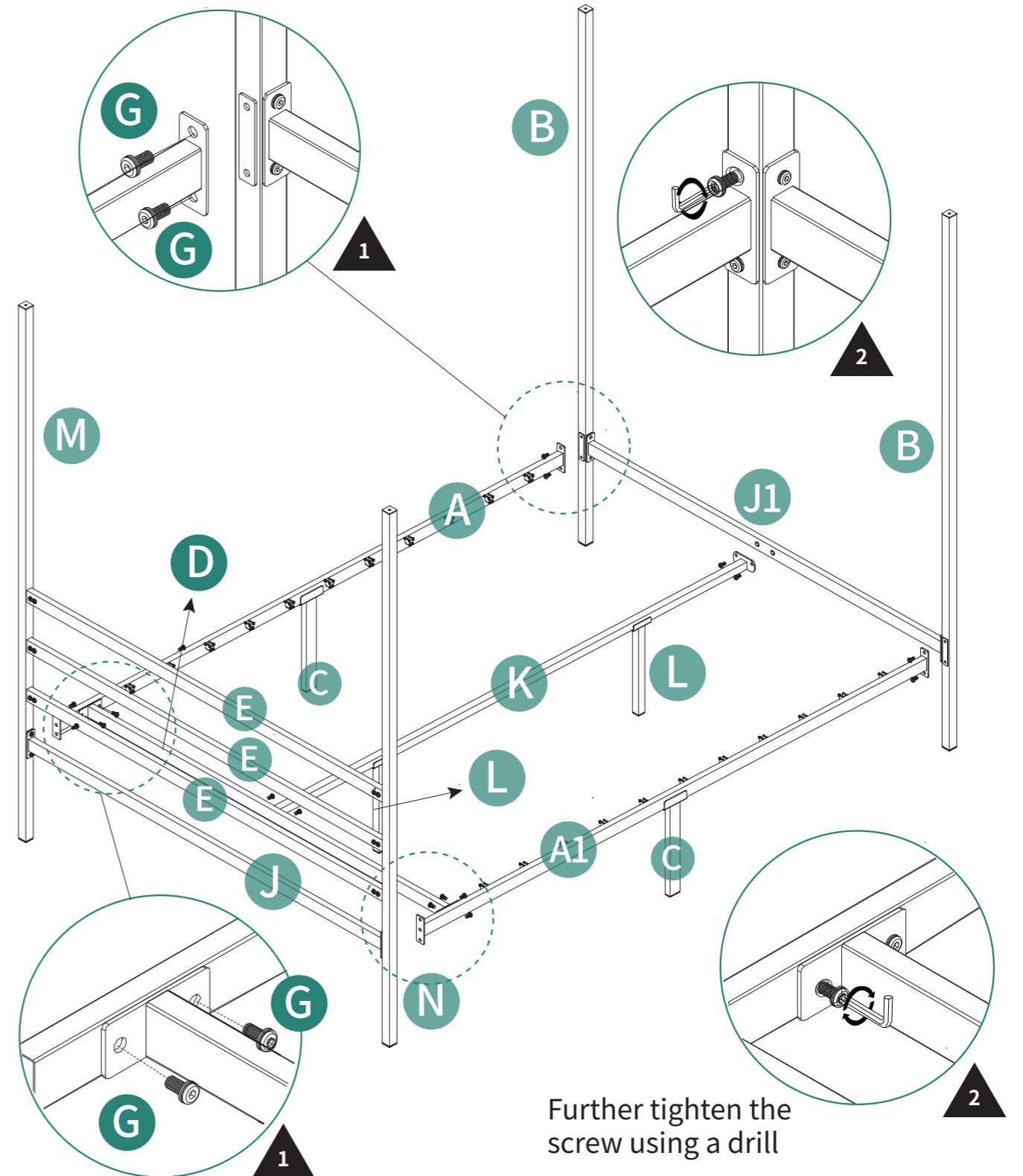


7

6

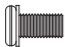
(D) 1pc

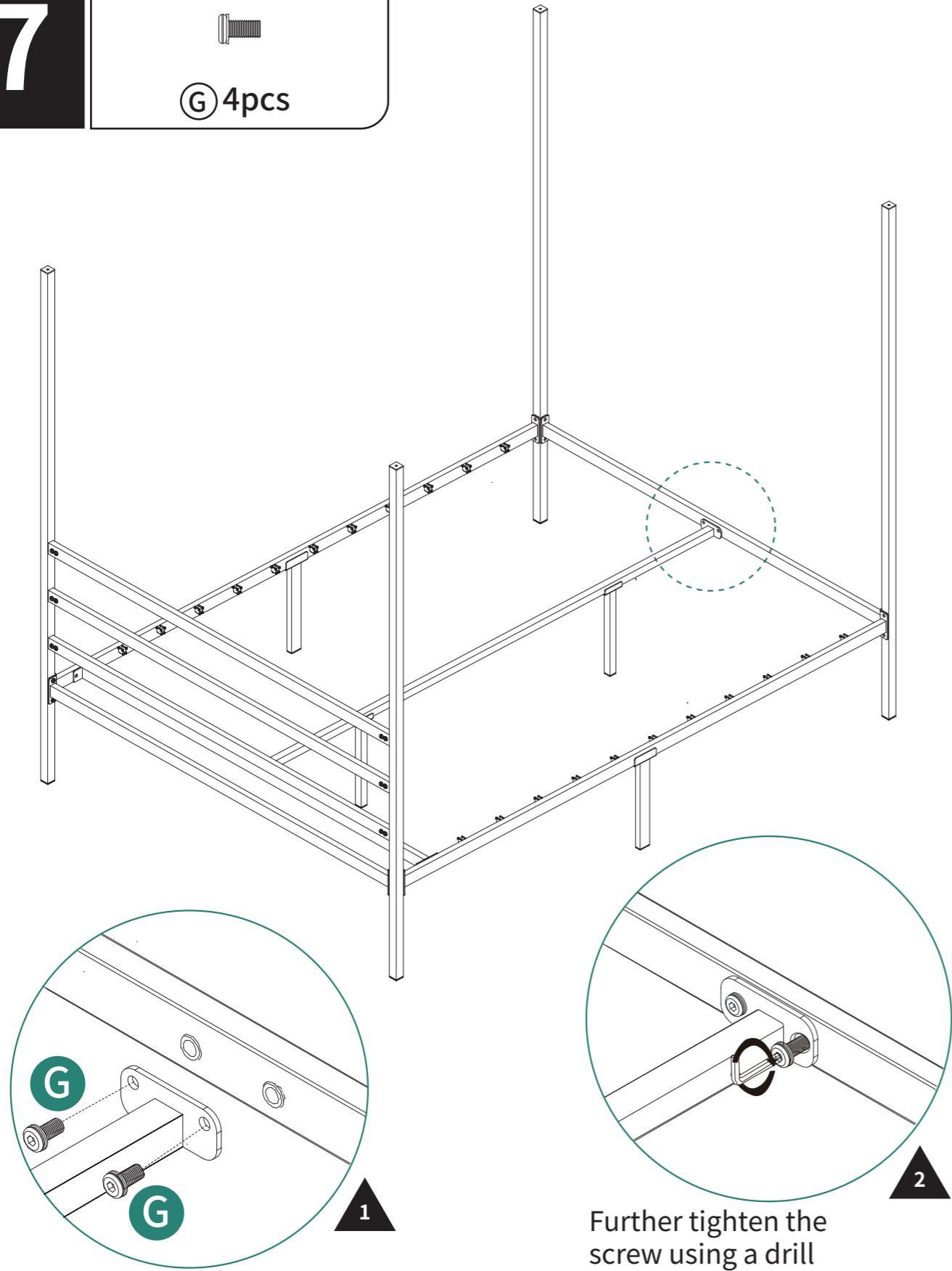
(G) 12pcs


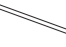



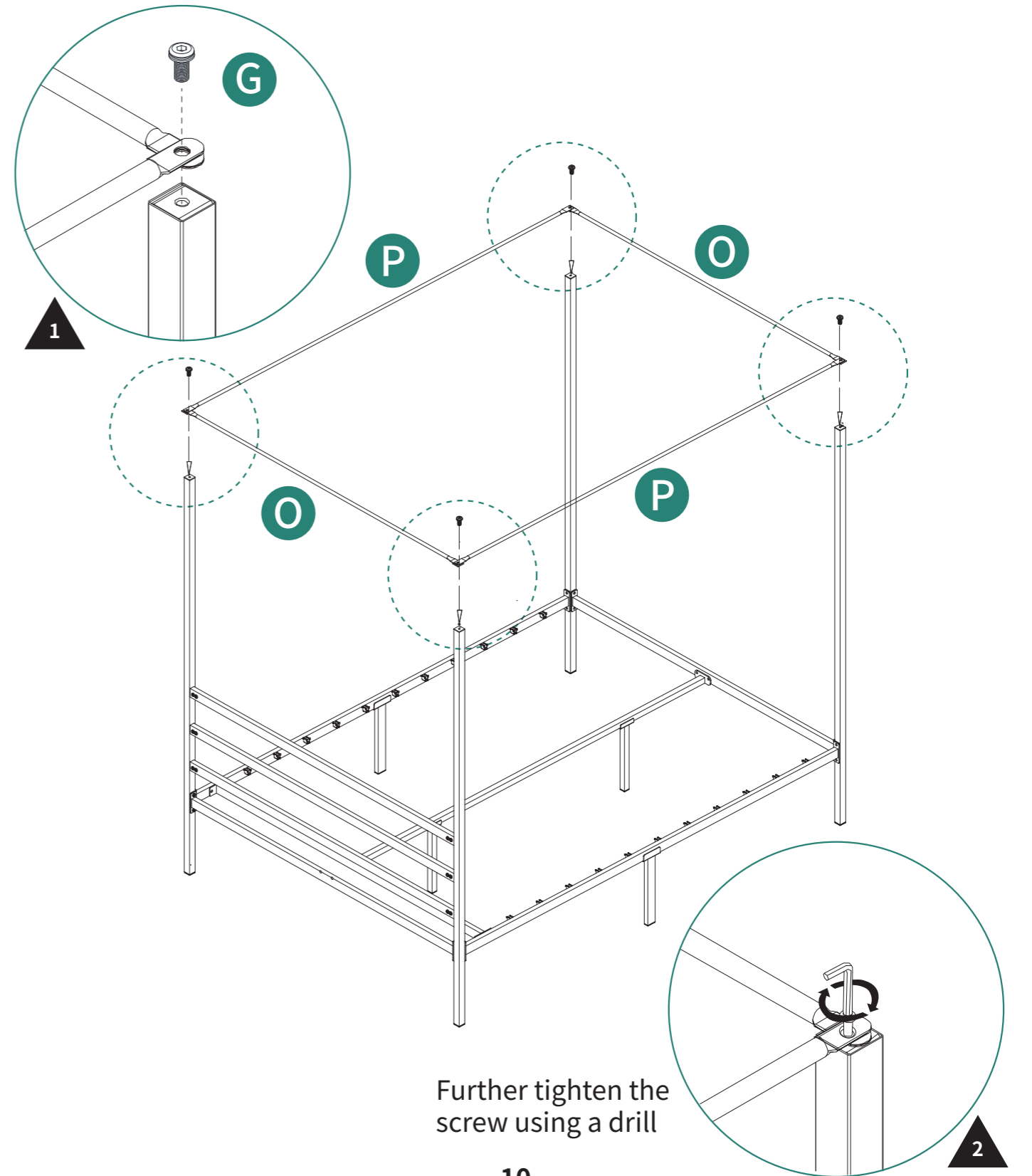
Further tighten the screw using a drill

8

7  **G 4pcs**



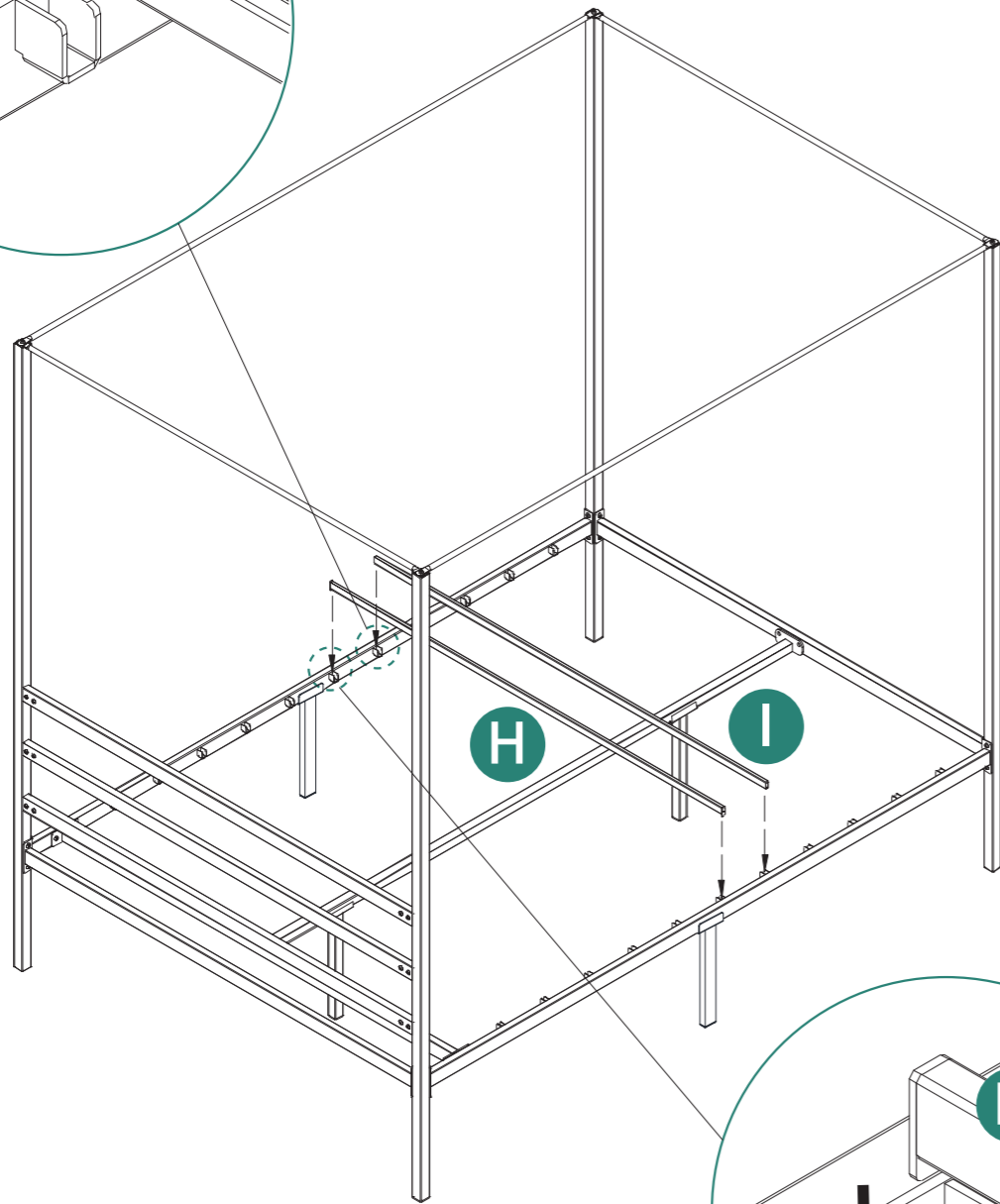
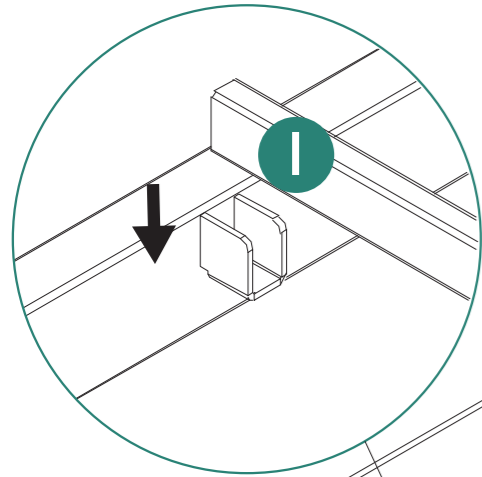
8  **O 2 pcs**  **P 2 pcs**  **G 4pcs**



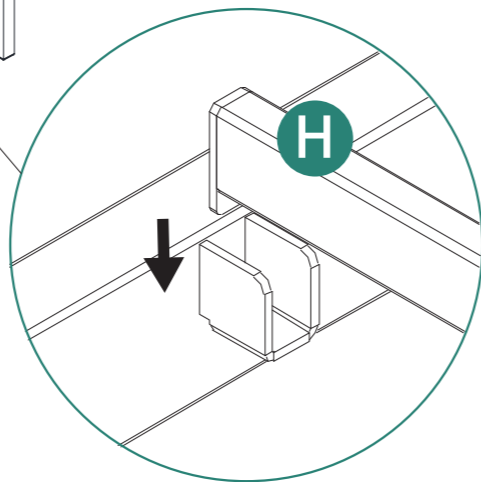
9

Ⓜ 1 pc

Ⓜ 10 pcs

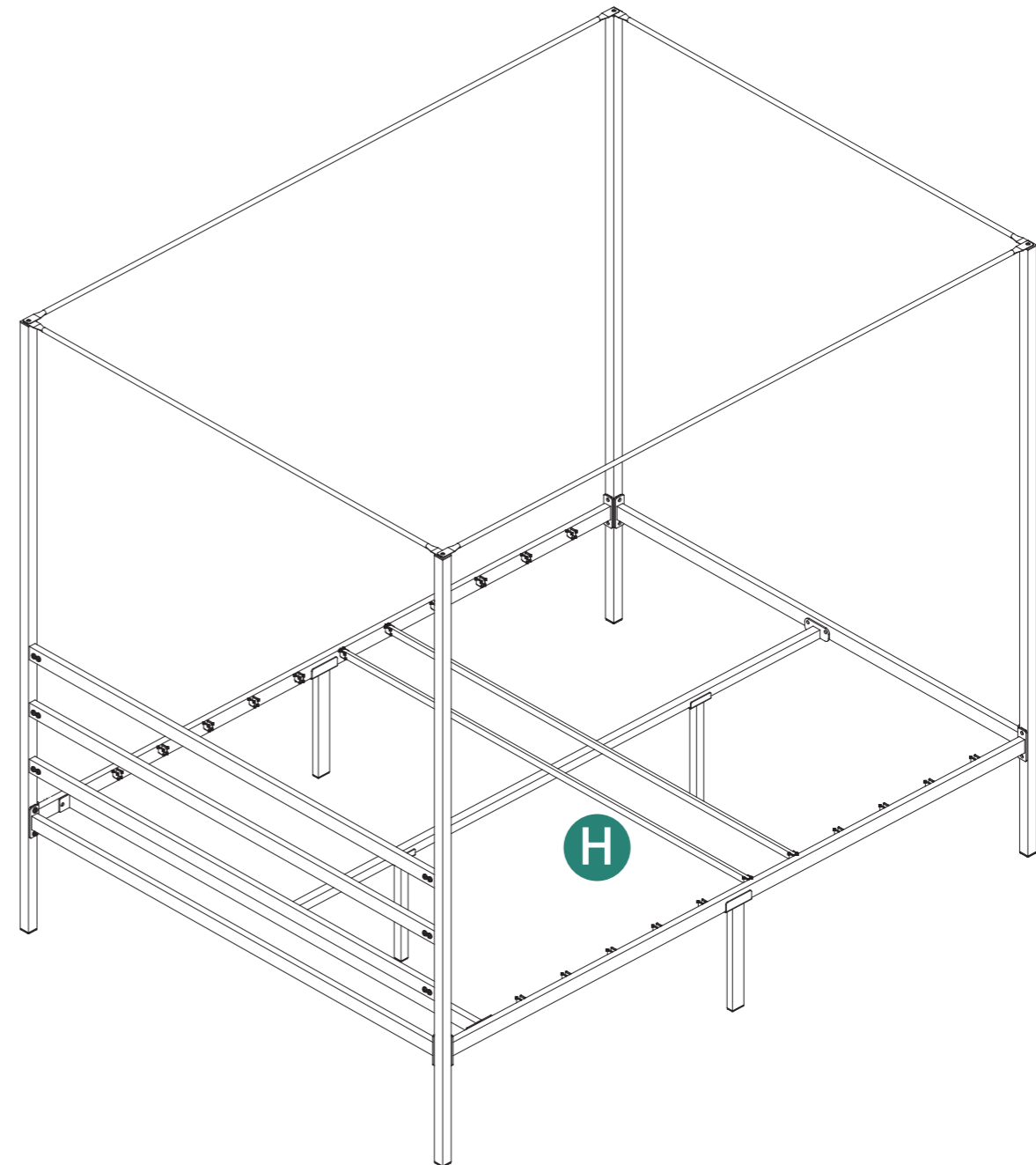


11



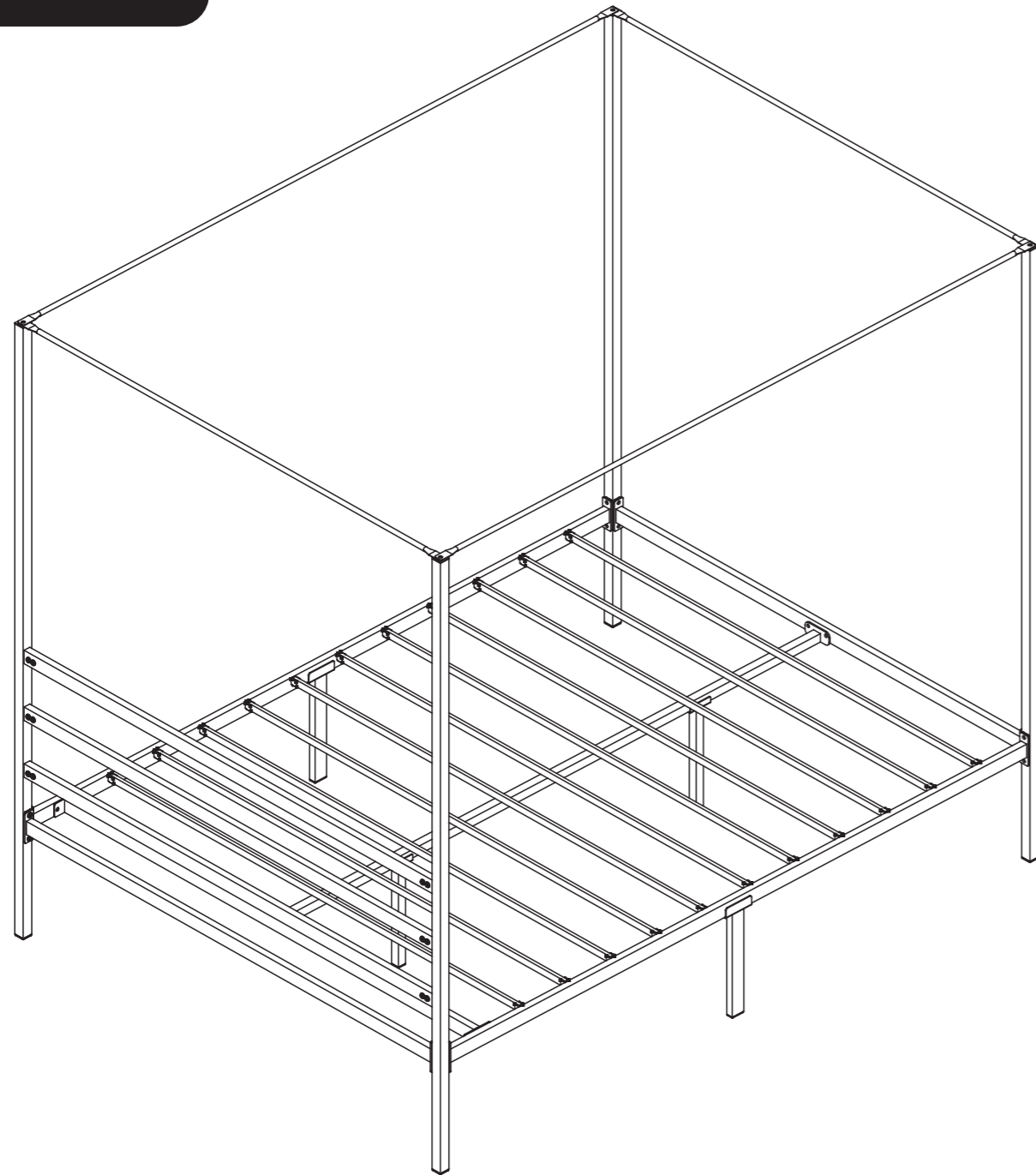
10

H-type steel slats can be installed into any side groove and provide solid support for the bed frame.



12

11



Complete Installation