

KING BED










ASSEMBLY INSTRUCTION

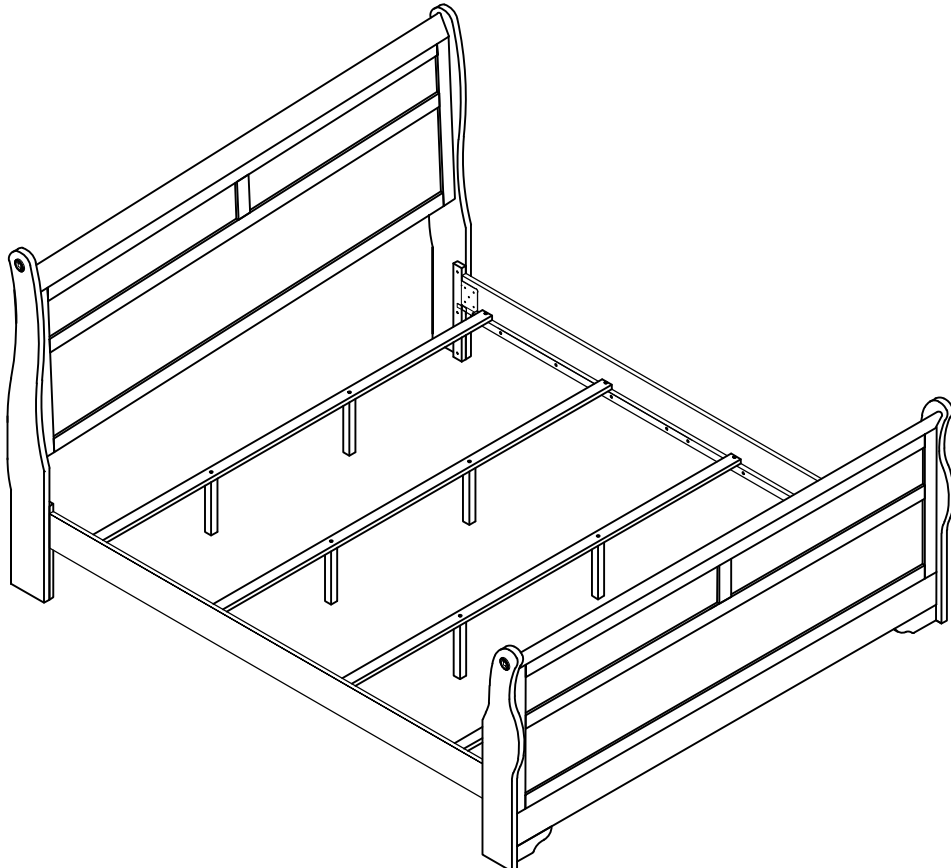
DESCRIPTION : KING HEADBOARD / FOOTBOARD
AND SIDERAIL

Thank you for purchasing this quality product. Be sure to check all packing material carefully for small Hardware which may have come loose inside the carton during shipment. Identify and count all Hardware and compare with the Hardware List below.

Component List		
Headboard & Footboard		
No	Descriptions	Qty
A	Headboard Panel	1
B	Headboard Leg (L)	1
C	Headboard Leg (R)	1
D	Footboard Panel	1
E	Footboard Leg (L)	1
F	Footboard Leg (R)	1
G	Slat	4
H	Slat Support	8

Component List		
Side Rail		
No	Descriptions	Qty
I	Side Rail	2

Hardware List In Headboard & Footboard			
No	Descriptions		Qty
1	Dowel M10 x 30mm		12
2	CSK M4 x 16mm		16
3	CSK M4 x 32mm		8
4	JCBC-W M7 x 40mm		4
5	JCBC M6 x 35mm		12
6	Spring Washer Ø1/4"		12
7	Flat Washer Ø1/4" x 20mm		12
8	Allen Key M4 x 110mm		1
9	Metal Button		4
10	Copper Nail		8
11	Metal plate		4

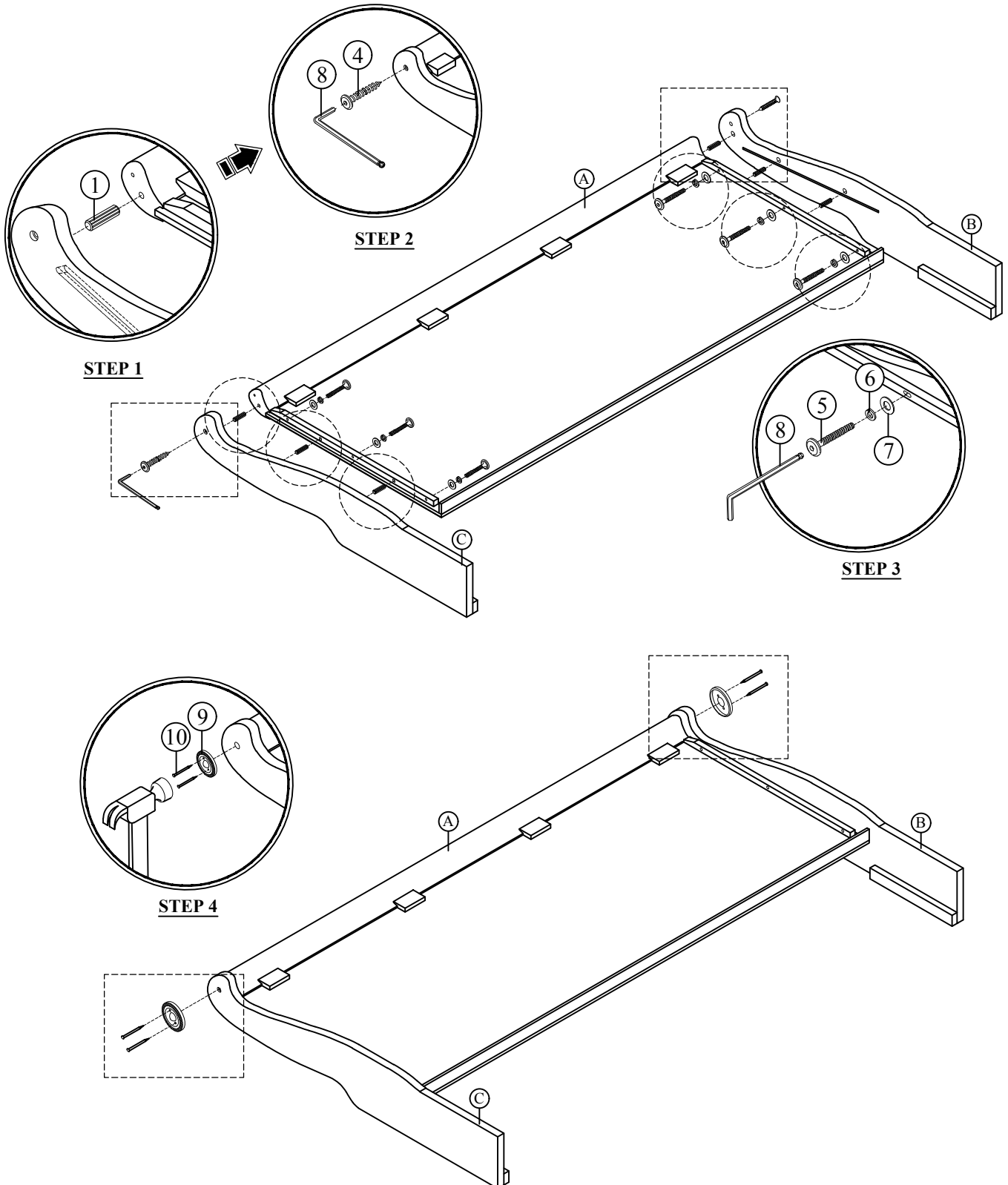


KING BED

ASSEMBLY INSTRUCTION

DESCRIPTION : KING HEADBOARD / FOOTBOARD
AND SIDERAIL

Thank you for purchasing this quality product. Be sure to check all packing material carefully for small Hardware which may have come loose inside the carton during shipment. Identify and count all Hardware and compare with the Hardware List below.

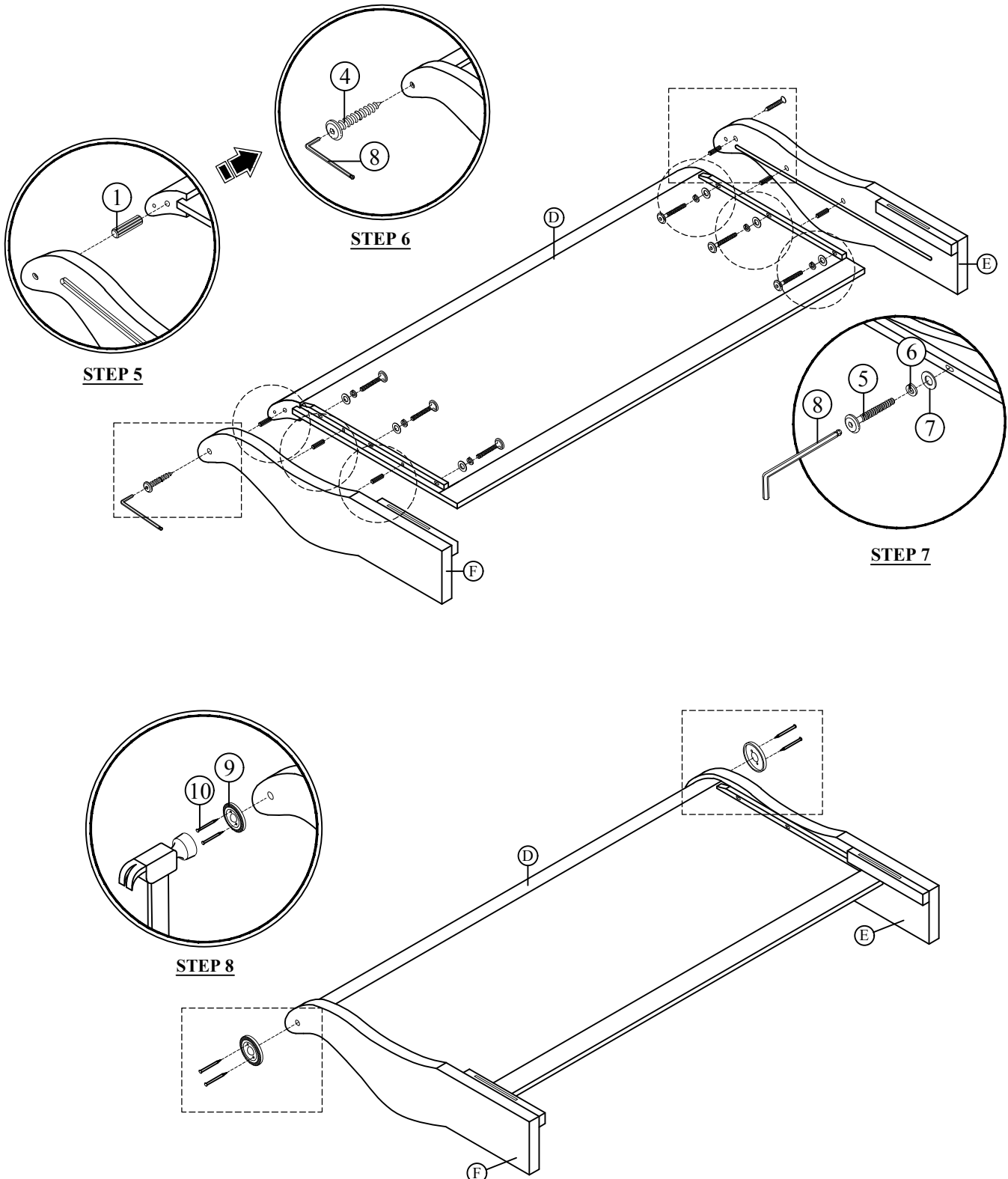


KING BED

ASSEMBLY INSTRUCTION

DESCRIPTION : KING HEADBOARD / FOOTBOARD
AND SIDERAIL

Thank you for purchasing this quality product. Be sure to check all packing material carefully for small Hardware which may have come loose inside the carton during shipment. Identify and count all Hardware and compare with the Hardware List below.



KING BED

ASSEMBLY INSTRUCTION

DESCRIPTION : KING HEADBOARD / FOOTBOARD
AND SIDERAIL

Thank you for purchasing this quality product. Be sure to check all packing material carefully for small Hardware which may have come loose inside the carton during shipment. Identify and count all Hardware and compare with the Hardware List below.

