



COASTAL LOCATION MARINE GRADE

10 YEAR FINISH WARRANTY

5CCT LIGHTING COMING IN 2026

20 POSSIBLE VARIATIONS

# Donaire

## Designed for Elegance and Durability

Its graceful teardrop motor housing and refined transitional design create an air of effortless luxury, while its **316 marine-grade stainless steel** construction ensures unwavering resilience—even against the harshest coastal elements. The Donaire is as versatile as it is stunning. Its **all-weather blades** glide smoothly through the air, complemented by a 16W dimmable LED light that casts a warm, inviting glow. For a sleeker aesthetic, an optional metal cover allows you to tailor its look to perfection. Engineered for lasting beauty and performance, the Donaire is backed by a **limited lifetime warranty on the motor and components** and a **10-year warranty on the finish**, ensuring it remains a statement of luxury and reliability for years to come.



Shown:

DA-BK-BK Matte Black Finish, with Matte Black Blades



COASTAL LOCATION MARINE GRADE

Shown:  
**DA-BB-BB** Brushed Bronze Finish, with Bronze Tone Blades



**DA-BS-BS**  
 Brushed Stainless Finish,  
 with Silver Tone Blades



**DA-BB-BW**  
 Brushed Bronze Finish,  
 with Barn Wood Tone Blades



**DA-WH-BS**  
 Gloss White Finish,  
 with Silver Tone Blades



**DA-BK-BB**  
 Matte Black Finish,  
 with Bronze Tone Blades and  
 optional metal cover

PRODUCT FEATURES

- LED Lamp
- AC Motor
- Silent Motor
- Handheld Remote
- Accessory Wall Control  
See page. 00
- Dimmable Light Kit
- Coastal Environment
- 29° Slant Ceiling Canopy
- Unipack Shipping
- Optional 60° Slant Mount

FAN FEATURES

**Blades (3)**  
 - 14° Pitch  
 - 52" Blade Length / 132cm  
 - ABS Blades  
**Overall Drop** 8.5in / 22cm +  
 downrod length

**Fan Weight** 29 lbs  
**Downrod Lengths**  
 inches: 5, 10, 18, 24, 36, 48,  
 60, 72  
 centimeters: 13, 25, 46, 61, 92,  
 122, 153, 183  
*Field cuttable, Non-threaded*  
**Downrod Diameter** 1 inch  
**Fan Diameter** 52in / 132cm  
**Voltage** 110 or 220

MOTOR FEATURES

**Motor Type** AC  
**Ambience** Silent  
**Safety Certification** UL / CUL  
**Warranty** Limited Lifetime

DOE MOTOR  
 EFFICIENCY DATA

**RPM (Low/High)** 55 / 172  
**CFM (Low/High)** 1775 / 6013  
**Watts (High)** 58.62  
**CFM/Watt (High)** 111

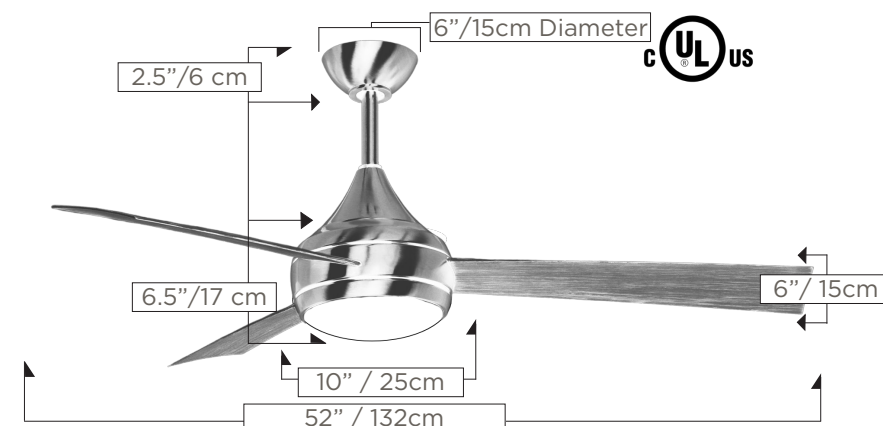
LIGHT KIT  
 PHOTOMETRICS

**Lamping (Replaceable)**  
 Integrated LED  
**CRI** 90 | **Watts** 16 | **Hours** 60,000  
**Dimmable**  
**Longevity** if used 6 Hours/Day:  
 27.4 Years

DELIVERED LUMENS

**3017K** 725

TECHNICAL SPECIFICATIONS



SKU BUILDER

**DA-XX-XX**  
 (Model+Finish+Blade)

FAN FINISHES

20 POSSIBLE VARIATIONS

Fan Finishes Light Kit	Blade Finishes 52"
---------------------------	-----------------------



STANDARD EQUIPMENT

**Downrod** 10in / 25cm  
**Slant Ceiling Canopy** 29°  
**Light Cover**



**Handheld Remote**  
 - 3 Speed  
 - Light On/Off  
 - Dimmable  
 \*For more information see  
 accessory page. 132