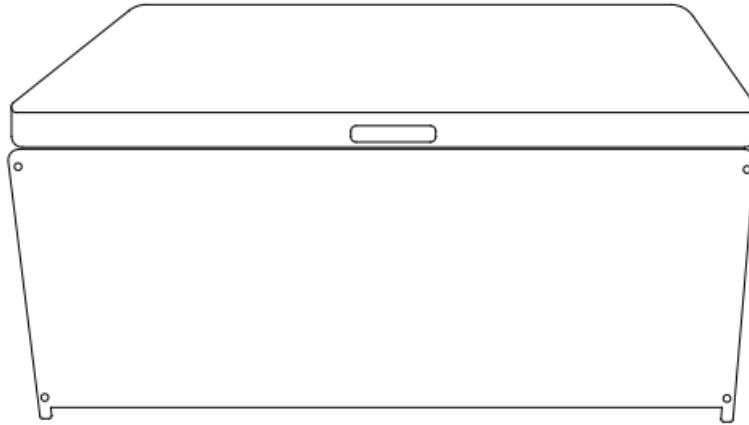


Thanks for shopping with Jeco®

# Resin Wicker Storage Trunk



**Parts List:**

<p>A1. Body-Long Side Qty: 1</p>	<p>A2. Body-Long Side Qty: 1</p>	<p>C. Bottom Panel Qty: 1</p>	
<p>B1. Body-Short Side Qty: 1</p>	<p>B2. Body-Short Side Qty: 1</p>	<p>D. Lid Qty: 1</p>	
<p>E. Bolt Qty: 2</p>	<p>F. Washer Qty: 8</p>	<p>G. Screw Qty: 8</p>	<p>H. Allen Wrench Qty: 1</p>

# JECO

1-800-893-3006  
Ontario, CA 91761

Made in China

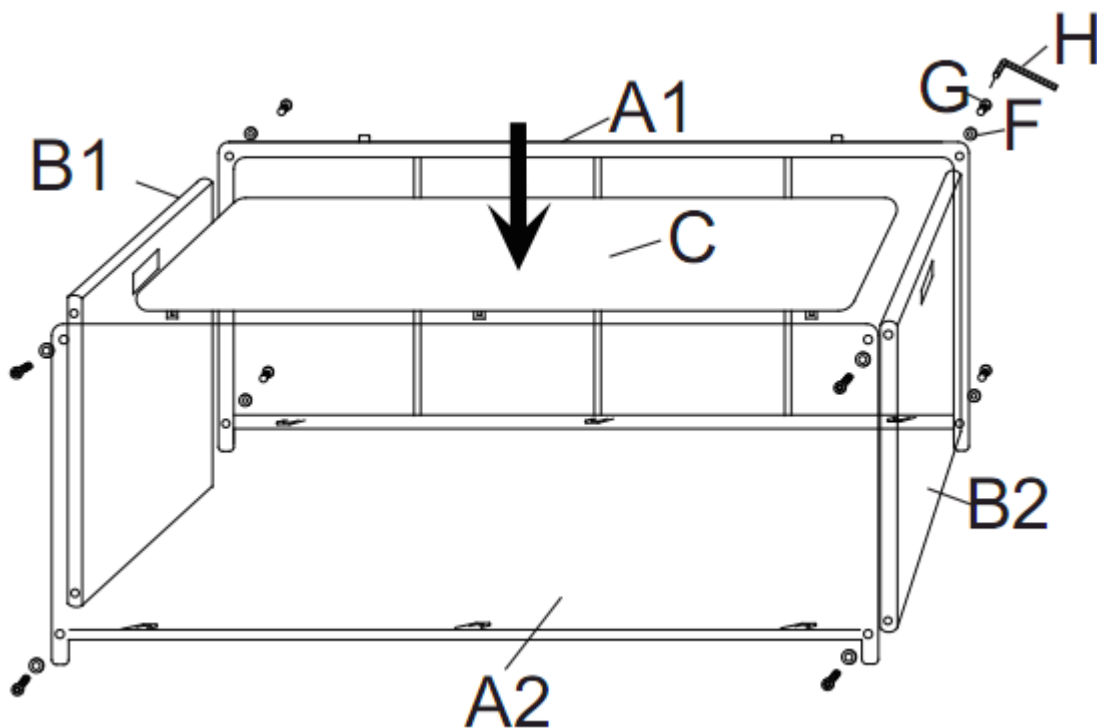
If you have questions regarding this product, call  
1-800-893-3006 Mon.-Fri. 9:00-5:00 PST  
(California) and ask for our product specialists, or  
e-mail: [cs@jeco-inc.com](mailto:cs@jeco-inc.com)  
See many more products on the Internet!  
**[www.jeco-inc.com](http://www.jeco-inc.com)**

**Note:** THIS PACKAGE MAY CONTAIN SMALL ITEMS WHICH SHOULD BE KEPT AWAY FROM CHILDREN

- Read through the preparation and assembly instructions in full before beginning assembly. It will help you become familiar with the parts and construction.
- Wait to dispose of the packing material until assembly is complete and all parts and hardware are accounted for. Sometimes a hardware bag can be tricky to find.
- Two people might be required for assembly.
- Save all packing materials until assembly is complete to avoid accidentally discarding smaller parts or hardware.
- Please use CAUTION AND CARE WHEN LIFTING the product to avoid personal injury and (or) damage to the product.

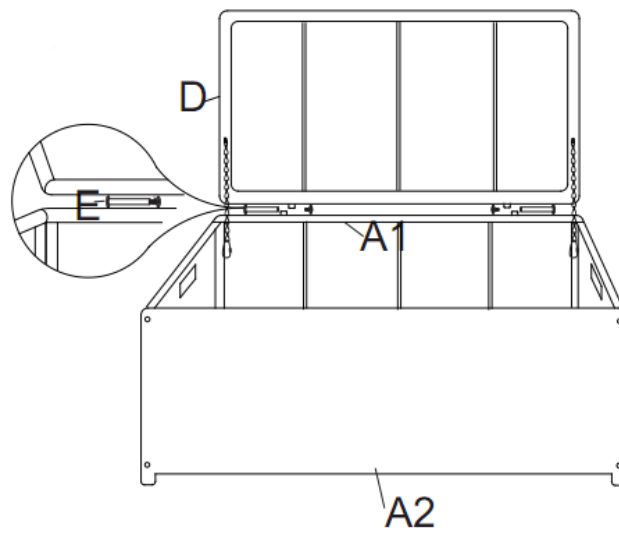
## To Assemble:

Step 1 :

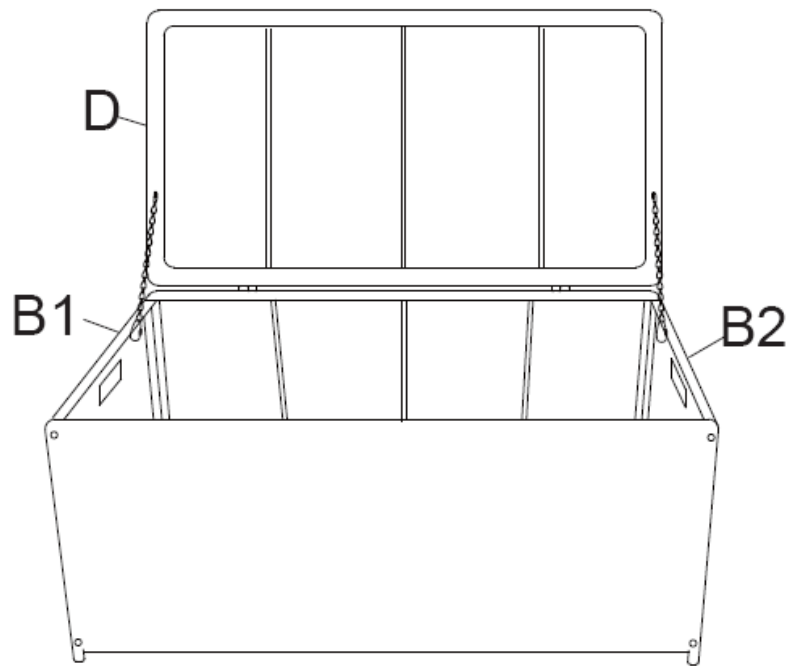


# To Assemble:

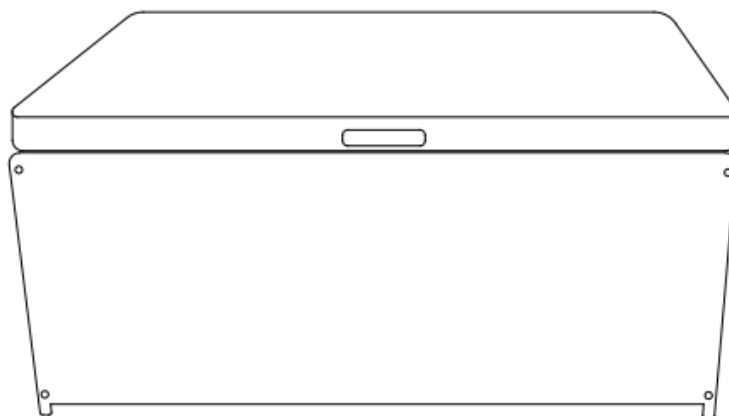
Step 2 :



Step 3 :



Step 3 : COMPLETED



## **Care & Maintenance:**

### **Spills**

Immediately wipe up the spill using a white damp cloth. Repeat process if necessary until stain is gone.

### **Resin Wicker Product Care**

Before using, clean the product completely with a soft dry towel. When not in use, wipe free of any dirt or loose objects, wash with a mild solution of soap and water; Rinse thoroughly and dry completely. Do not use strong detergent or abrasive cleaners. Over time nuts and bolts can loosen. Occasionally, check nuts and bolts on the table, re-tighten if necessary.