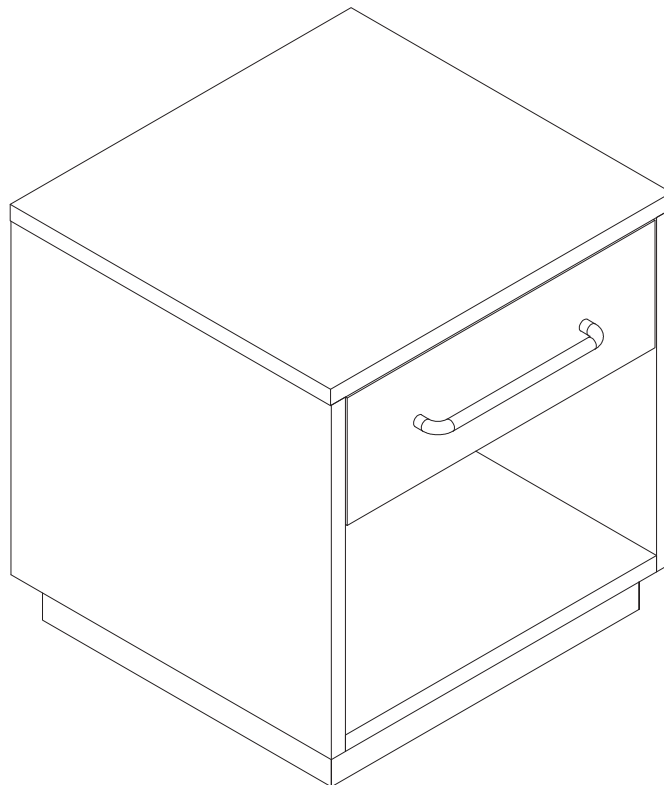




MARLOW WOOD NIGHTSTAND

# MARLOW

## ASSEMBLY INSTRUCTIONS



**BEFORE BEGINNING ASSEMBLY:**



*Read instructions cover to cover*



*Have two adults on hand for assembly*



*Do NOT assemble on flooring or carpet. Assemble on a clean non-marring surface (ex: packing foam)*



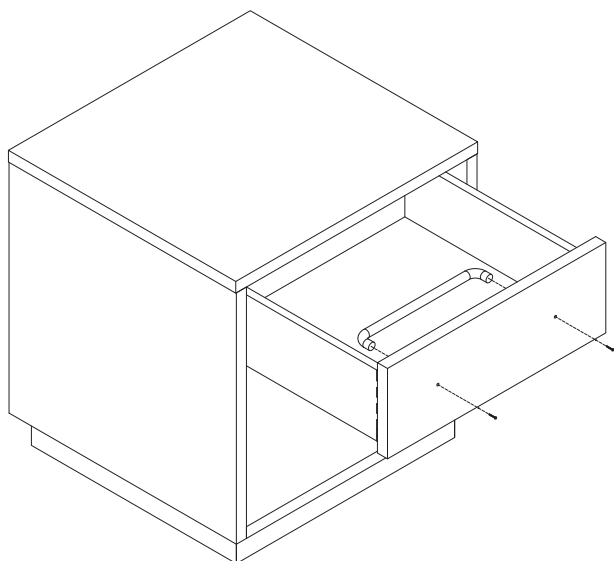
*Save all packaging until assembly is completed*

---

## ASSEMBLY STEPS

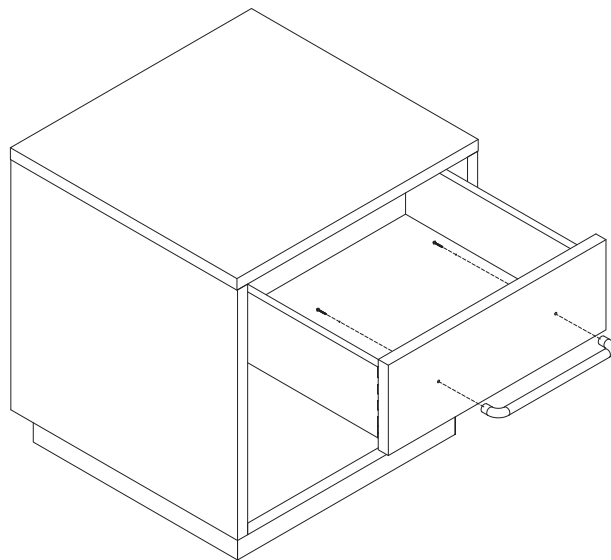
---

### STEP 1



*Remove the handle from the inside of drawer.*

### STEP 2



*Install the handle with the same hardware outside the drawer as shown.*

---

## CARE & MAINTENANCE

---



Do not put hot items directly on furniture surface.



Do not clean furniture with harsh cleansers or polish



Dust and wipe up spills using a clean, non-colored, lint-free cloth.



Stains may be removed with a mild soap solution and a damp cloth.



Do not place furniture under direct sunlight.



Do not place furniture near heating or cooling vents.



Do not write on furniture without a padded barrier to protect the surface.



Do not place furniture outside, for indoor use only.