

2 CUBE SHELVING

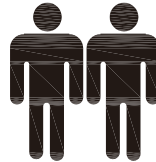
ITEM CODE: G-0563

Assembly Instruction

1.0hr

APPROXIMATE ASSEMBLY TIME

2 PEOPLE ASSEMBLY



FLOOR AREA
1Mx1M

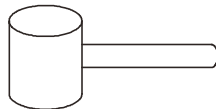


REQUIRED ASSEMBLY SPACE

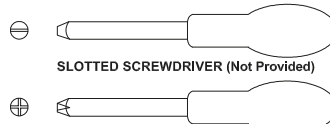
REQUIRED ASSEMBLY TOOLS



HAND DRILL (Not Provided)

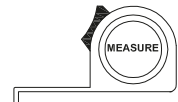


SOFT RUBBER HAMMER(Not Provided)



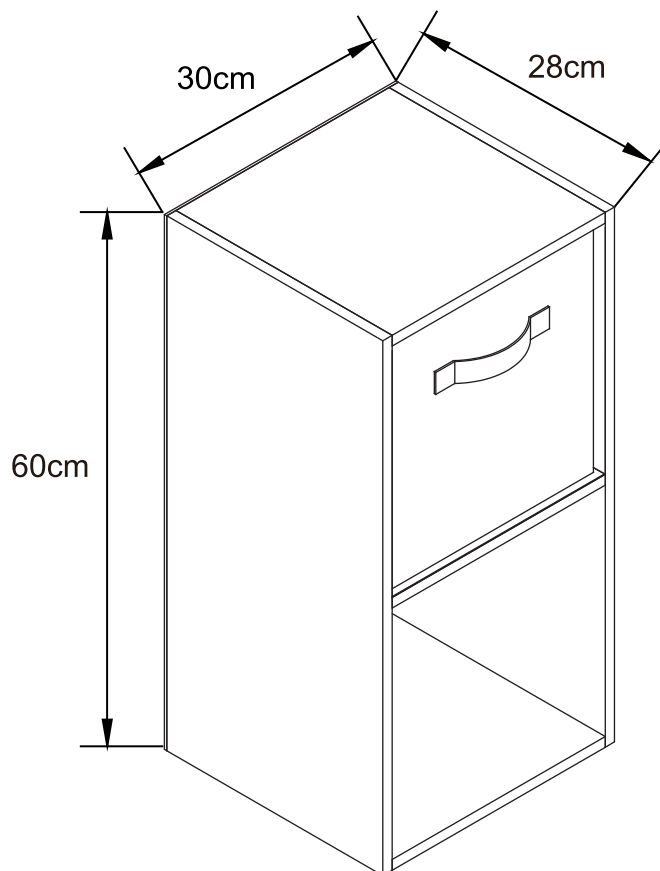
SLOTTED SCREWDRIVER (Not Provided)

POZI SCREWDRIVER (Not Provided)



MEASURING TAPE (Not Provided)

ASSEMBLED DIMENSIONS



Max. Loading: 15kg

1 - 6

Made in China
Manufactured for Gill HK Limited BD4 9SW
www.gillhk.com

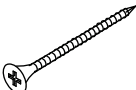





2 CUBE SHELVING

ITEM CODE: G-0563

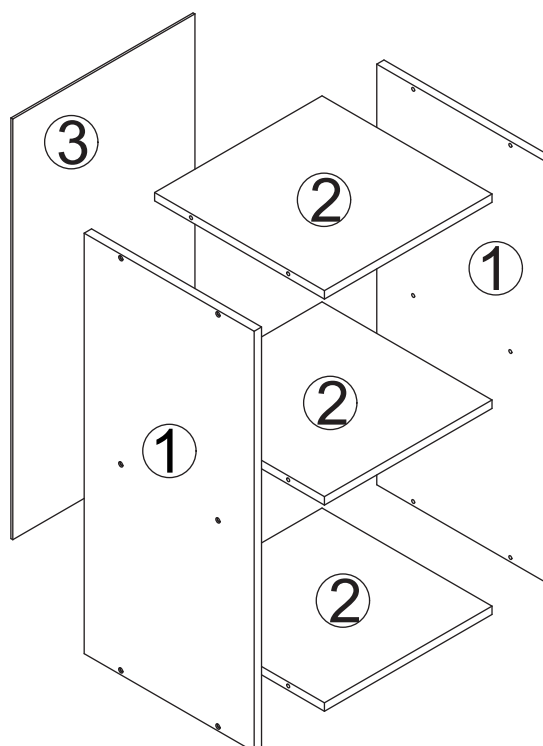
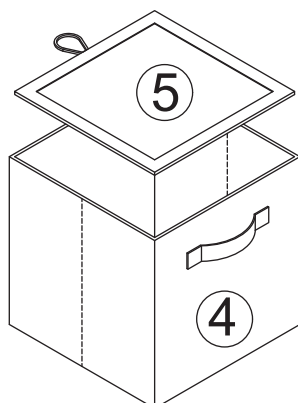
Assembly Instruction

NO.	PART LIST	QTY	NO.	PART LIST	QTY
(1)	SIDE PANEL	2	(4)	NON-WOVEN BASKET	1
(2)	INTERNAL PANEL	3	(5)	BOTTOM INSERT	1
(3)	BACK PANEL	1			

HARDWARE LIST

A	x13	B	x12	C	x12	D	x1	E	x1
									
Dia:4x35mm						Dia:3x16mm			
SCREW		BACK PANEL NAIL		STICKER		SCREW		ANTI-TIP STRAP	
F	x1								
									
WALL PLUG									

PART LIST

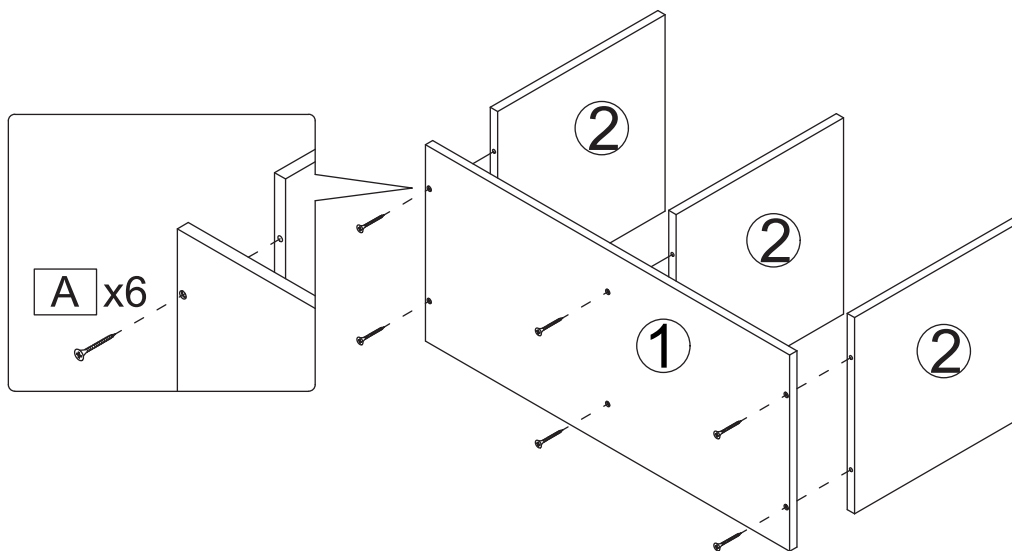


Max. Loading: 15kg

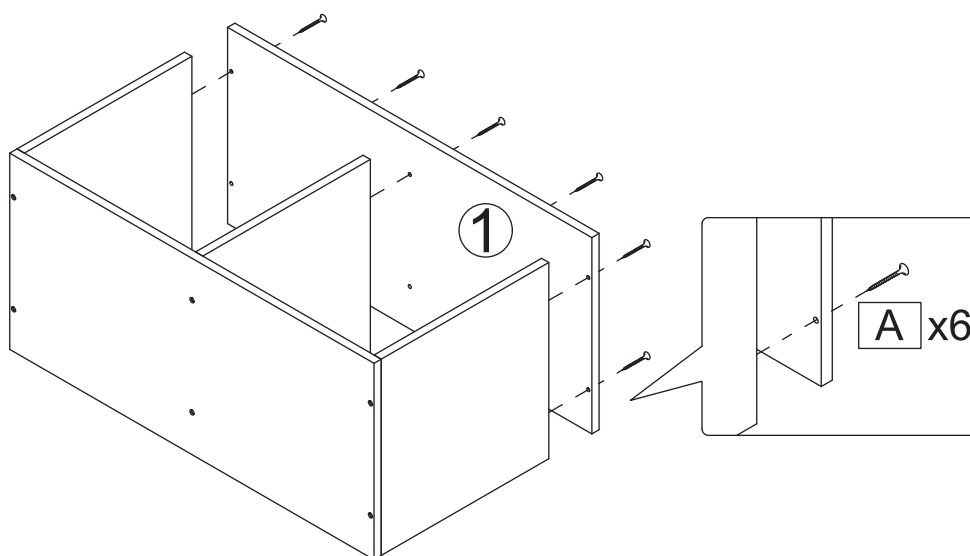
2 CUBE SHELVING

ITEM CODE: G-0563
Assembly Instruction

STEP 1



STEP 2



Max. Loading: 15kg

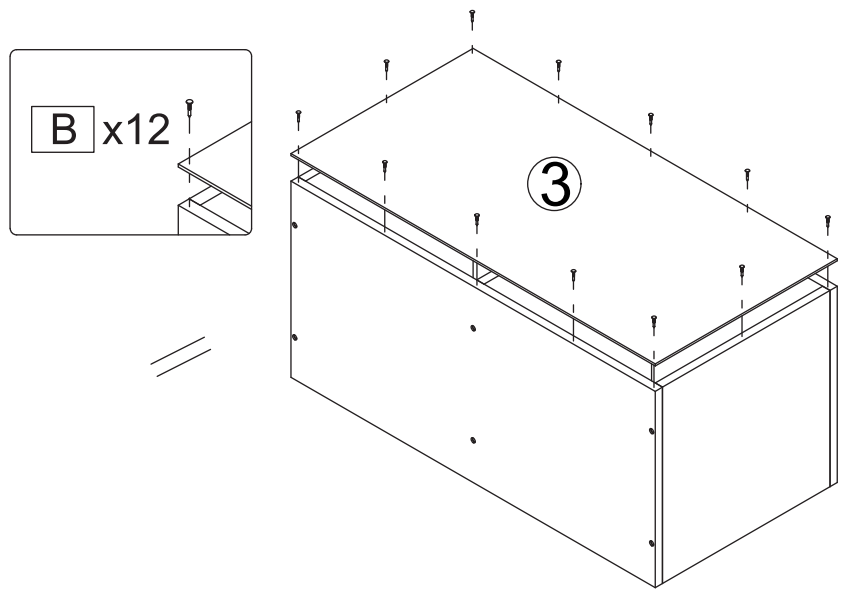
3 - 6

Made in China
Manufactured for Gill HK Limited BD4 9SW
www.gillhk.com

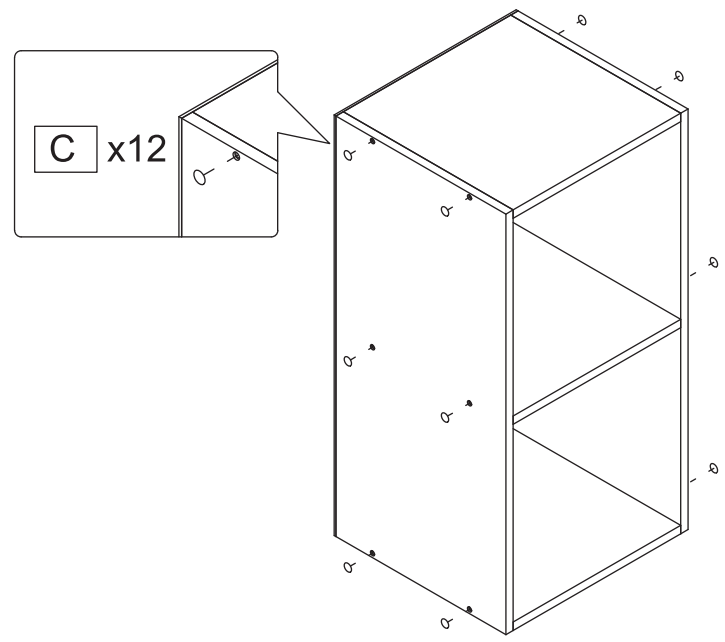
2 CUBE SHELVING

ITEM CODE: G-0563
Assembly Instruction

STEP 3



STEP 4



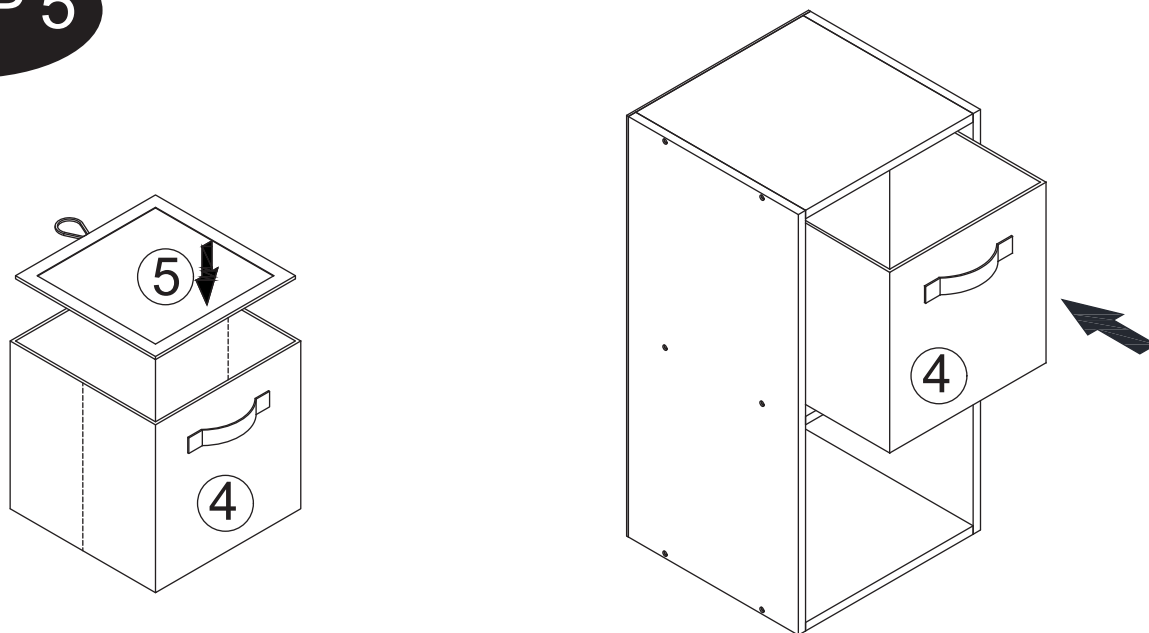
Max. Loading: 15kg

2 CUBE SHELVING

ITEM CODE: G-0563

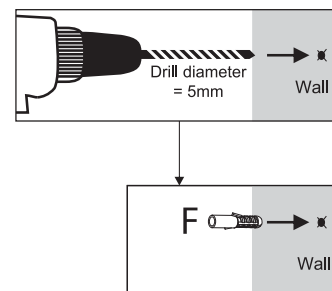
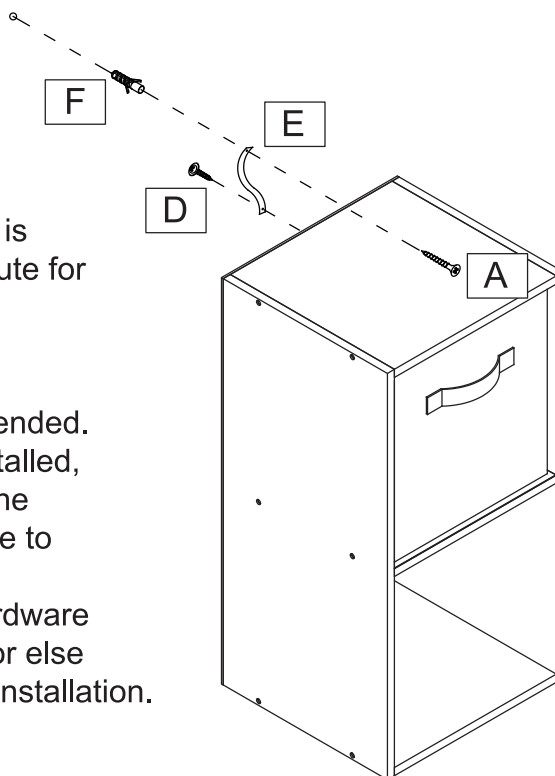
Assembly Instruction

STEP 5



STEP 6

WARNING: Anti-tipping hardware is only a deterrent. It is not a substitute for proper adult supervision. Young children may be injured by tipping furniture and the use of a tipping restraint is highly recommended. This hardware, when properly installed, could provide protection against the unexpected tipping of furniture due to improper use. Please ensure the anti-tipping hardware provided is suitable for your wall or else it might damage your wall during installation.



Max. Loading: 15kg

5 - 6

Made in China
Manufactured for Gill HK Limited BD4 9SW
www.gillhk.com

2 CUBE SHELVING

ITEM CODE: G-0563

Assembly Instruction




Safety Advice and Care Advice


KEEP ALL THE SAFETY ADVICE AND INSTRUCTIONS IN A SAFE PLACE FOR FUTURE REFERENCE!

WARNING! RISK OF LOSS OF LIFE OR ACCIDENT

TO INFANTS AND CHILDREN! Never leave children unsupervised with the packaging materials. Danger of suffocation.

 **CAUTION! RISK OF INJURY!** Make sure that all parts are undamaged and assembled correctly. Improper assembly carries a risk of injury. Damaged parts may affect the safety and function of the product.

- Make sure that this product is standing on a solid, level surface.

 **CAUTION!** Do not leave children unsupervised! The product is not a climbing frame or a toy! Make sure that nobody, especially a child, climbs on or leans against the product.

- Distribute weight evenly across the product so that it cannot overturn.
- Do not load more than a total of 15kg onto the product, otherwise there is a risk of injury and/or damage to the product.
- Check that the product is stable before using it.
- Do not lift or move the product when it is loaded.
- Keep away from fire and inflammable objects.
- **Wipe clean with a damp cloth.**
- Make sure that all screws and fixings are secure before use.
- Do not place very hot or very cold items on the surface(s) unless adequately thick table mats are used.
- Please periodically check all fittings and re-tighten as necessary.
- Domestic use only.
- Never allow any kind of liquid to remain on your furniture.



PLEASE DO NOT IRON OR WASH THE BASKETS