

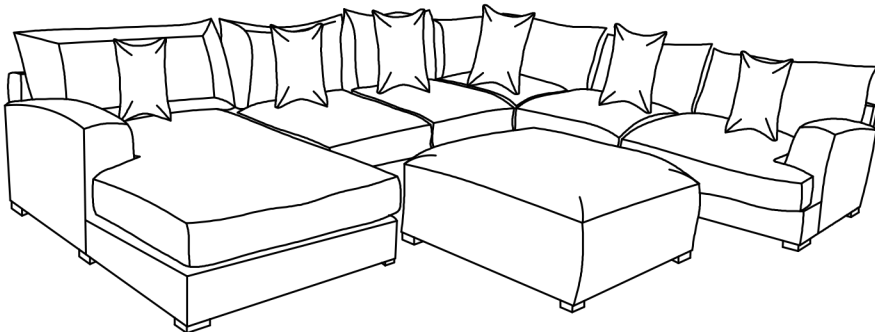
ASSEMBLY INSTRUCTIONS

TOOLS REQUIRED



Phillips
Screwdriver

(Not Included)



2 - People
Recommended

ASSEMBLY RATING



EASY ————— DIFFICULT

The Assembly Rating is a 5-point system showing the level of effort needed to assemble a specific product.



CHECK BEFORE STARTING

Are you missing anything?

Double-check all parts, hardware and accessories listed on Page 6 are accounted for.

Check out our Quick Tips!

We recommend reviewing the pre-assembly handouts. Even experts need a refresher now and then!

Should we send any replacements?

Are there any irregularities or flaws in the parts? We can send replacements!

Prep Time!

Please review the assembly instructions and all diagrams prior to assembling. Arrange parts as recommended on Page 7 and group identical hardware together to make assembling easier.

PRE ASSEMBLY INTRODUCTION

We understand building ready-to-assemble furniture can be a challenging experience for some. To help avoid confusion, we have provided some helpful tips that may speed up the process.



Teamwork

ALWAYS have at least two people to help with transporting and assembling the product to avoid potential injury and/or damage.



Suitable Location

Assembling near the area of the intended location is highly recommended.



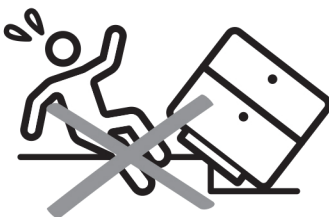
Sufficient Space

Make sure you have enough space to move around during the assembly.



Avoid Scratches

Use cardboard, blankets or a carpeted area while assembling furniture to prevent scratches.



Flat Surface

Make sure the furniture rests on a flat and level surface with each leg evenly touching the floor.

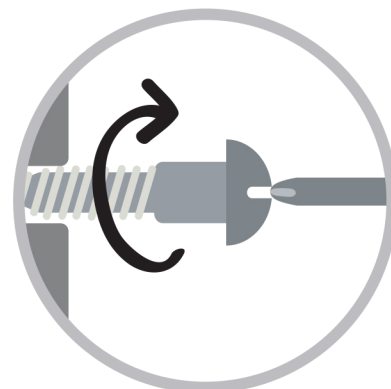
ASSEMBLY AND CARE ADVICE



FAILURE TO FOLLOW THE GUIDELINES BELOW MAY RESULT IN INJURY AND/OR PROPERTY DAMAGE.



Position each part correctly and insert screws or bolts into their respective holes.



Turn clockwise to tighten and only tighten when step is completed or when instructed to do so.



Use the appropriate hand tools or power tools for assembly. Select steps, such as tightening screws and/or bolts, may require hand tools to avoid causing damage during assembly.



Save the instructions and store any supplied tools for later maintenance.



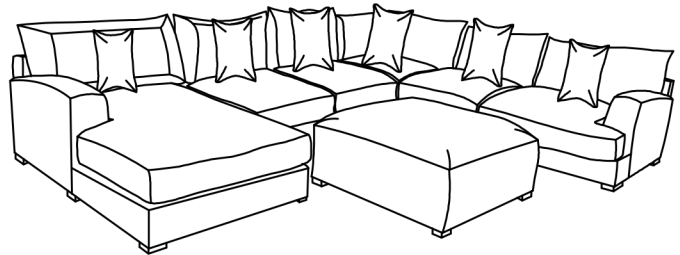
After two weeks, check and tighten any loose hardware and repeat again every six months thereafter.

IT IS THE USER'S RESPONSIBILITY TO MAINTAIN THE FURNITURE. THE HARDWARE MAY LOOSEN OVER TIME AND MAY CAUSE THE FURNITURE TO BE WOBBLY AND UNABLE TO SUPPORT ITS INTENDED WEIGHT CAPACITY. THIS MAY LEAD TO COLLAPSE AND MAY CAUSE SERIOUS INJURY.

SOFA



- Please keep instructions for future reference.
- Check the quantity and irregularity of parts and hardware before you start.



PARTS

#1 1pc



Left Chaise

#2 1pc



Chaise Seat Cushion

#3 1pc



Chaise Back Cushion

#4 2pcs



Armless Chair

#5 2pcs



Chair Seat Cushion

#6 2pcs



Chair Back Cushion

#7 1pc



Corner

#8 1pc



Corner Seat Cushion

#9 2pcs



Corner Back Cushion

#10 1pc



Loveseat

#11 1pc



Loveseat
Seat Cushion 1

#12 1pc



Loveseat
Seat Cushion 2

#13 1pc



Love Seat
Back Cushion 1

#14 1pc



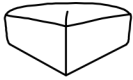
Love Seat
Back Cushion 2

#15 6pcs



Pillow

#16 1pc



Ottoman chair

#17 25pcs



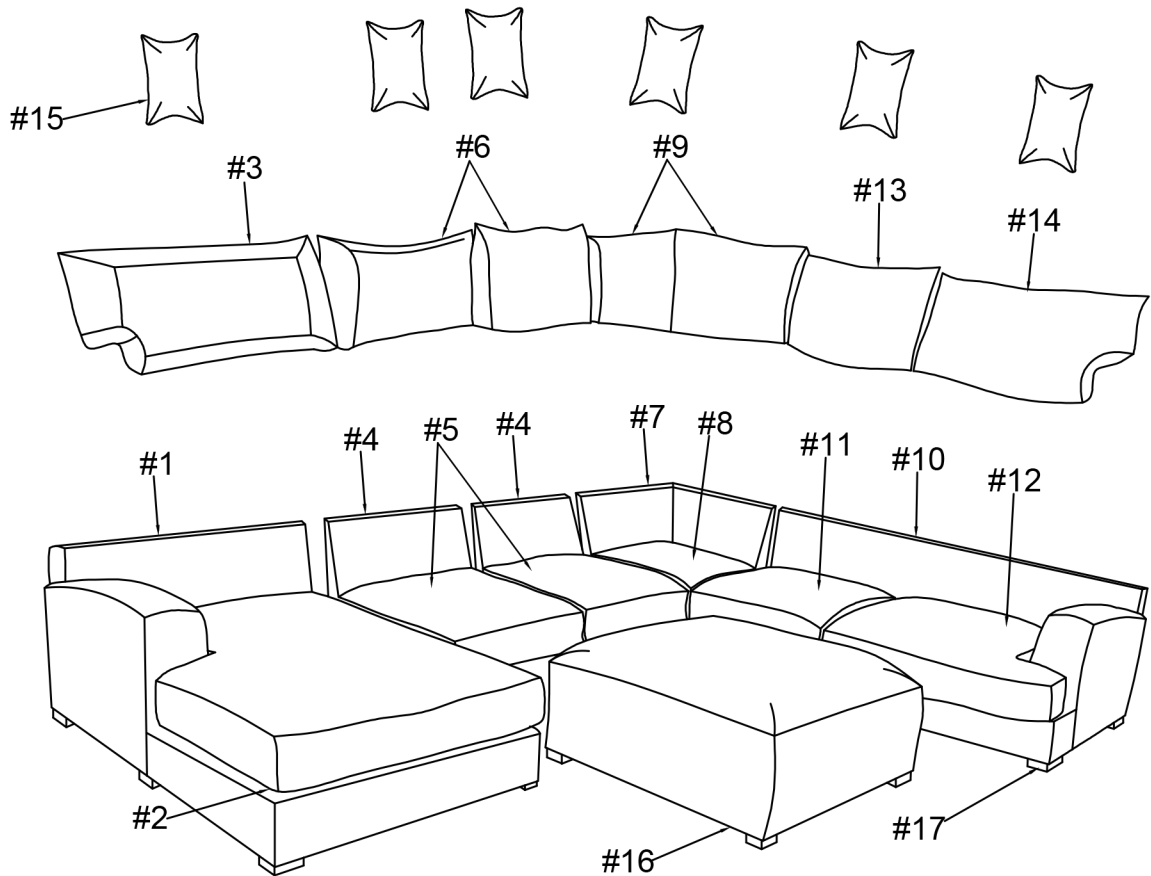
Leg

HARDWARE

#A 100pcs

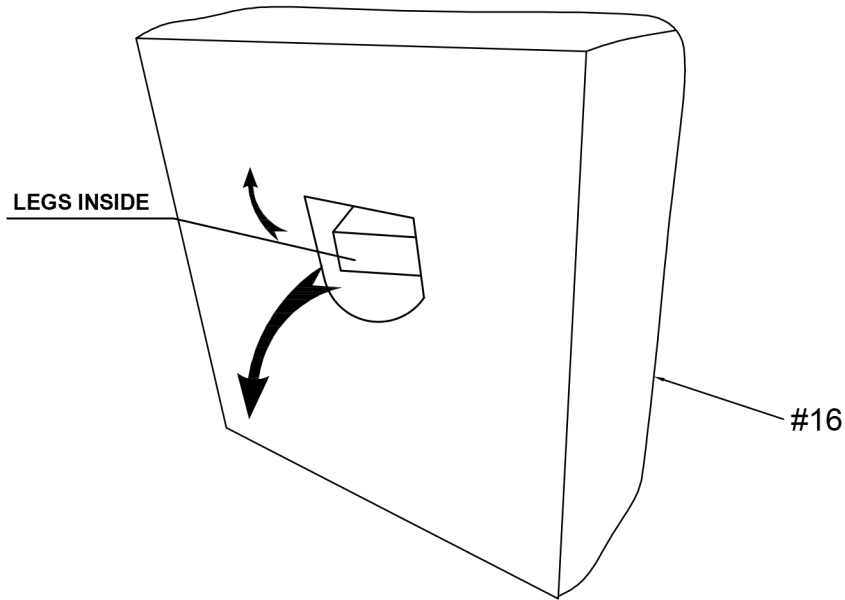


Screw #8 x 60mm



ASSEMBLY INSTRUCTIONS

1



THERE ARE NO PRE-DRILLED HOLES AT THE BOTTOM.

2

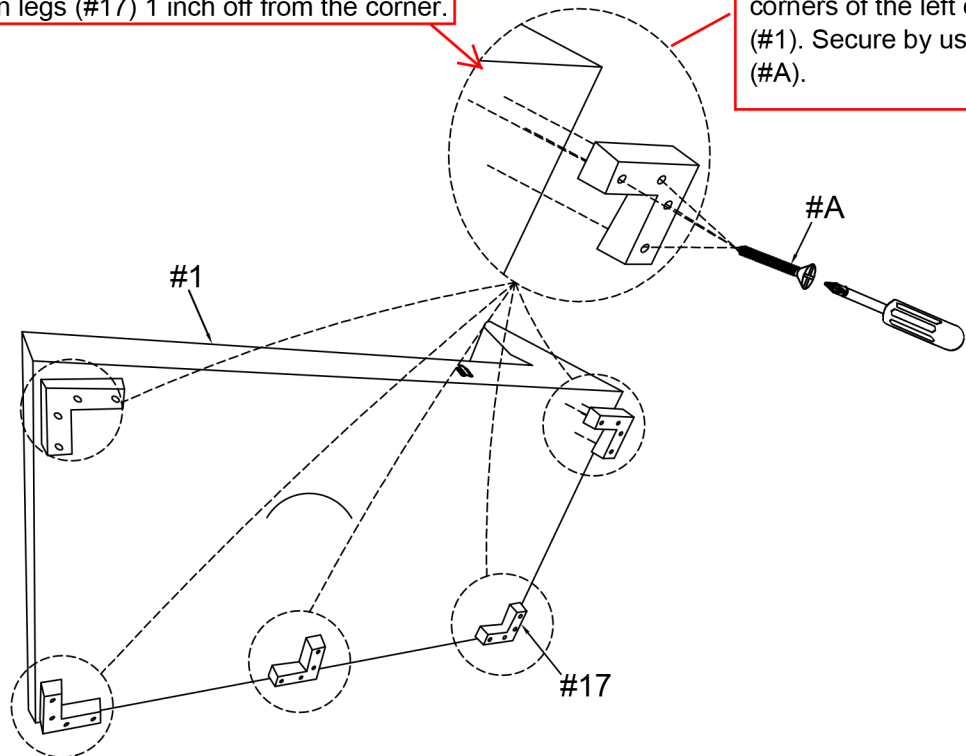
Part #1 x1pc

Part #17 x5pcs

Hardware #A x20pcs

Align legs (#17) 1 inch off from the corner.

Align legs (#17) to the corners of the left chaise (#1). Secure by using screws (#A).

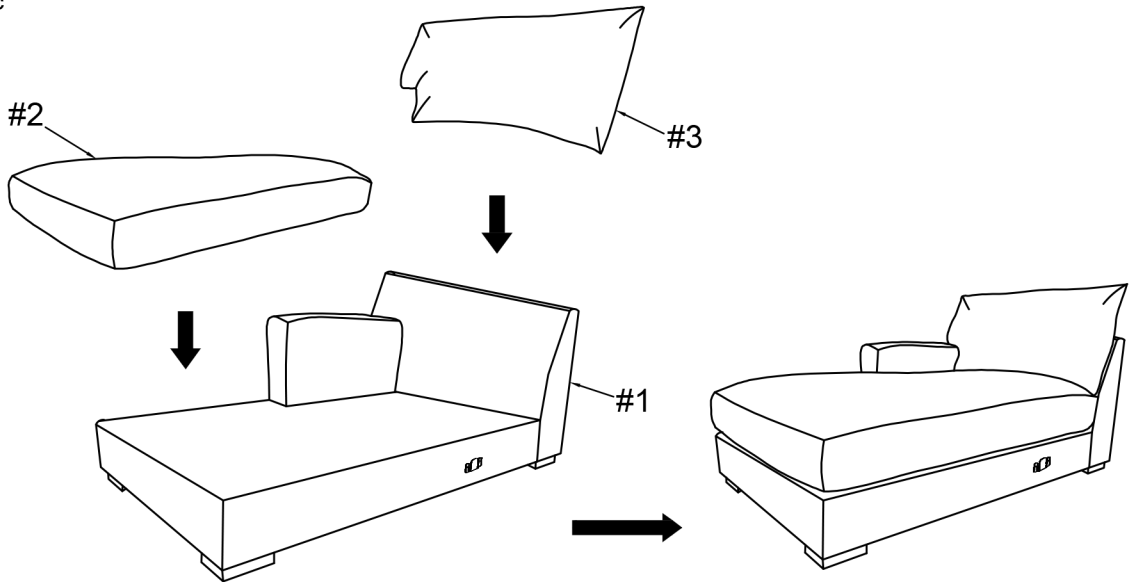


ASSEMBLY INSTRUCTIONS

3

Part #2 x1pc

Part #3 x1pc



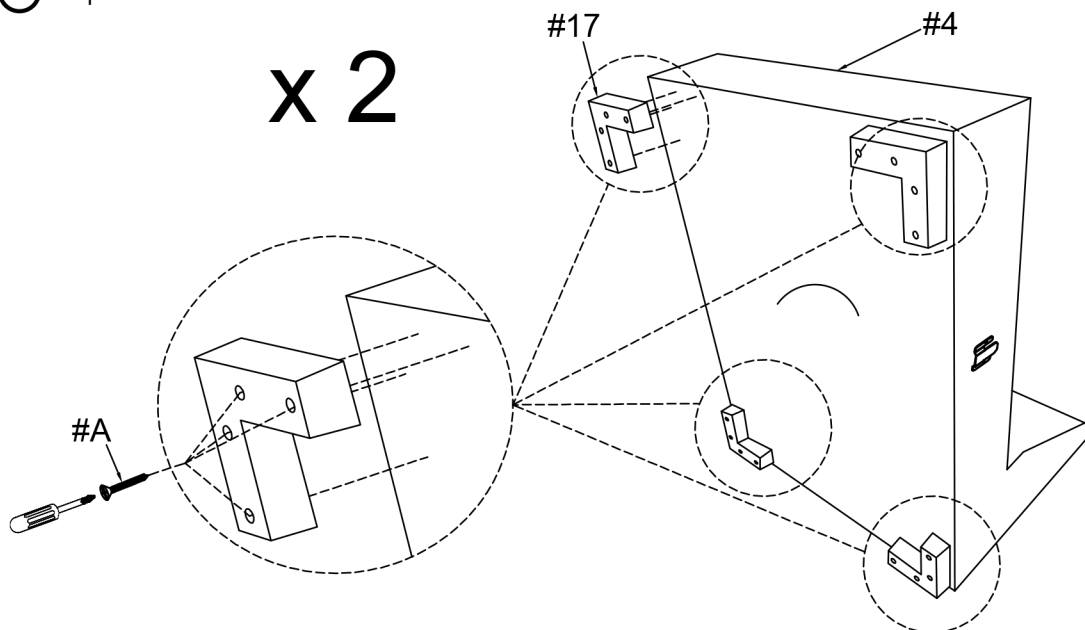
4

Part #4 x1pc

Part #17 x4pcs

Hardware #A x16pcs

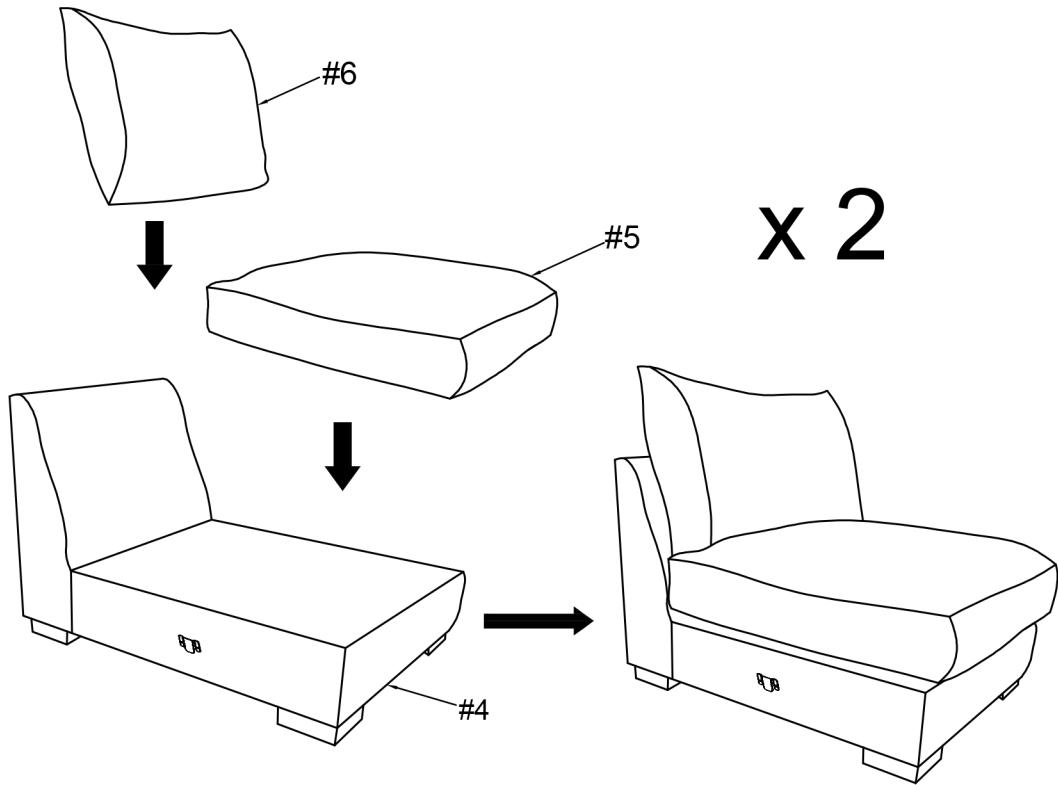
Align legs (#17) to the corners of the armless chair (#4). Secure by using screws (#A).



ASSEMBLY INSTRUCTIONS

5

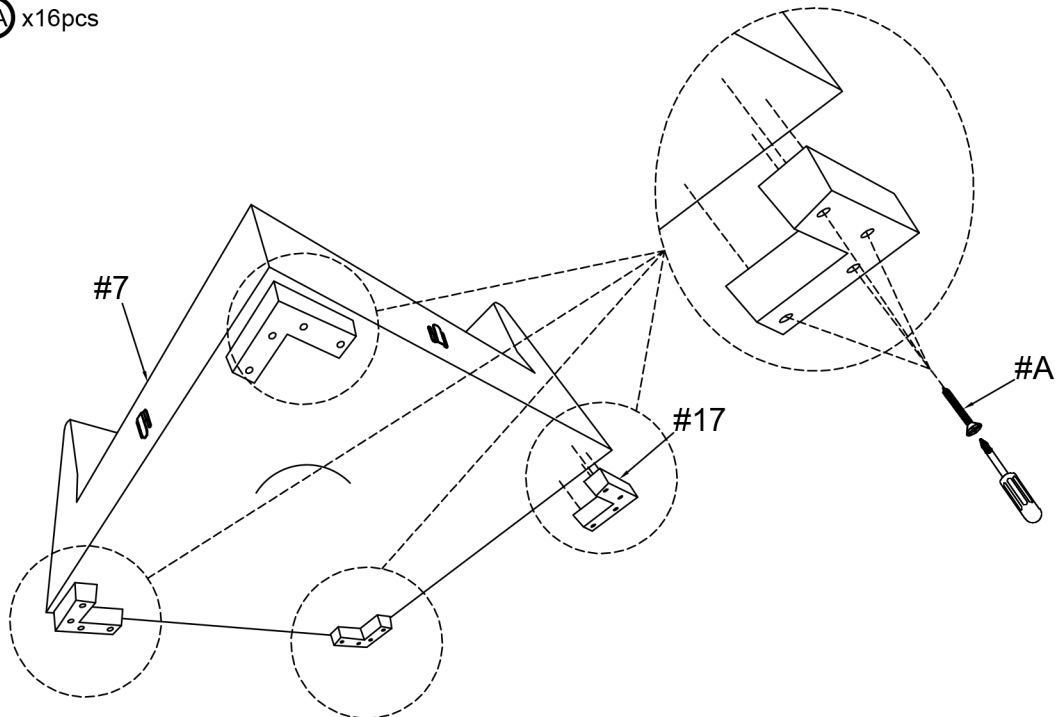
Part #5 x1pc
Part #6 x1pc



6

Part #7 x1pc
Part #17 x4pcs
Hardware #A x16pcs

Align legs (#17) to the corners of the corner (#7). Secure by using screws (#A).

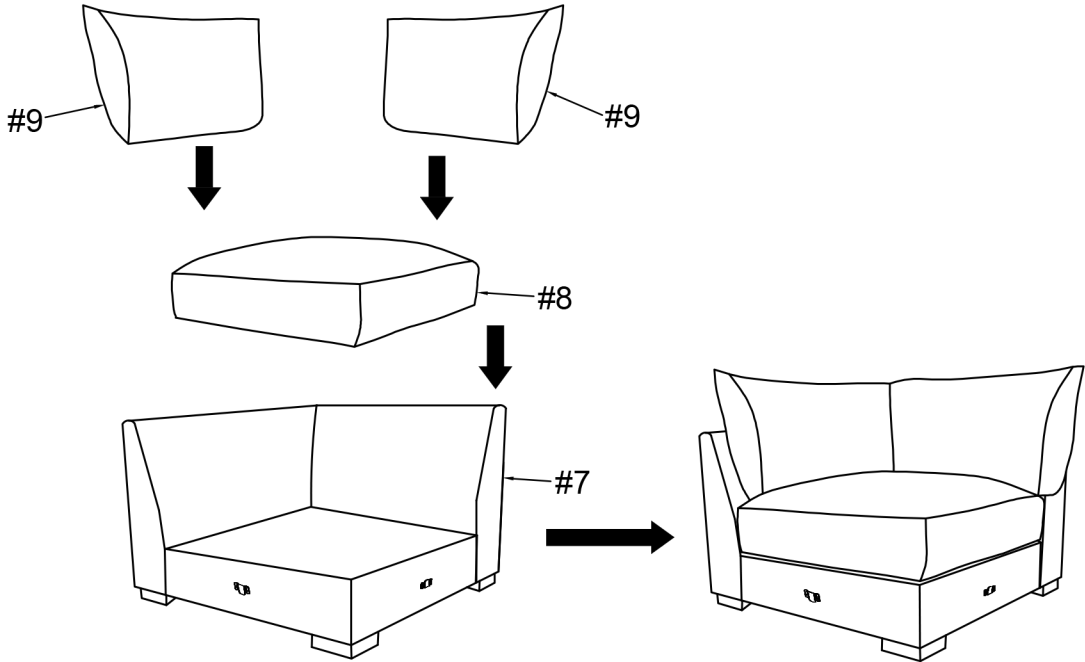


ASSEMBLY INSTRUCTIONS

7

Part #8 x1pc

Part #9 x2pcs

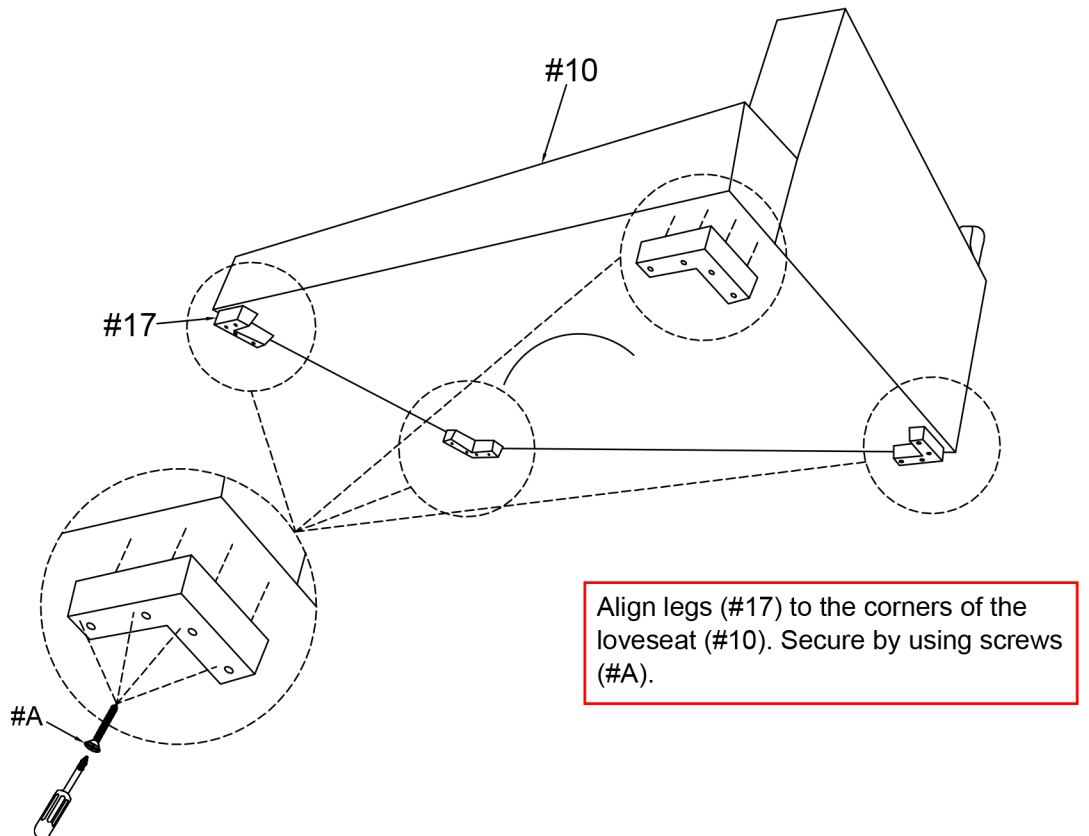


8

Part #10 x1pc

Part #17 x4pcs

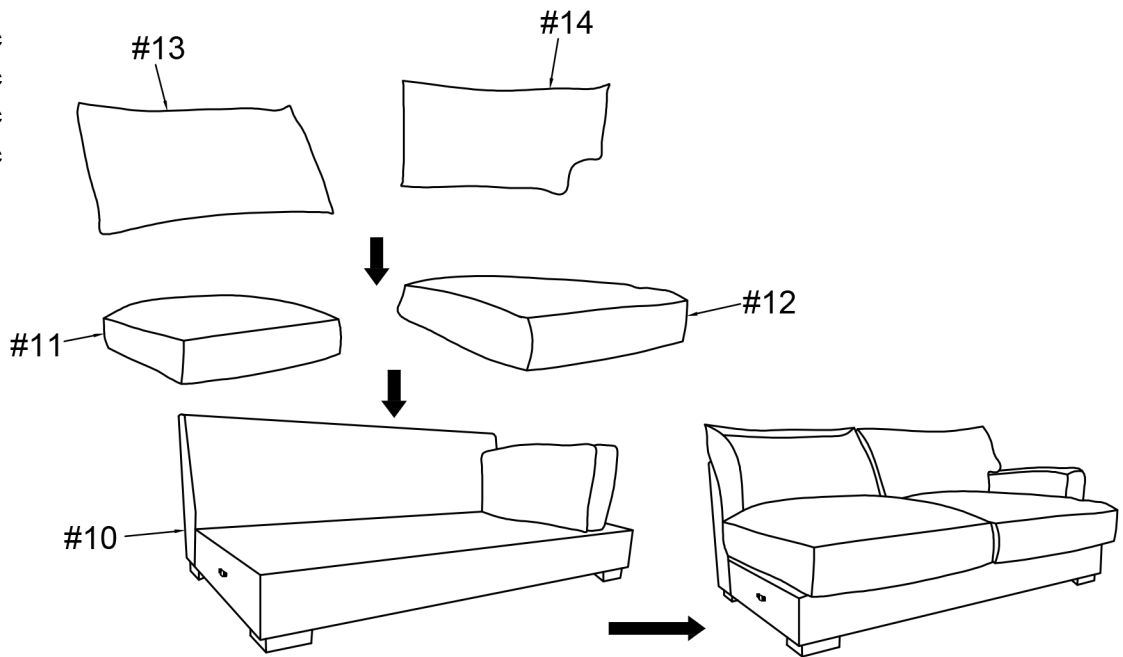
Hardware #A x16pcs



ASSEMBLY INSTRUCTIONS

9

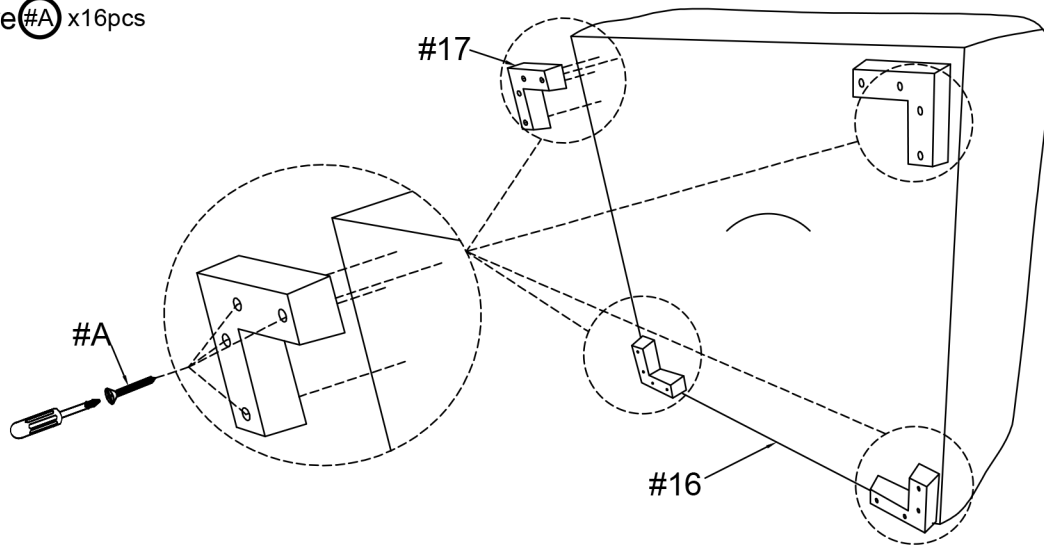
- Part #11 x1pc
- Part #12 x1pc
- Part #13 x1pc
- Part #14 x1pc



10

- Part #16 x1pc
- Part #17 x4pcs
- Hardware #A x16pcs

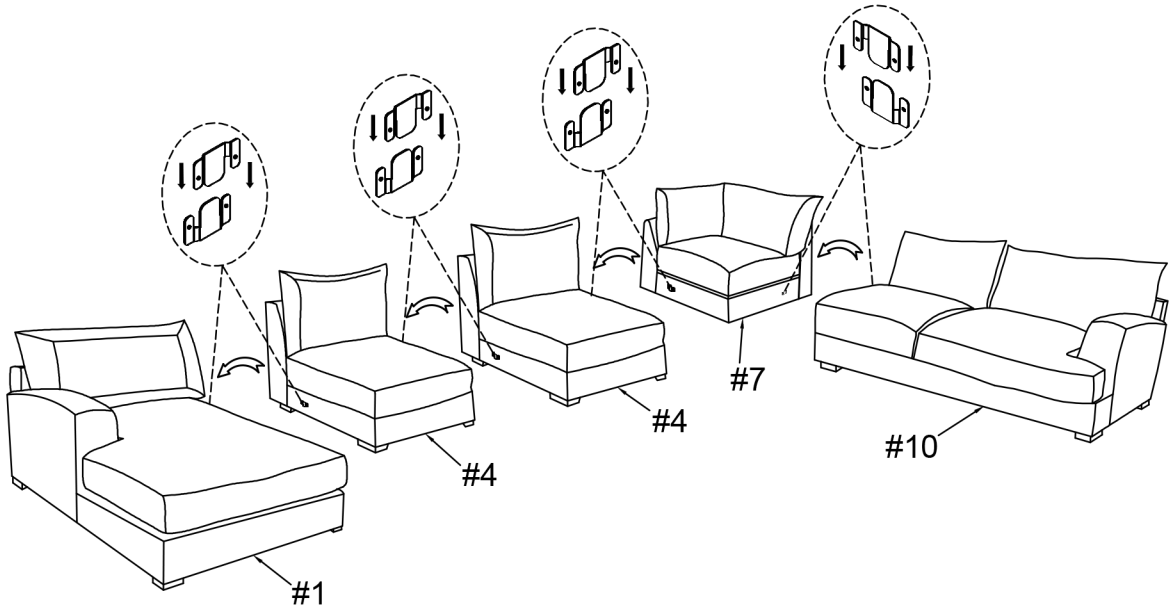
Align legs (#17) to the corners of the ottoman chair (#16). Secure by using screws (#A).



ASSEMBLY INSTRUCTIONS

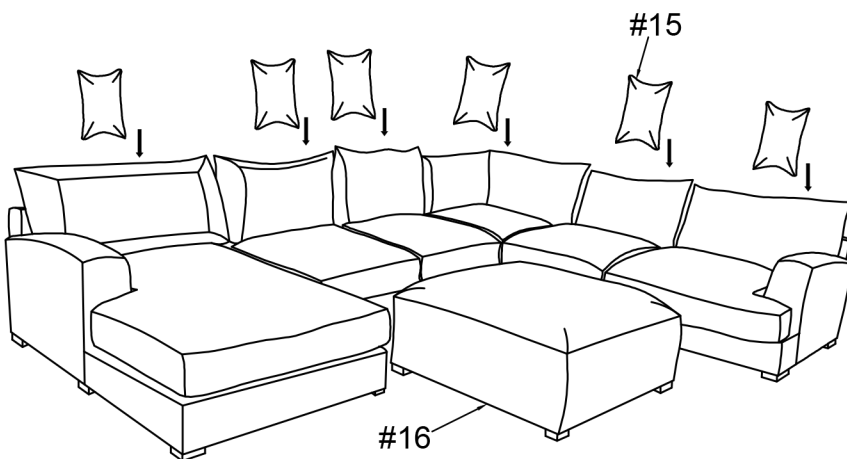
11

Align and hook the metal brackets together.



12

Part #15 x6pcs



ASSEMBLY COMPLETED



Please ensure the furniture rests on an even and flat surface. If the product wobbles or feels loose, double-check all bolts and/or screws are properly tightened and secured.

Keep this handy!

Please retain this instruction manual and any order-related information for future reference.

Lift, don't drag!

To avoid damage to product please always LIFT the product when transporting or adjusting the placement.