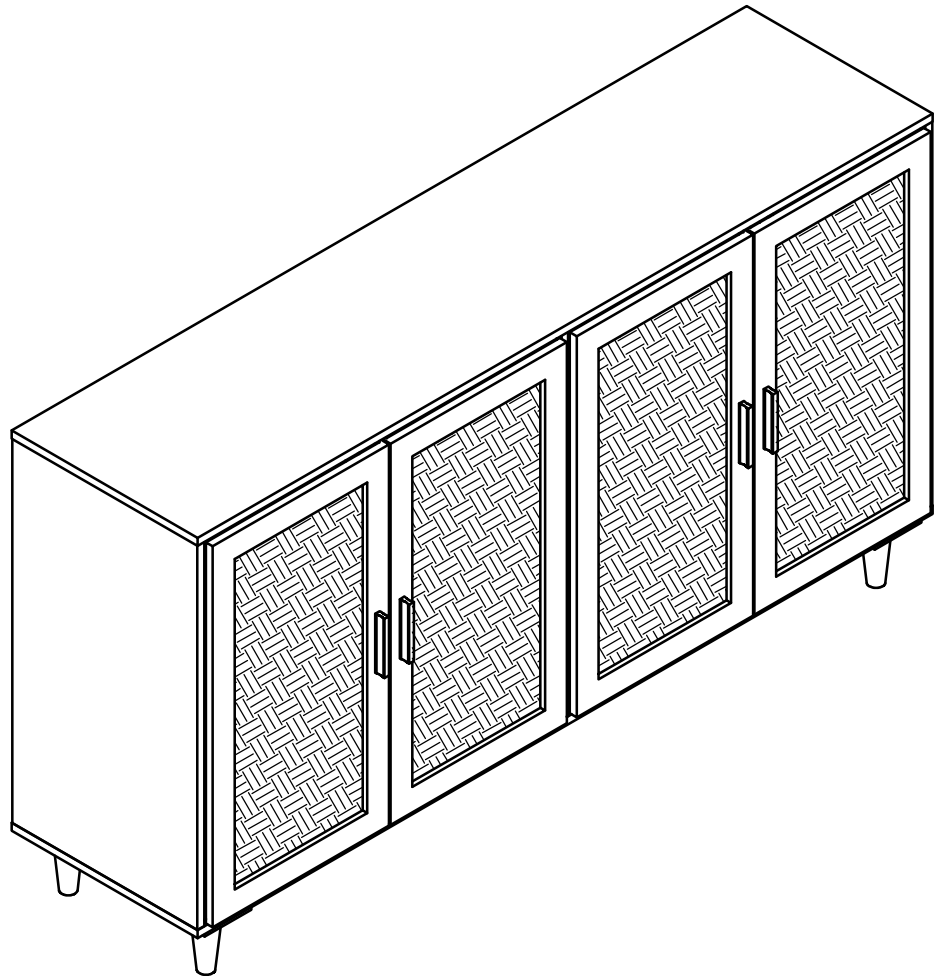
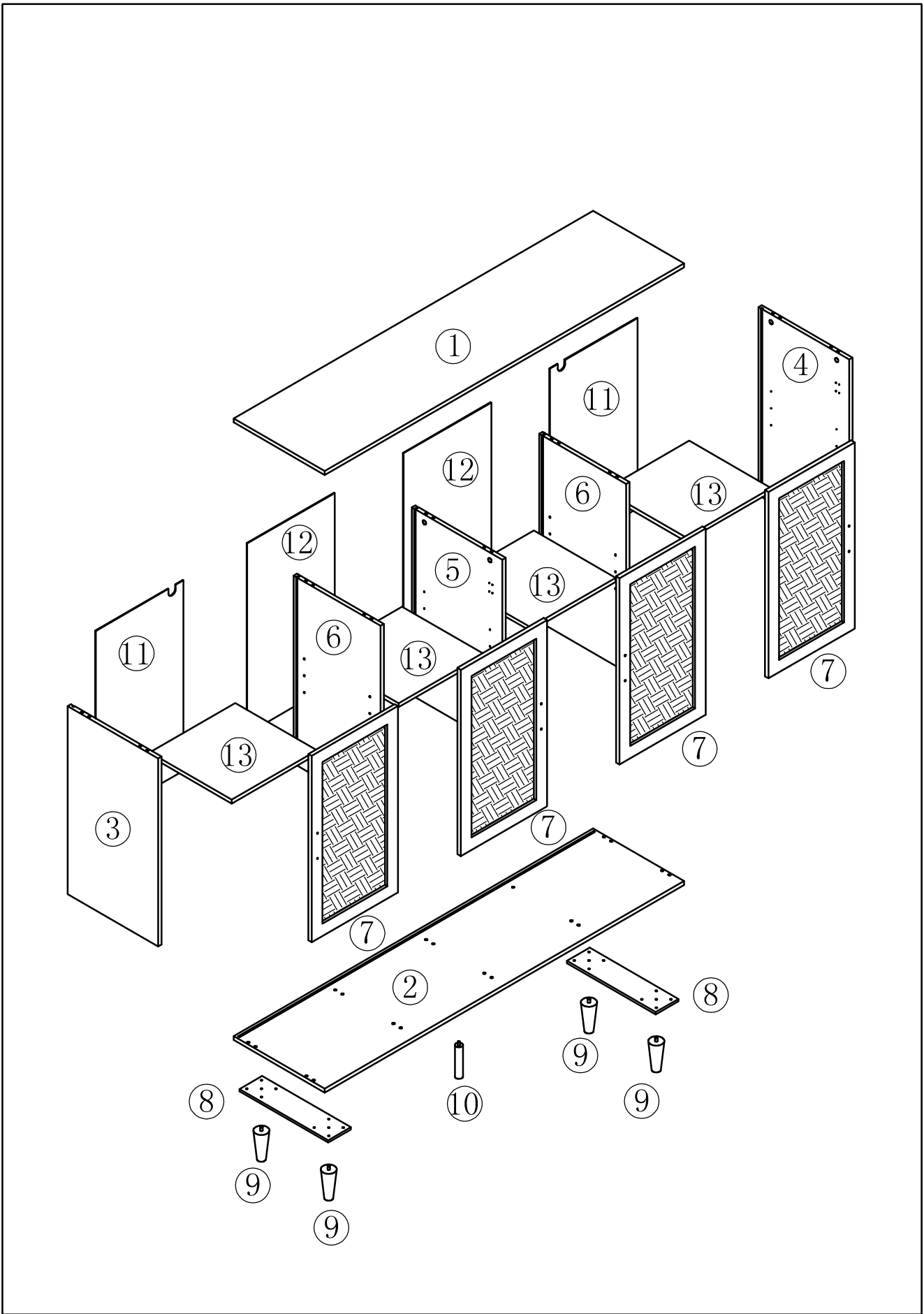
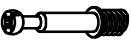









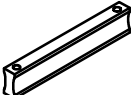



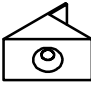




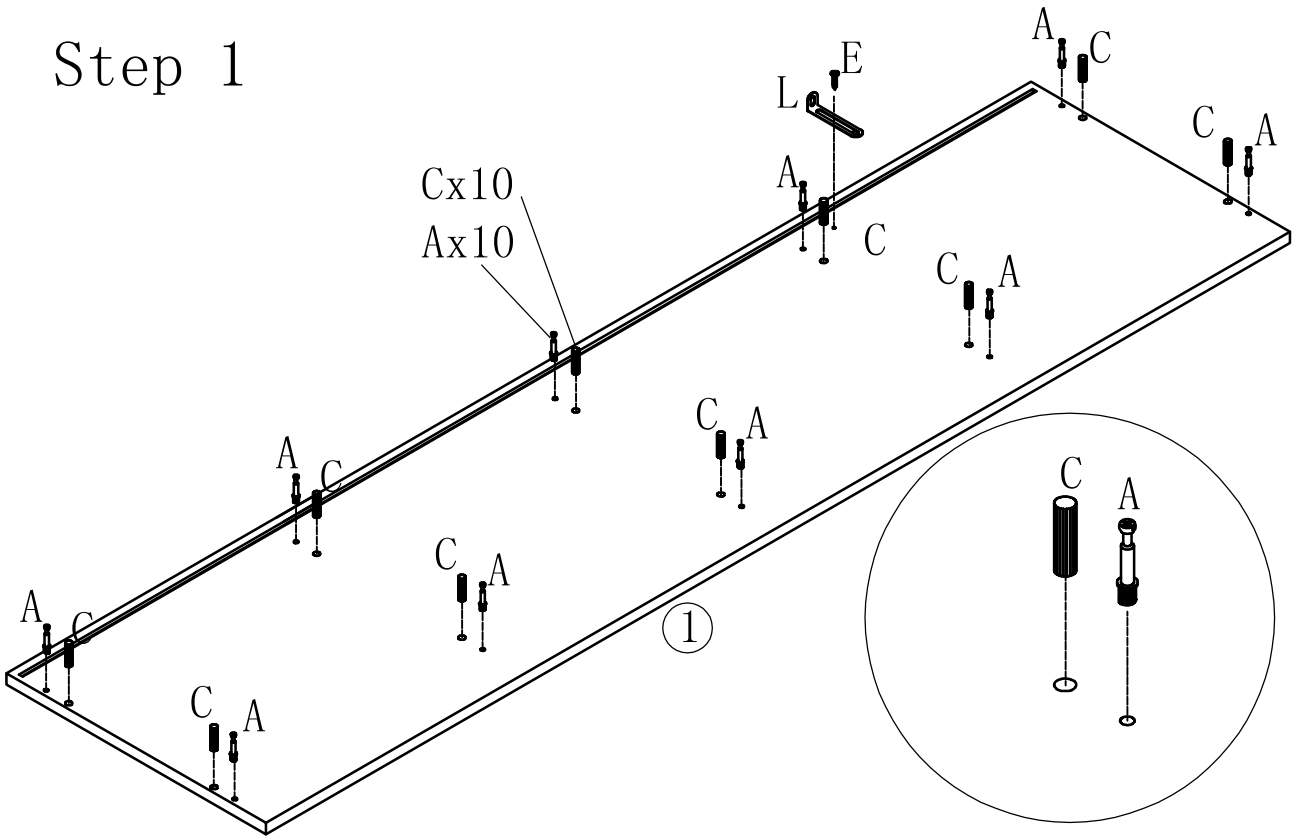
Installation & Assembly



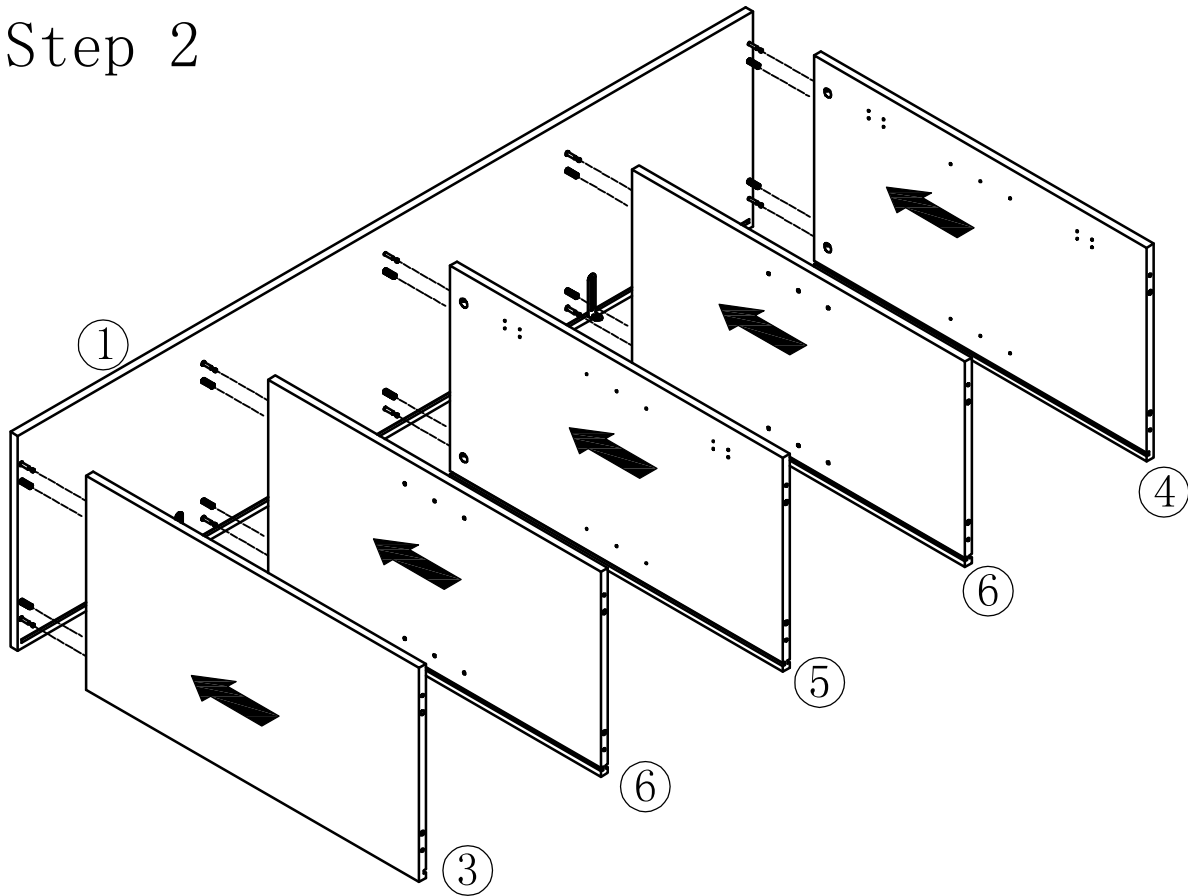


A	B	C	D	E
				
10	10	20	10	3.5x14 65
F	G	H	I	J
				
4x35 1	16	8	8	3.5x25 16
K	L	M	N	0
				
4	1	1	4	16
P	Q			
				
1				

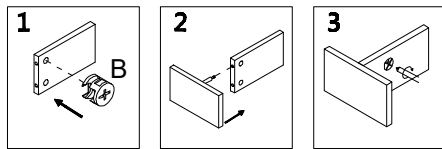
Step 1



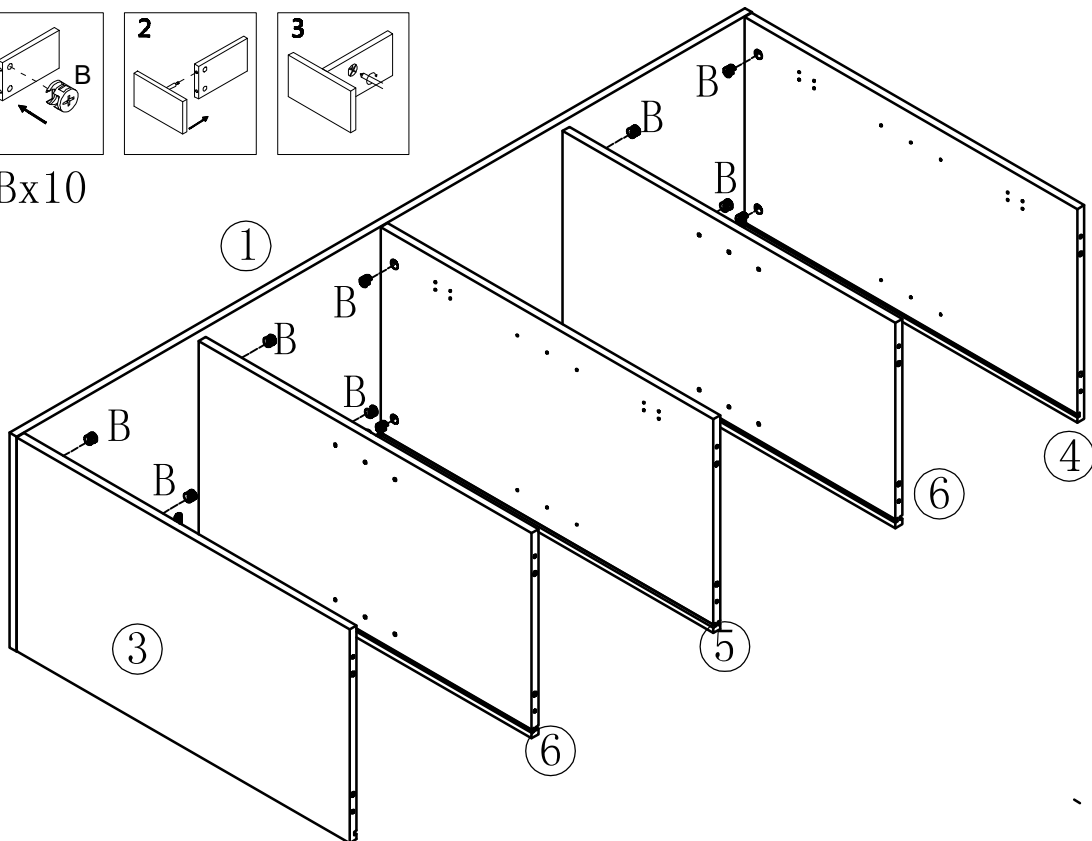
Step 2



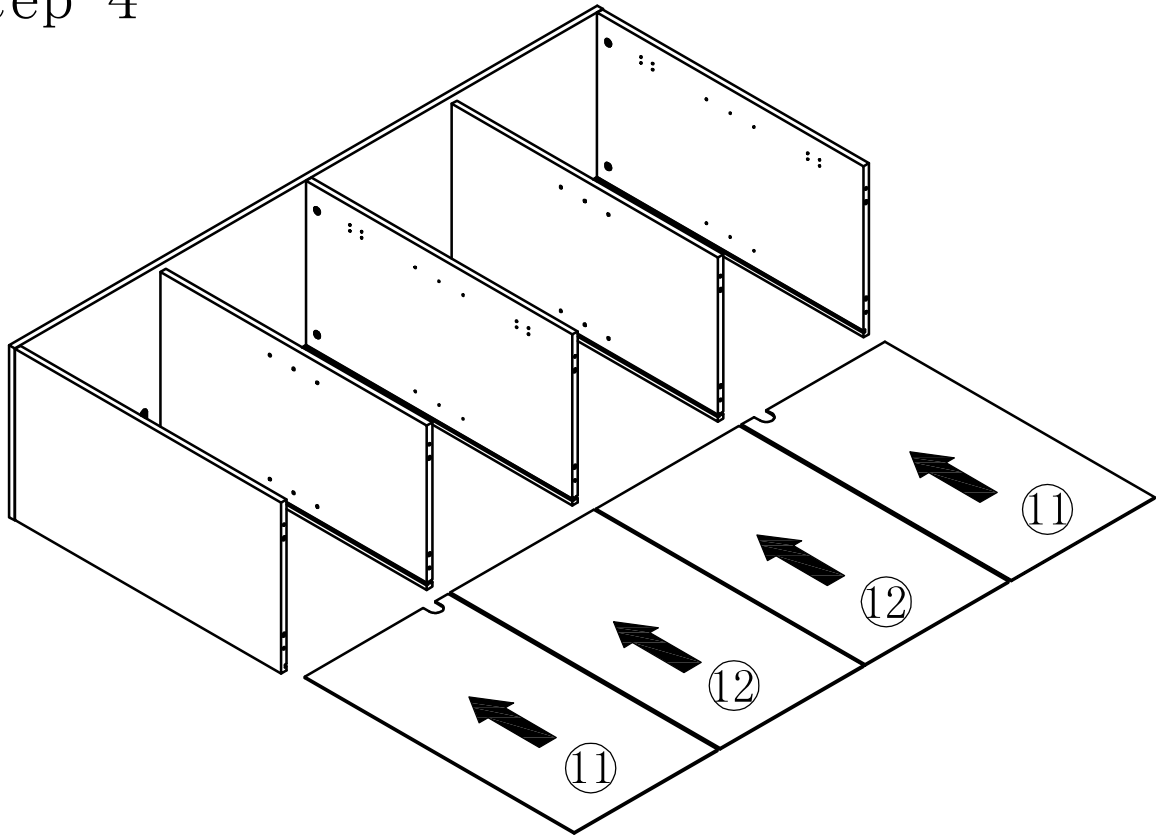
Step 3



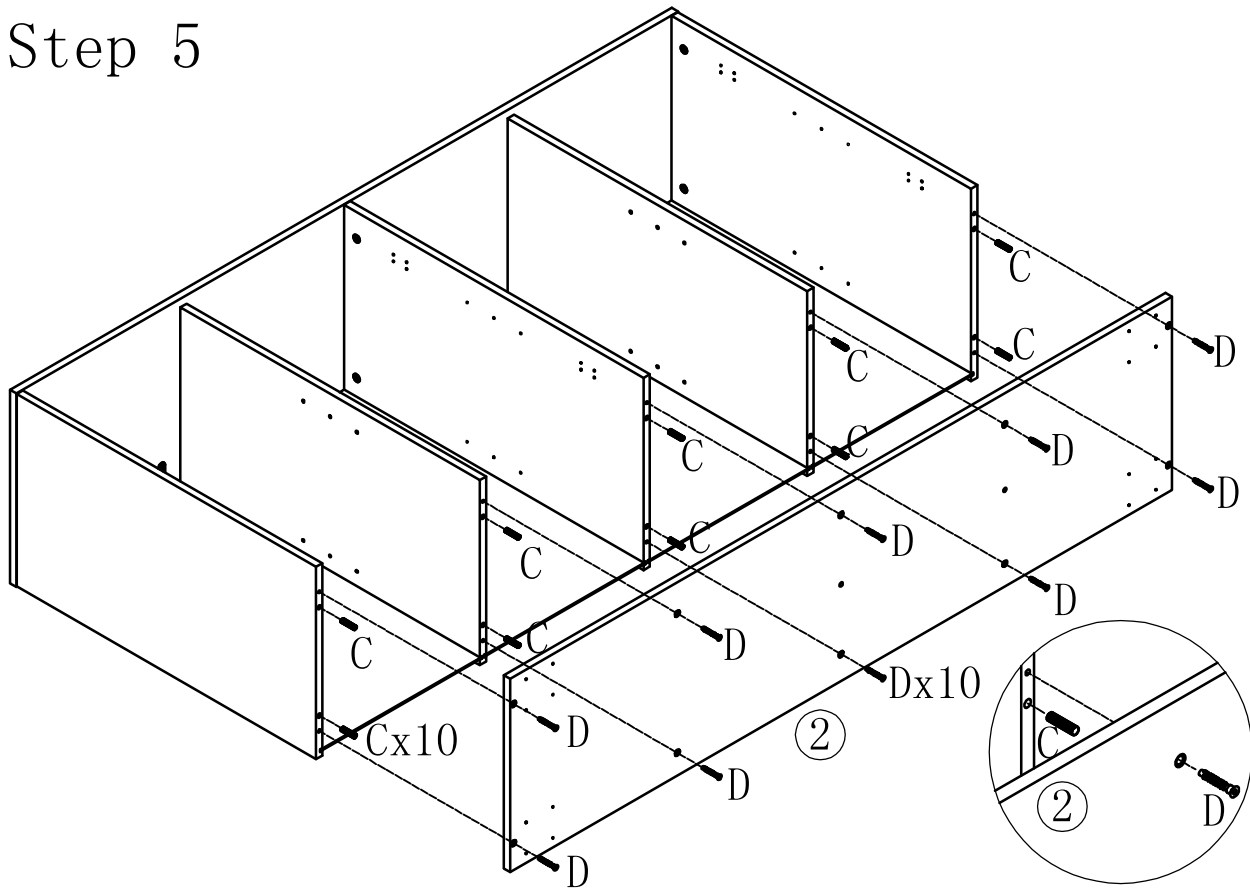
Bx10



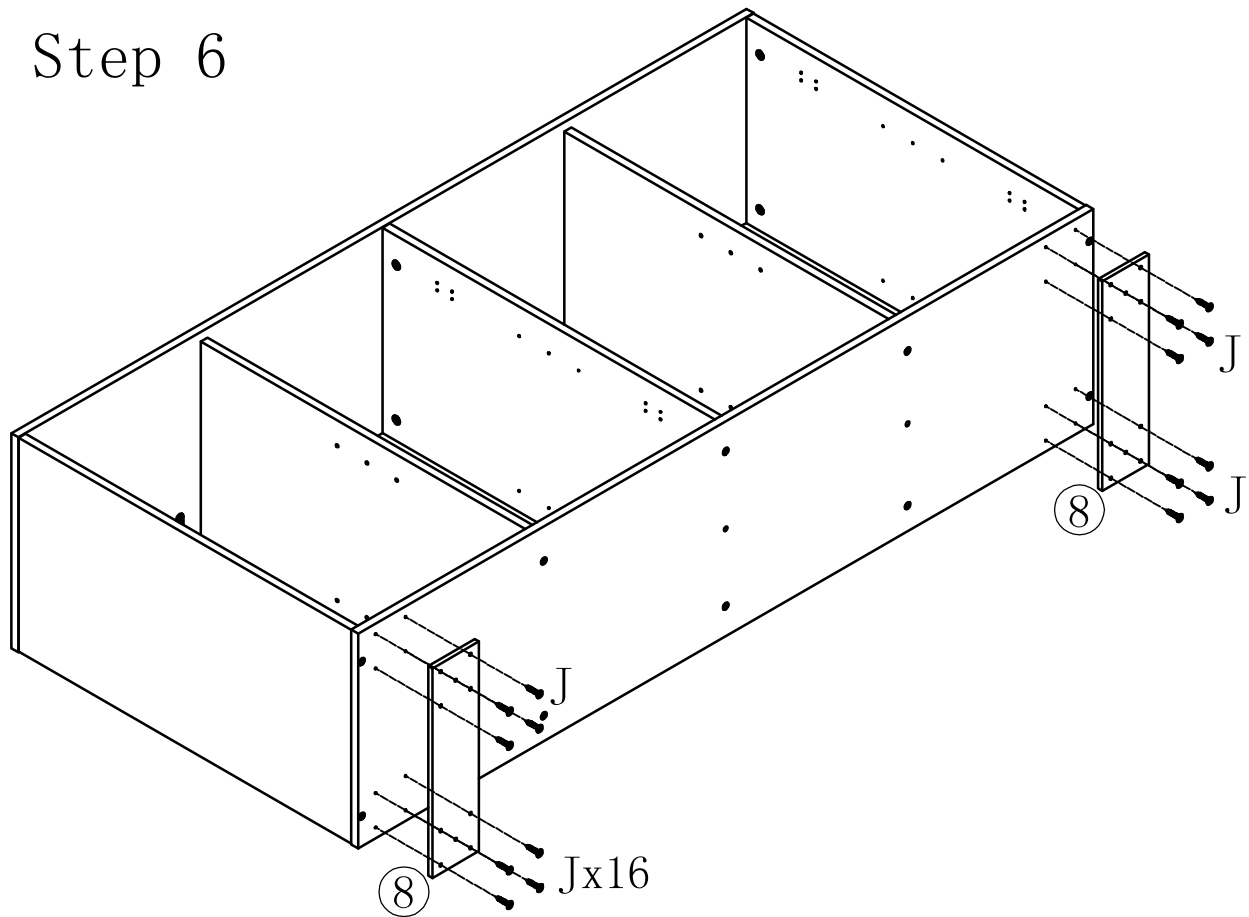
Step 4



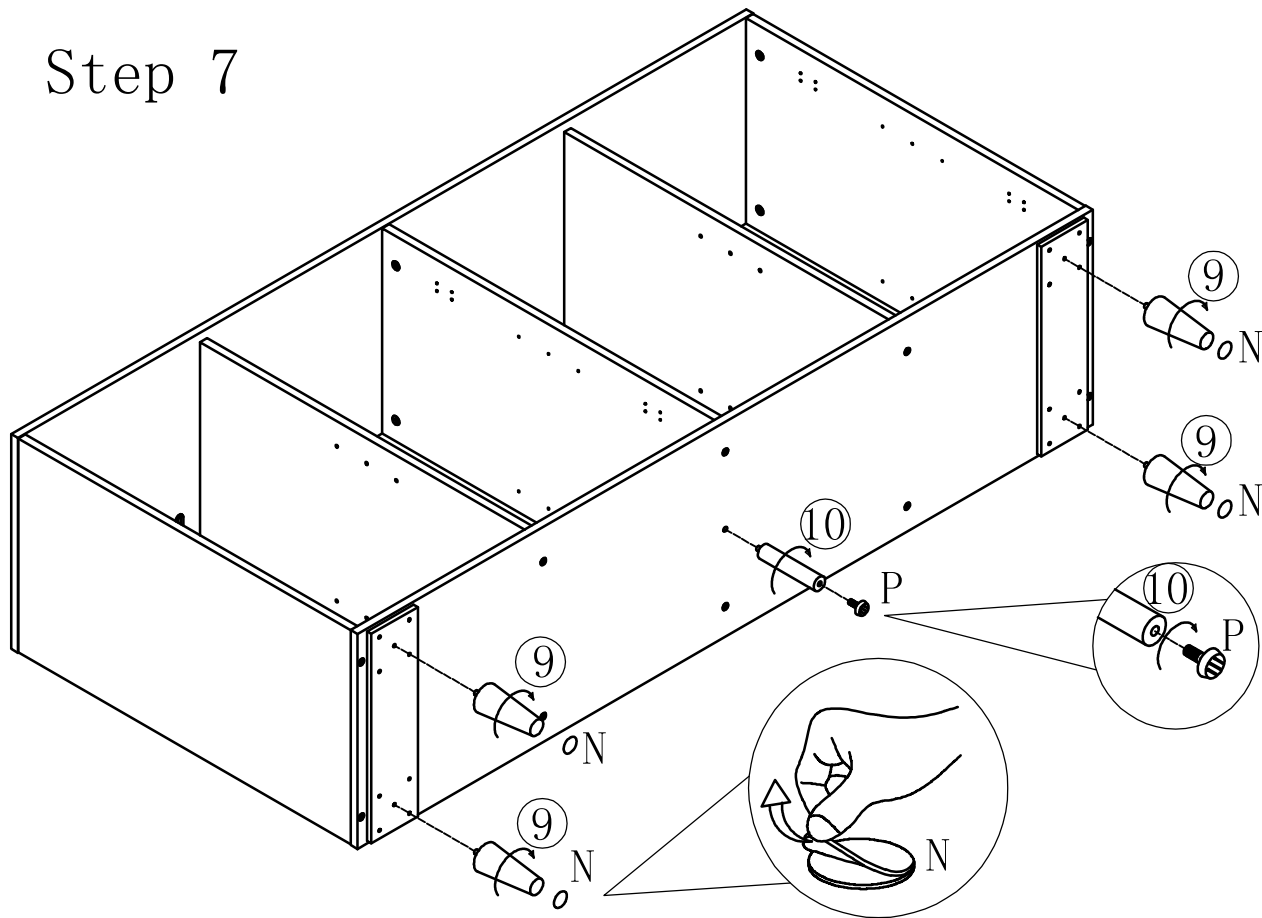
Step 5



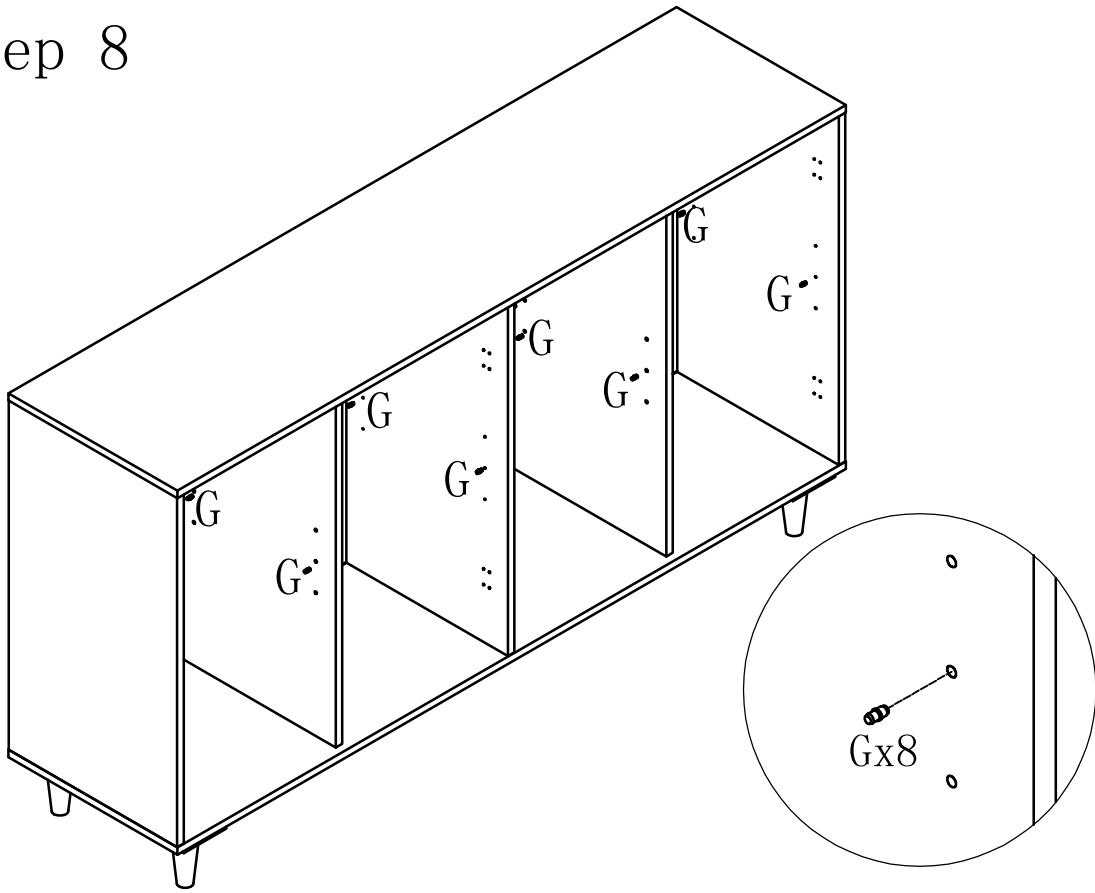
Step 6



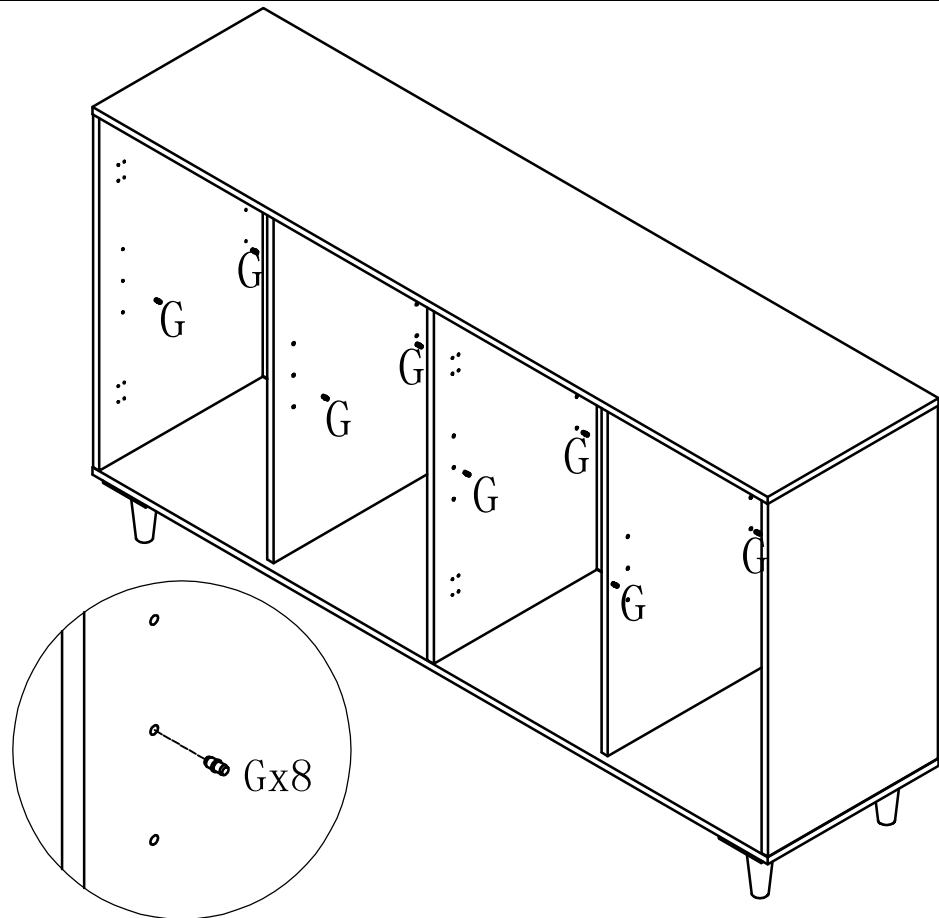
Step 7



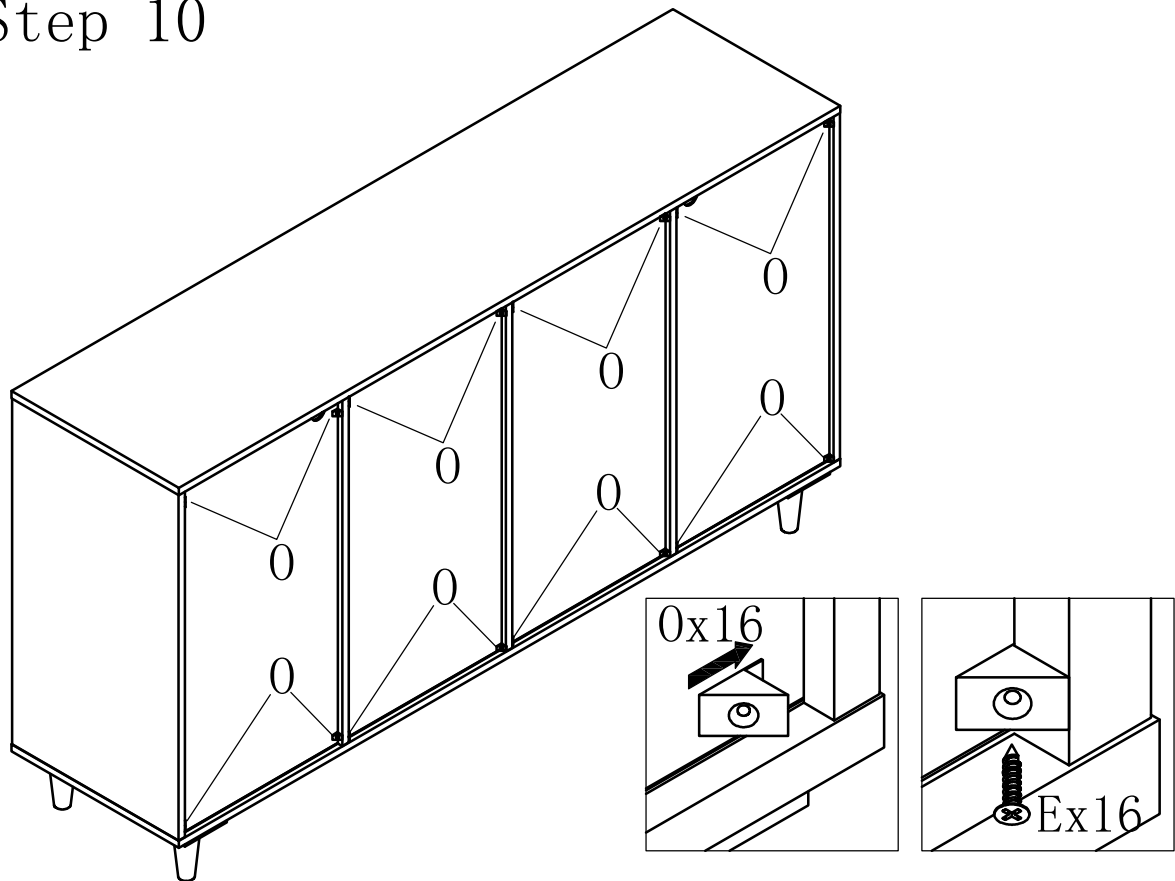
Step 8



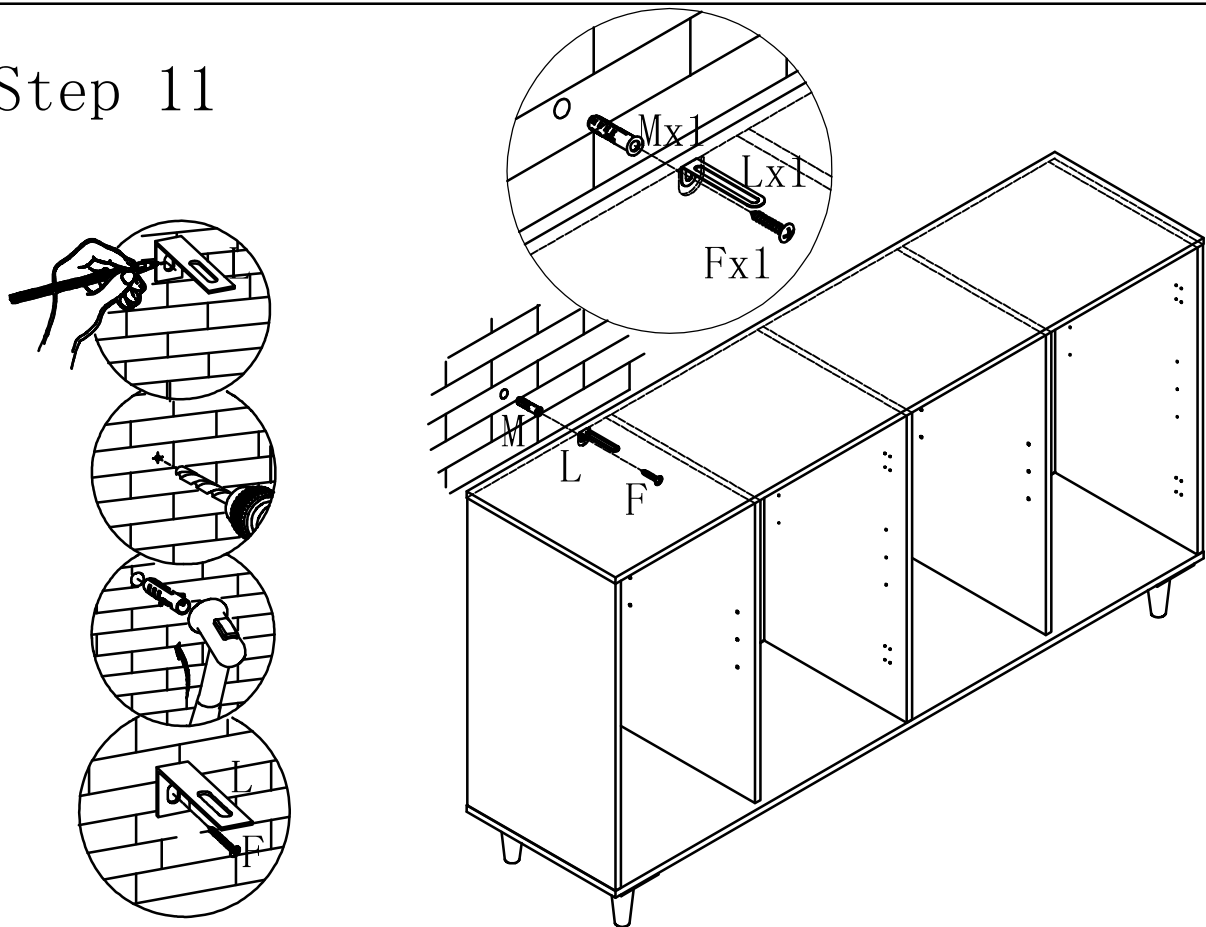
Step 9



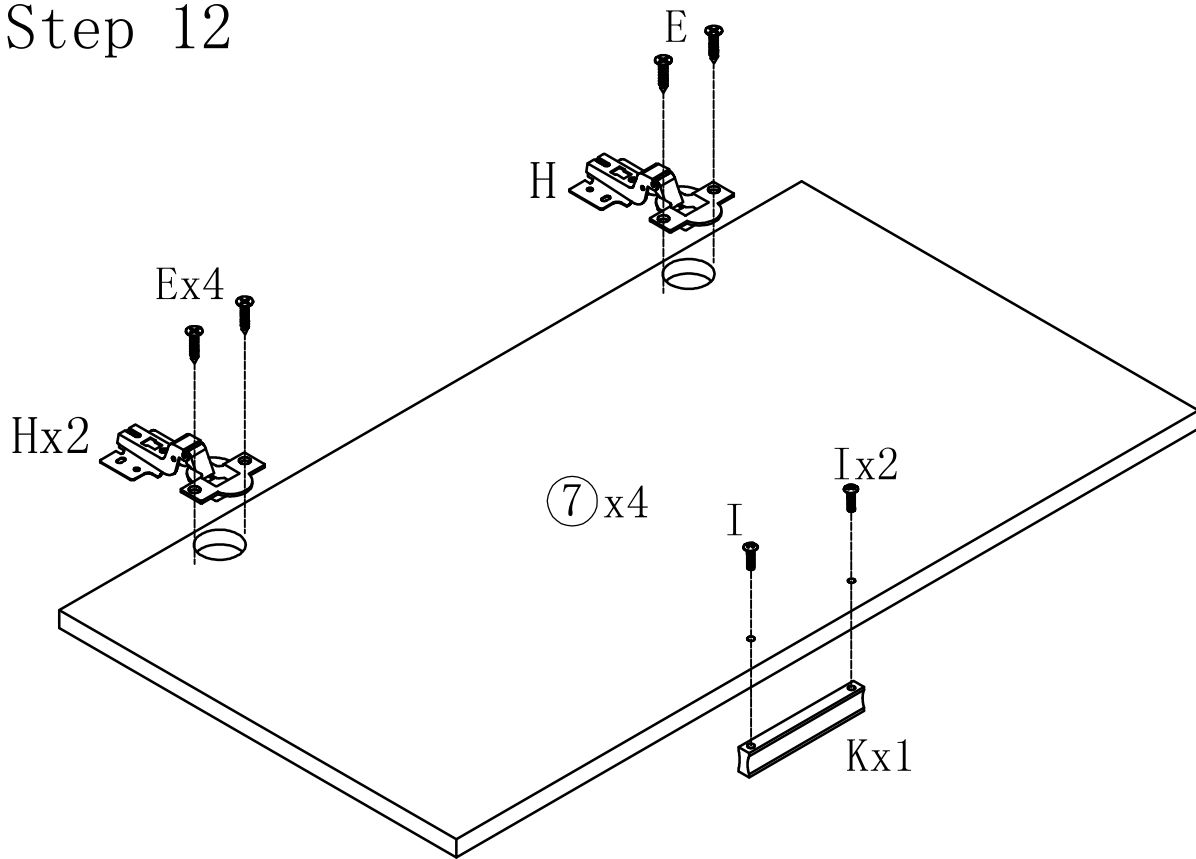
Step 10



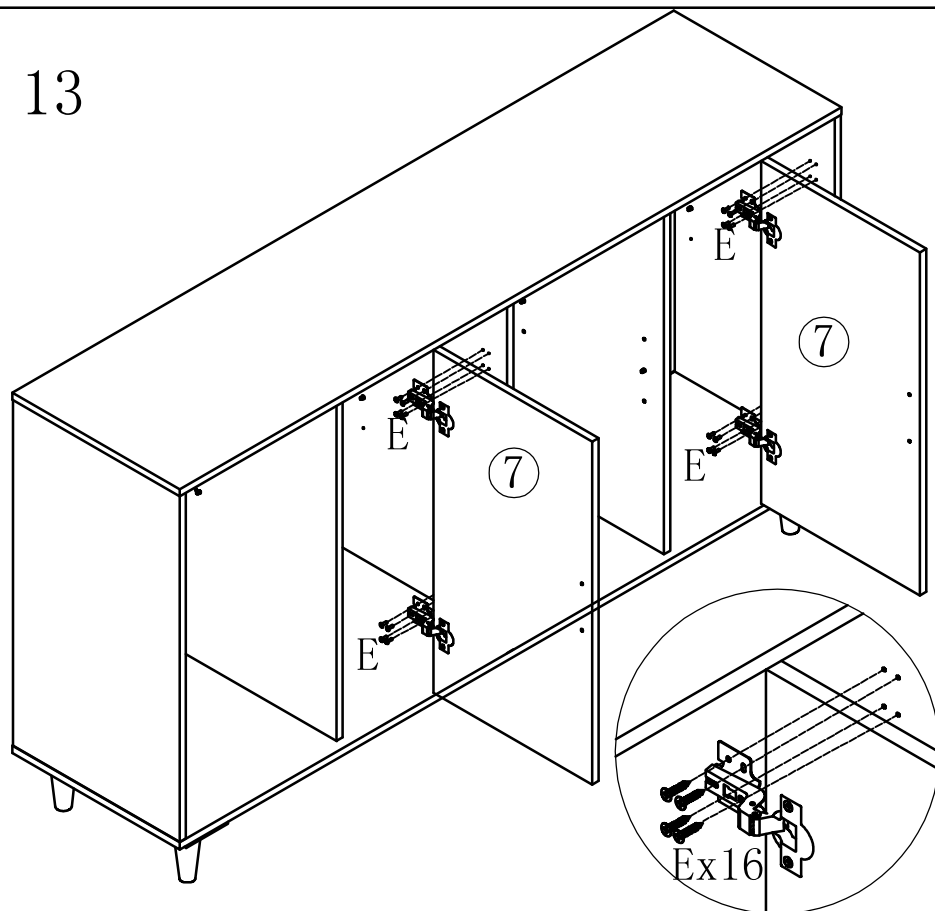
Step 11



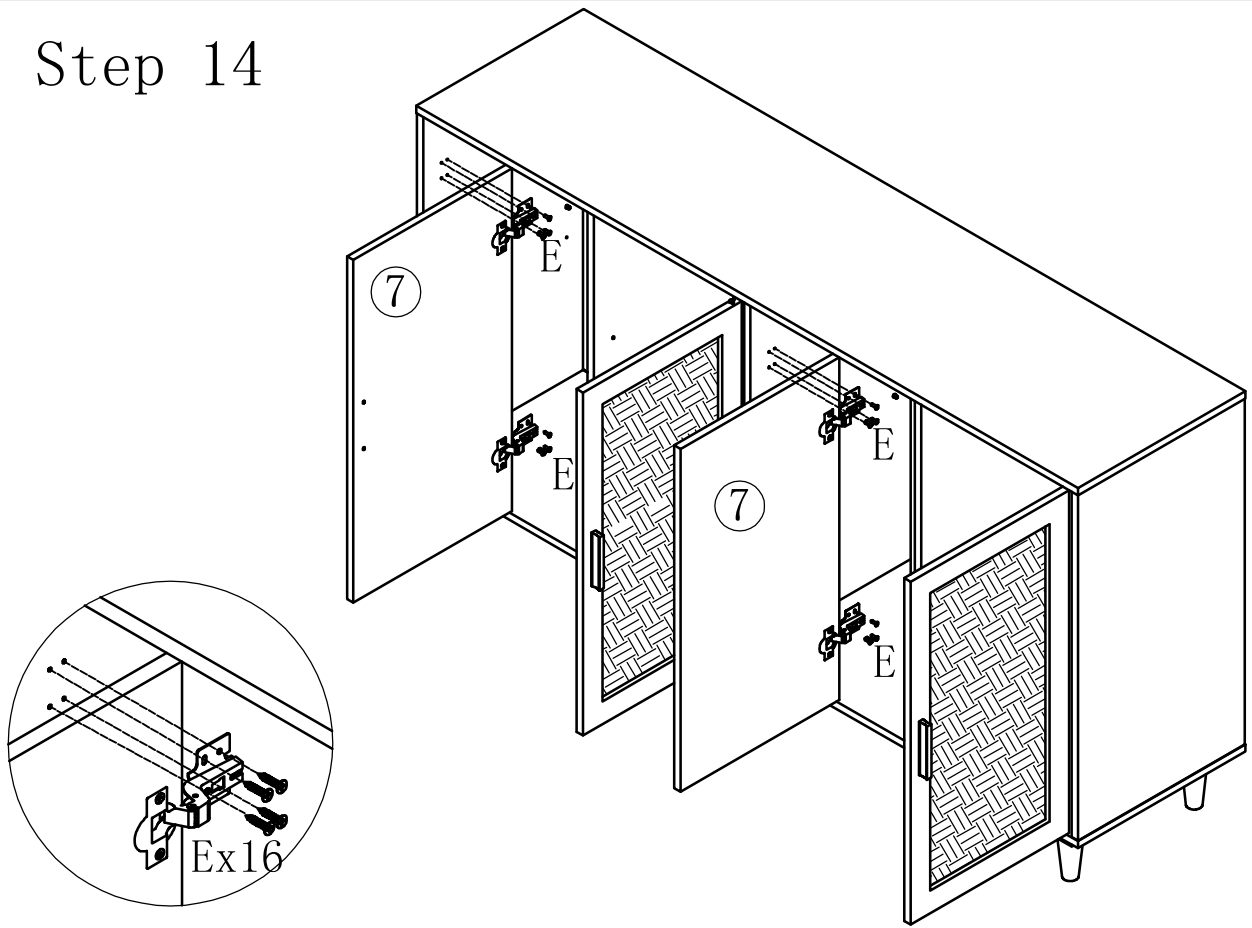
Step 12



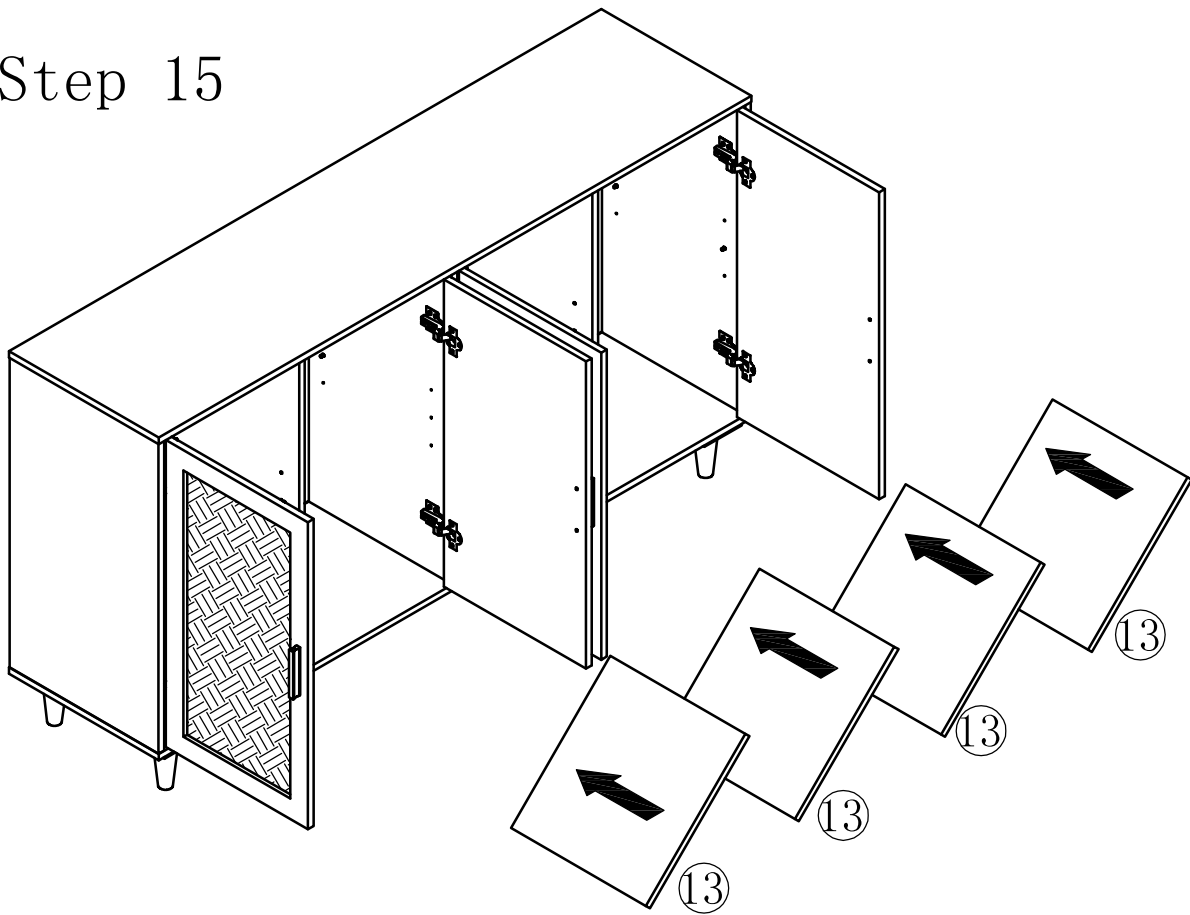
Step 13

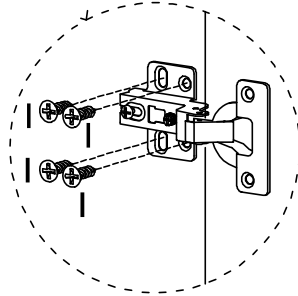


Step 14



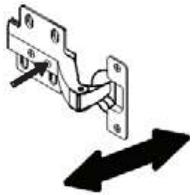
Step 15



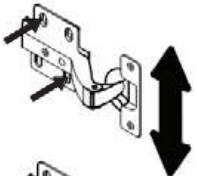


HINGE ADJUSTMENT GUIDE

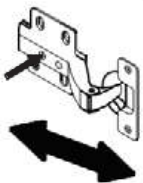
It may be necessary to adjust the hinges so that the doors align. Use the instructions below as a guide.



To adjust the door **laterally** adjust the screw as shown by turning clockwise or anti-clockwise.



To adjust the door **vertically** loosen the screw as shown and move up and down as needed.



To adjust the **gap** from the door to the main frame turn the screw clockwise or anti-clockwise as needed.