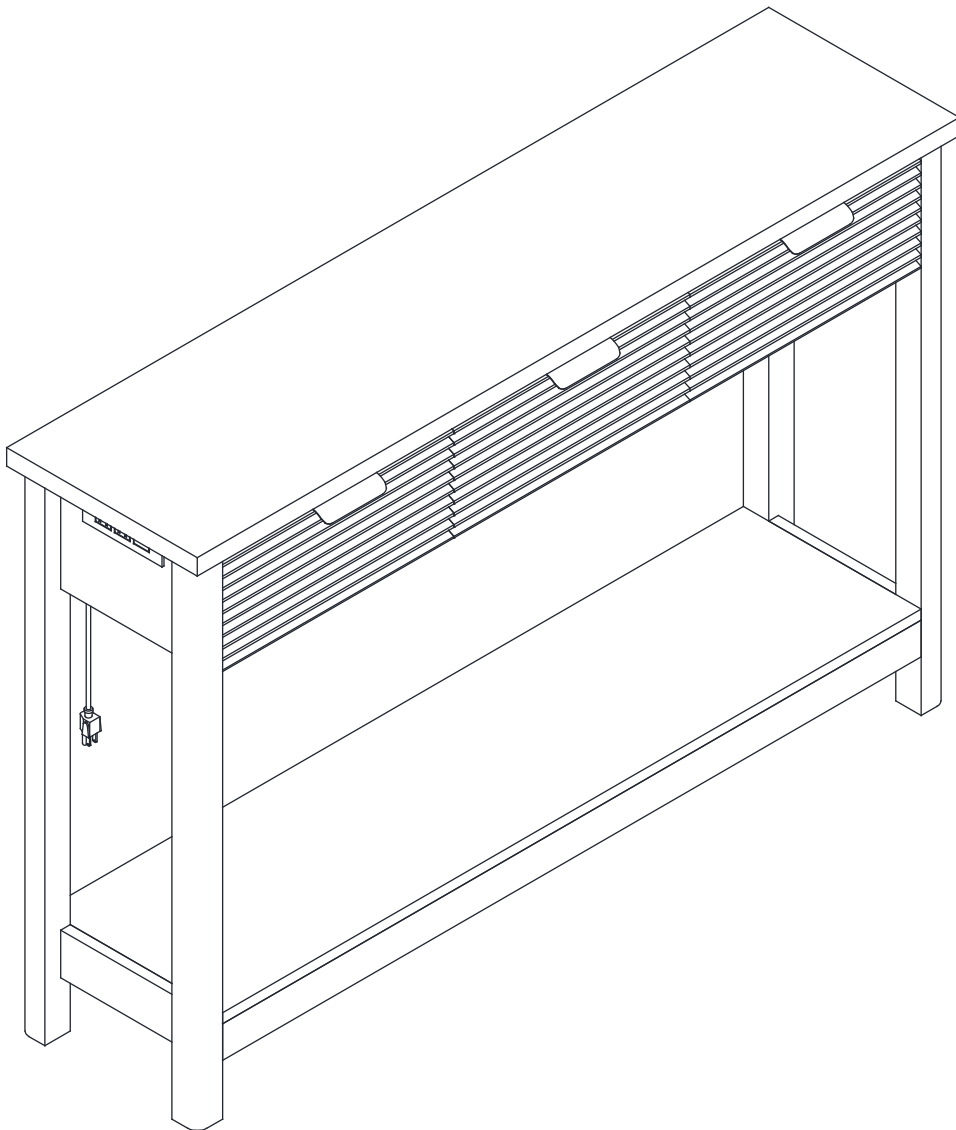


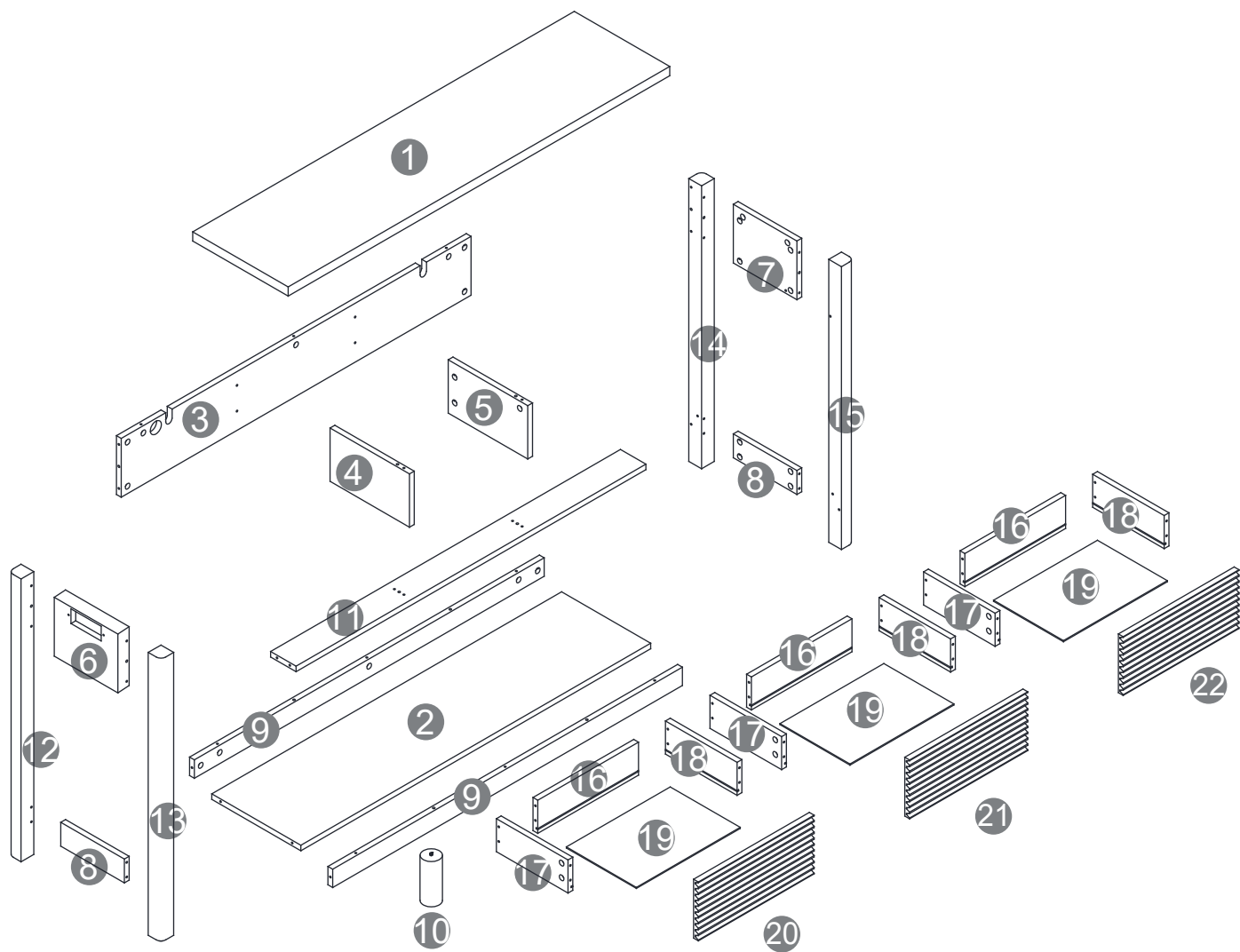
Assembly Instructions

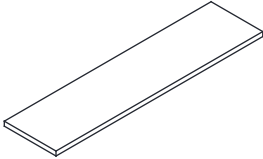
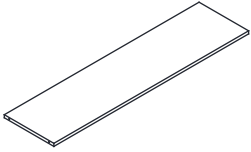
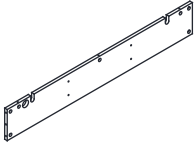
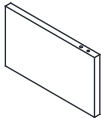
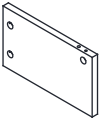
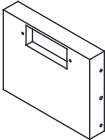
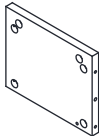
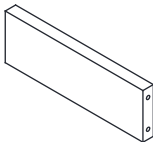
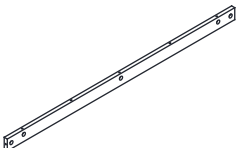
Two-person assembly required


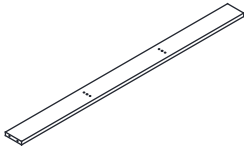




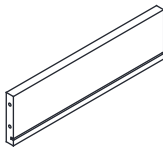
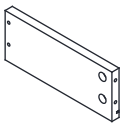
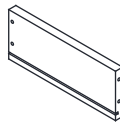


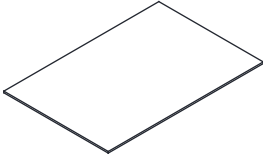
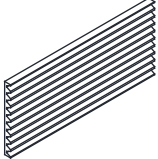
If you have any questions, please contact us

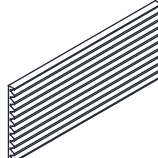
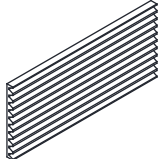
We will help you within 24 hours

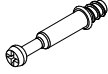

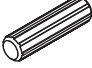


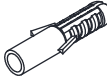


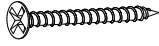


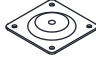
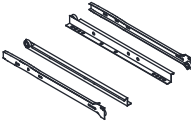
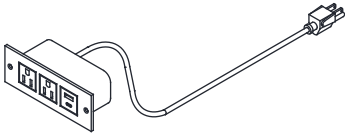
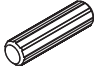
Item no.	Reference Image	Qty.
1		X1
2		X1
3		X1
4		X1
5		X1
6		X1
7		X1
8		X2
9		X2

Item no.	Reference Image	Qty.
10		X1
11		X1
12		X1
13		X1
14		X1
15		X1
16		X3
17		X3
18		X3

Item no.	Reference Image	Qty.
19		X3
20		X1

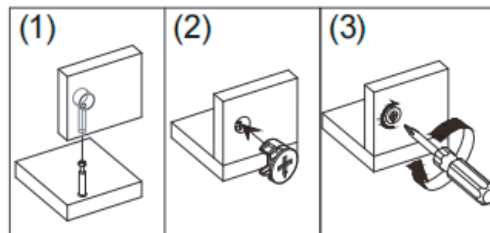
Item no.	Reference Image	Qty.
21		X1
22		X1

Item no.	Reference Image	Qty.
(A)	 M6*35mm	X63
(B)	 φ15*10mm	X63
(C)	 φ8*30mm	X12
(D)	 M4*10mm	X8
(E)		X2
(F)		X2

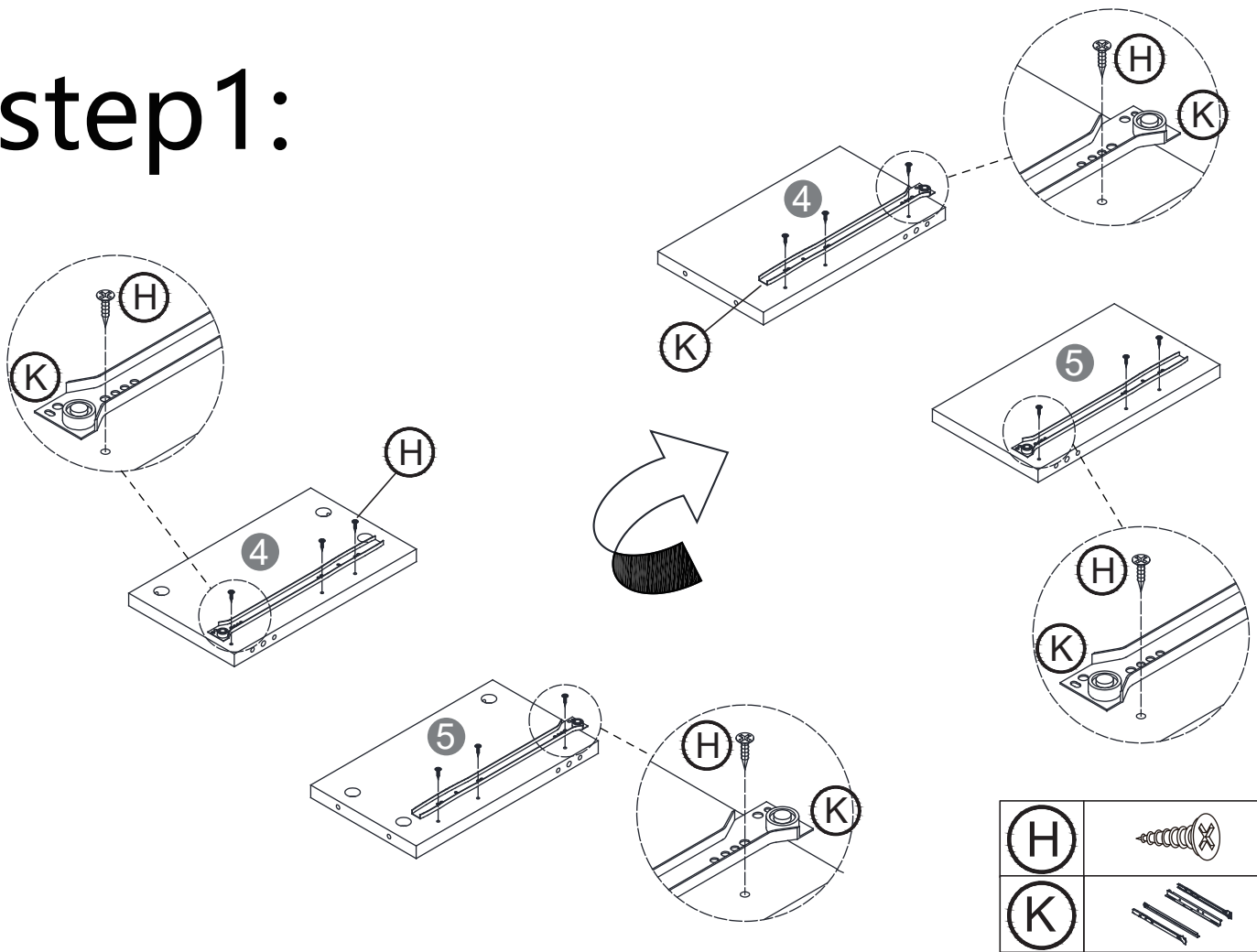
Item no.	Reference Image	Qty.
(G)	 M4*25mm	X18
(H)	 M3.5*12mm	X38
(I)		X3
(J)		X1
(K)		X12
(L)		X1
(M)	 φ8*25mm	X2



Cam Lock Fastening System

This Cam Lock Fastening System will be used throughout the assembly process

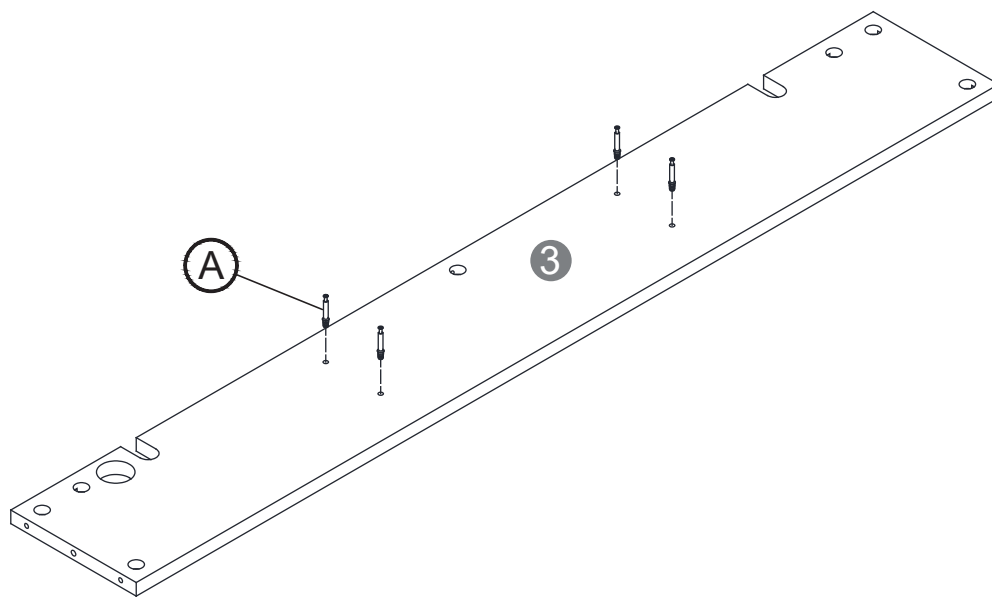


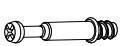
step 1:



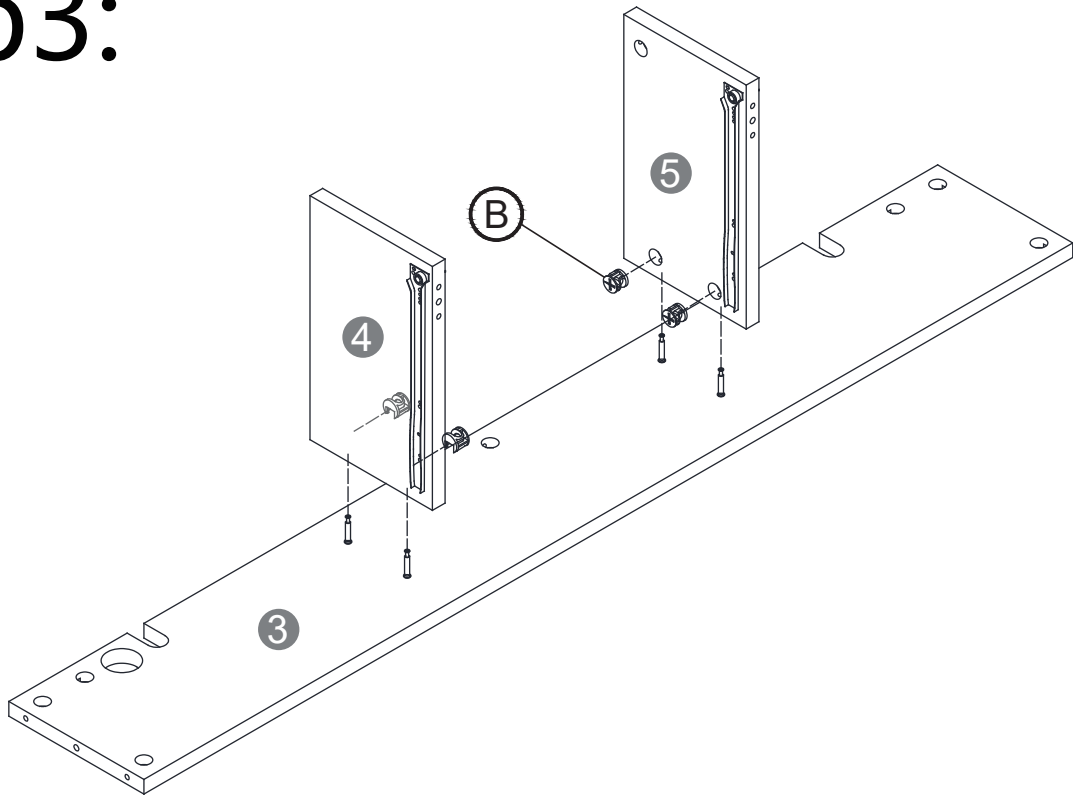
(H)		X 12
(K)		X 4


step 2:



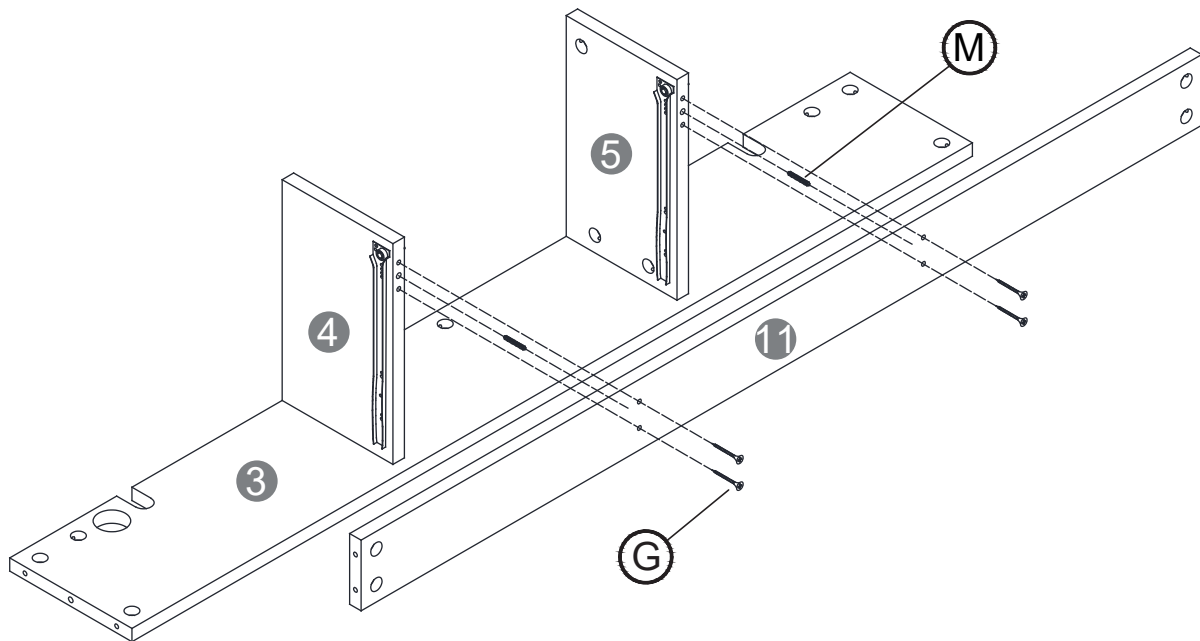
(A)		X 4
-----	---	-----



step3:



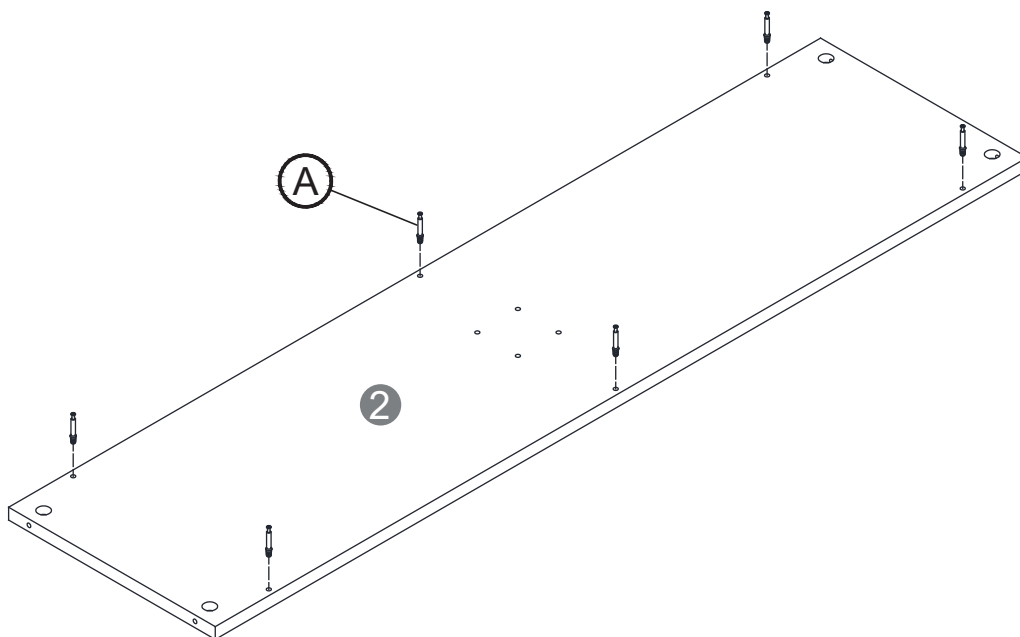
(B)		X 4
-----	---	-----

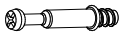
step4:



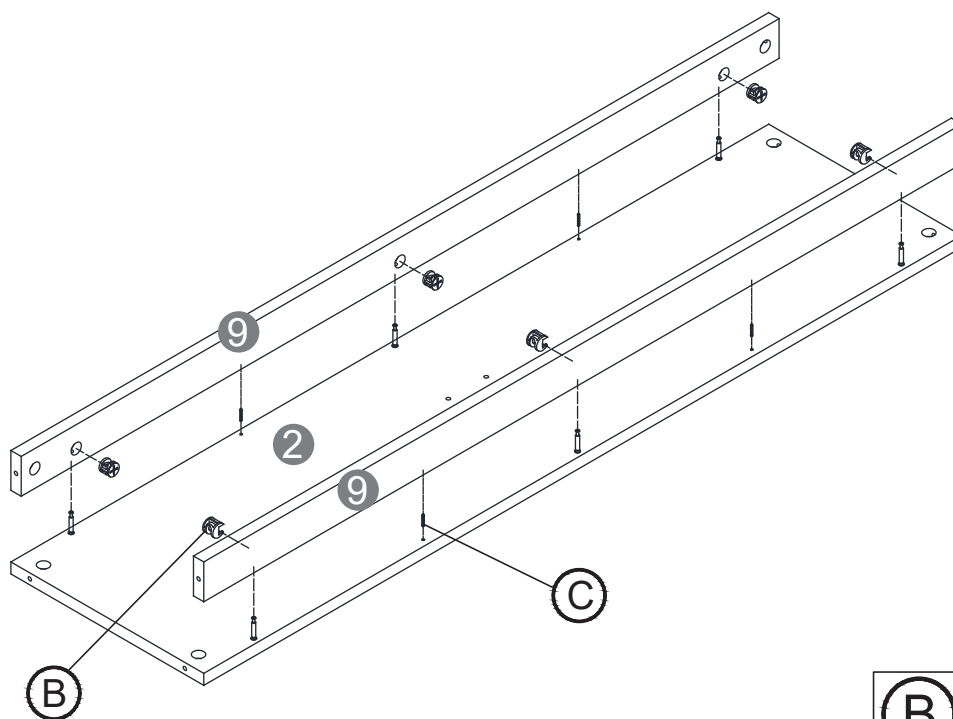
(M)		X 2
(G)		X 4



step5:



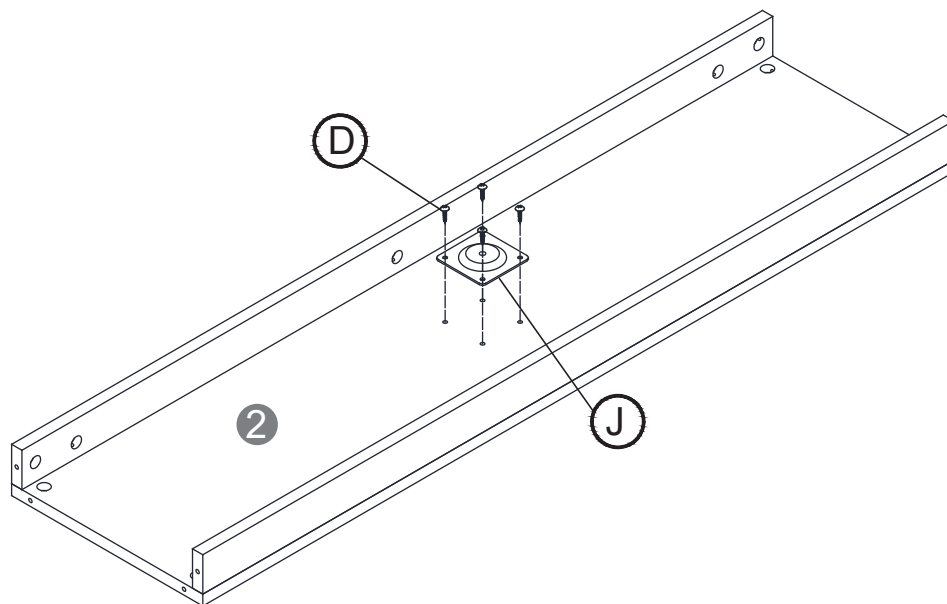
(A)		X 6
-----	---	-----



step6:



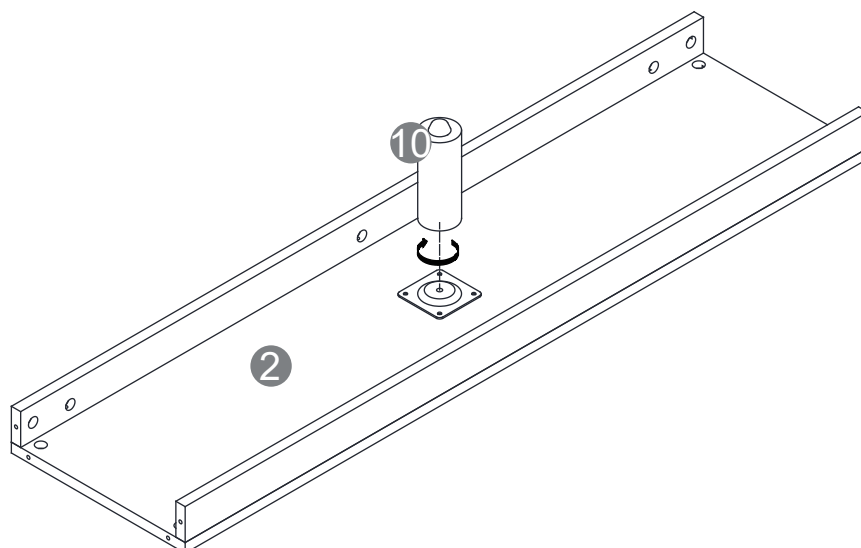
(B)		X 6
(C)		X 4

step7:

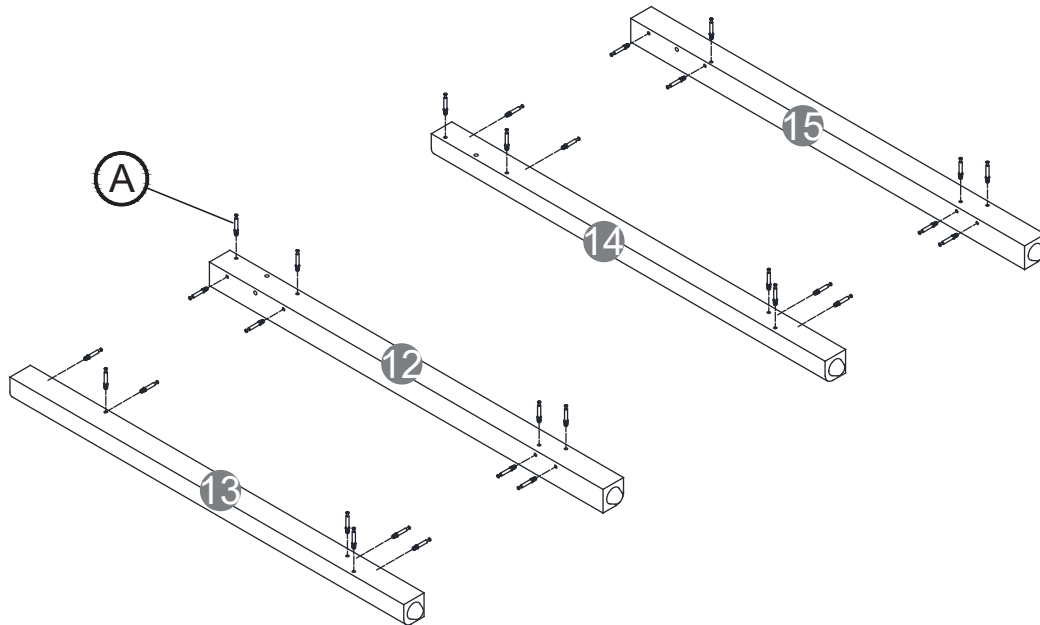


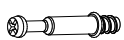
D		X 4
J		X 1

step8:

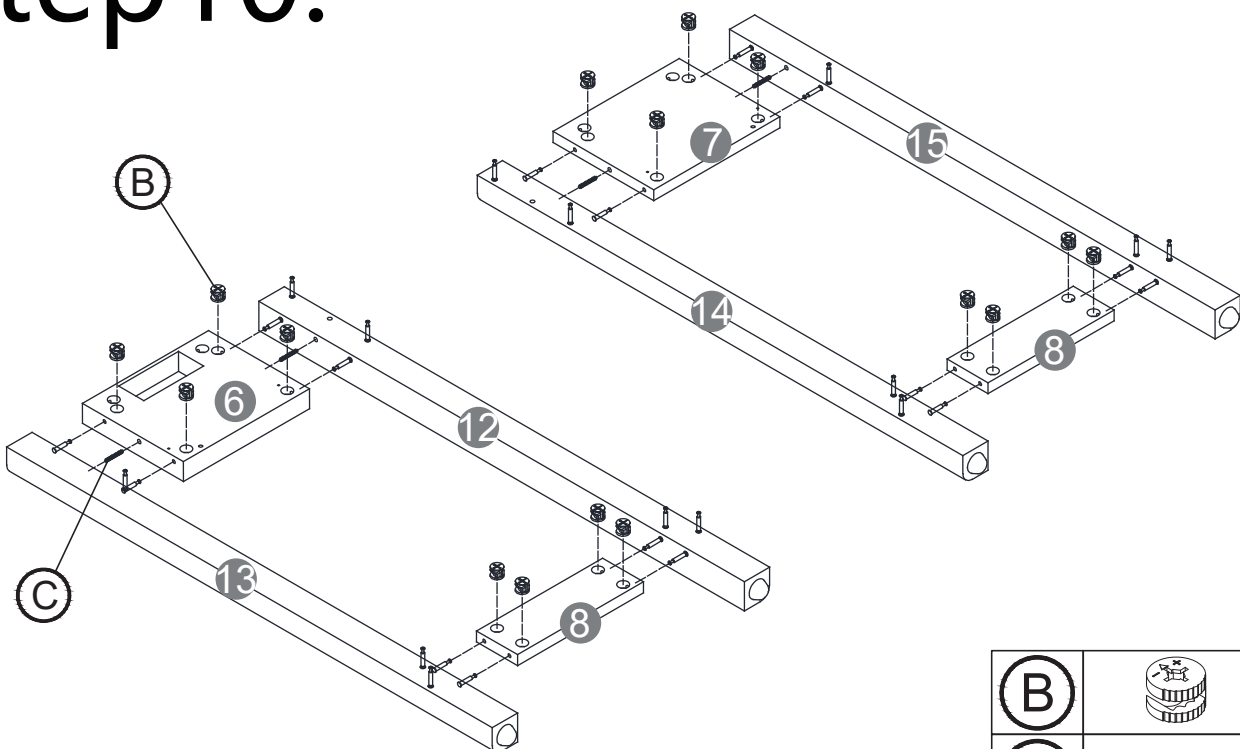




step9:



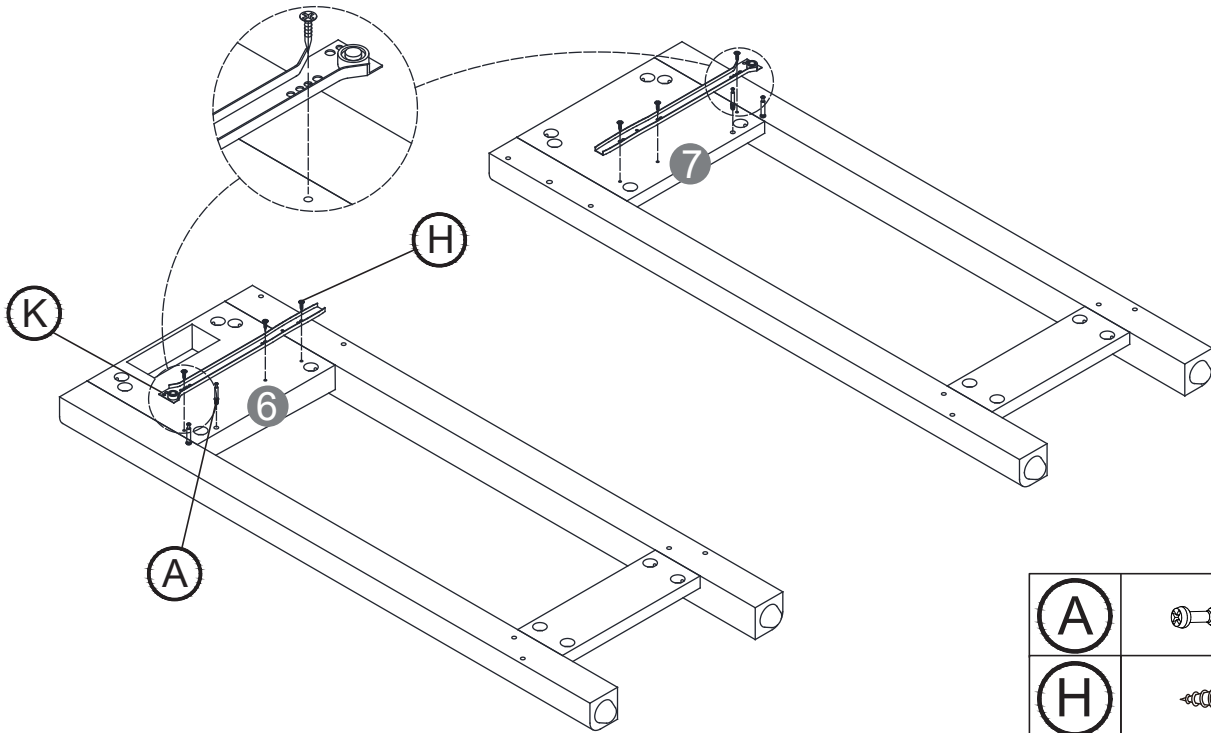
(A)		X 30
-----	---	------

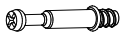


step10:



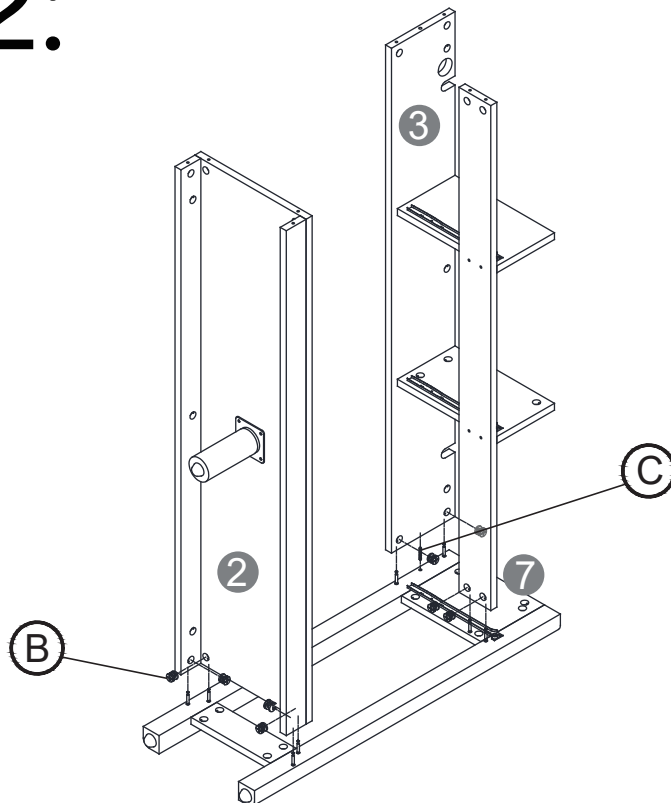
(B)		X 16
(C)		X 4



step 11:



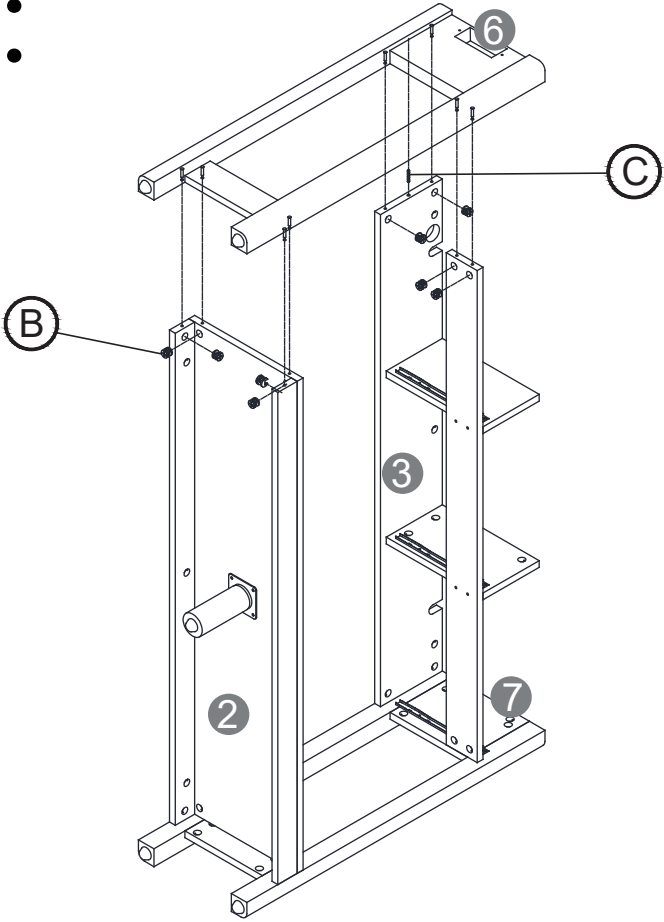
(A)		X 2
(H)		X 6
(K)		X 2



step 12:



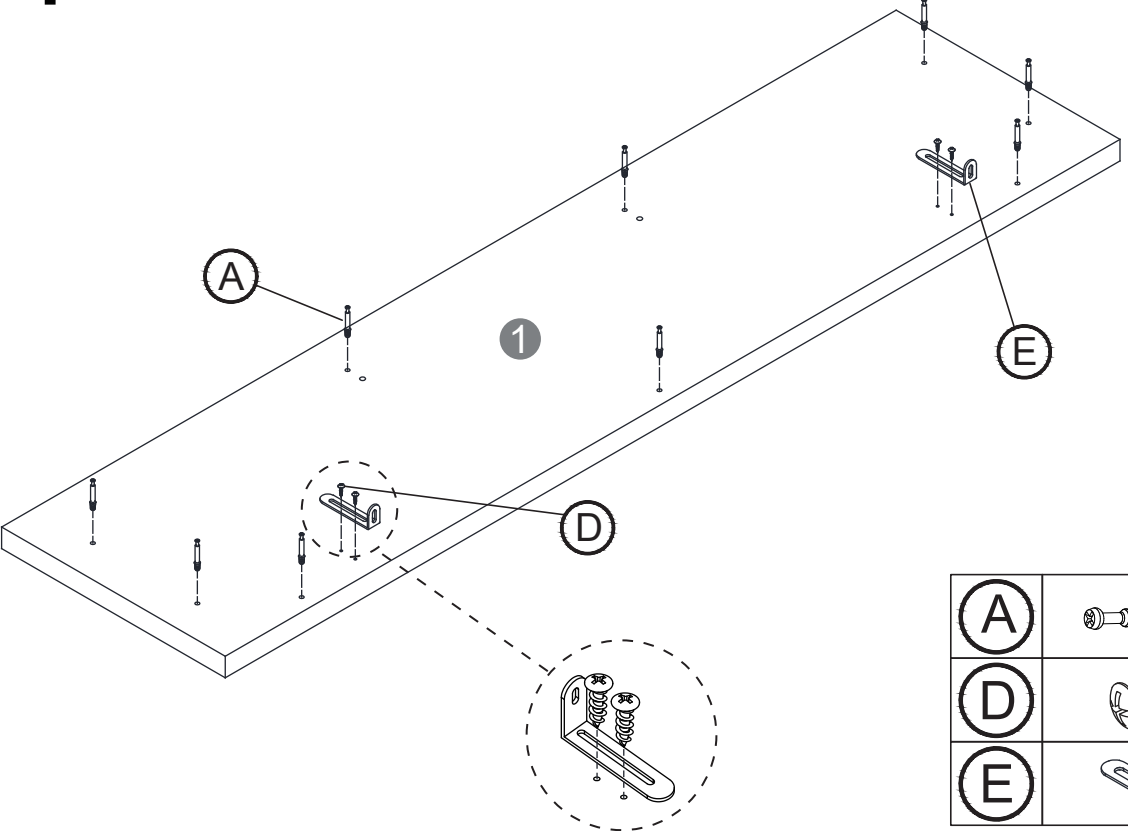
(B)		X 8
(C)		X 1

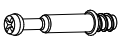

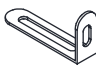
step13:



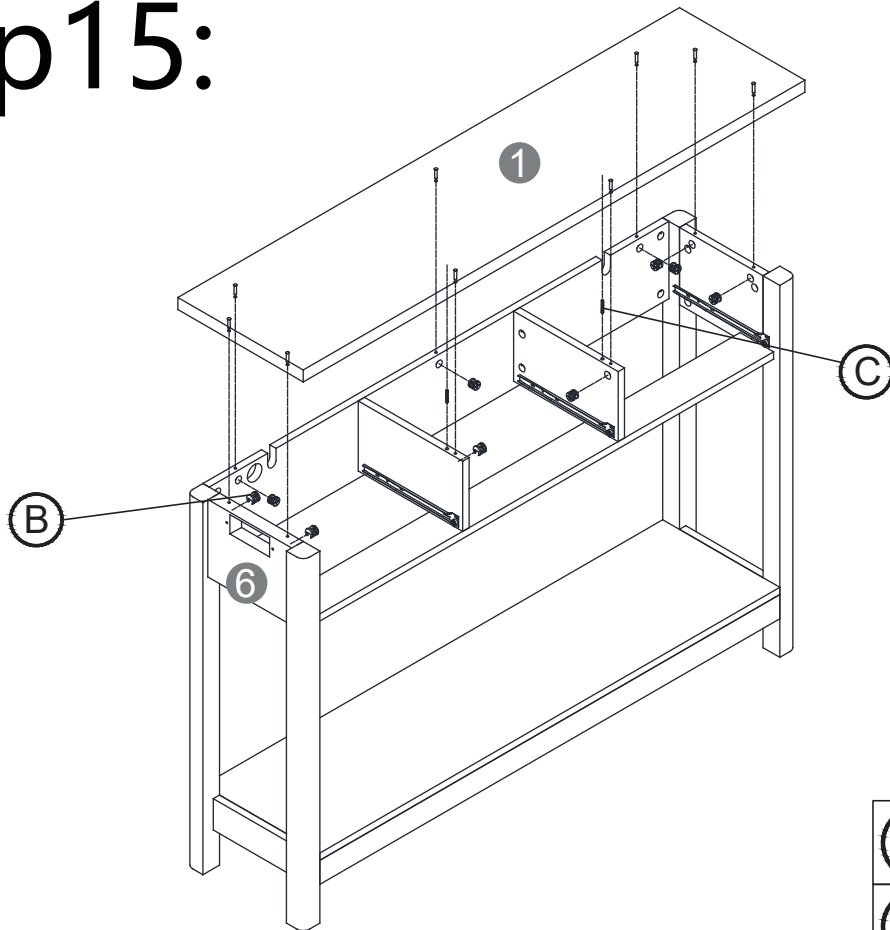
(B)		X 8
(C)		X 1



step14:



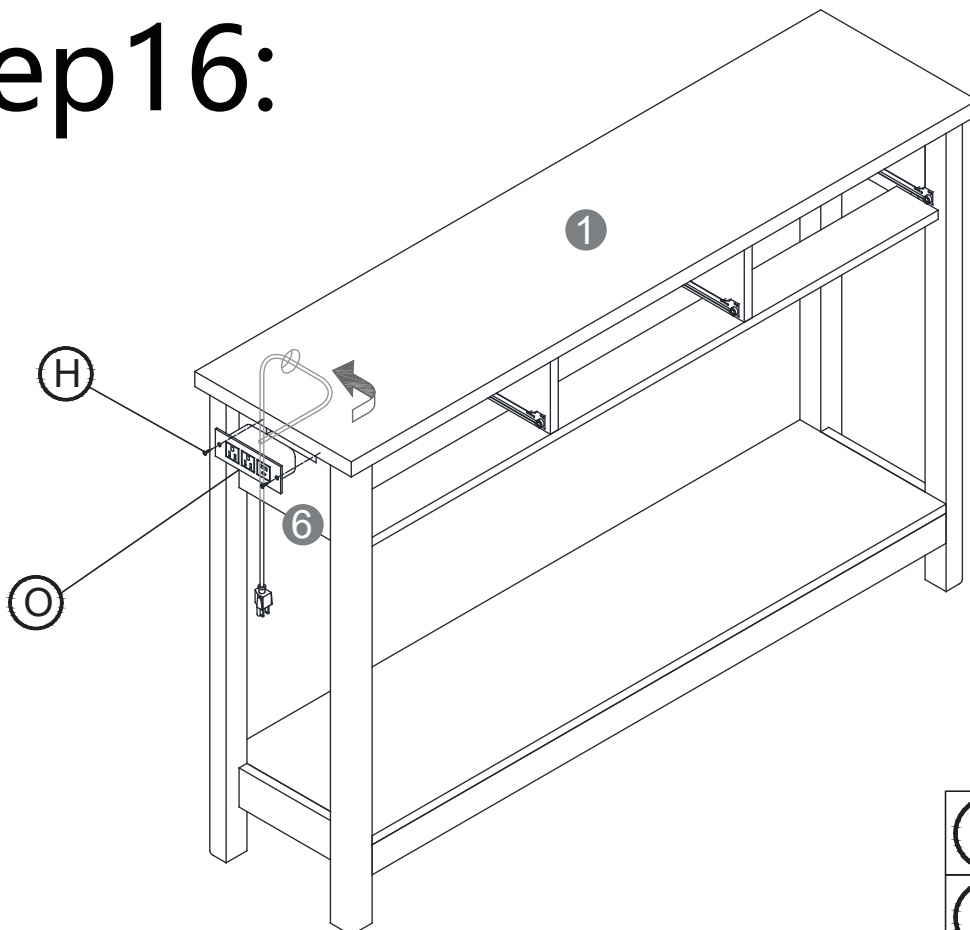
(A)		X 9
(D)		X 4
(E)		X 2



step 15:



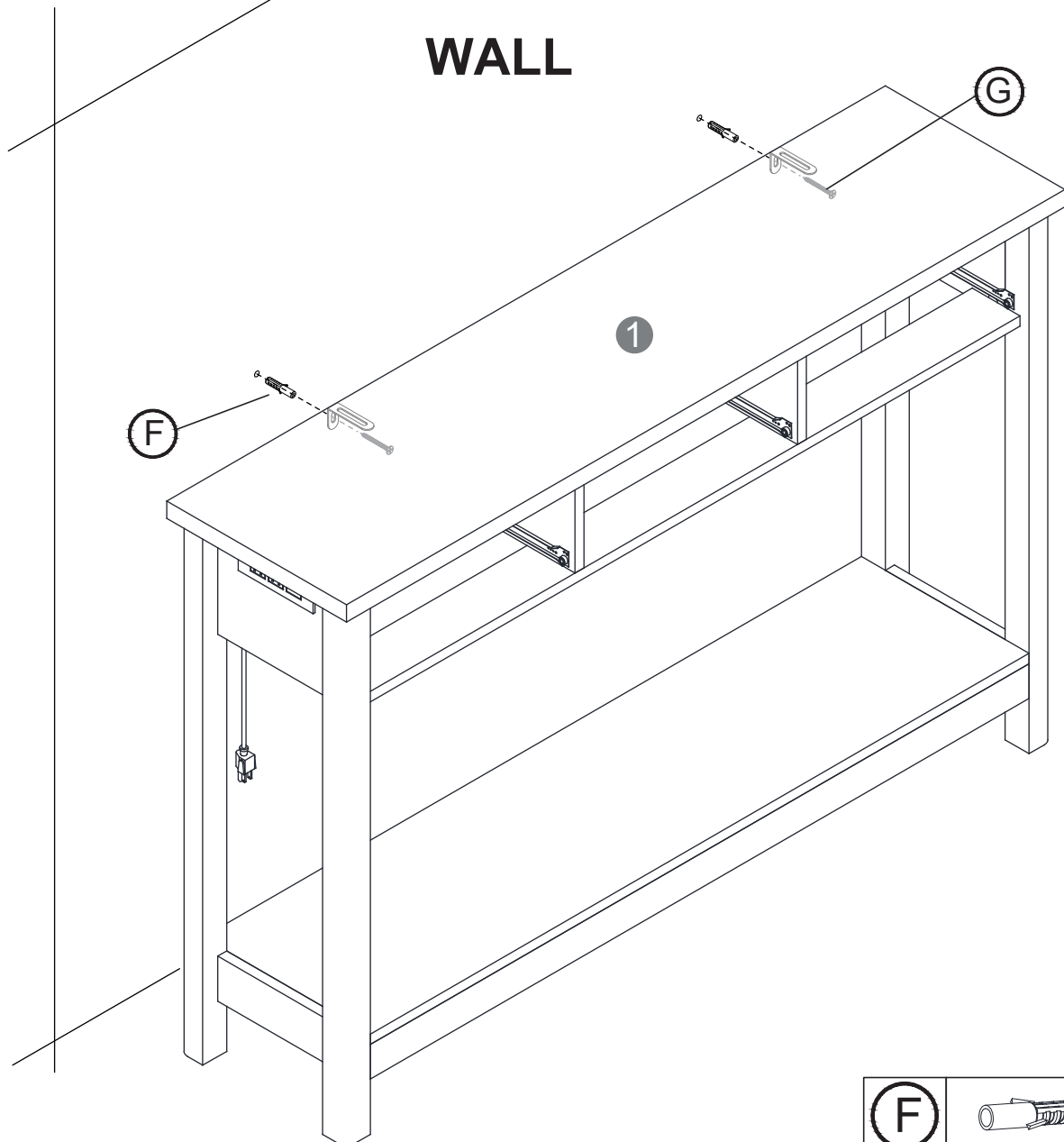
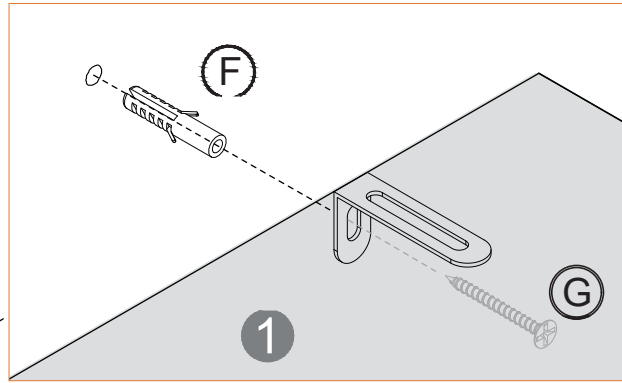
(B)		X 9
(C)		X 2

step 16:



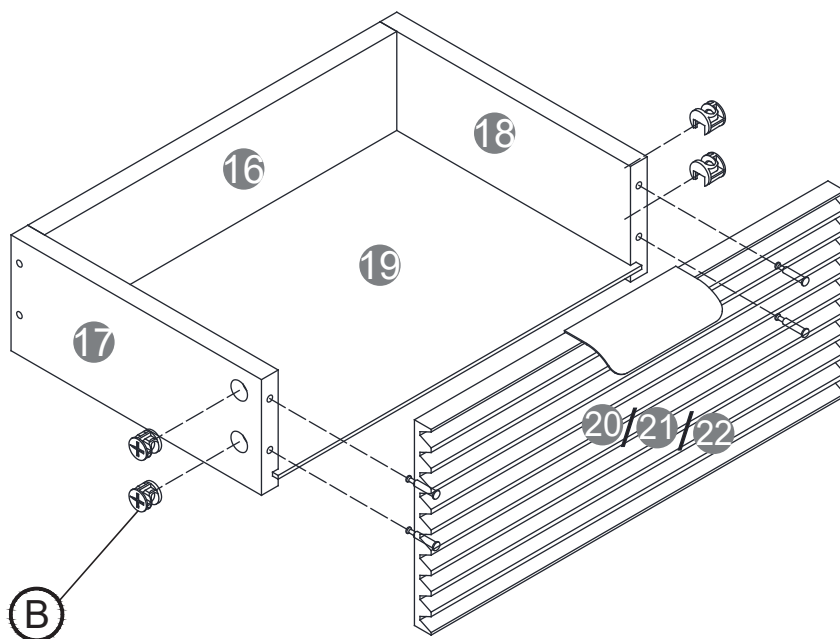
(H)		X 2
(L)		X 1

step17:




(F)		X 2
(G)		X 2

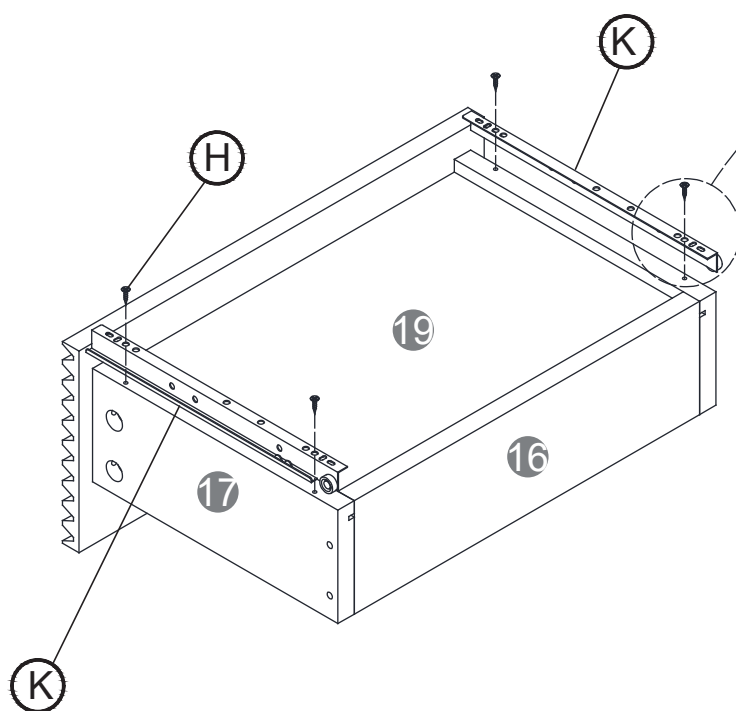
step22:





x3

ⓑ		X 12
---	--	------

step23:



x3

ⓓ		X 12
Ⓚ		X 6

step24:

