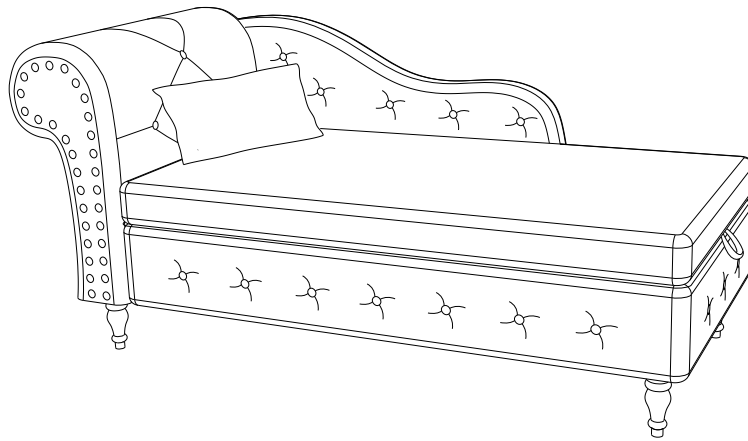
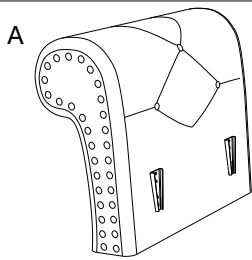


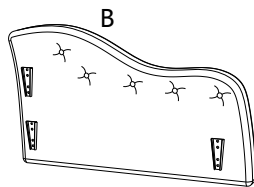
ASSEMBLY INSTRUCTION



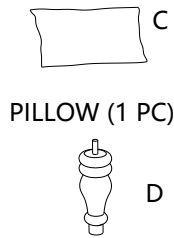
PARTS LIST



ARM REST (1 PC)



BACK REST (1 PC)

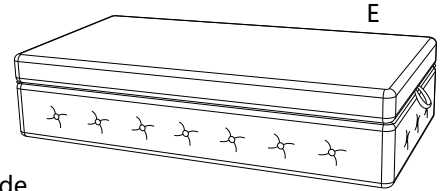


PILLOW (1 PC)

LEGS (4 PCS)



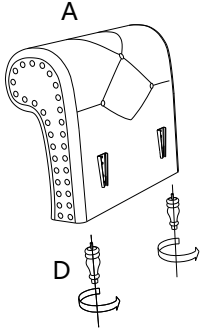
All Parts Inside
Seat Box



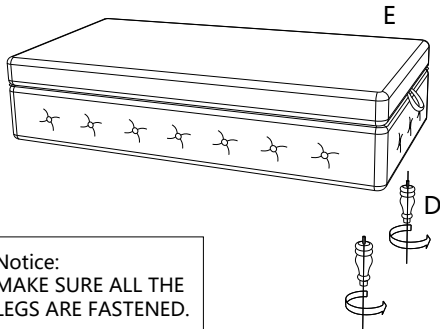
SEAT BOX WITH STORAGE (1 PC)

ASSEMBLY

STEP 1-1

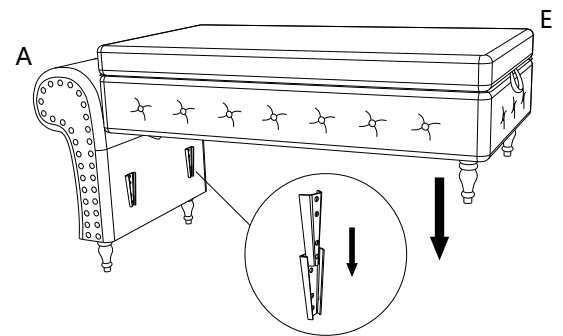


STEP 1-2

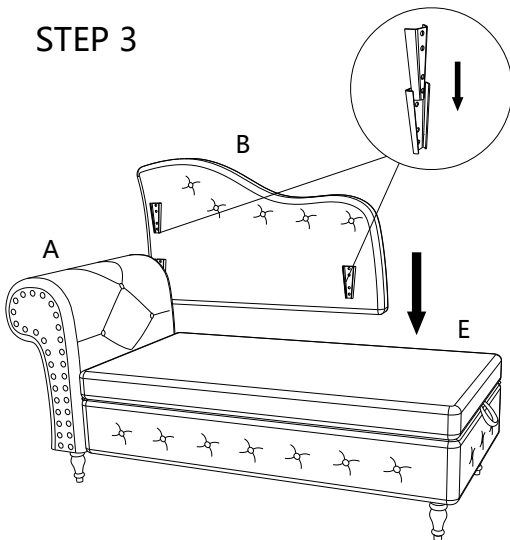


Notice:
MAKE SURE ALL THE
LEGS ARE FASTENED.

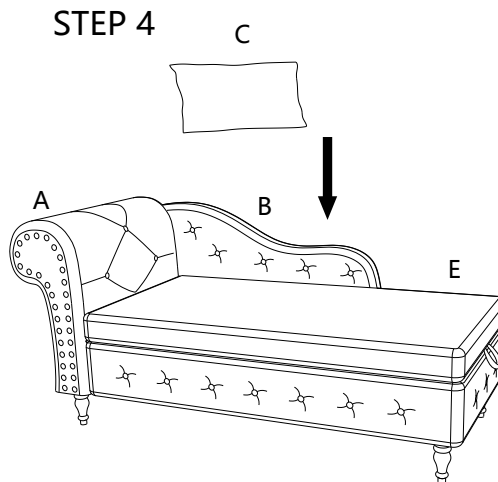
STEP 2



STEP 3



STEP 4



OPEN FOR STORAGE

