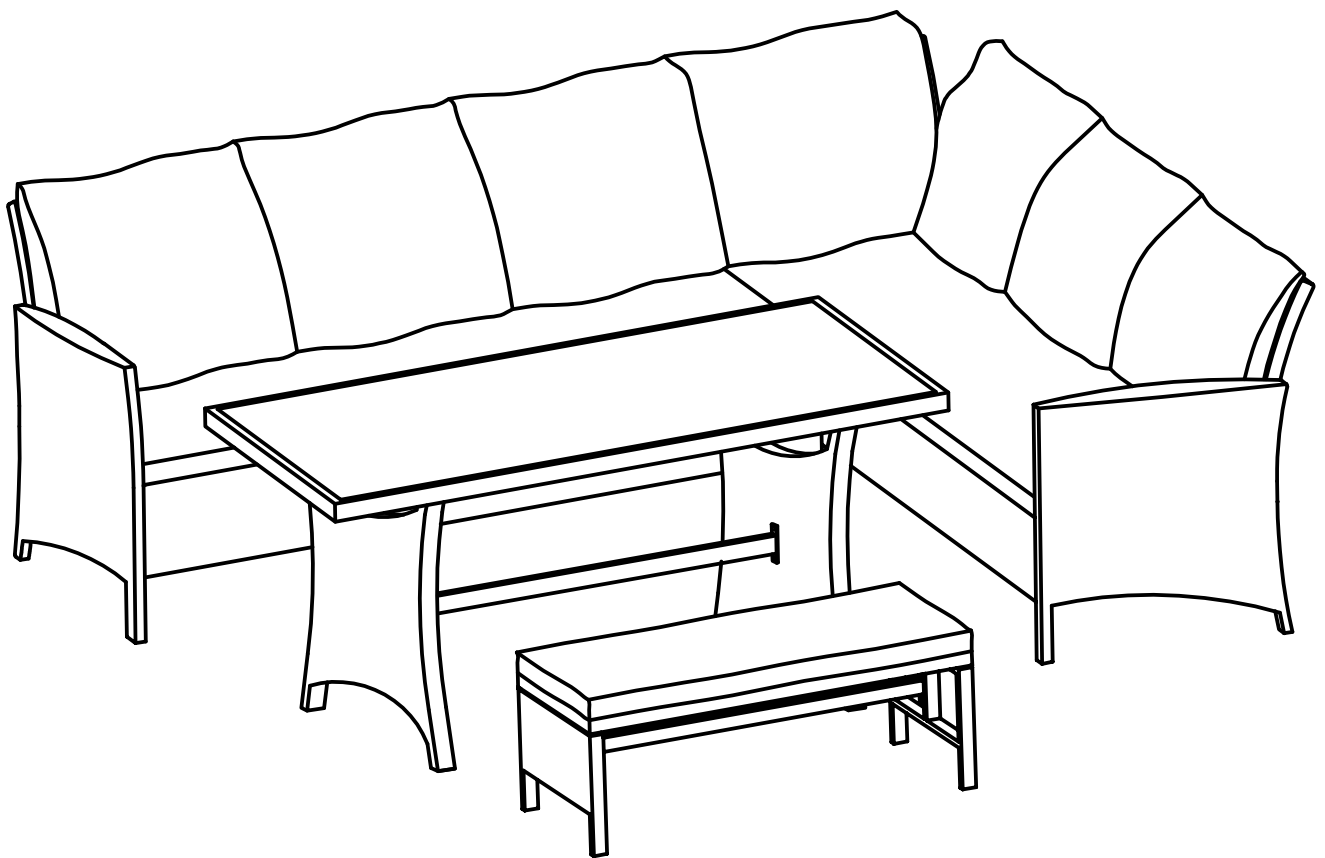


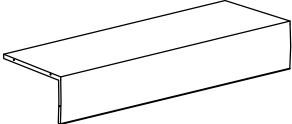
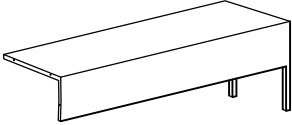
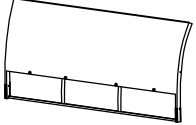
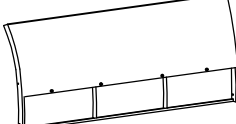
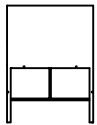

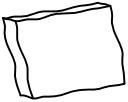
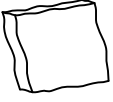
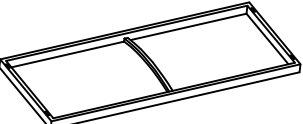
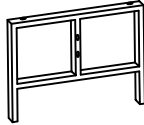
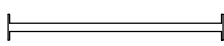
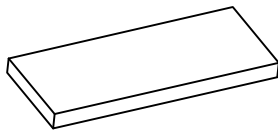
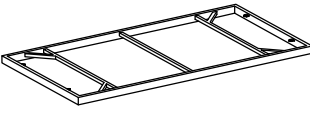

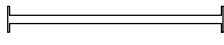


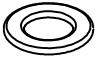





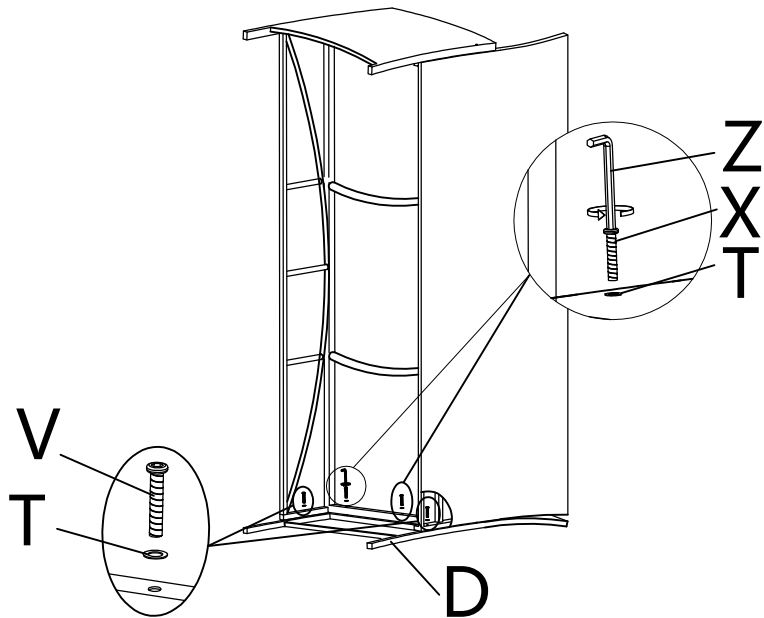
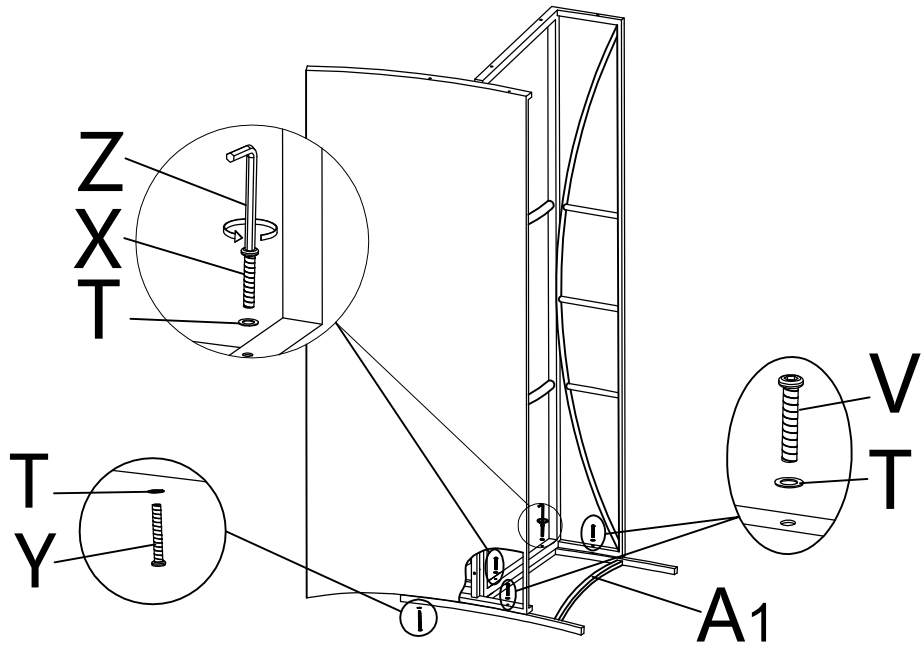
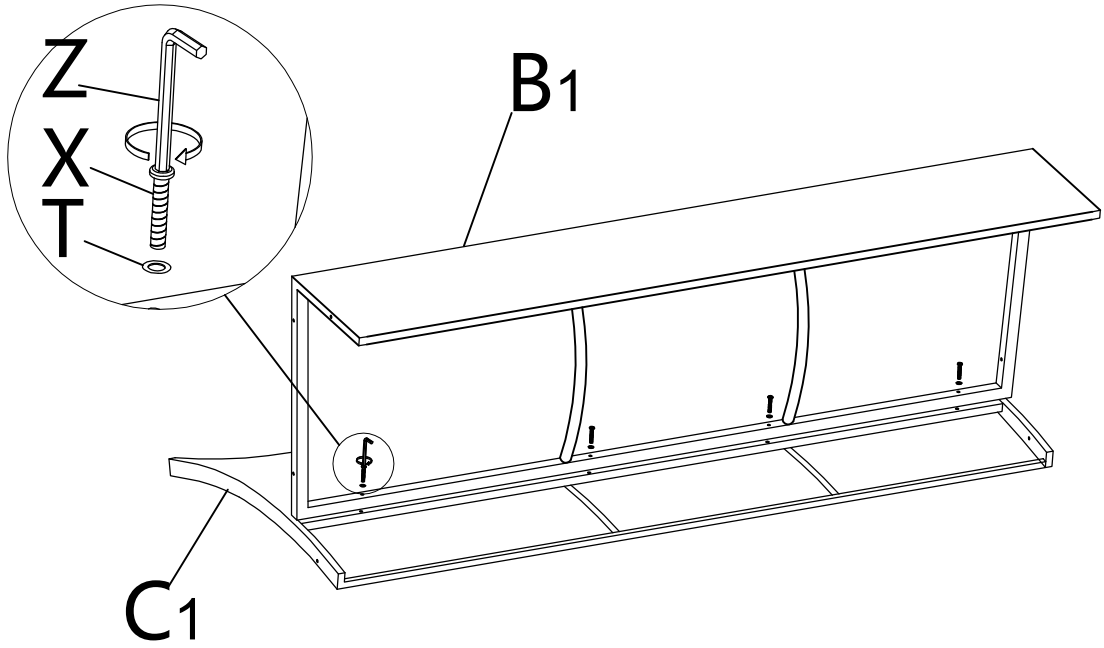


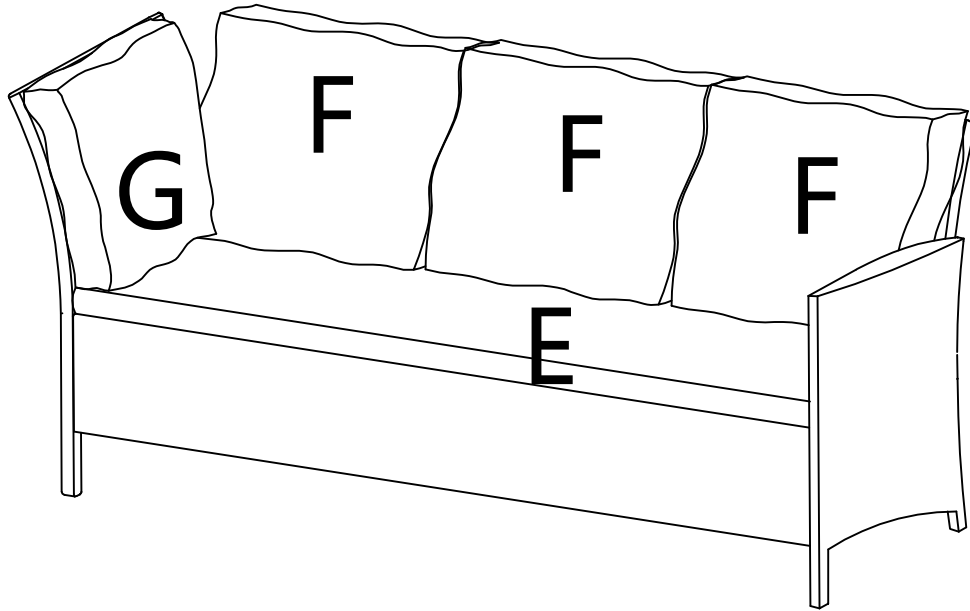
ASSEMBLY INSTRUCTION



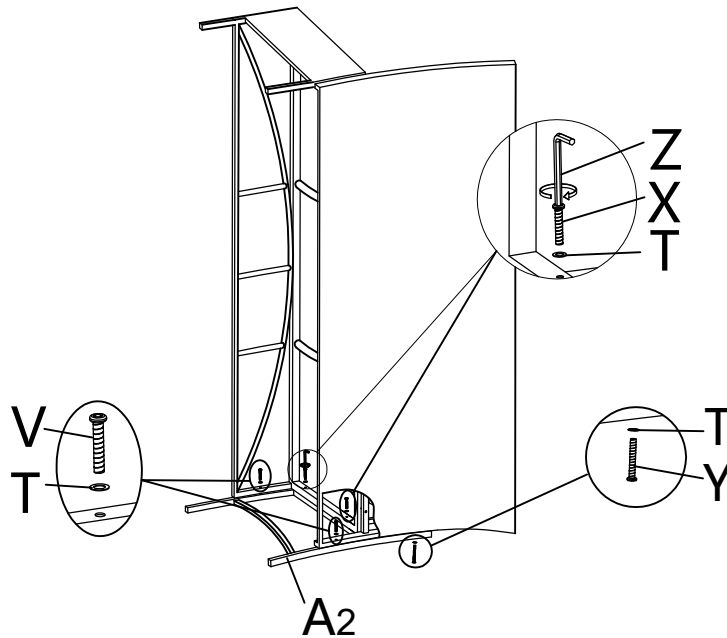
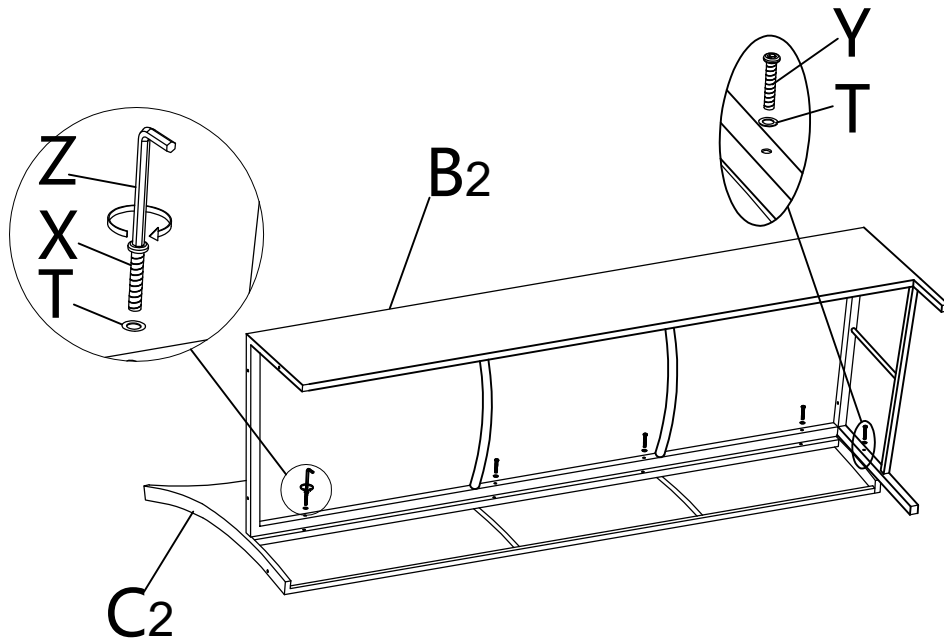
A1		1
A2		1
B1		1
B2		1
C1		1
C2		1
D		1
E		2
F		6
G		1
H		1
I		2
J		1

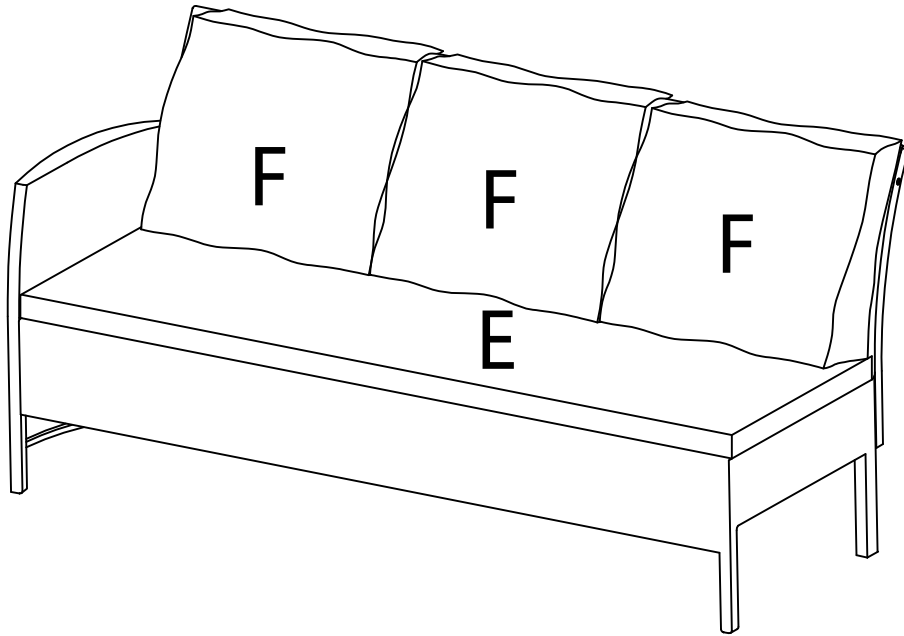
K		1
L		1
M		2
N		1
P		1
Q		2
T		43
U	 M6*15	16
V	 M6*30	10
X	 M6*40	14
Y	 M6*45	3
Z		1



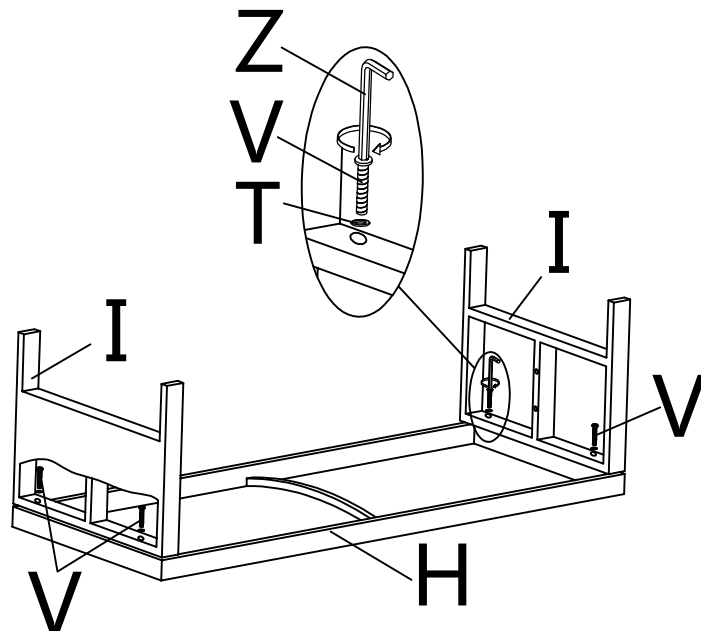
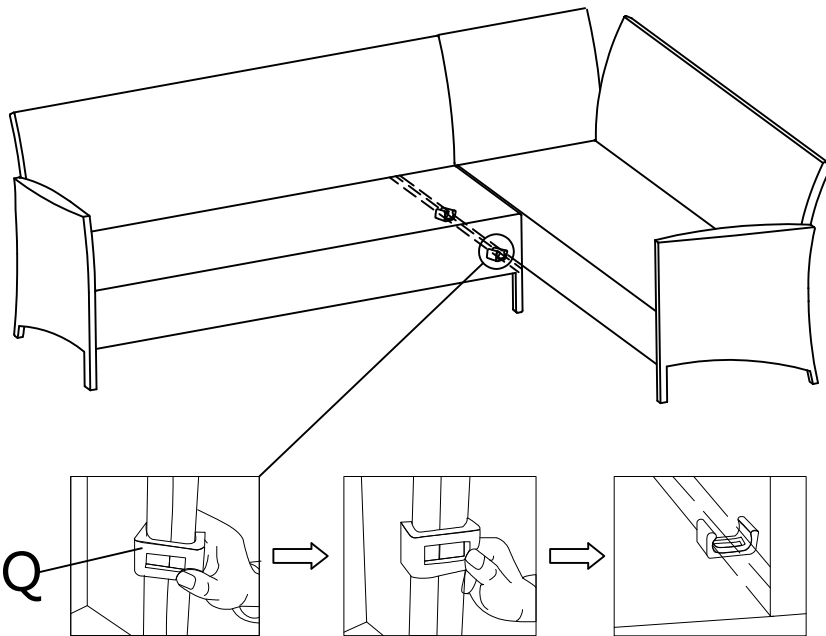


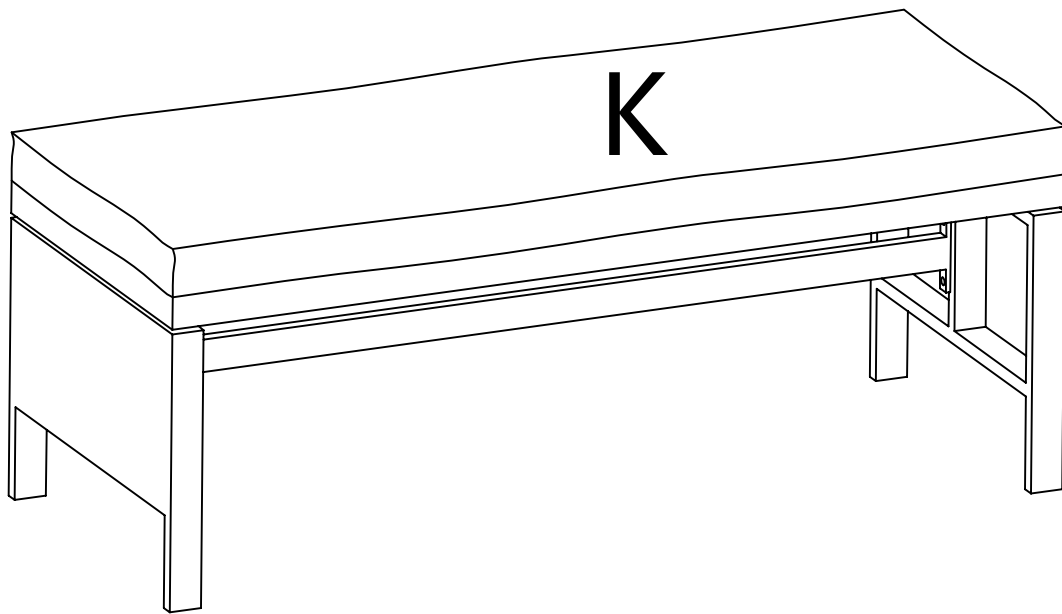
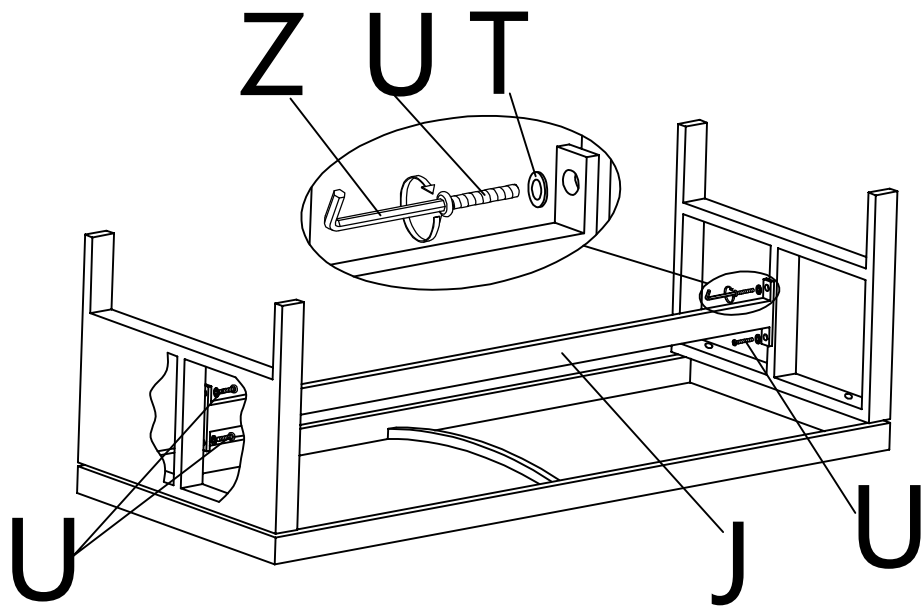
done



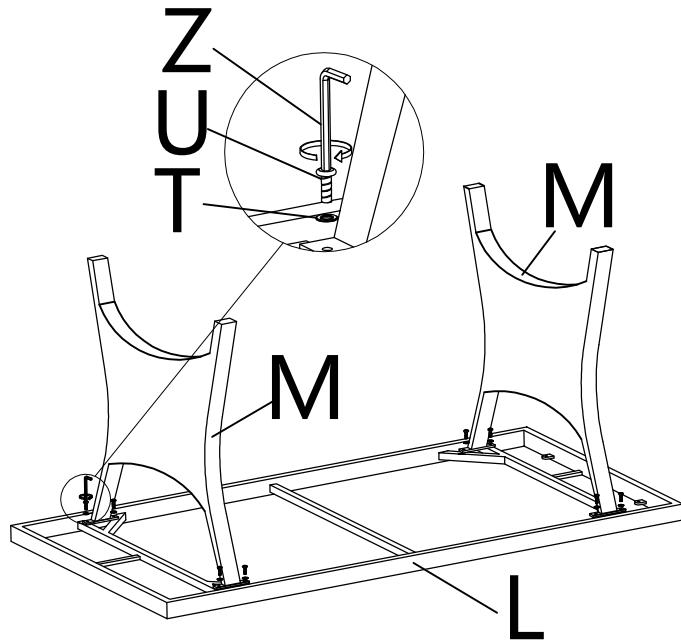


done

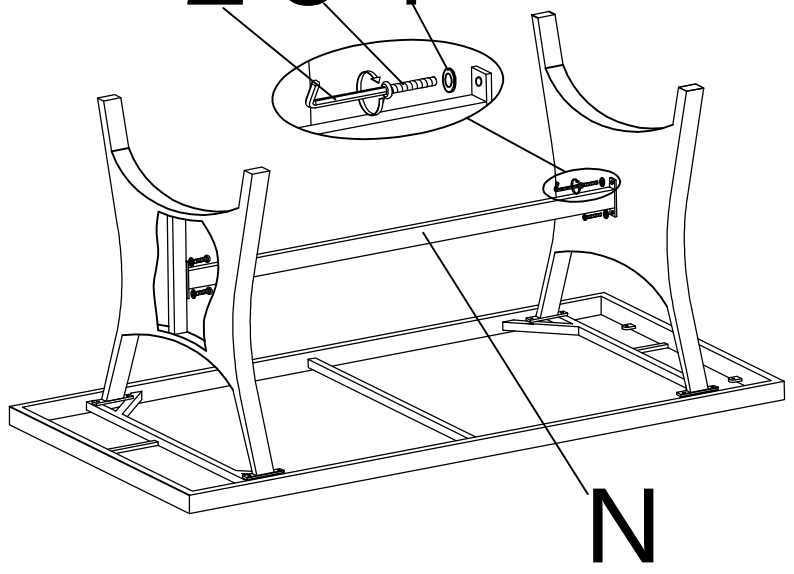




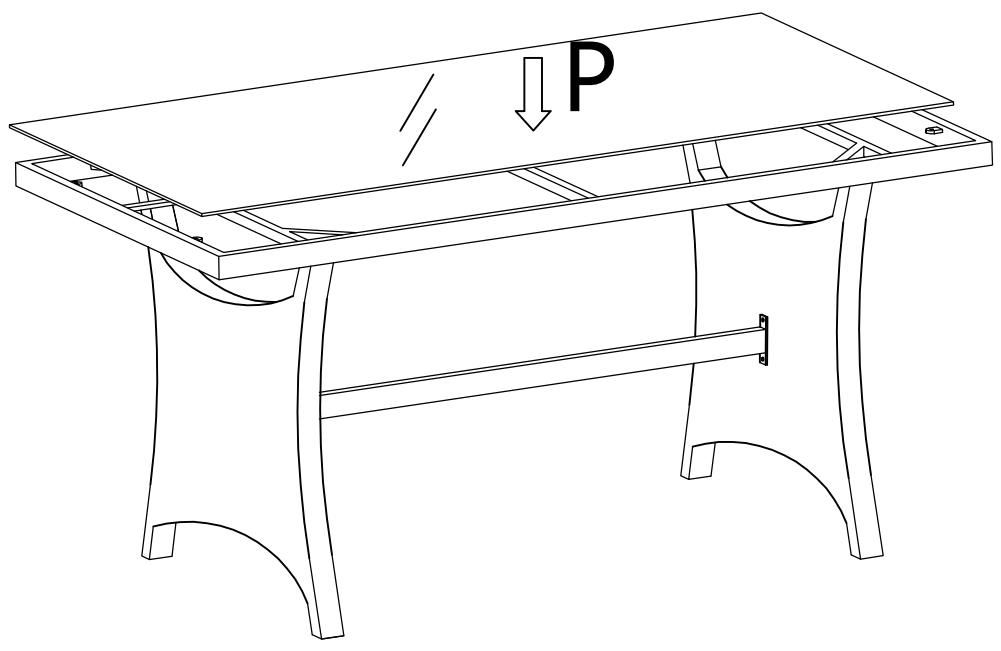
done



ZUT

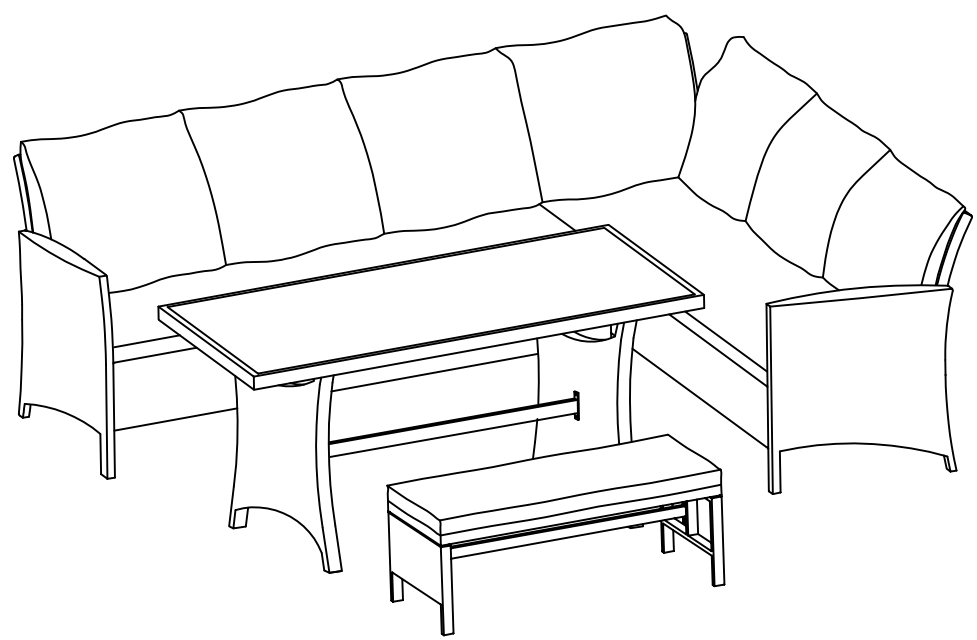


P


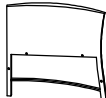




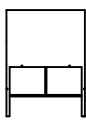



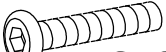
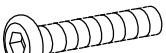




done

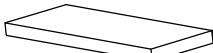


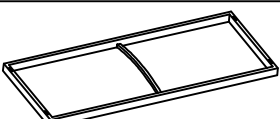
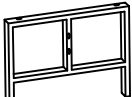
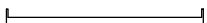
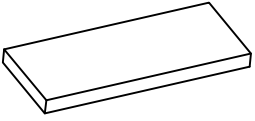
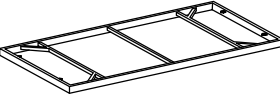

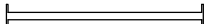

done



BOX 1/2

A1		1
A2		1
B1		1
B2		1
C1		1
C2		1
D		1
Q		2
T		43
U	 M6*15	16
V	 M6*30	10
X	 M6*40	14
Y	 M6*45	3
Z		1

BOX 2/2

E		2
F		6
G		1
H		1
I		2
J		1
K		1
L		1
M		2
N		1
P		1