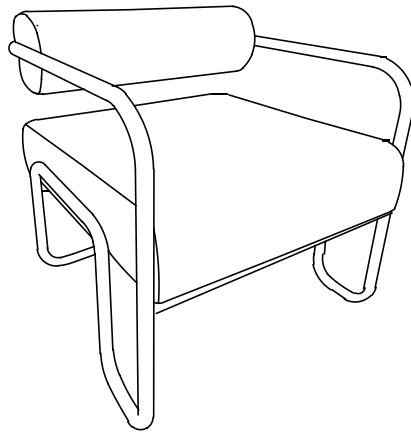


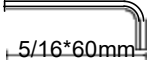

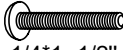
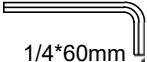
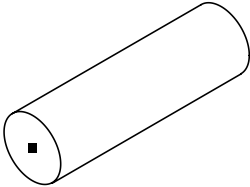
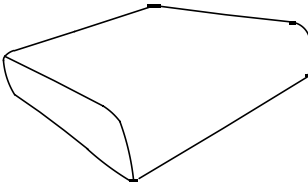
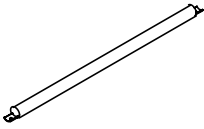
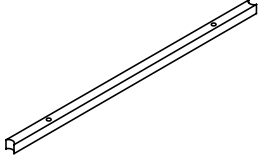
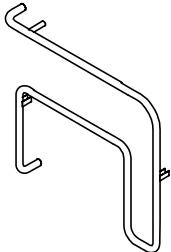
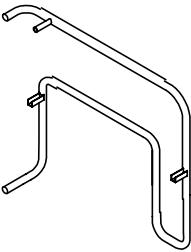


1 ASSEMBLY INSTRUCTION

MODEL NO.HC5676

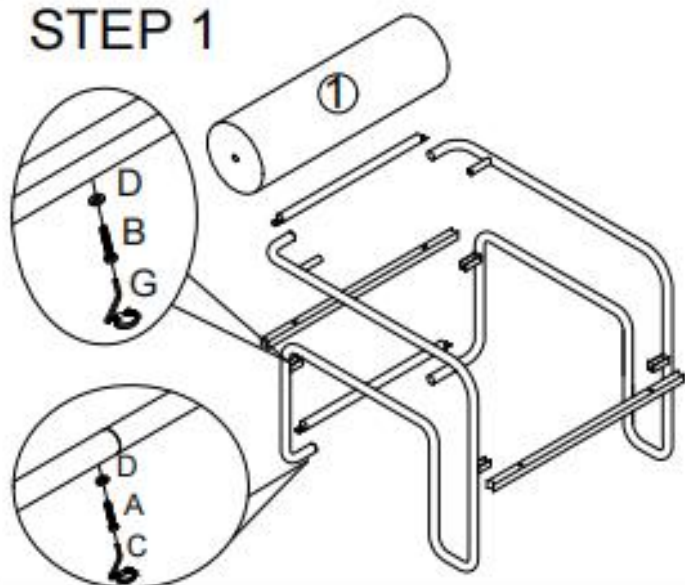


Components/QTY		Components/QTY		Components/QTY			
A	4PCS  5/16*3/4"	B	8PCS  1/4*3/4"	C	1PCS  5/16*60mm		
D	16PCS  5/16*16 mm	F	4PCS  1/4*1- 1/2"	G	1PCS  1/4*60mm		
1	1PC 	2	1PC 	3	2PC 	4	2PC 
5	1PC 	6	1PC 				

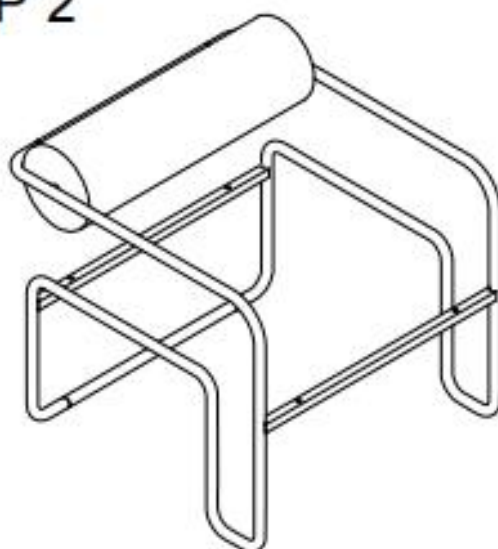
② ASSEMBLY INSTRUCTION

MODEL NO.HC5676

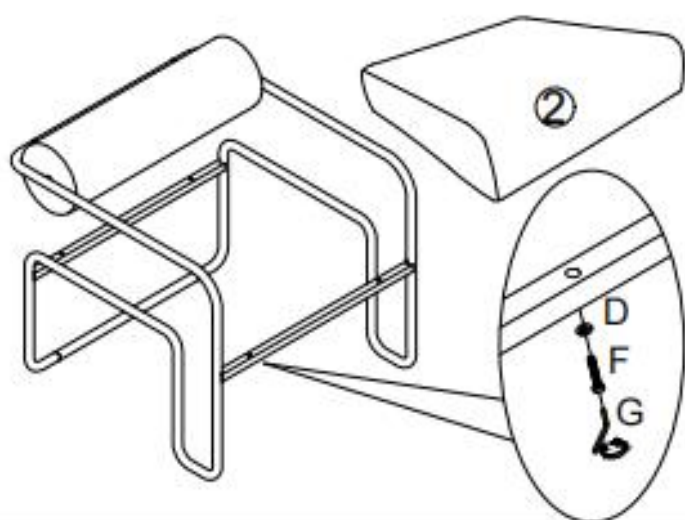
STEP 1



STEP 2



STEP 3



STEP 4

