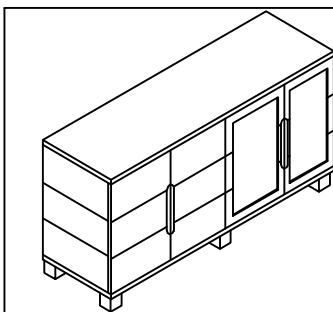
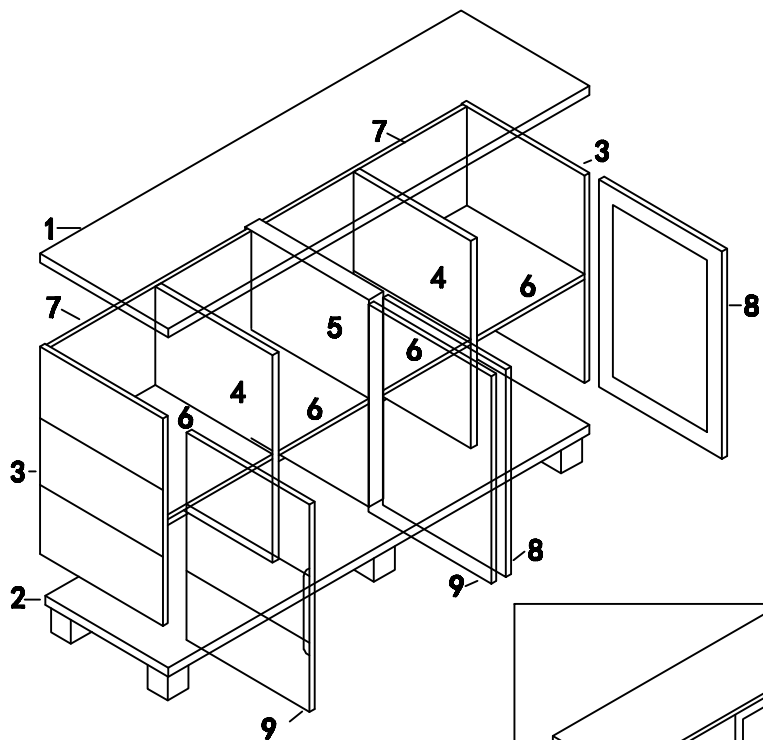


# ASSEMBLY INSTRUCTION



A  x44

F  x16

B  x20

G  x1

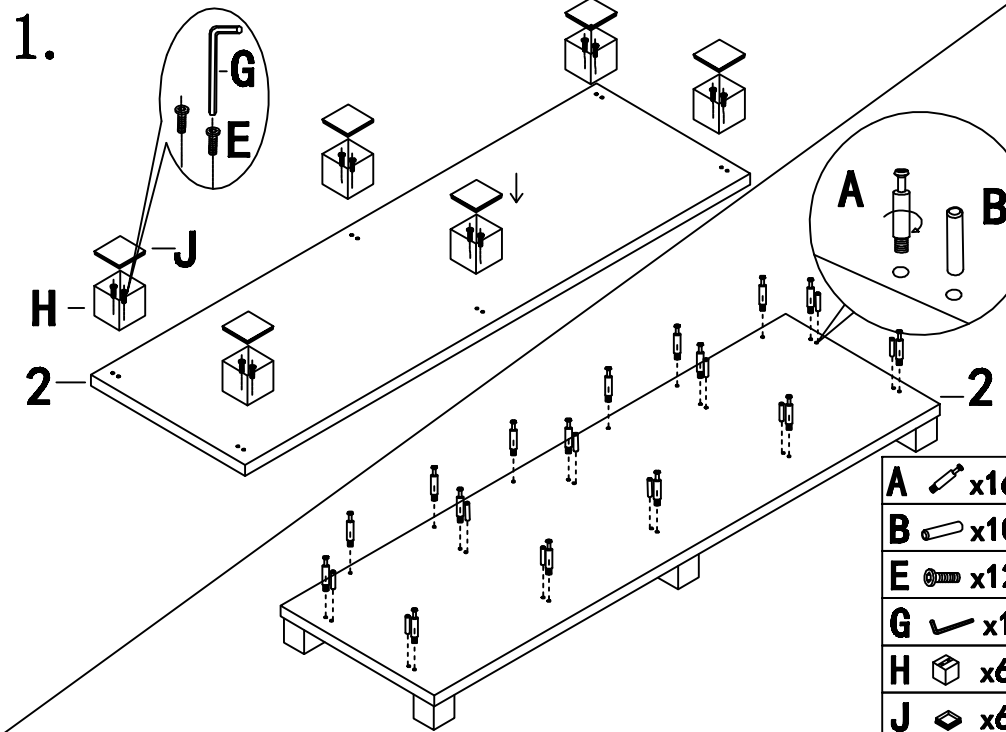
C  x8







H  x6

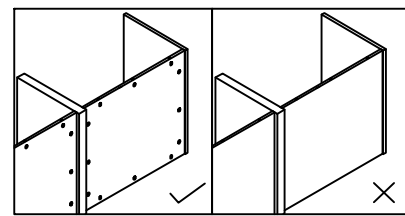
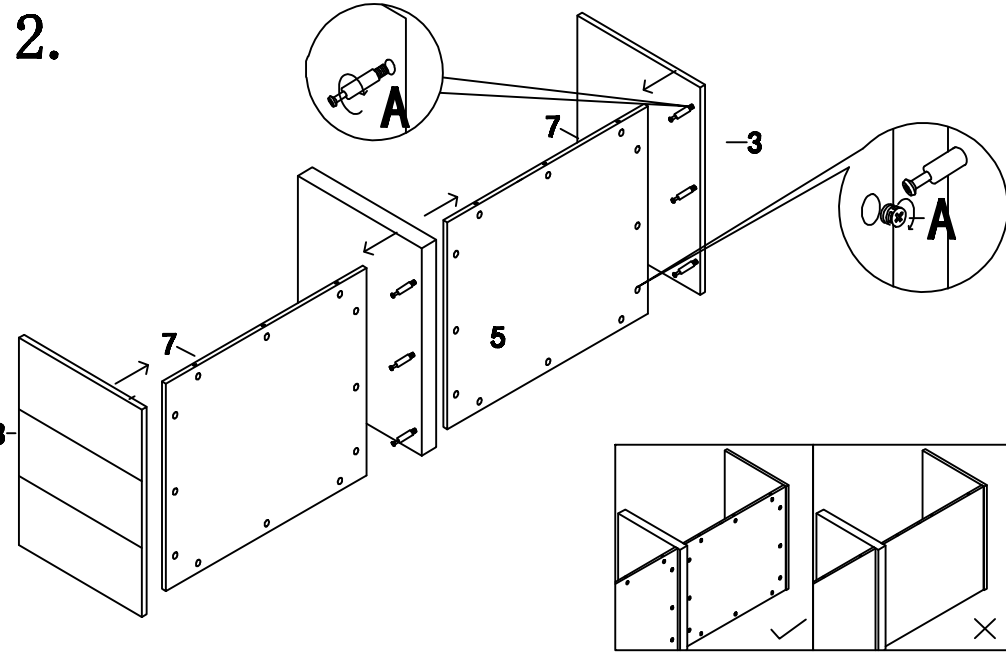
D  x48

J  x6

E  x12

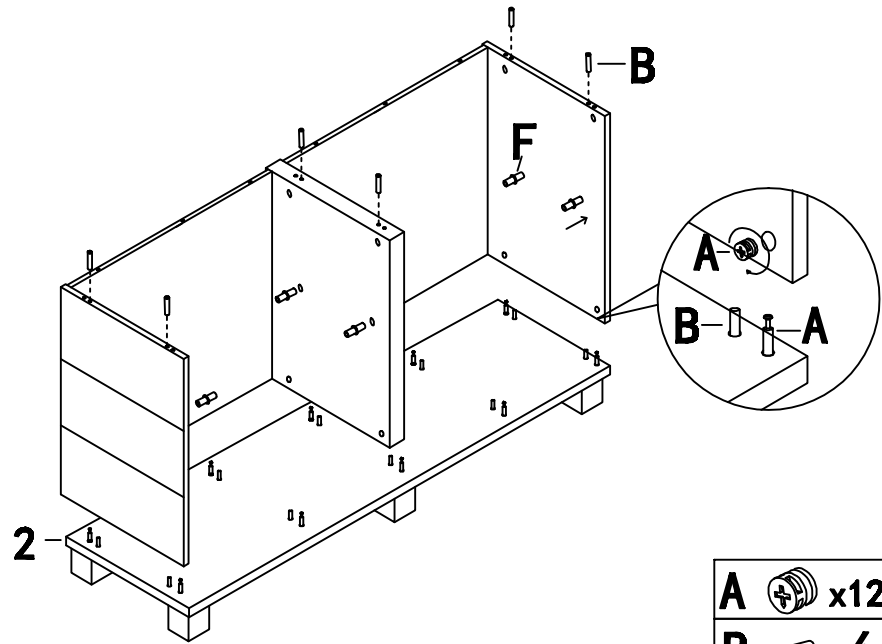



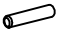

- A  x16
- B  x10
- E  x12
- G  x1
- H  x6
- J  x6



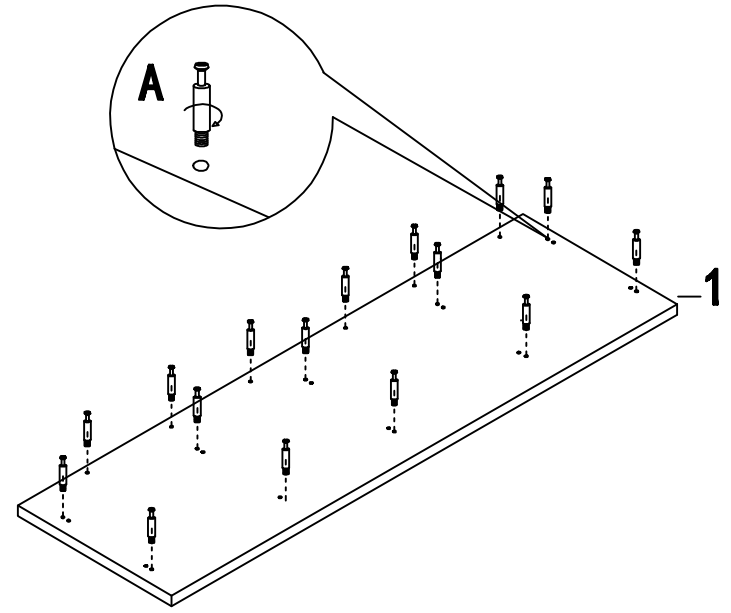
A  x12

3.



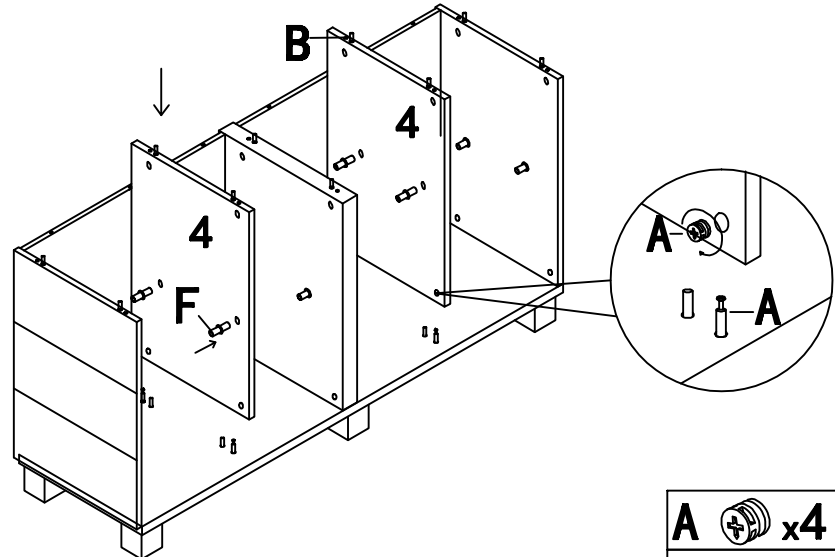
- A  x12
- B  x6
- F  x8


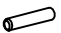

5.



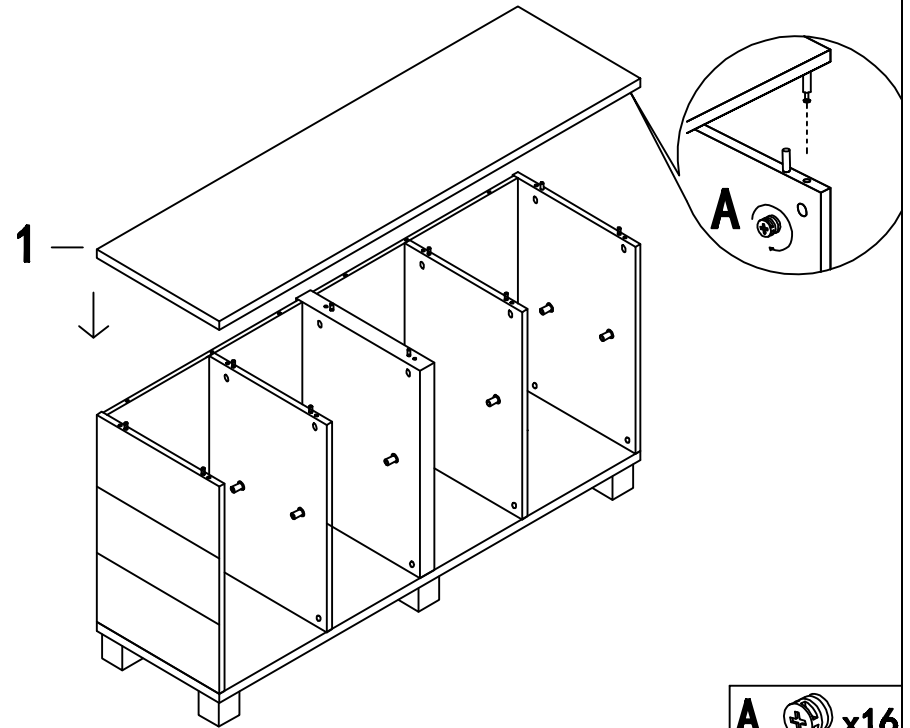
- A  x16

4.



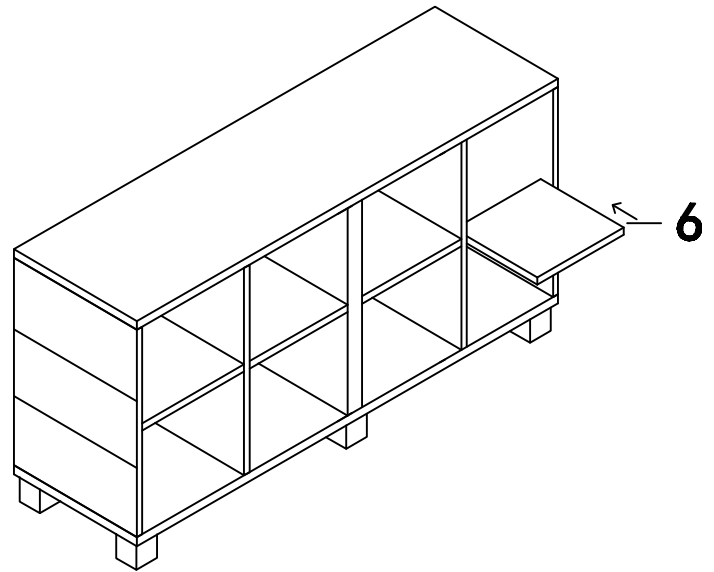
- A  x4
- B  x4
- F  x8

6.

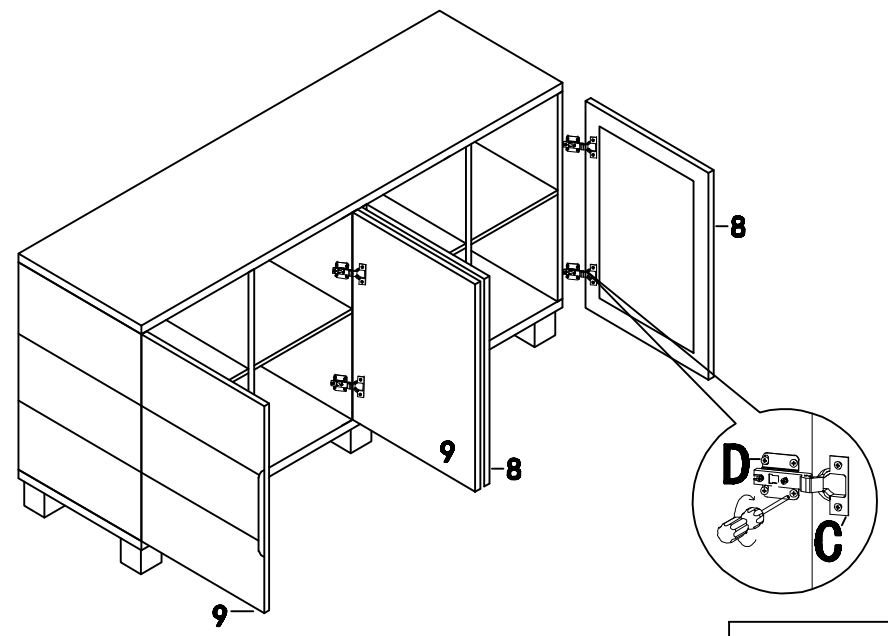


- A  x16

7.

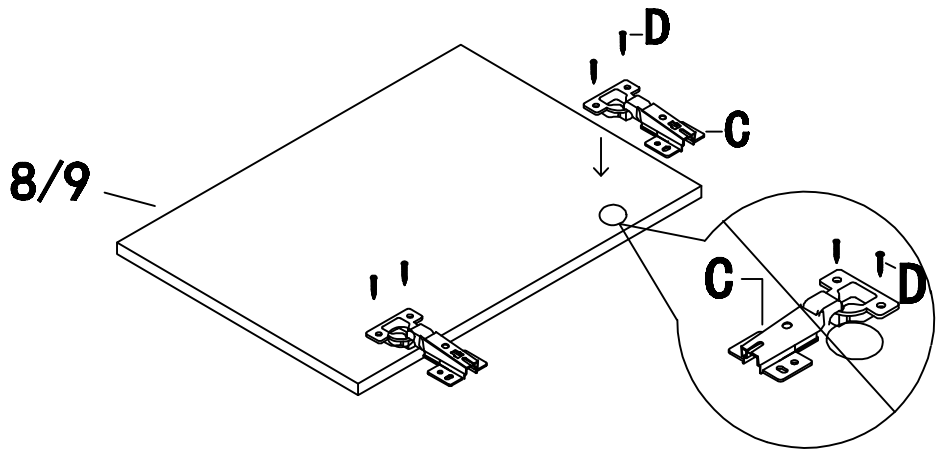




9.



**D**  x32

8.



**C**  x8  
**D**  x16

10.

