
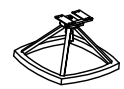



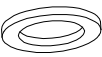
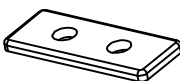


A		X1
B		X1
C	 1/4	X1
D	 M8*25	X4
E	 M8	X4
F	 M8	X4
G	 X2	X2



Lock the screws into 3/4 parts according to the instructions, after levelling the product, tighten all the screws at the end.

