

SPECIFICATIONS

Features/Benefits

- 1.2 gpm (4.5 L/min) Max Flow @ 60 psi with Laminar Water Stream
- 1 9/16" Spout Height, 7 13/16" Spout Reach
- Includes Metal Touch Down Drain Assembly
- 3-Hole Wall Mount



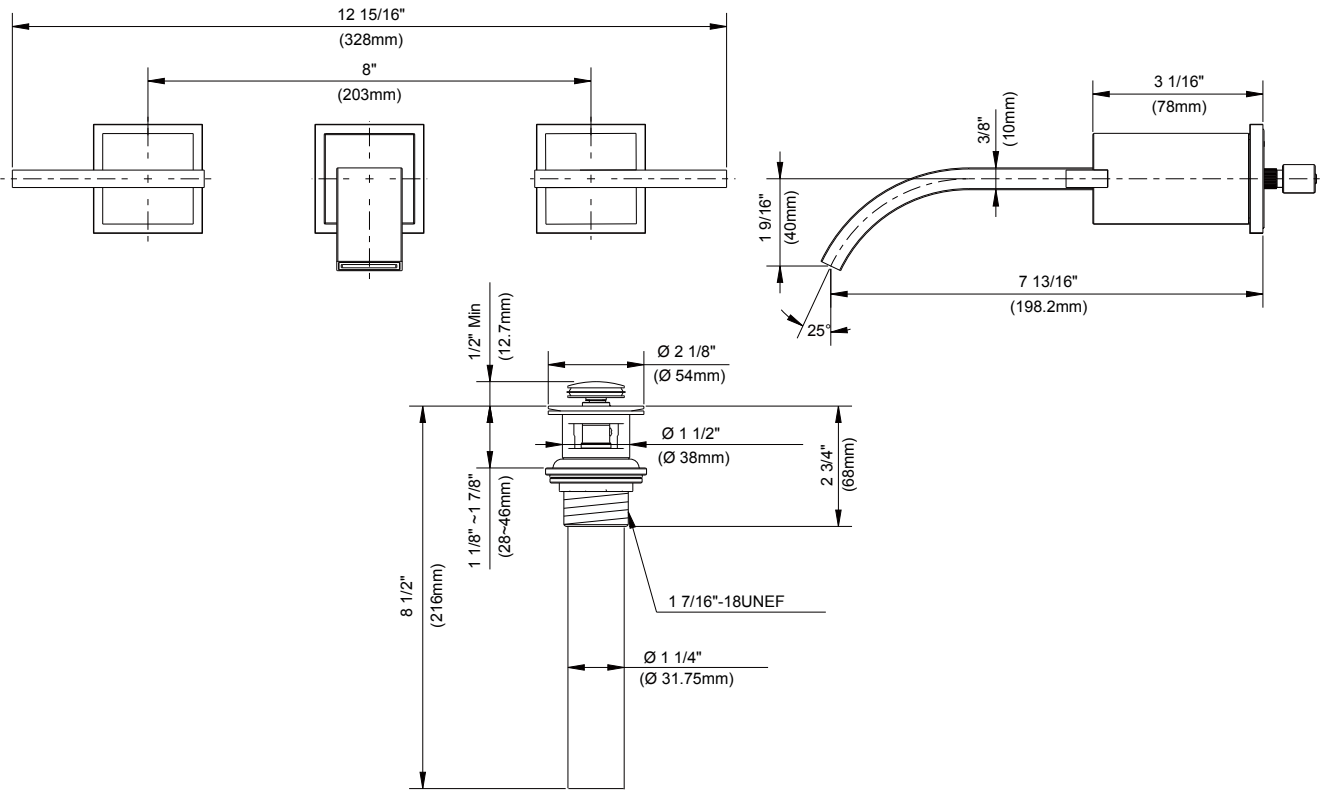
REQUIRES ADDITIONAL PURCHASE: Part # D106800BT-2H wall mount ceramic disc valve with mounting plate - SOLD SEPERATELY

Available Color/Finishes

Chrome

Please see gerberonline.com or current price list for available finishes. Finish is defined by additional suffix.

Standards & Certifications



Submittal Information:

Name: _____ Contractor: _____
 Location: _____ Contact #: _____