


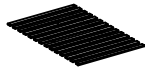

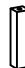


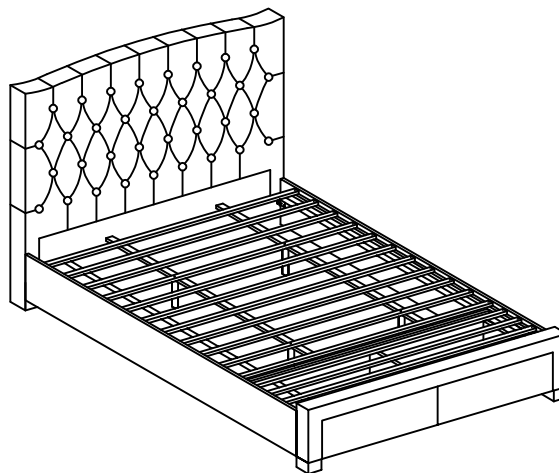


ASSEMBLY INSTRUCTIONS

Thank you for purchasing the quality product. Be sure to check all packing material carefully for small parts which may have come loose inside the carton during shipment. Separate, identify and count all parts and metal hardware. Compare with all parts list to be sure all parts are present. If any parts(s) are missing or damaged, please contact your local furniture dealer. For efficient and speedy service, please indicate the model number and code letter or part(s) needed.

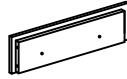

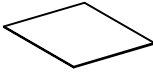
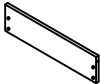

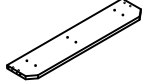
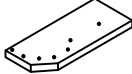




*****Do not fully tighten screws until fully assembled*****

		COMPONENT PART	
DESCRIPTION	PART NAME		QTY
(AA)	Headboard		1pc
(AB)	Footboard		1pc
(AC)	Side Rail		2pcs
(AD)	Slat (14 pcs)		1pc
(AE)	Center Rail		2pcs
(AF)	Support Legs		4pcs
(AG)	Drawer Slide		4pcs
(AH)	Drawer Slide		4pcs








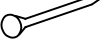



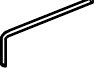

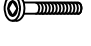




Attention:

*** Some number parts listed on the instruction sheet may not be in parts bag as they may already be assembled. Carefully check parts and packing materials prior to ordering replacements.

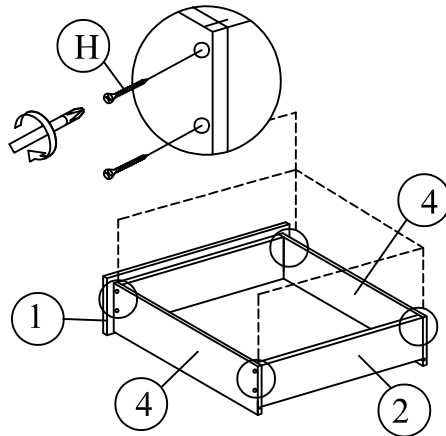
COMPONENT PART			
DESCRIPTION	PART NAME		QTY
①	Drawer Front Panel		2pcs
②	Drawer Back Panel		2pcs
③	Drawer Bottom Panel		2pcs
④	Drawer Side Panel		4pcs
⑤	Drawer Support Panel		4pcs
⑥	Drawer Frame Panel		1pc
⑦	Drawer Frame Divider		1pc
⑧	Drawer Frame Divider		1pc
⑨	Drawer Center Divider		1pc
⑩	Drawer Frame Support		1pc
⑪	Drawer Frame Support		1pc

HARDWARE REQUIRED

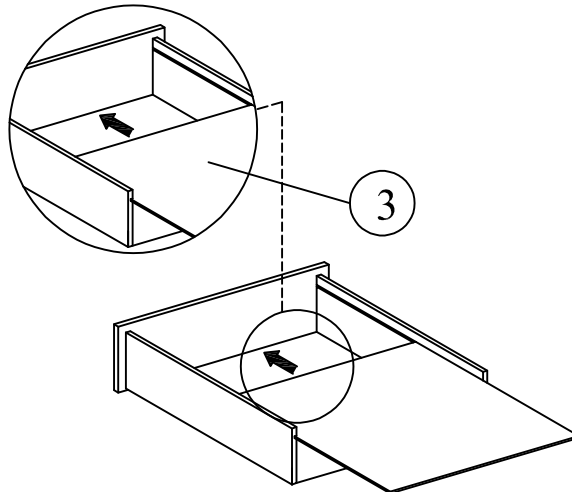
- | | | | | | |
|---|---|--------------------------------|---|--|-------------------------|
| Ⓐ |  | Plastic Dowel (8 x 25) - 15pcs | Ⓙ |  | Mini Fix Bolt - 6pcs |
| Ⓑ |  | JCBC W M6 x 40 - 9pcs | Ⓚ |  | Mini Fix Housing - 6pcs |
| Ⓒ |  | JCBC M6 x 40 - 2pcs | Ⓛ |  | Mini Fix Cap - 6pcs |
| Ⓓ |  | JCBC M6 x 60 - 4pcs | Ⓜ |  | Power Nail 6/8 - 24pcs |
| Ⓔ |  | CSK Screw 16mm - 24pcs | Ⓝ |  | White Nail 6 - 9pcs |
| Ⓕ |  | CSK Screw 25mm - 2pcs | Ⓞ |  | M4 x 65mm - 1pc |
| Ⓖ |  | CSK Screw 32mm - 38pcs | Ⓟ |  | JCBC M6 x 30 - 8pcs |
| Ⓗ |  | CSK Screw 50mm - 16pcs | | | |
| Ⓘ |  | M6 Flat Washer - 10pcs | | | |

How to assemble:

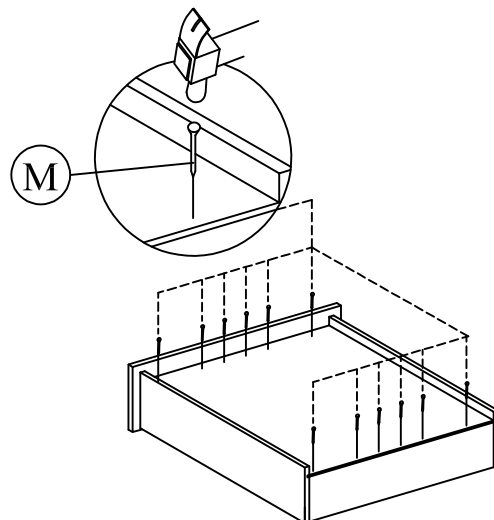
STEP 1



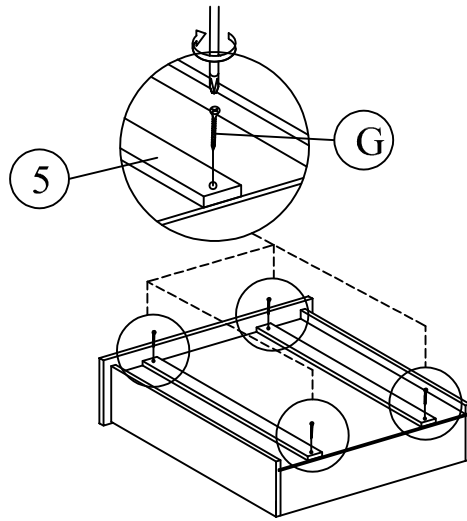
STEP 2



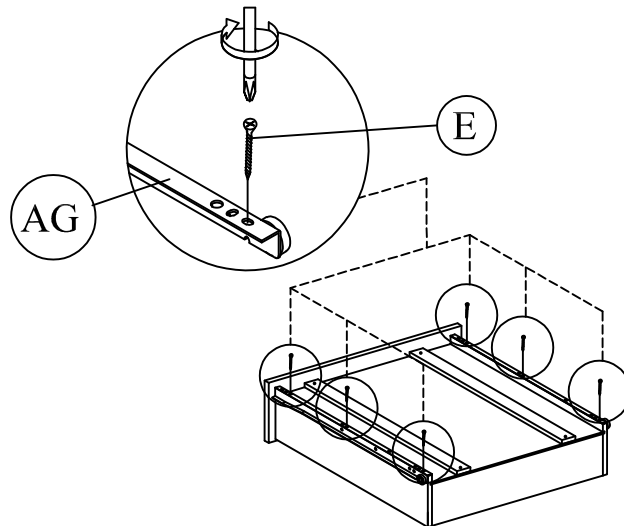
STEP 3



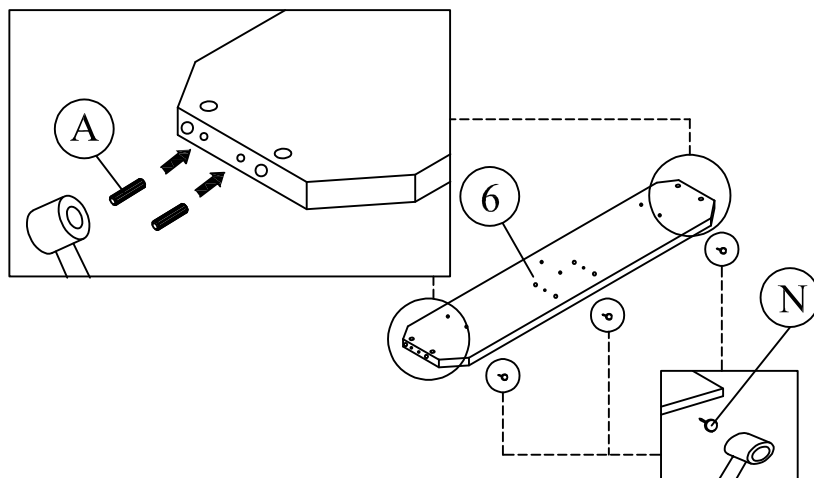
STEP 4



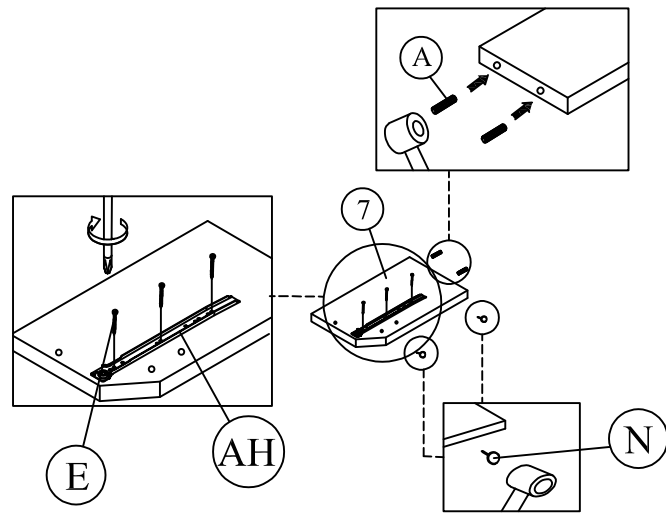
STEP 5



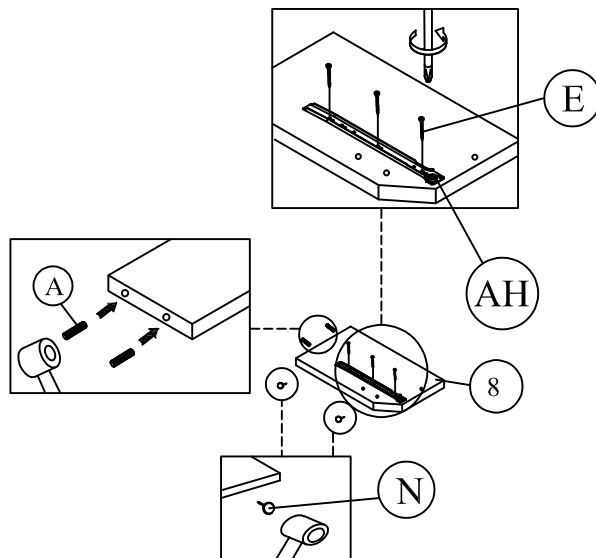
STEP 6



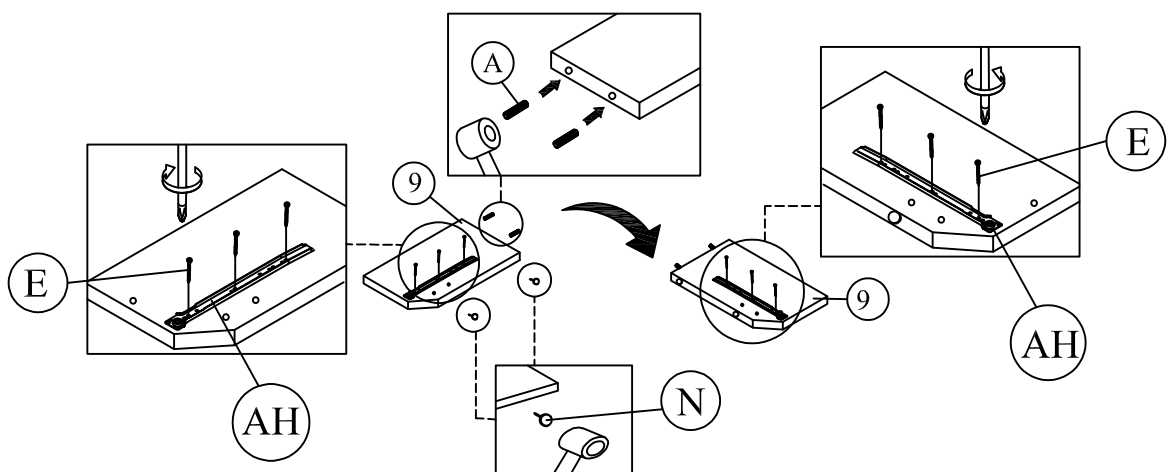
STEP 7



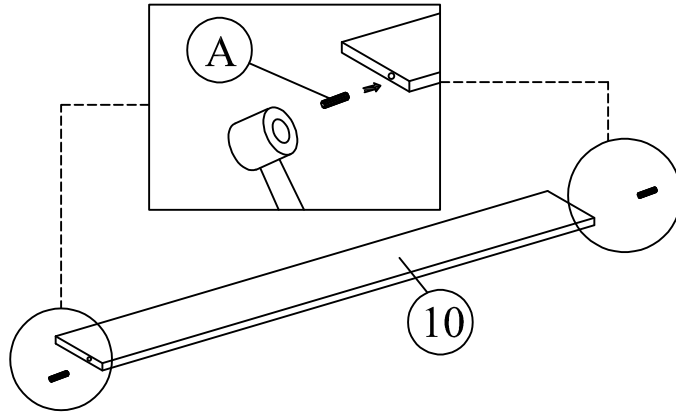
STEP 8



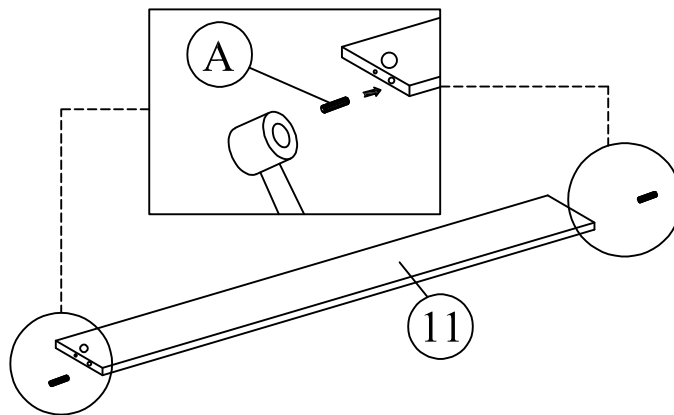
STEP 9



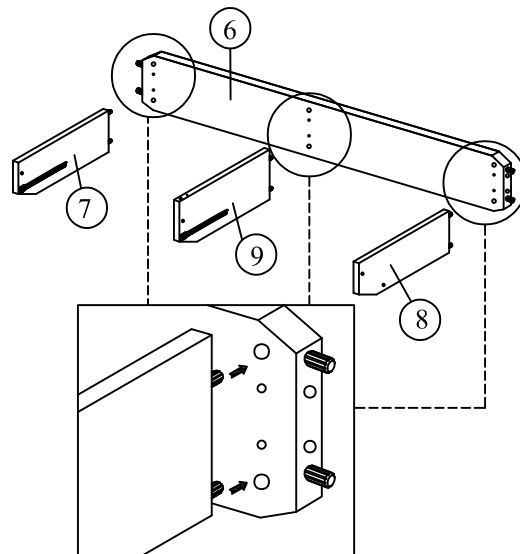
STEP 10



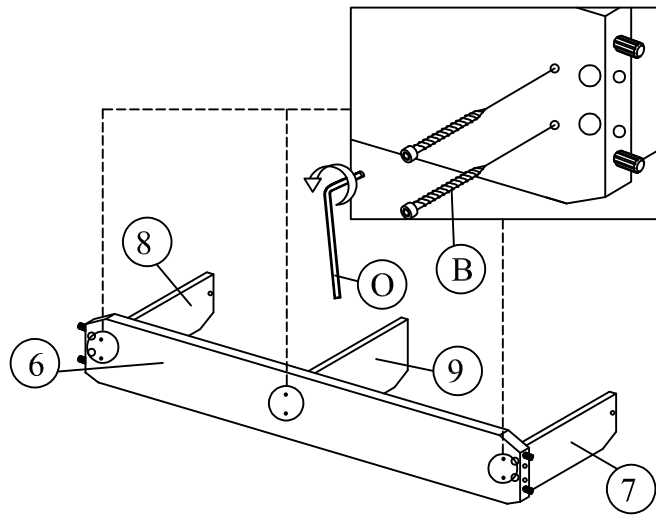
STEP 11



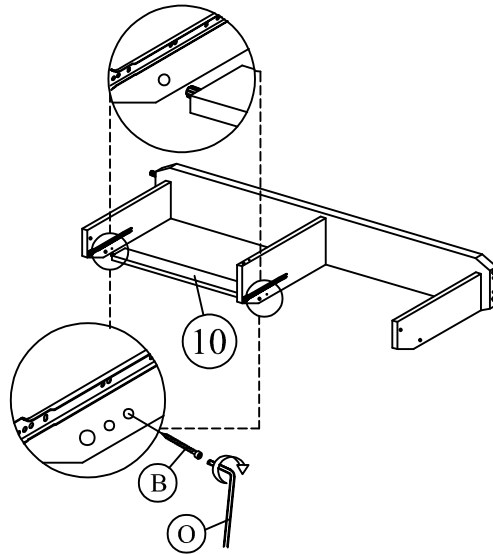
STEP 12



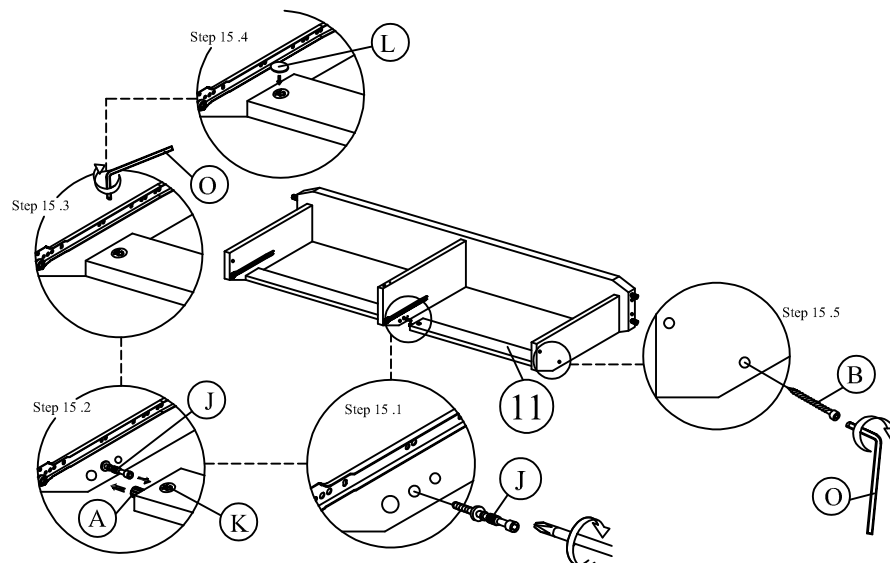
STEP 13



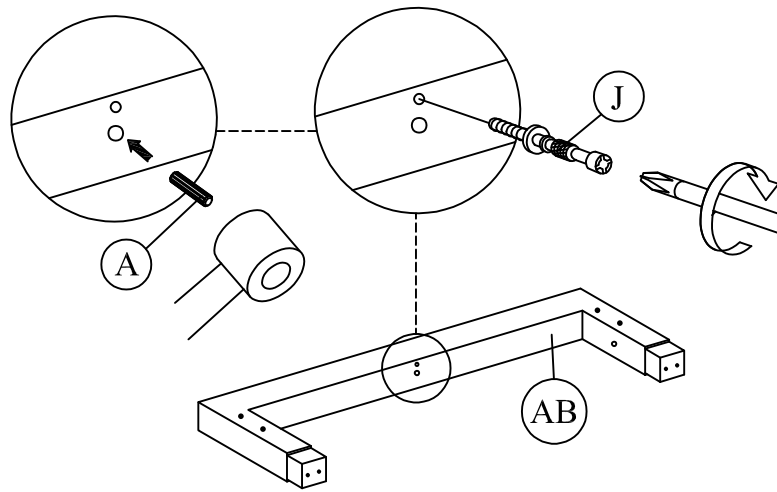
STEP 14



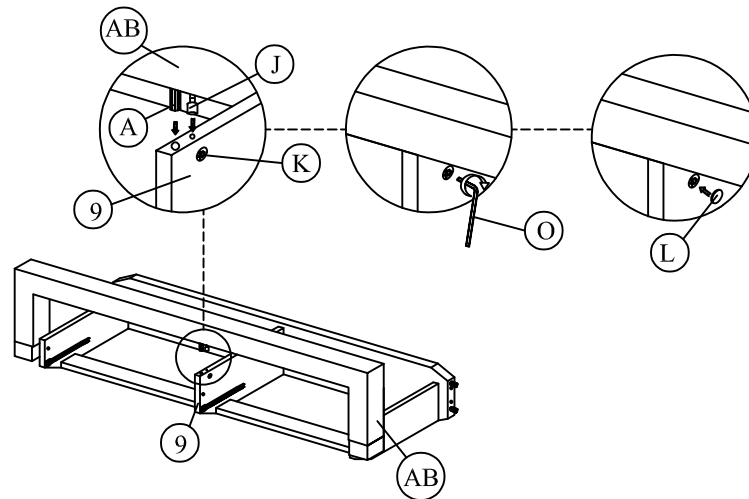
STEP 15



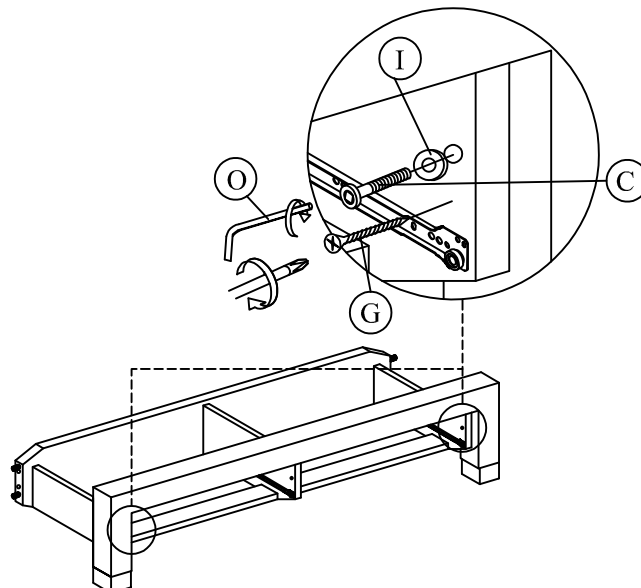
STEP 16



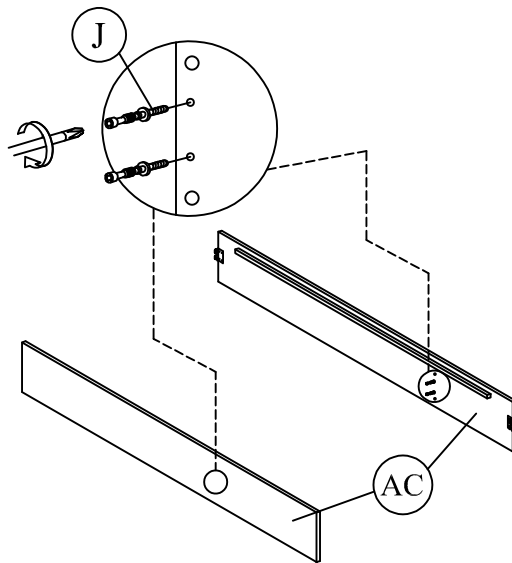
STEP 17



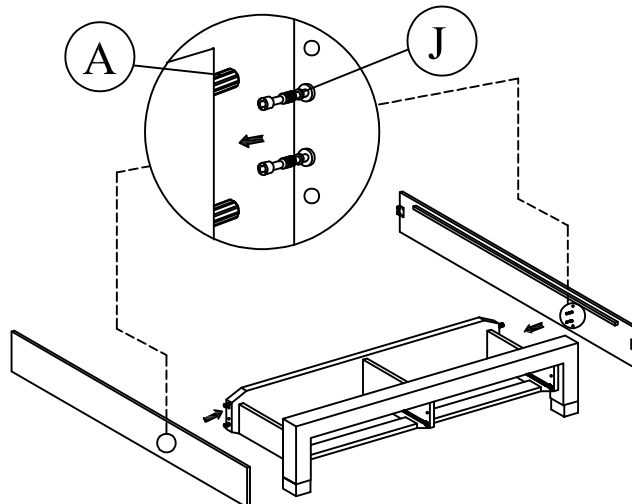
STEP 18



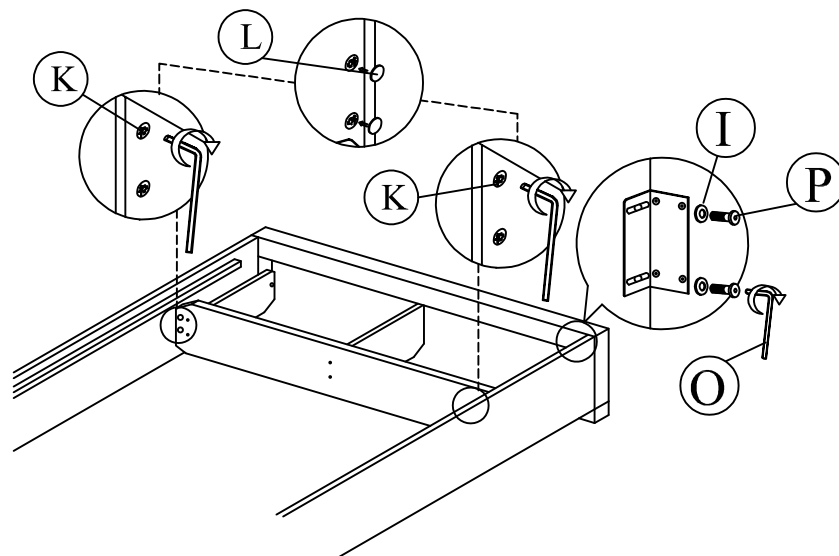
STEP 19



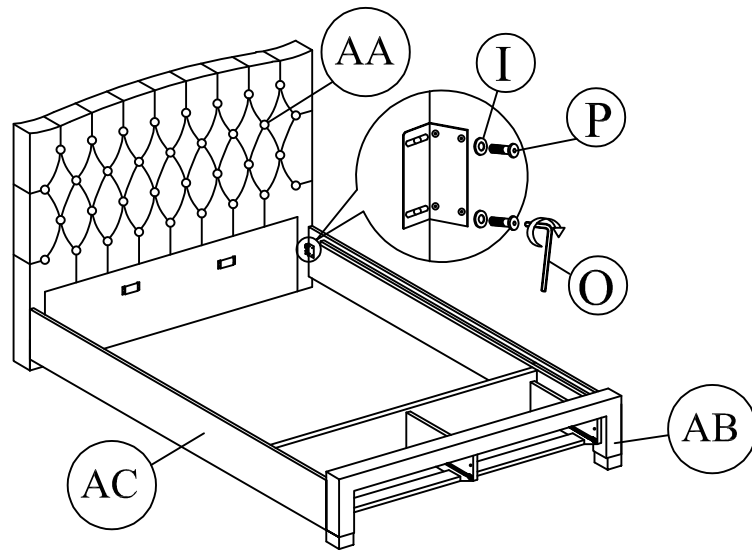
STEP 20



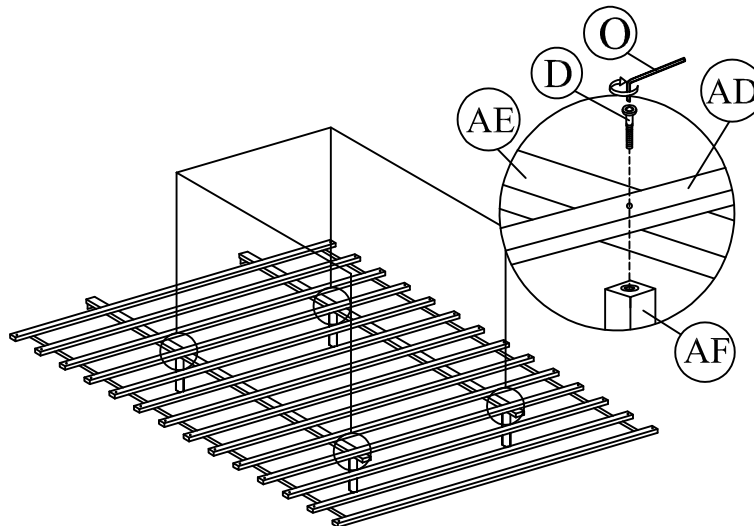
STEP 21



STEP 22



STEP 23



STEP 24

