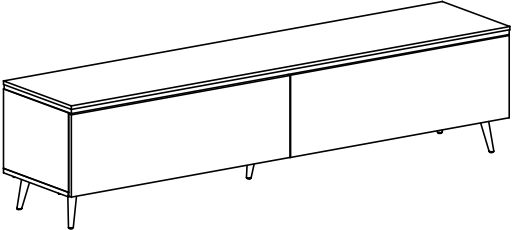
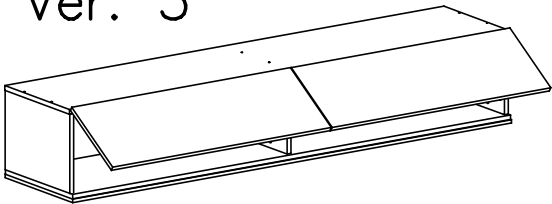


Installation & Assembly

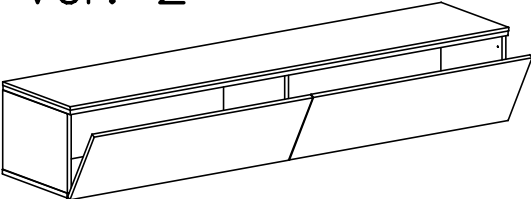
Ver. 1



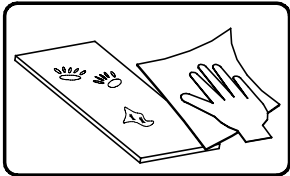
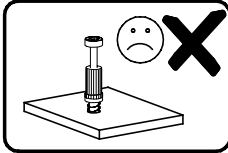
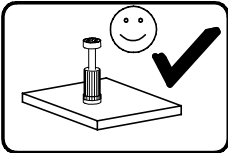
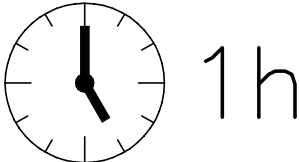
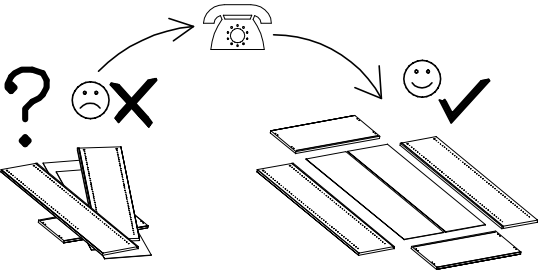
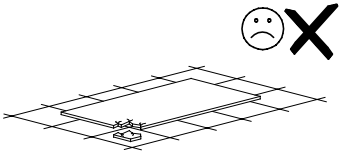
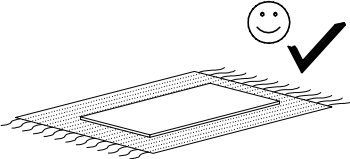
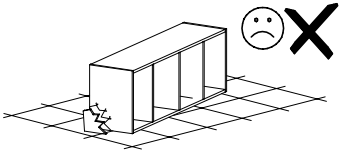
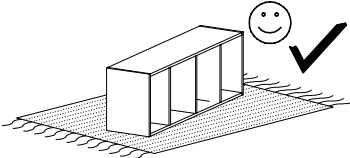
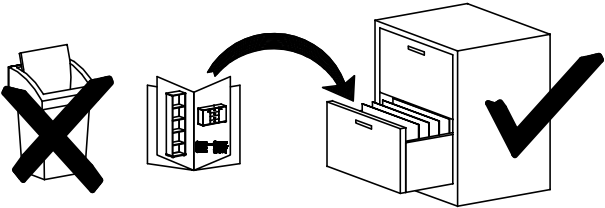
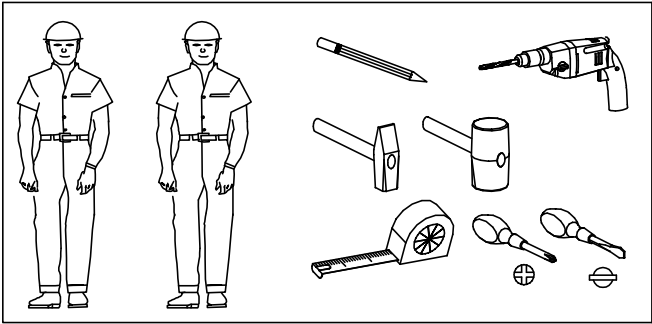
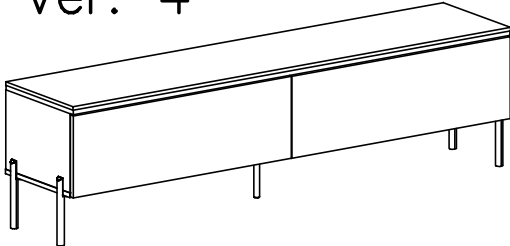
Ver. 3

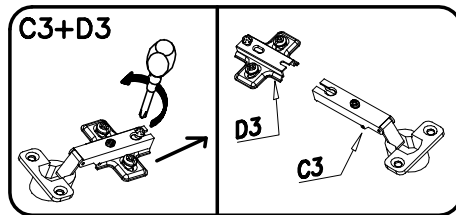
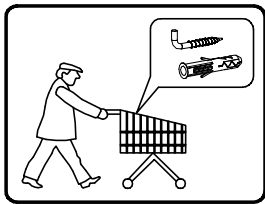
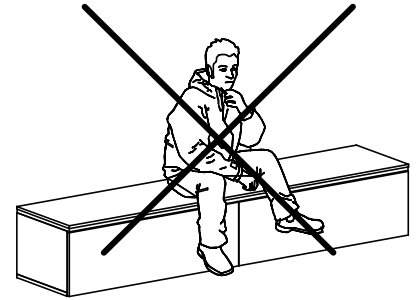
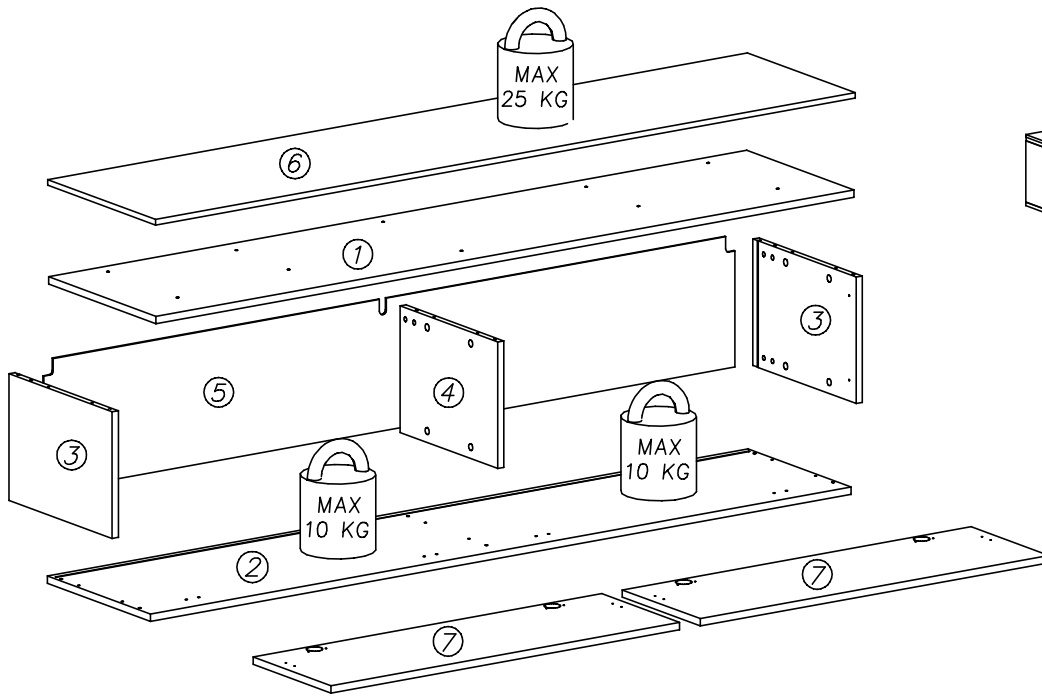
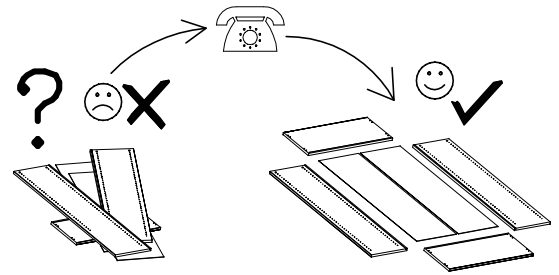
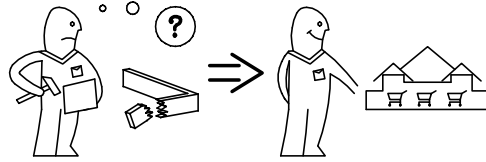
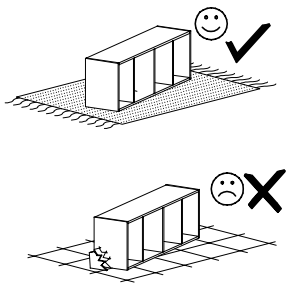


Ver. 2

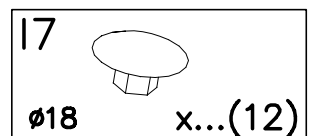


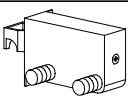
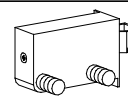
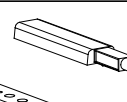
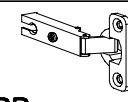
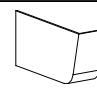
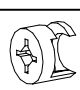
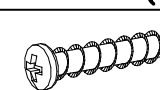
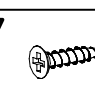
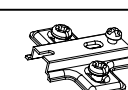

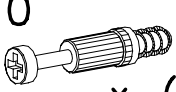

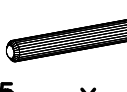

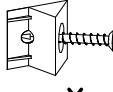
Ver. 4

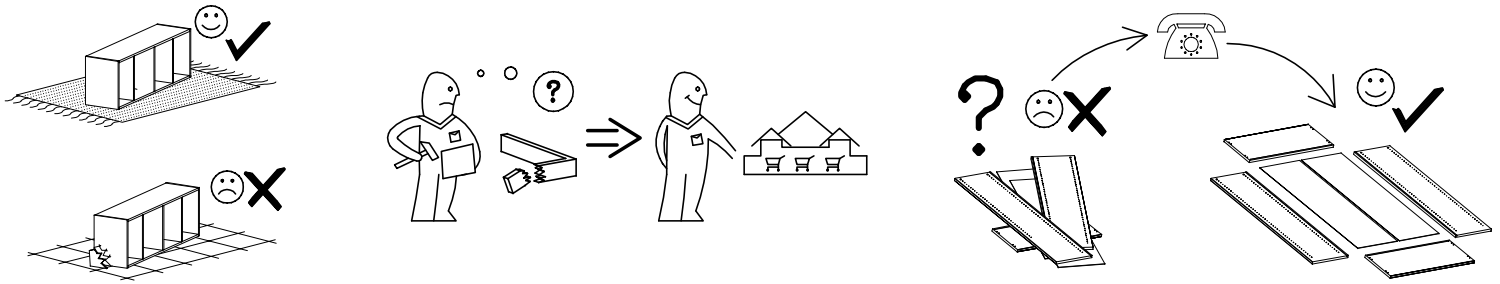




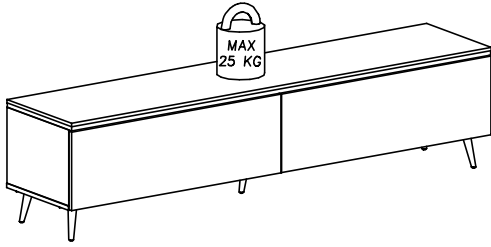
nr	L[mm]	B[mm]	T[mm]	Menge	Colli
1	1796	394	16	1	1/1
2	1800	379	16	1	1/1
3	276	379	16	2	1/1
4	276	359	16	1	1/1
5	1778	288	3	1	1/1
6	1800	396	10	1	1/1
7	897	287	16	2	1/1


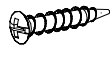
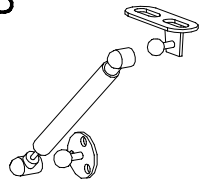



U9L  x...(1)	U9R  x...(2)	L13  x...(2)	C3  Z35PR x...(4)	U10R  x...(2)
K1  ø15x12 x...(12)	G55  6x22 x...(10)	G57  3,5x16 x...(4)	D3  H=2 PZ35PR x...(4)	U10L  x...(1)
K10  x...(12)	I8  ø14 x...(4)	B2  ø6x35 x...(12)	G34  3,5x16 x...(11)	I1  x...(10)

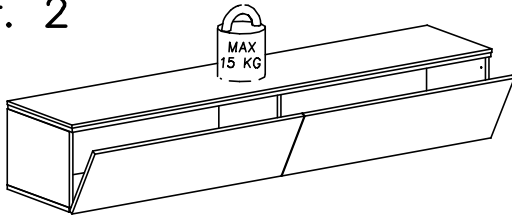


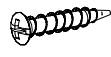
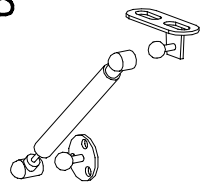
Ver. 1



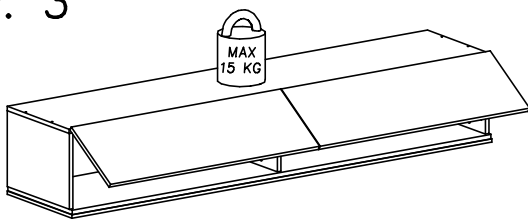
<p>G4 4x16 x...(20)</p> 	<p>G32 3,5x16 x...(10)</p> 	<p>L8 x...(2)</p> 
<p>LEG x...(5)</p> 		

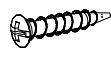
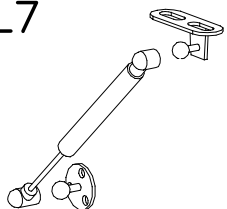
Ver. 2



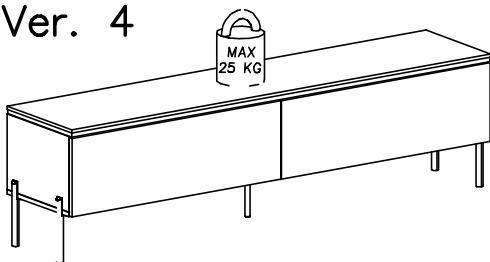
<p>G32 3,5x16 x...(10)</p> 	<p>L8 x...(2)</p> 
--	--





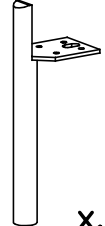
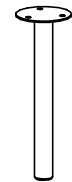
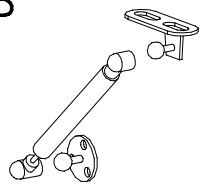
Ver. 3



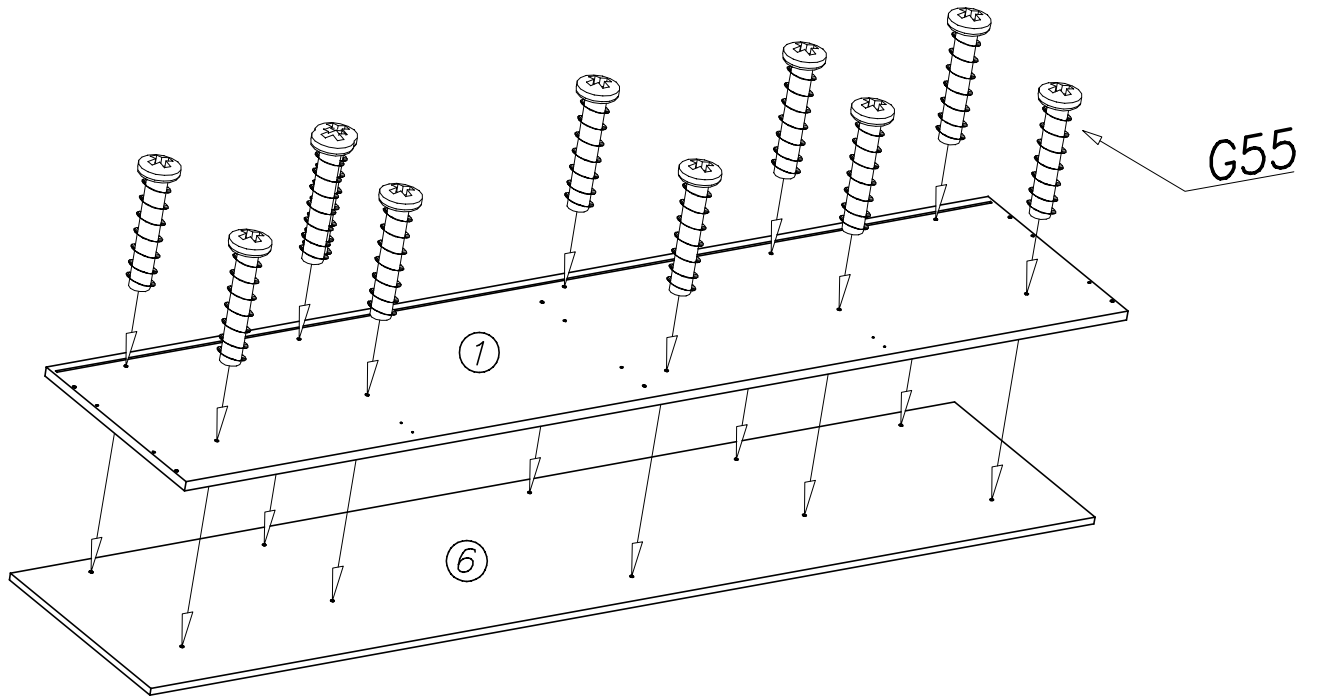
<p>G32 3,5x16 x...(10)</p> 	<p>L7 x...(2)</p> 
--	---

Ver. 4

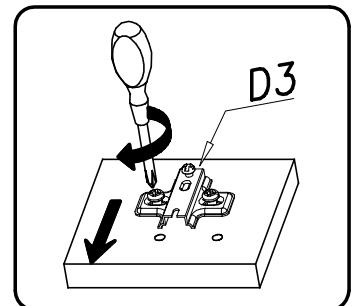
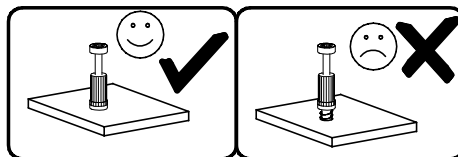
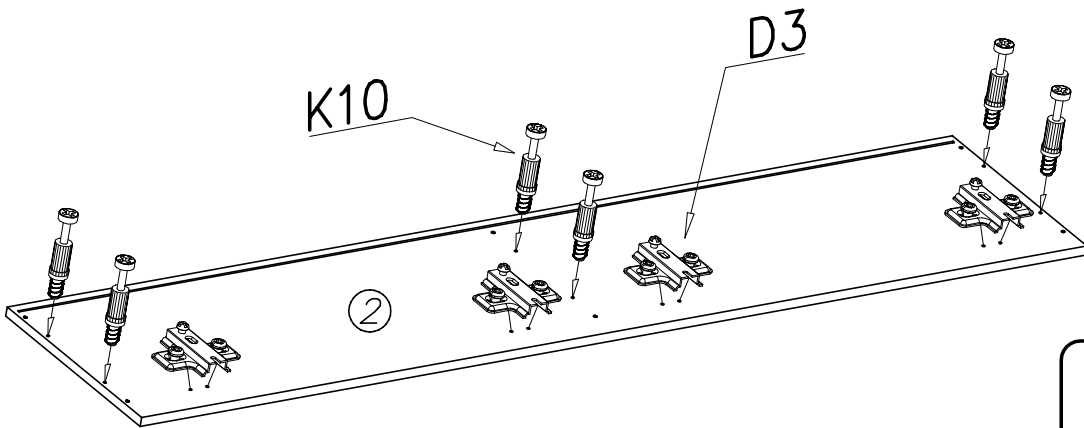
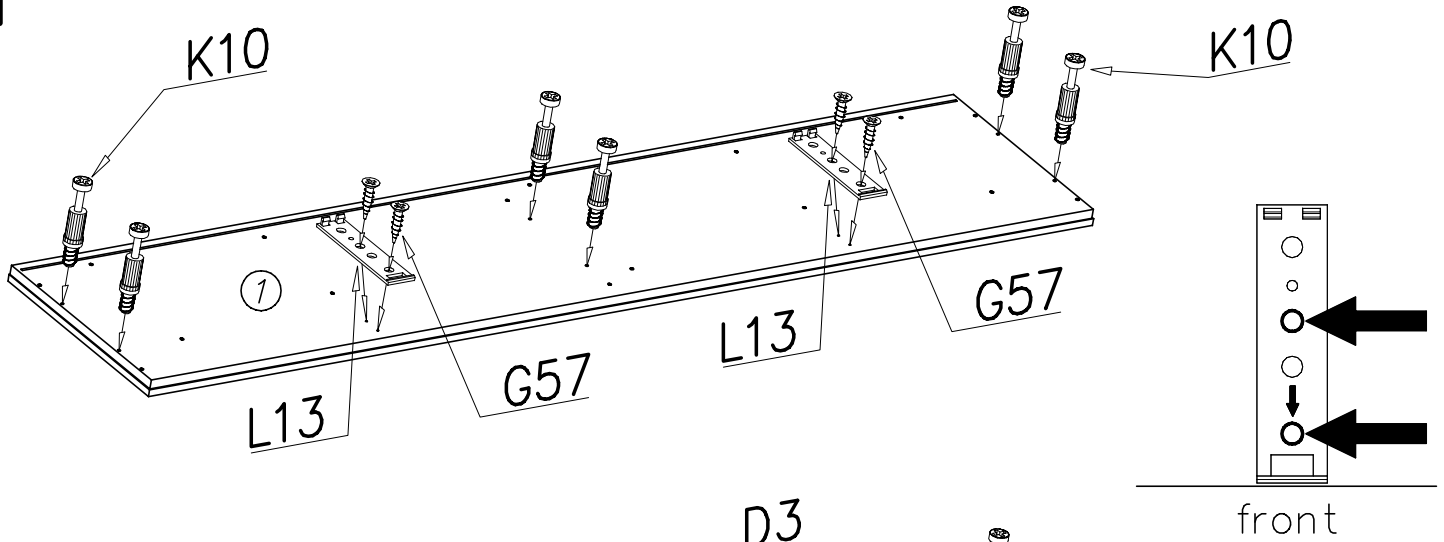


<p>G4 4x16 x...(11)</p> 	<p>G43 5x20 x...(4)</p> 	<p>S13 x...(4)</p> 	<p>G32 3,5x16 x...(10)</p> 
<p>P47 x...(4)</p> 	<p>P46 x...(1)</p> 	<p>L8 x...(2)</p> 	

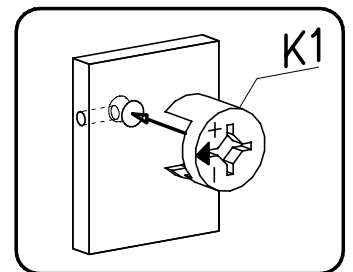
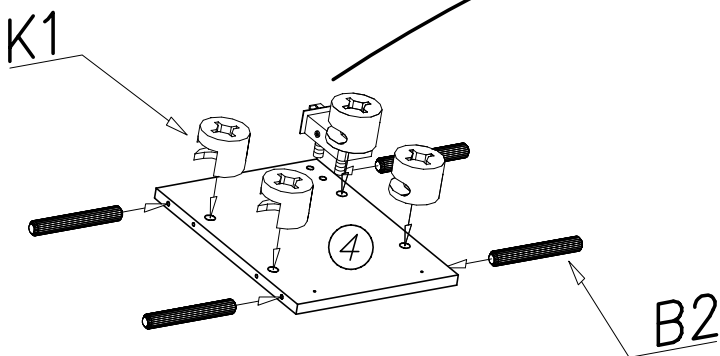
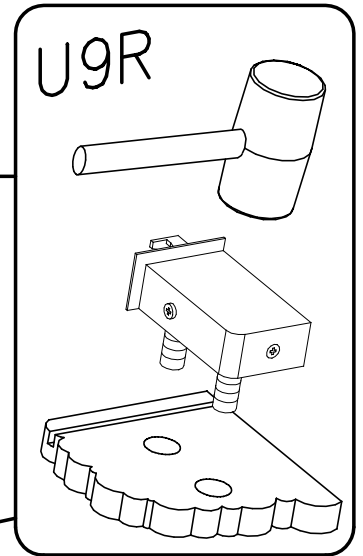
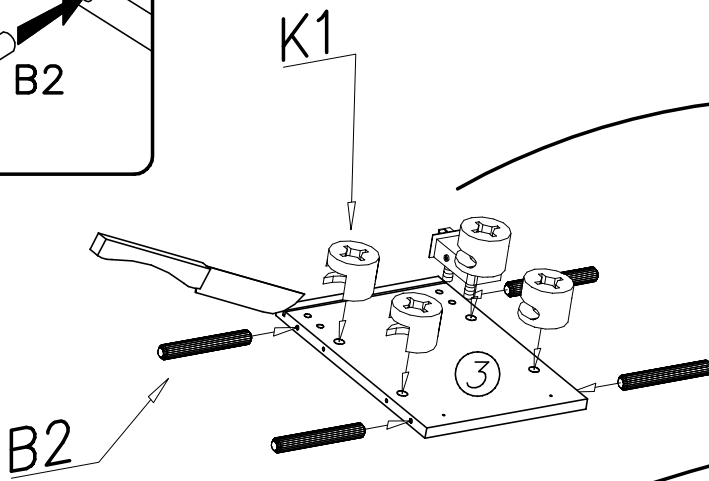
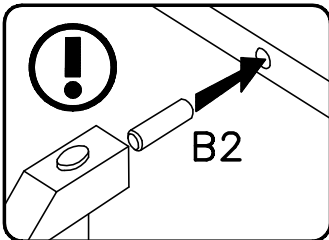
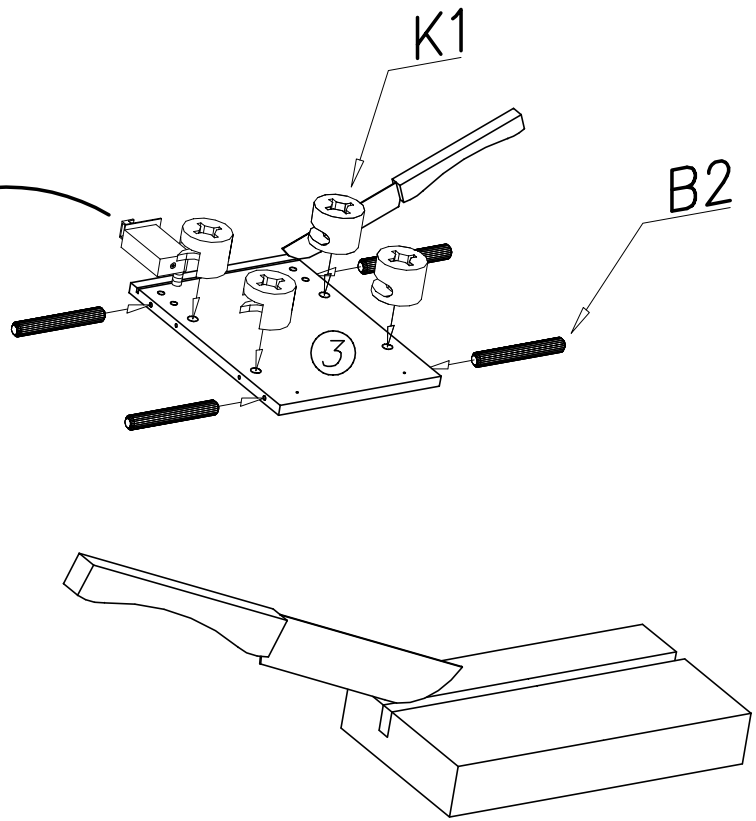
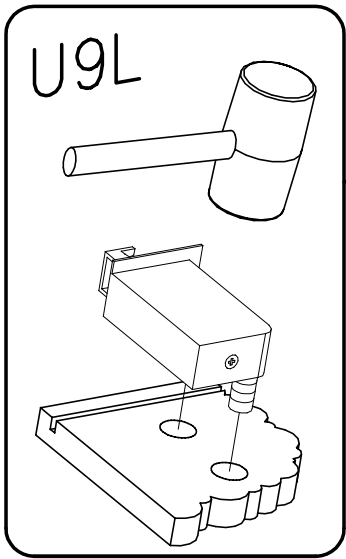
I



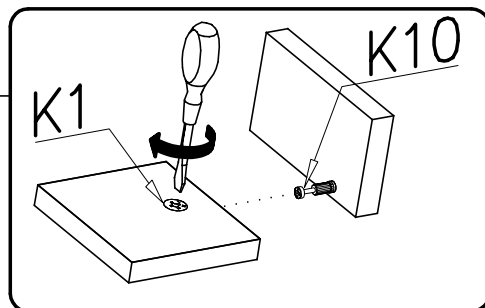
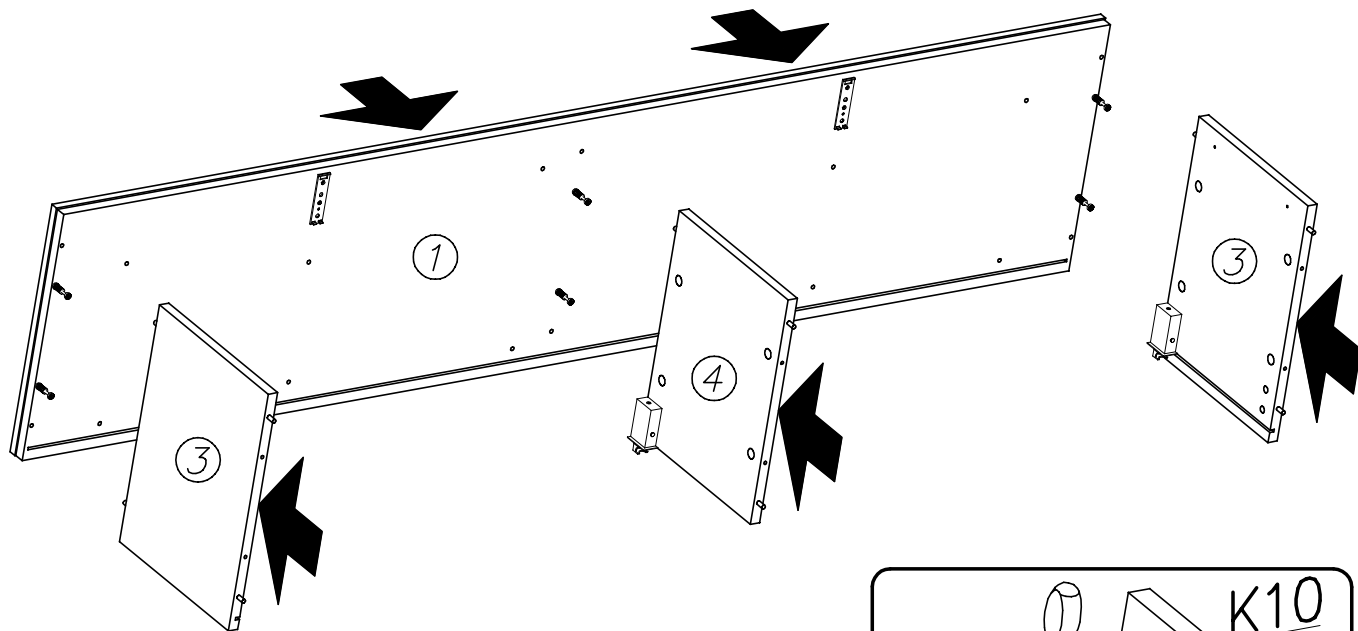
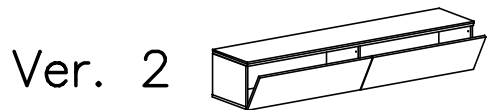
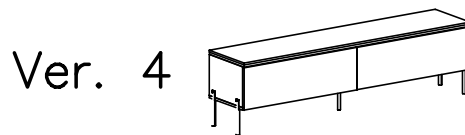
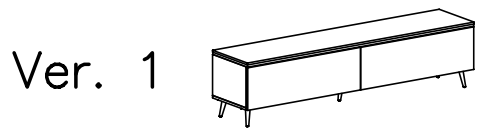
II



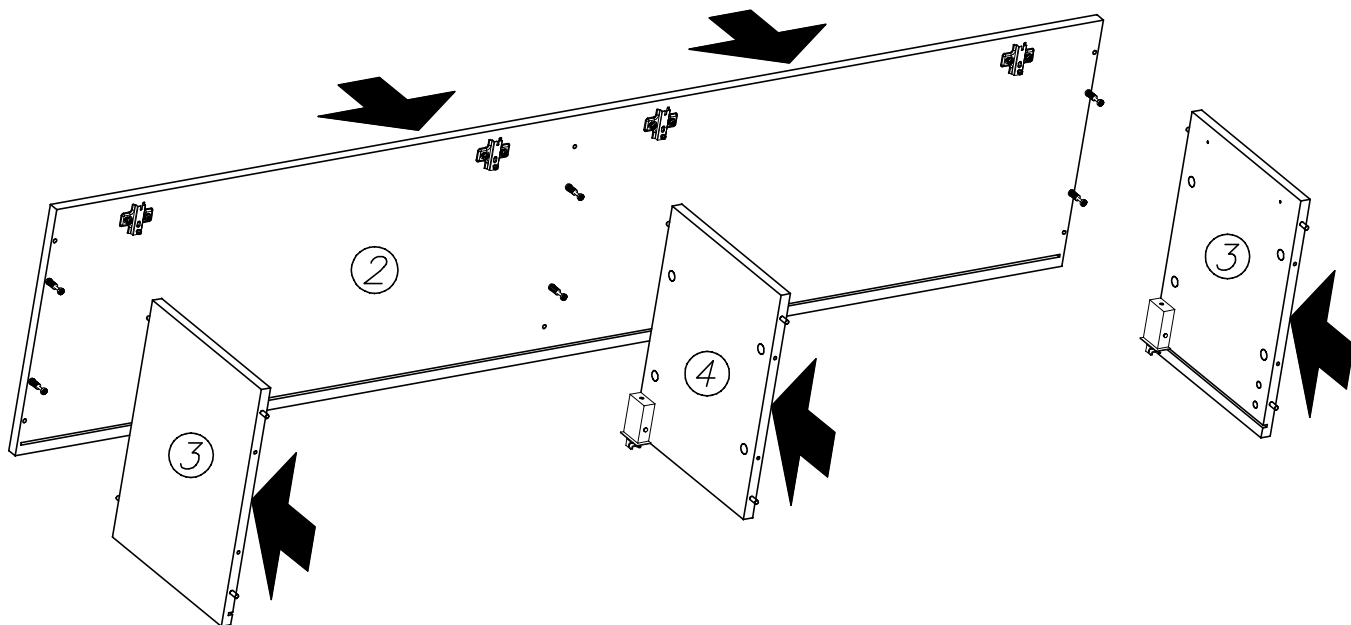
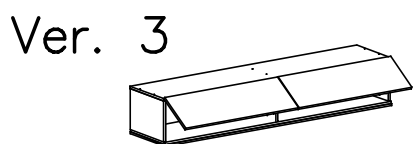
III



IV

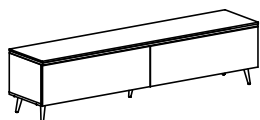


V

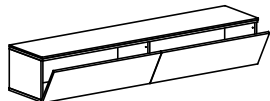


VI

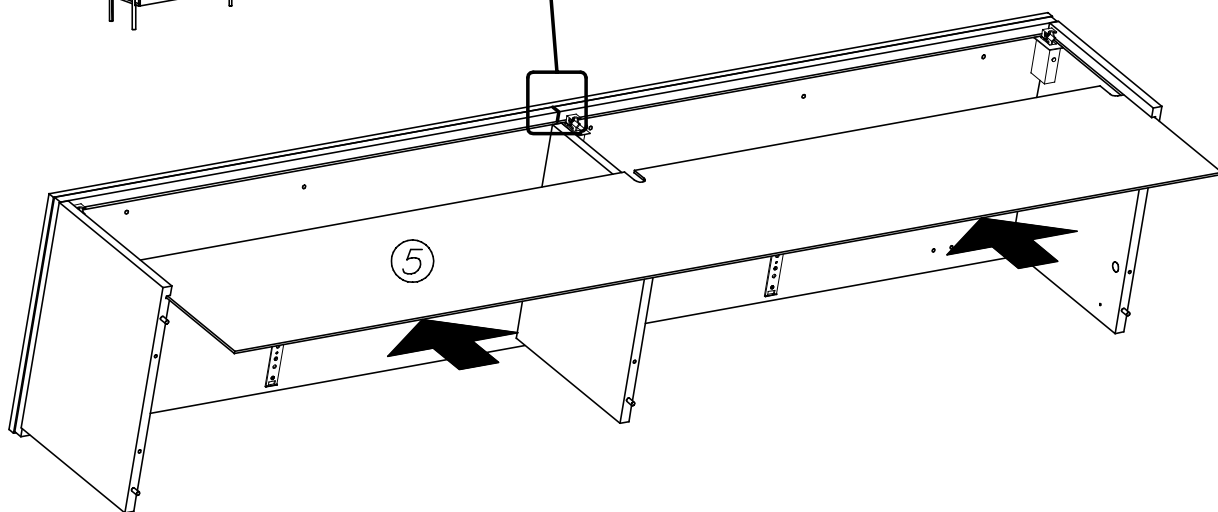
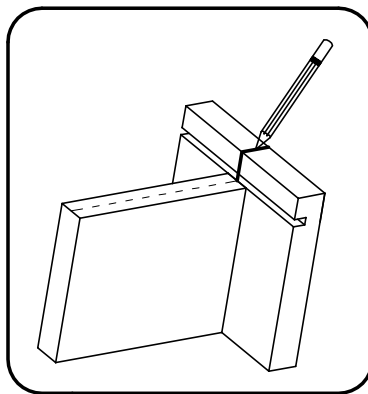
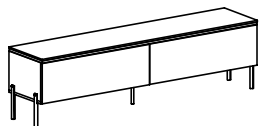
Ver. 1



Ver. 2

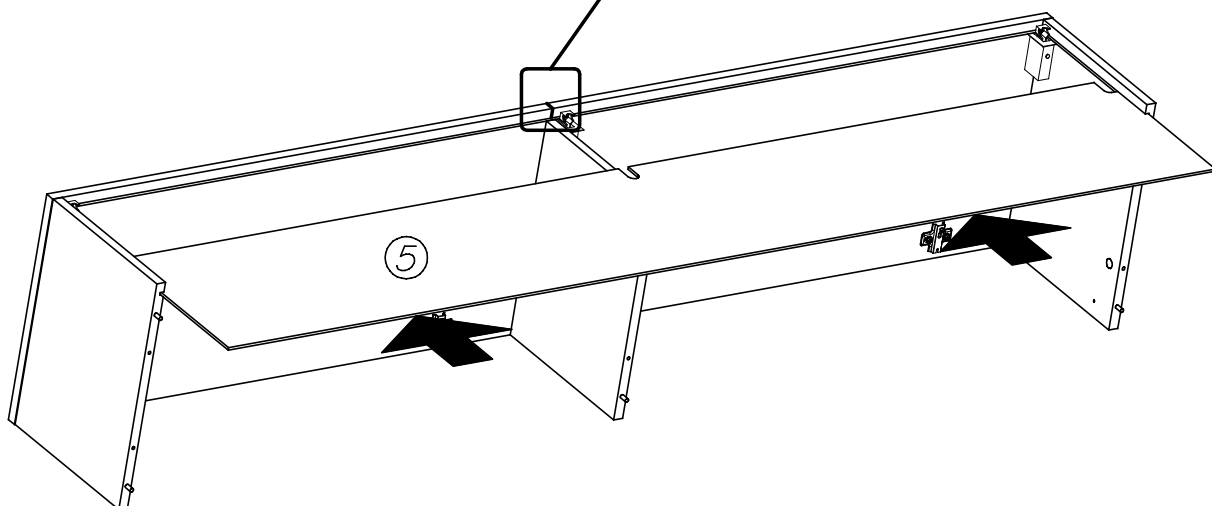
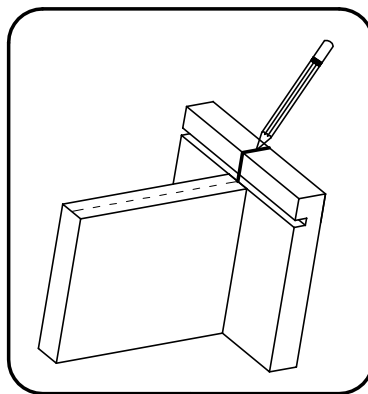
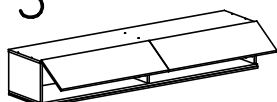


Ver. 4

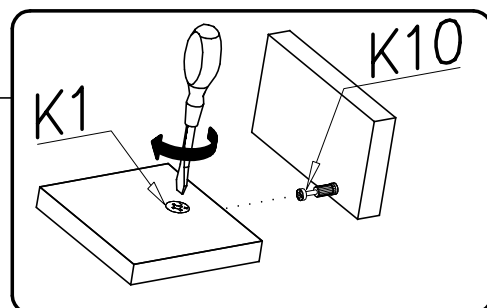
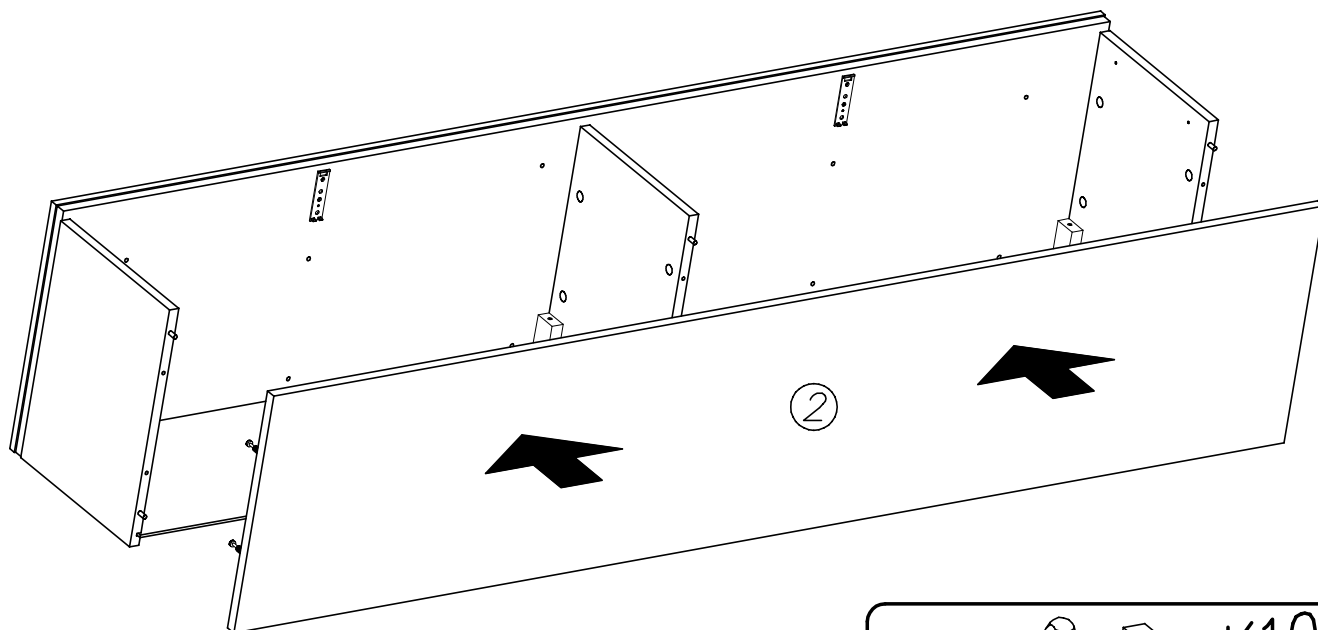
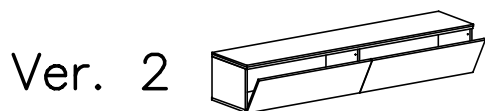
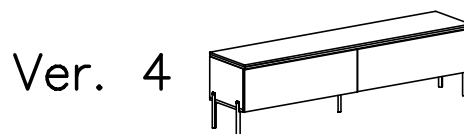
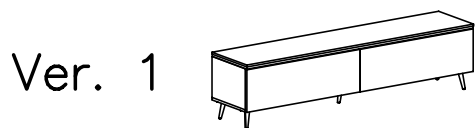


VII

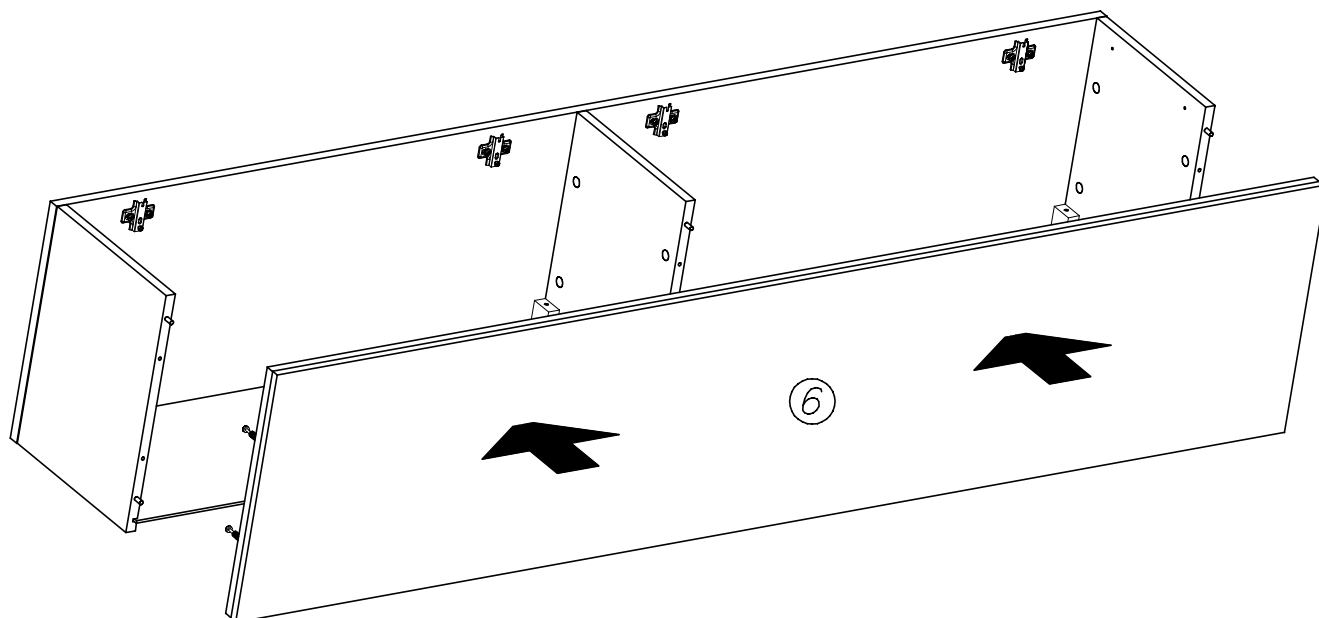
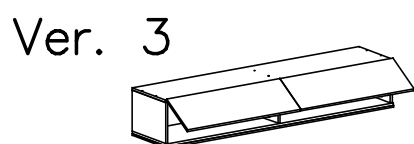
Ver. 3



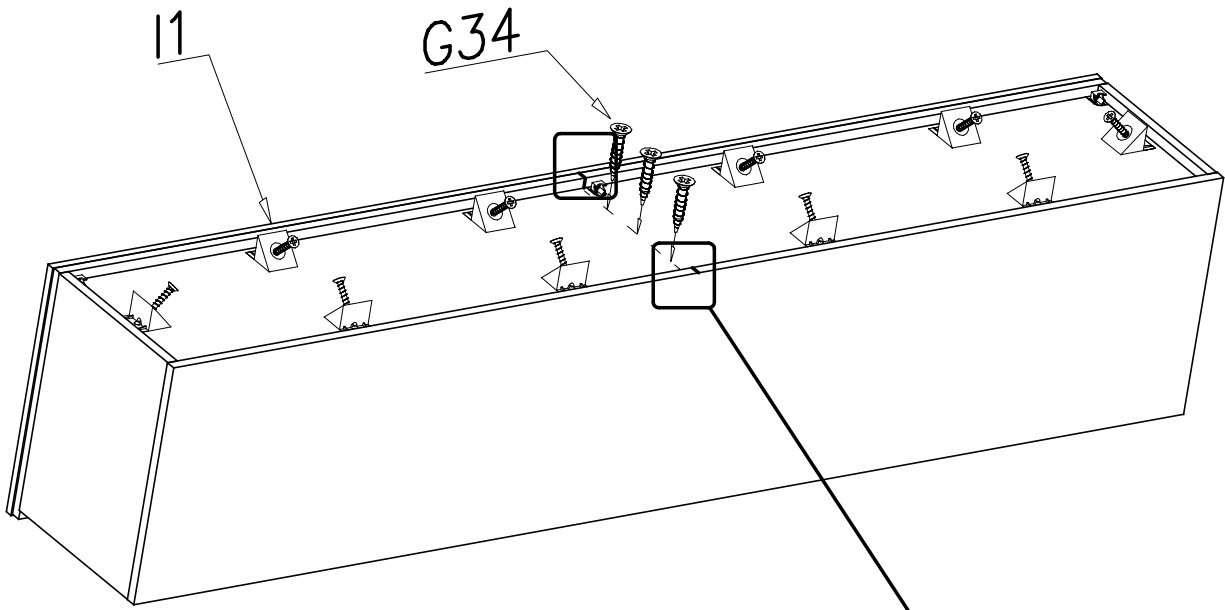
VIII



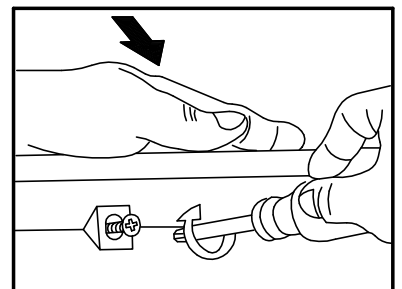
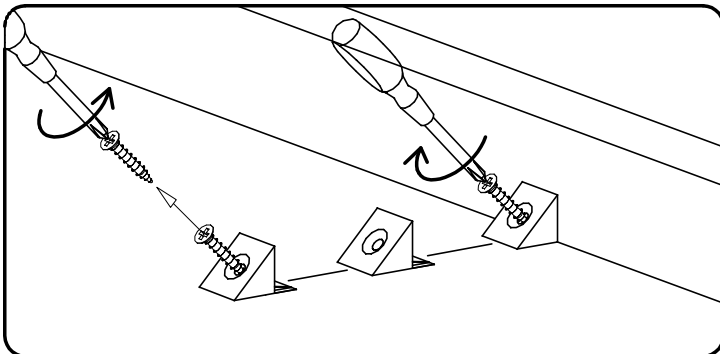
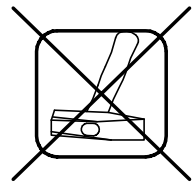
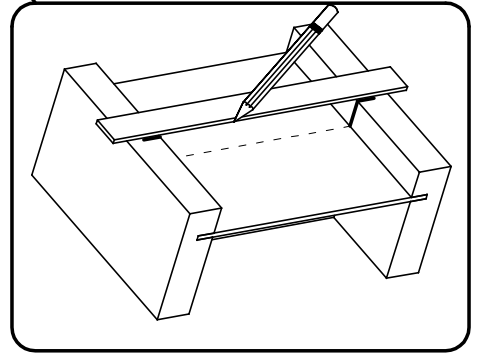
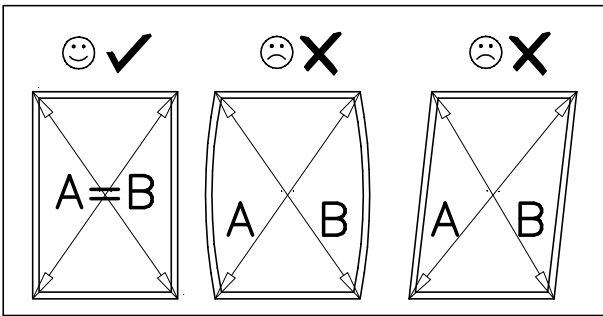
IX



X

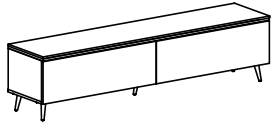


A = B

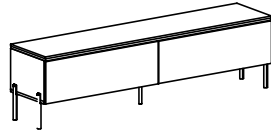


XI

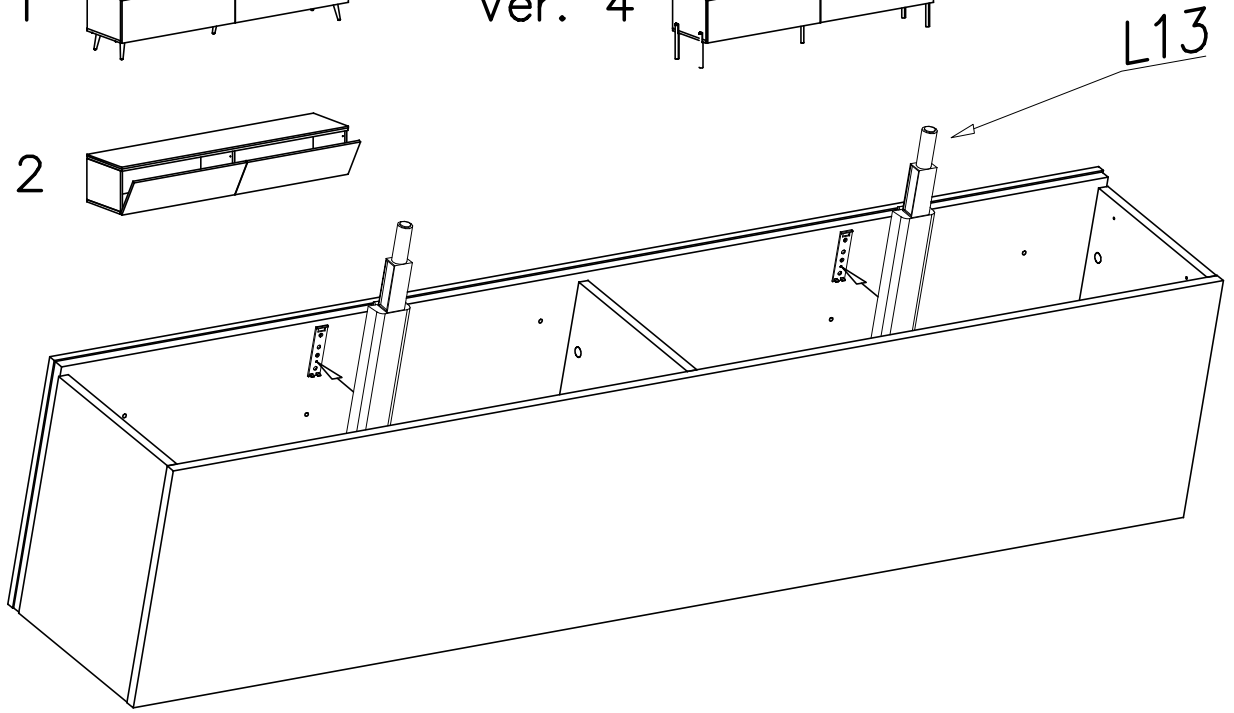
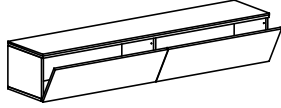
Ver. 1



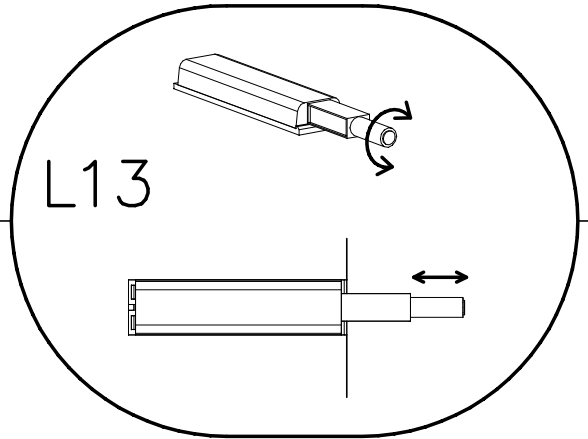
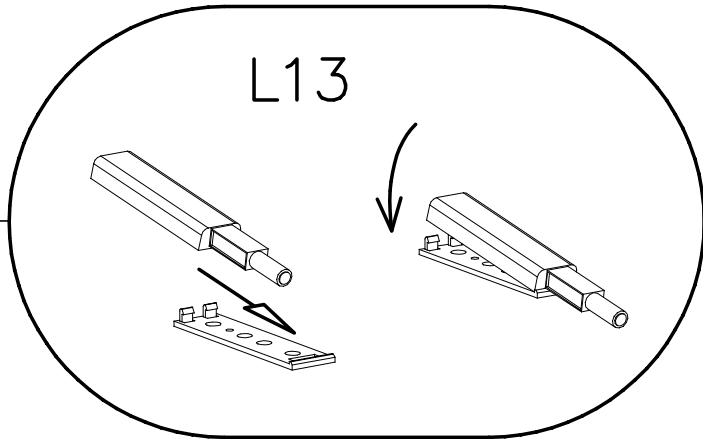
Ver. 4



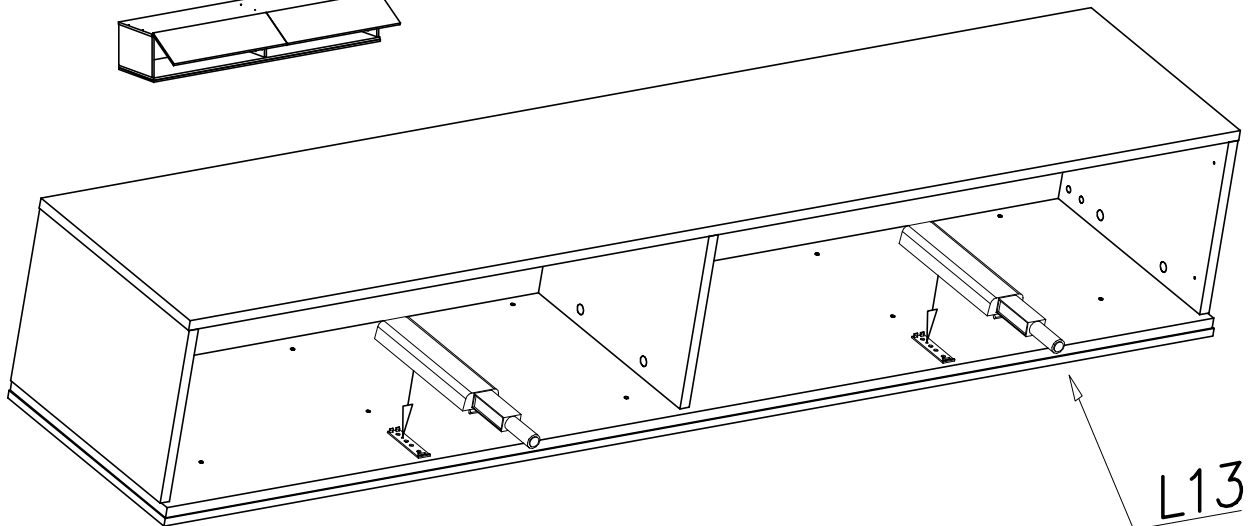
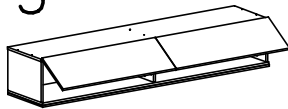
Ver. 2



XII

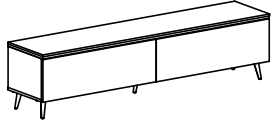


Ver. 3

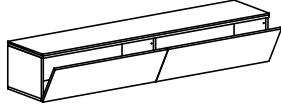


XIII

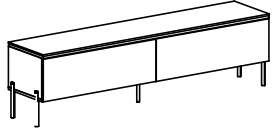
Ver. 1



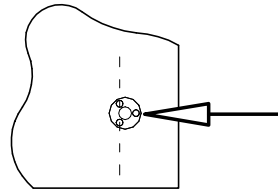
Ver. 2



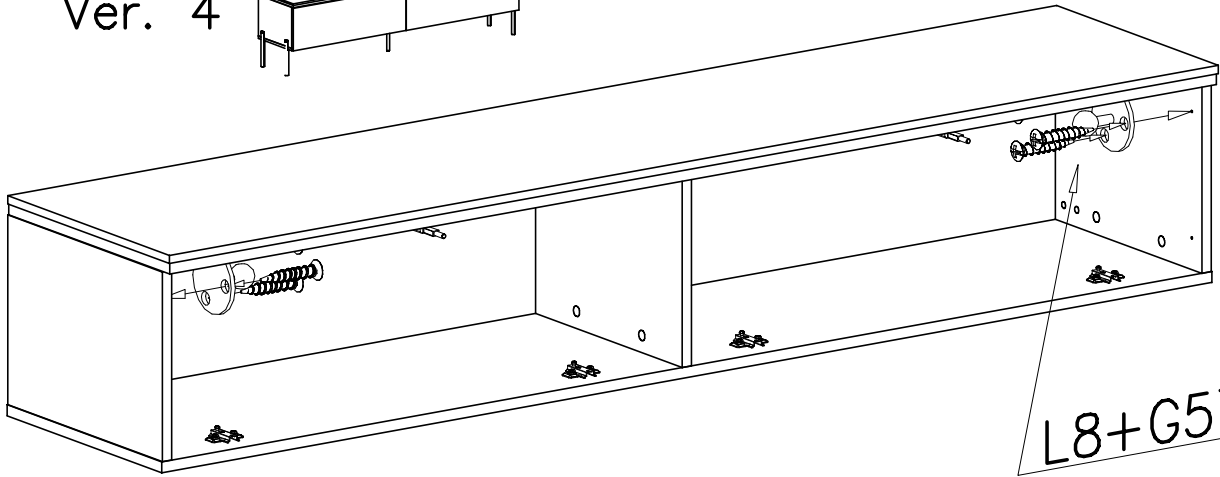
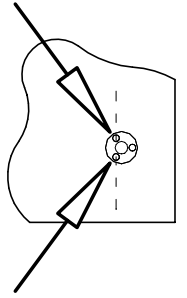
Ver. 4



1.



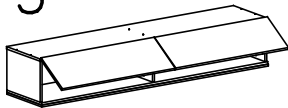
2.



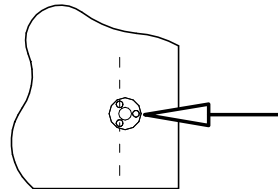
L8+G57

XIV

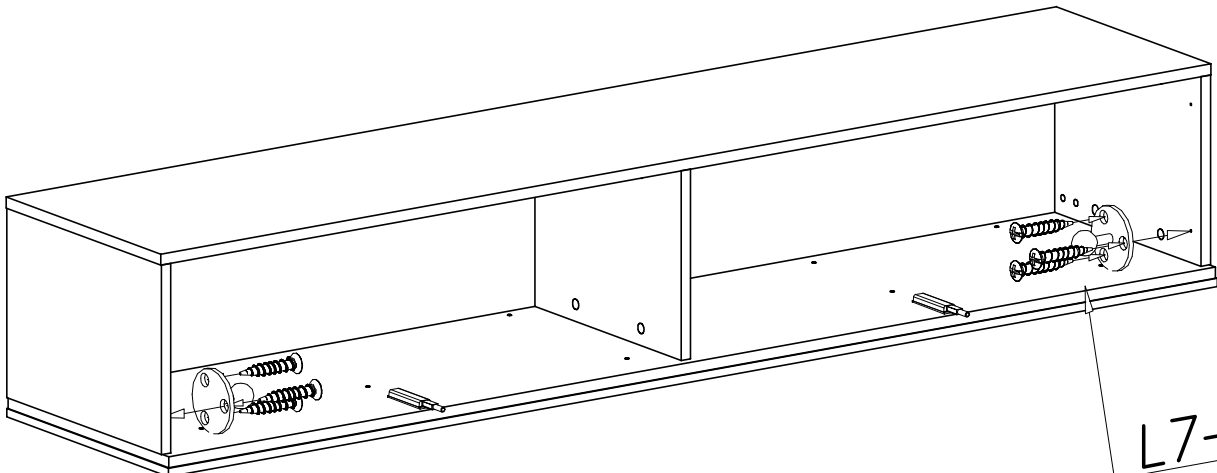
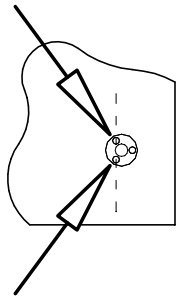
Ver. 3



1.



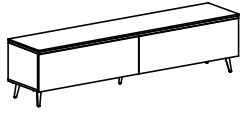
2.



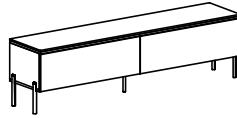
L7+G57

XV

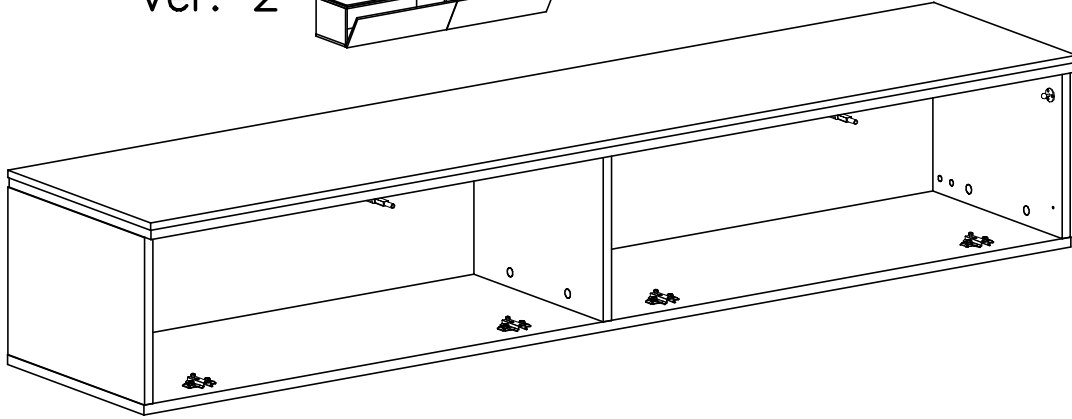
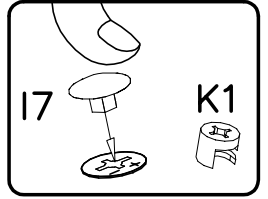
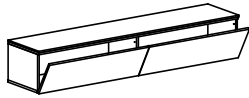
Ver. 1



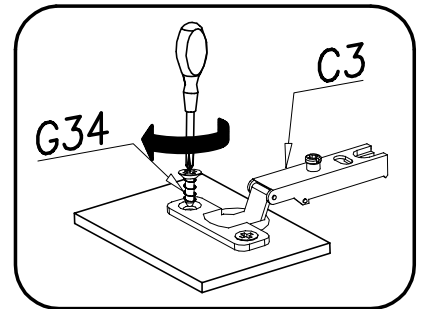
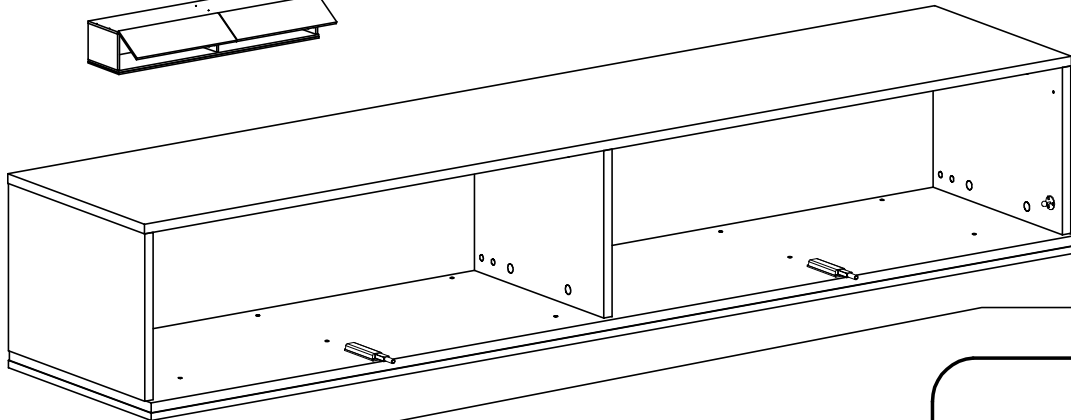
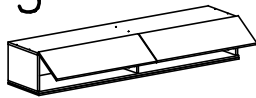
Ver. 4



Ver. 2



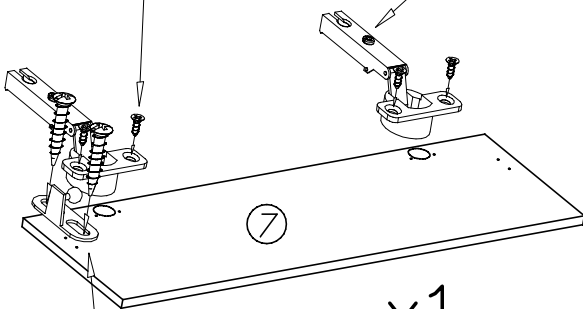
Ver. 3



XVI

G34

C3

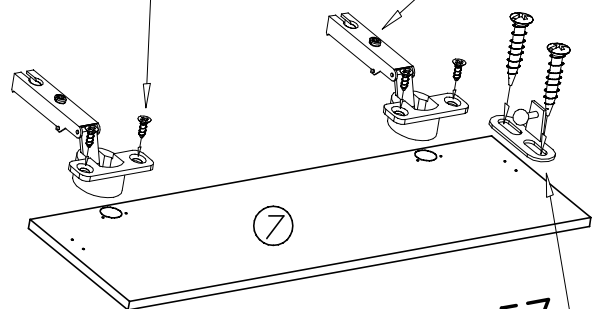


x1

L8+G57

G34

C3

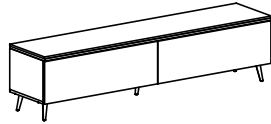


x1

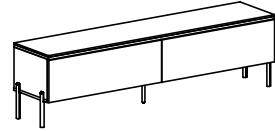
L8+G57

XVII

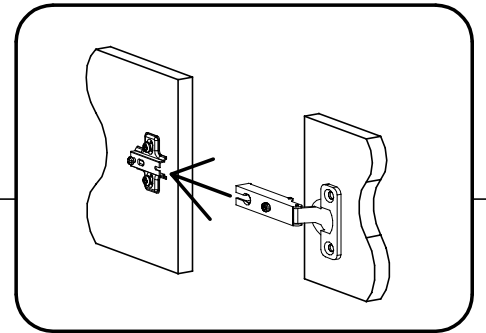
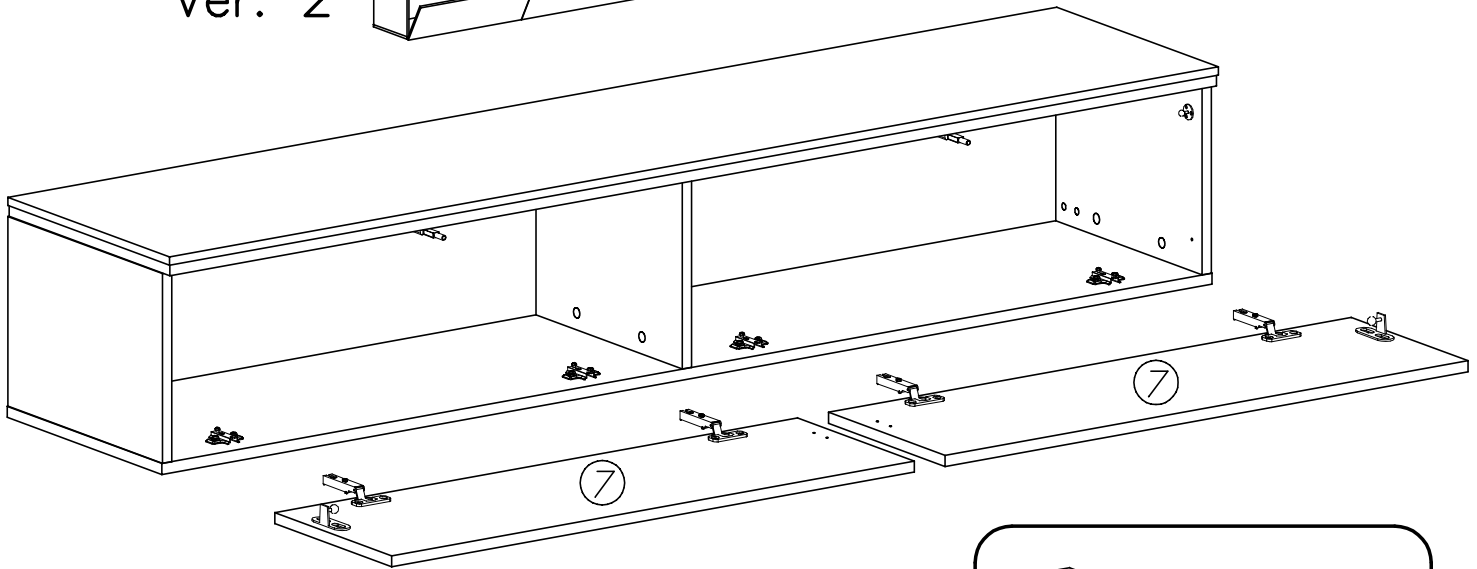
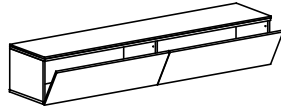
Ver. 1



Ver. 4

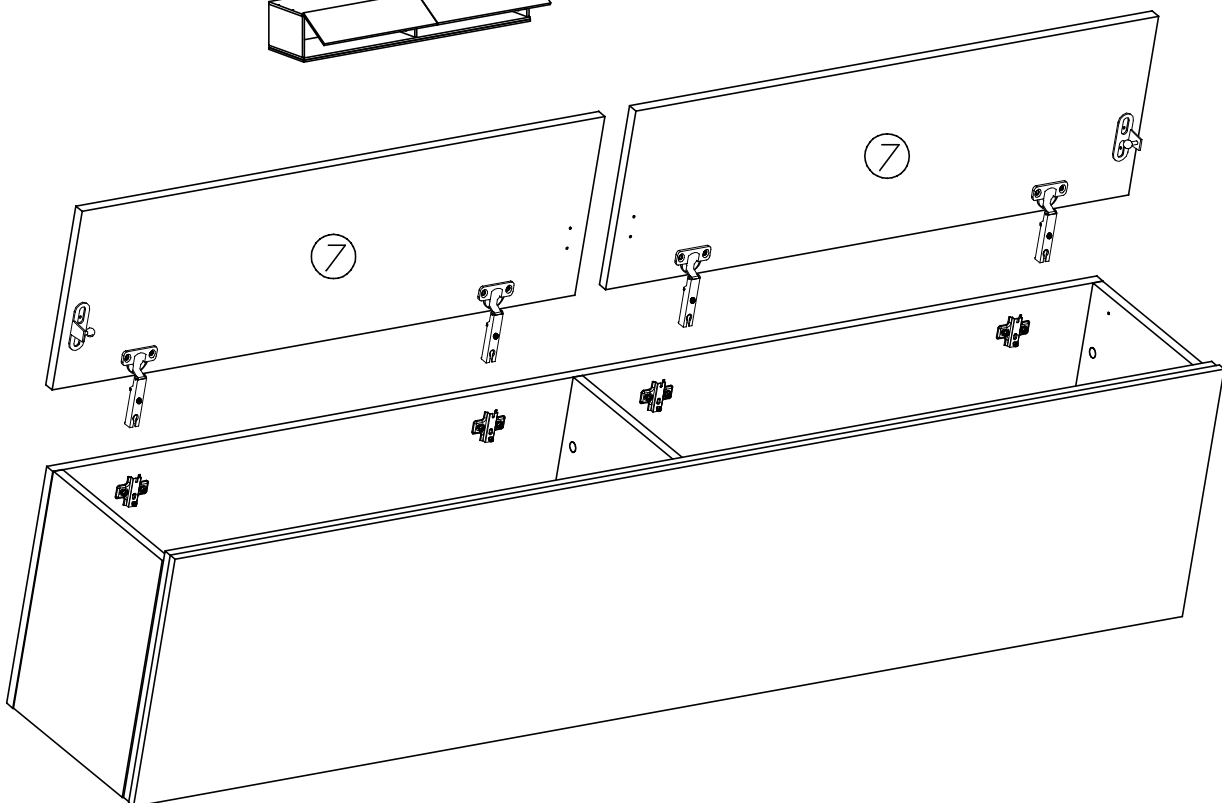
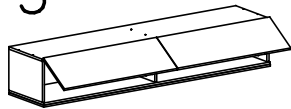


Ver. 2



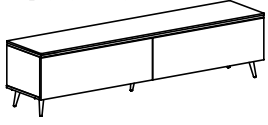
XVIII

Ver. 3

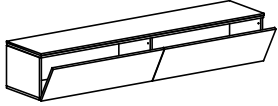


XIX

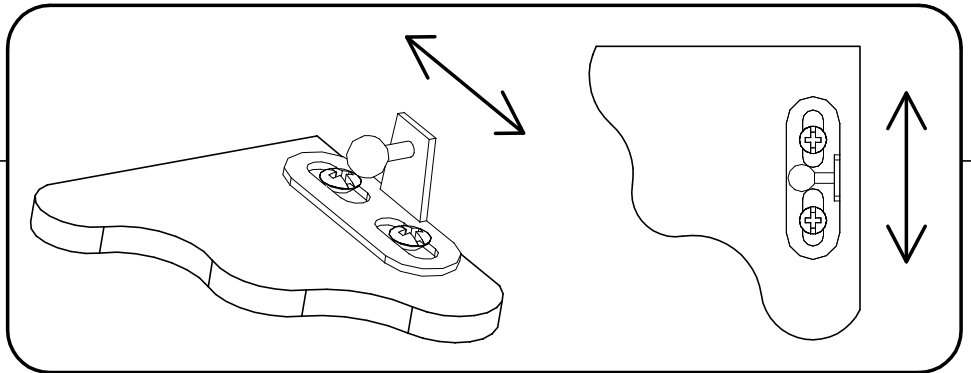
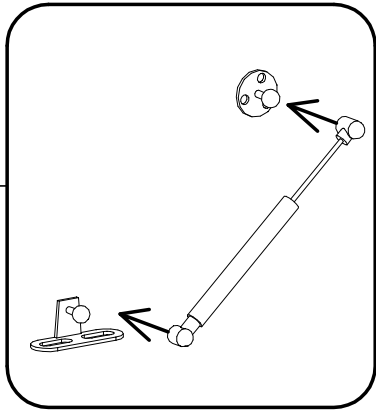
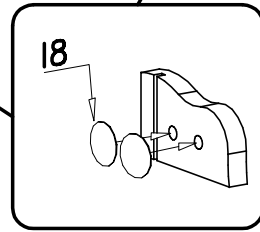
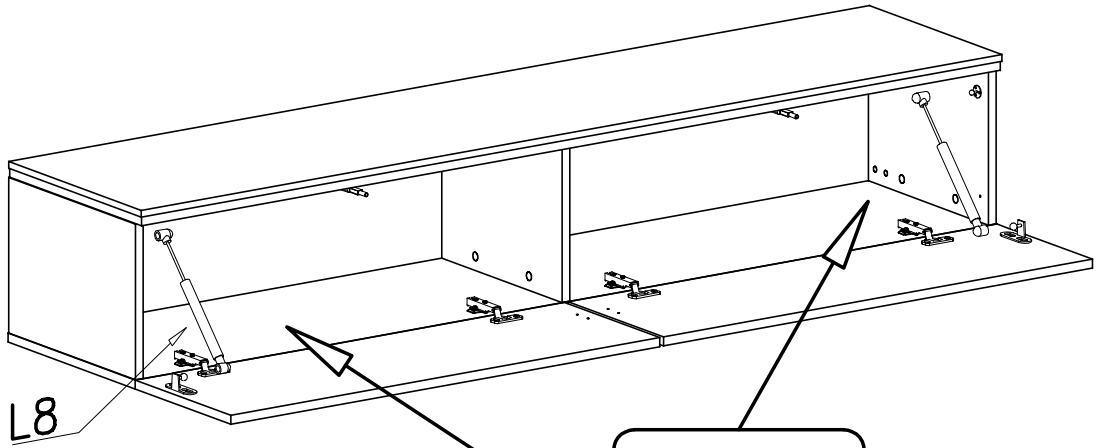
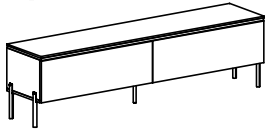
Ver. 1



Ver. 2

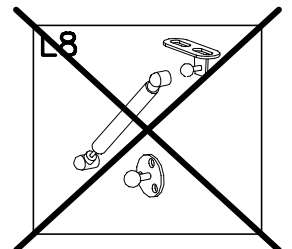
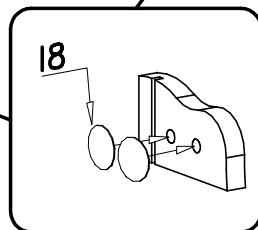
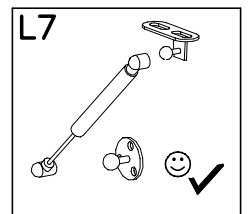
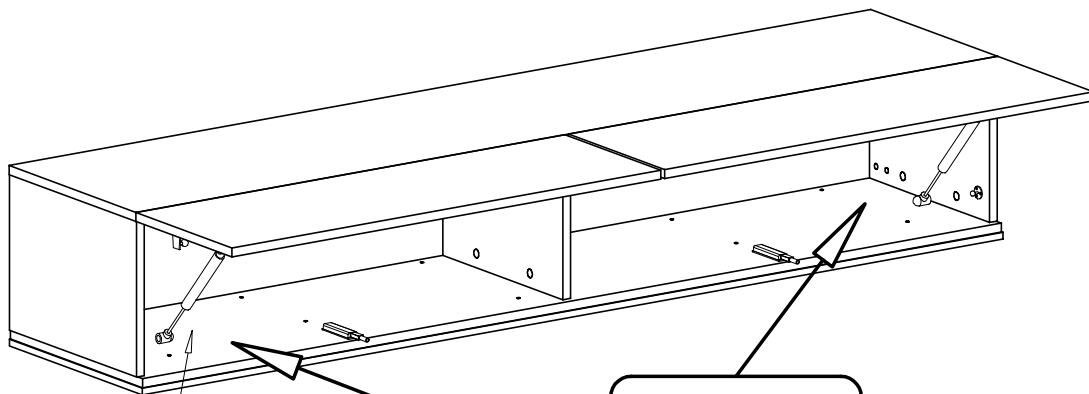
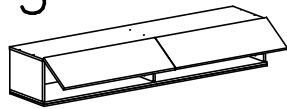


Ver. 4



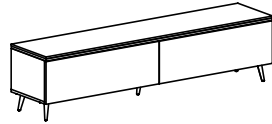
XX

Ver. 3

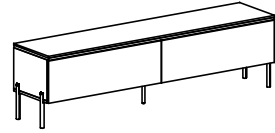


XXI

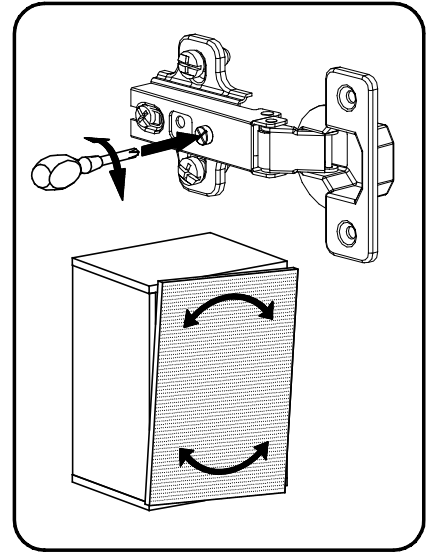
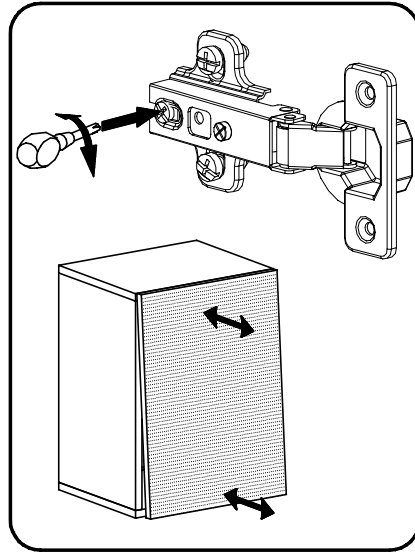
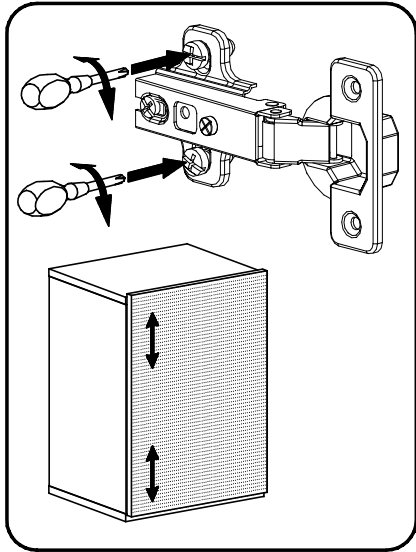
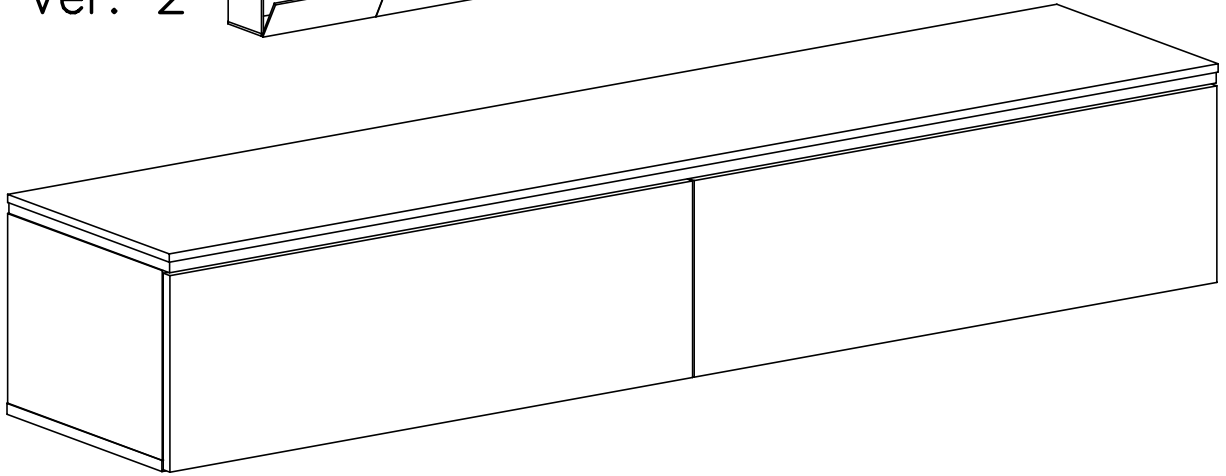
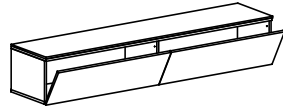
Ver. 1



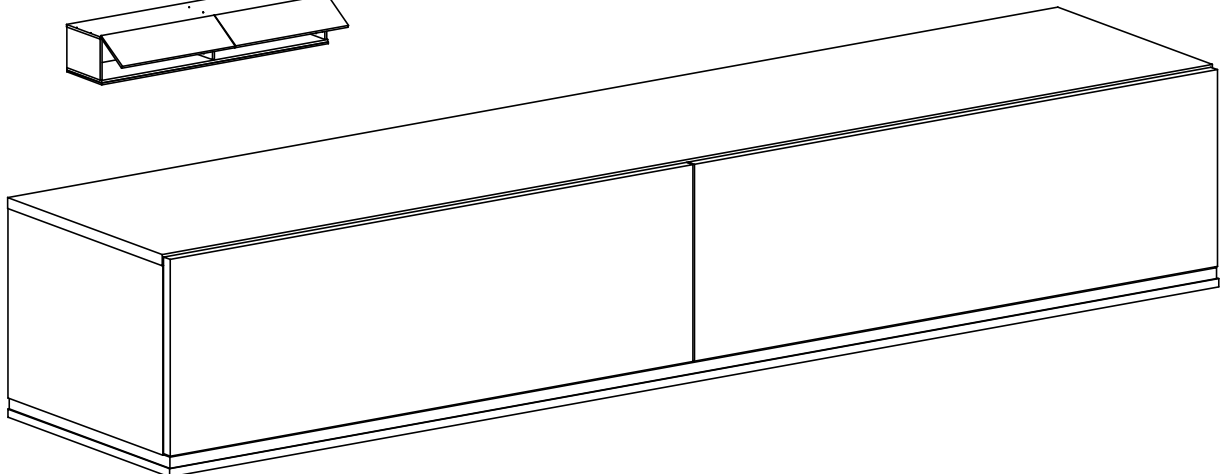
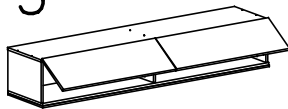
Ver. 4



Ver. 2



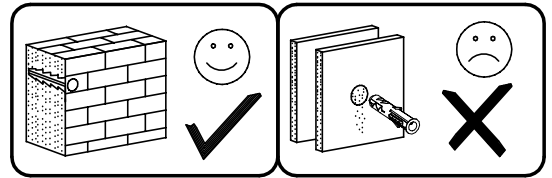
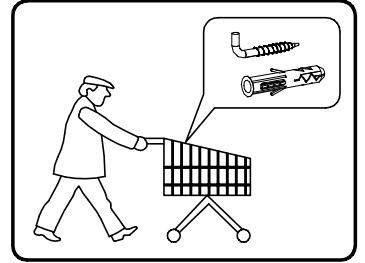
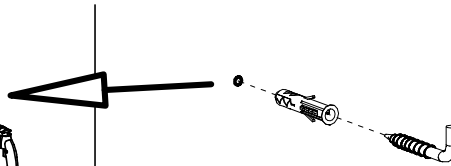
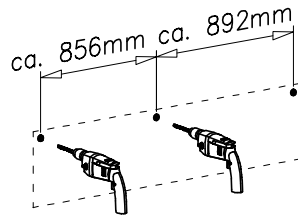
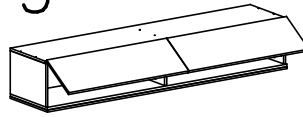
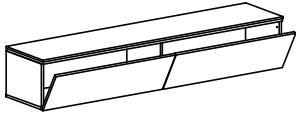
Ver. 3



XXII

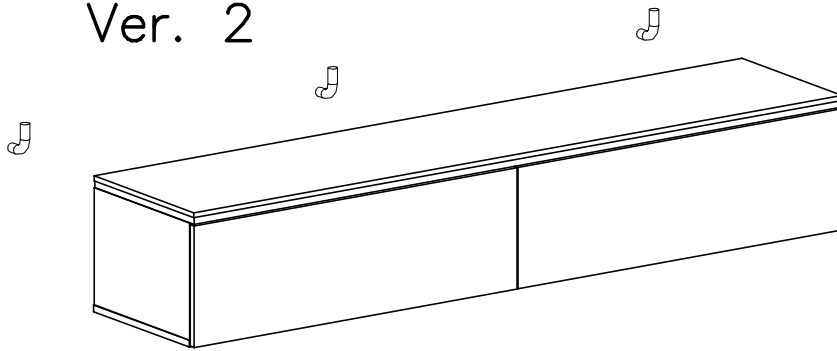
Ver. 2

Ver. 3

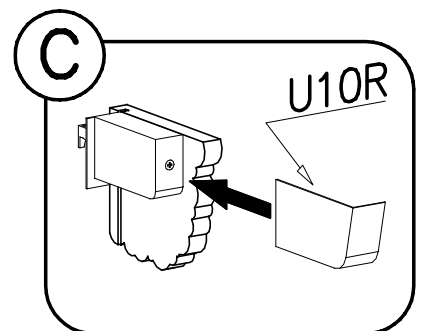
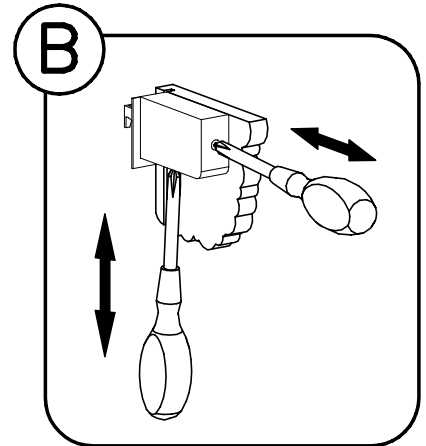
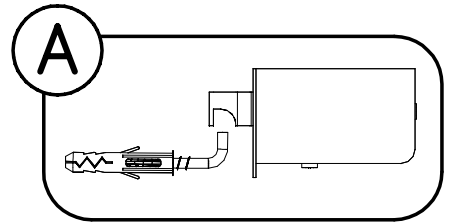
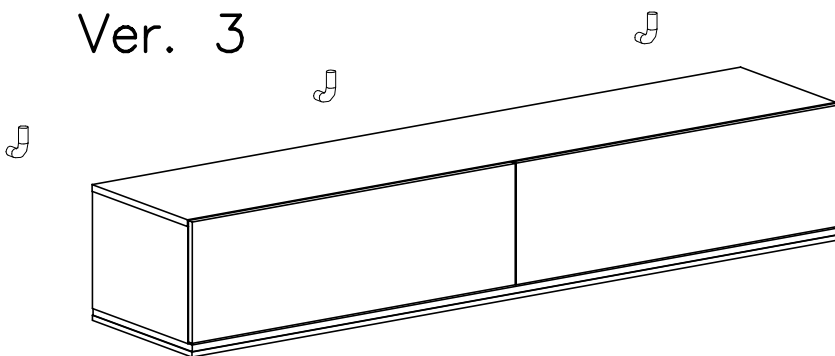


XXIII

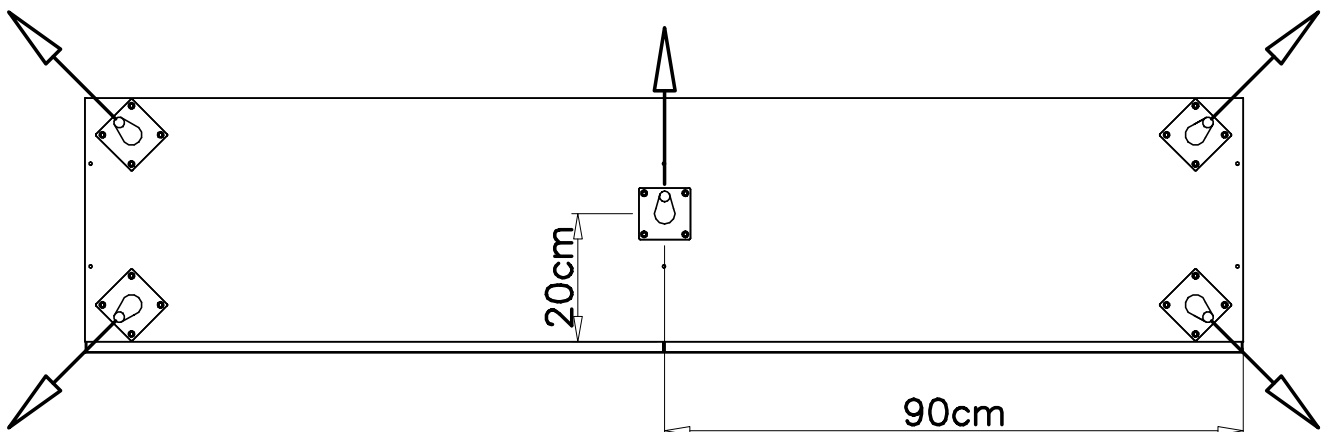
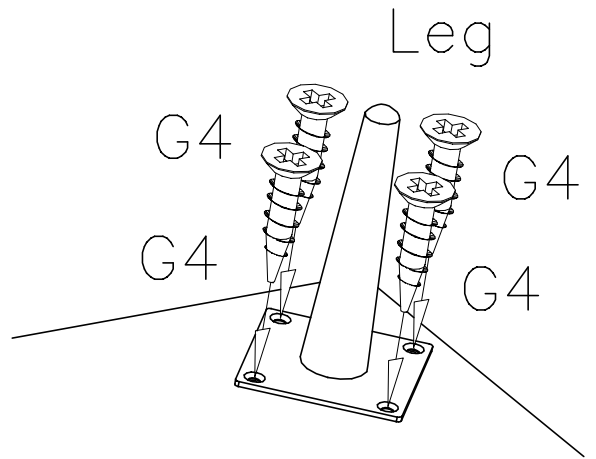
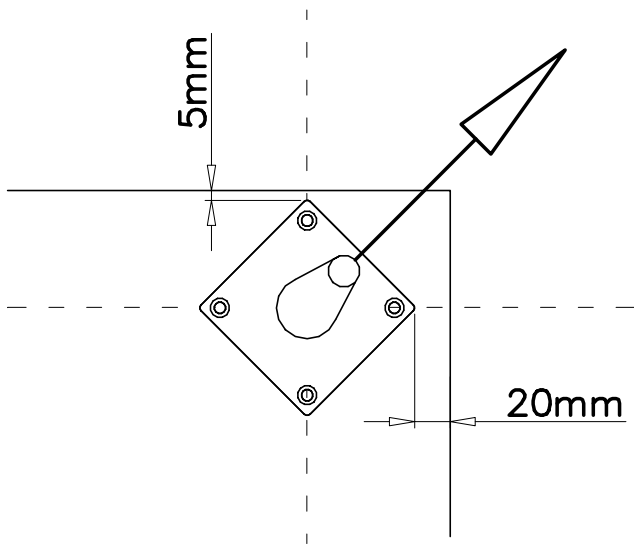
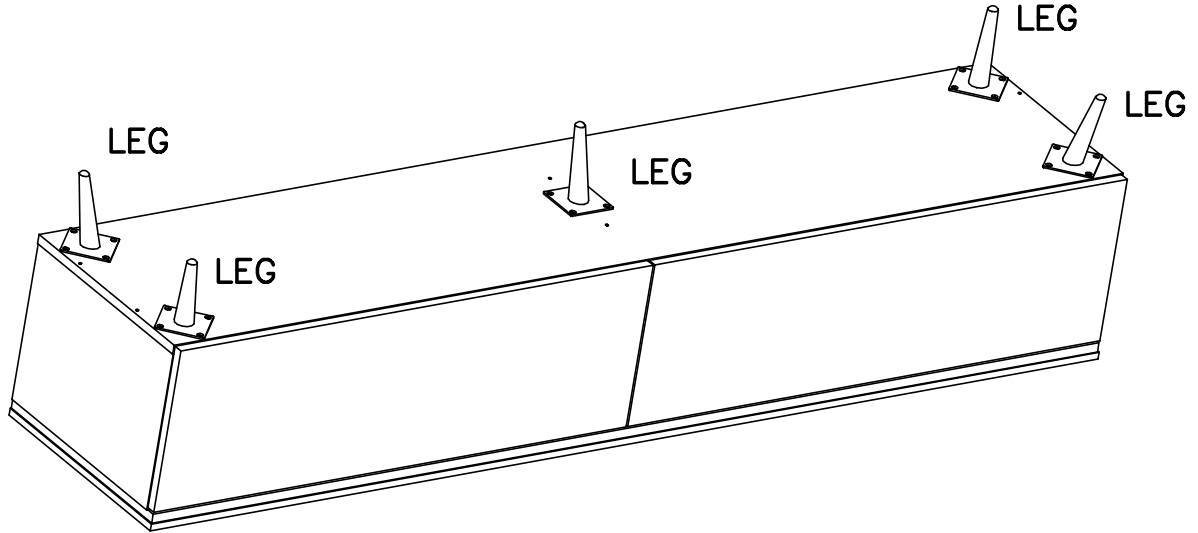
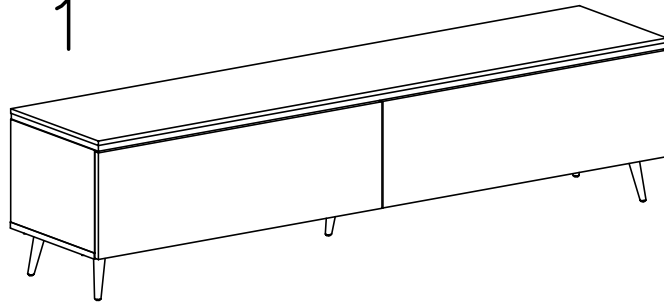
Ver. 2



Ver. 3



XXIV Ver. 1



XXV

Ver. 4

