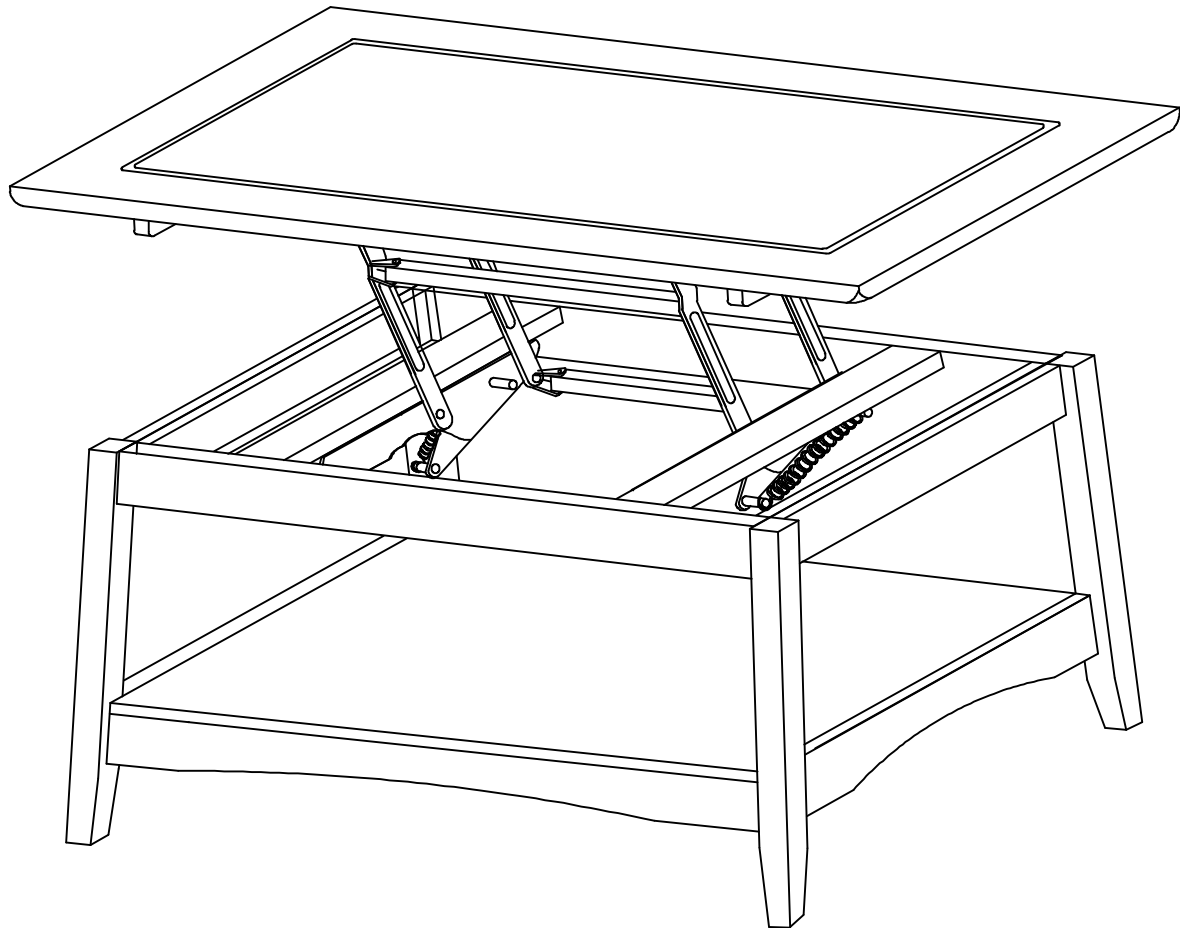


ASSEMBLY INSTRUCTIONS



Description: COFFEE TABLE

BEFORE ASSEMBLY

IMPORTANT NOTE:

- Place all wooden parts on a clean and smooth surface such as a rug or carpet to avoid the parts from being scratched.
- Remove all wrapping material, including staples & packing straps before you start to assemble.
- DO NOT tighten all screws and bolts until completely assembled.
- Keep all hardware parts out of reach of children.

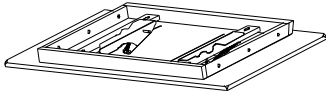
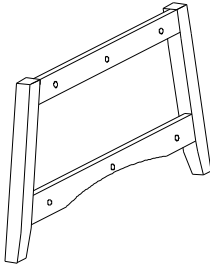
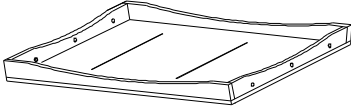
ASSEMBLY TOOLS REQUIRED

NOT INCLUDED



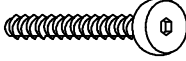



PART LIST

When unpacking, please be careful not to discard any parts with the packaging. Before continuing, please make sure you have the following parts:

NO	Description	Qty	Sketch	NO	Description	Qty	Sketch
A	Top	1		B	Side frame	2	
C	Shelf	1					

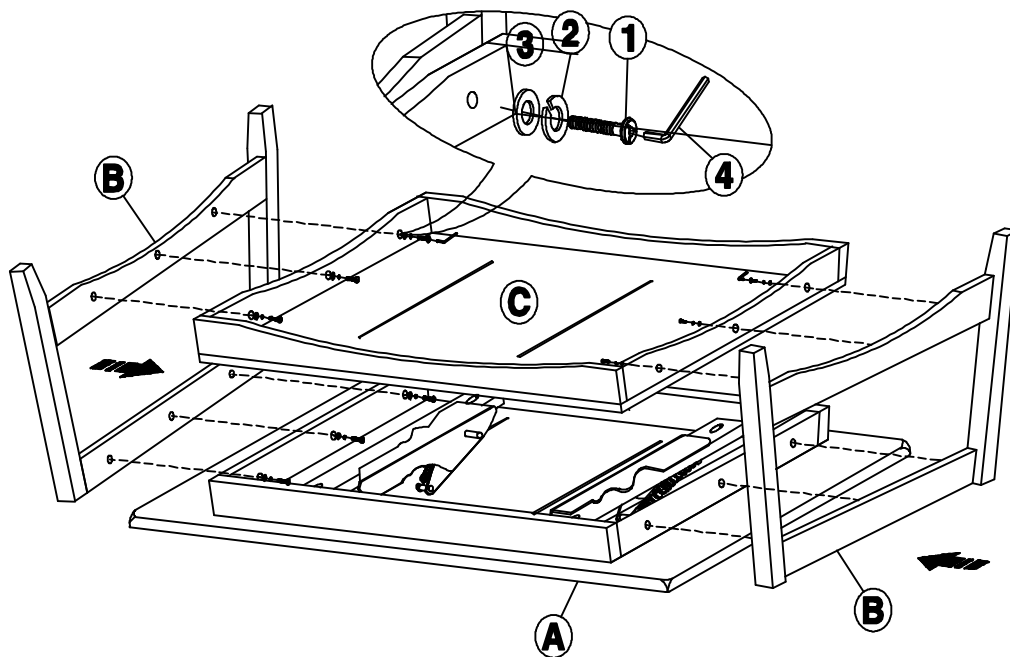
HARDWARE LIST

When unpacking, please be careful not to discard any parts with the packaging. Before continuing, please make sure you have all of the following hardware:

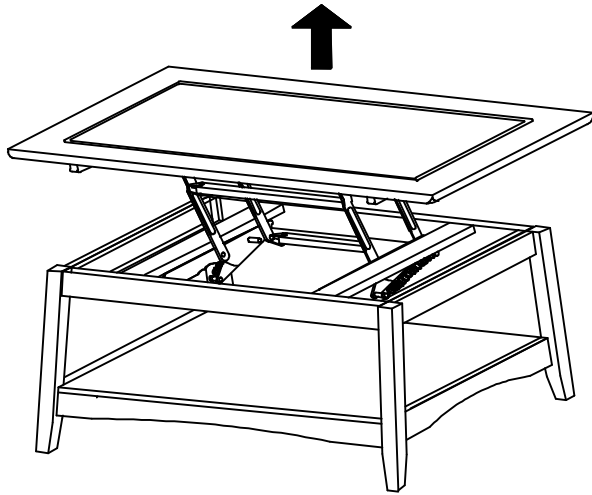
NO	Description	Qty	Sketch	NO	Description	Qty	Sketch
1	Bolt (M6x30mm)	12		3	Flat washer (Φ6.5 x 13mm)	12	
2	Spring washer (Φ6.5 x 11mm)	12		4	Allen Key (4 x 80mm)	1	

STEP 1

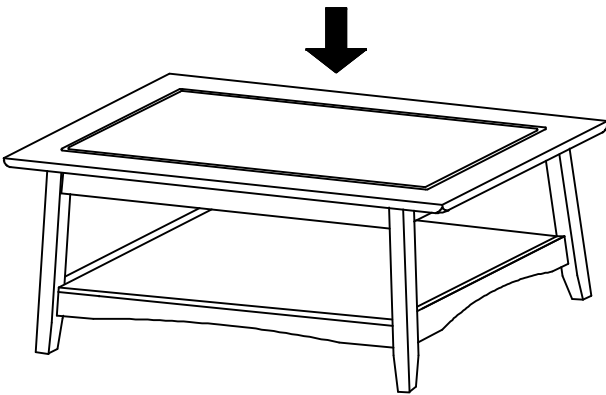
Attach side frame (B) to top (A) and shelf (C) with bolts (1), washers (2) and (3). Tighten with allen key (4).



STEP 2



Up



Down