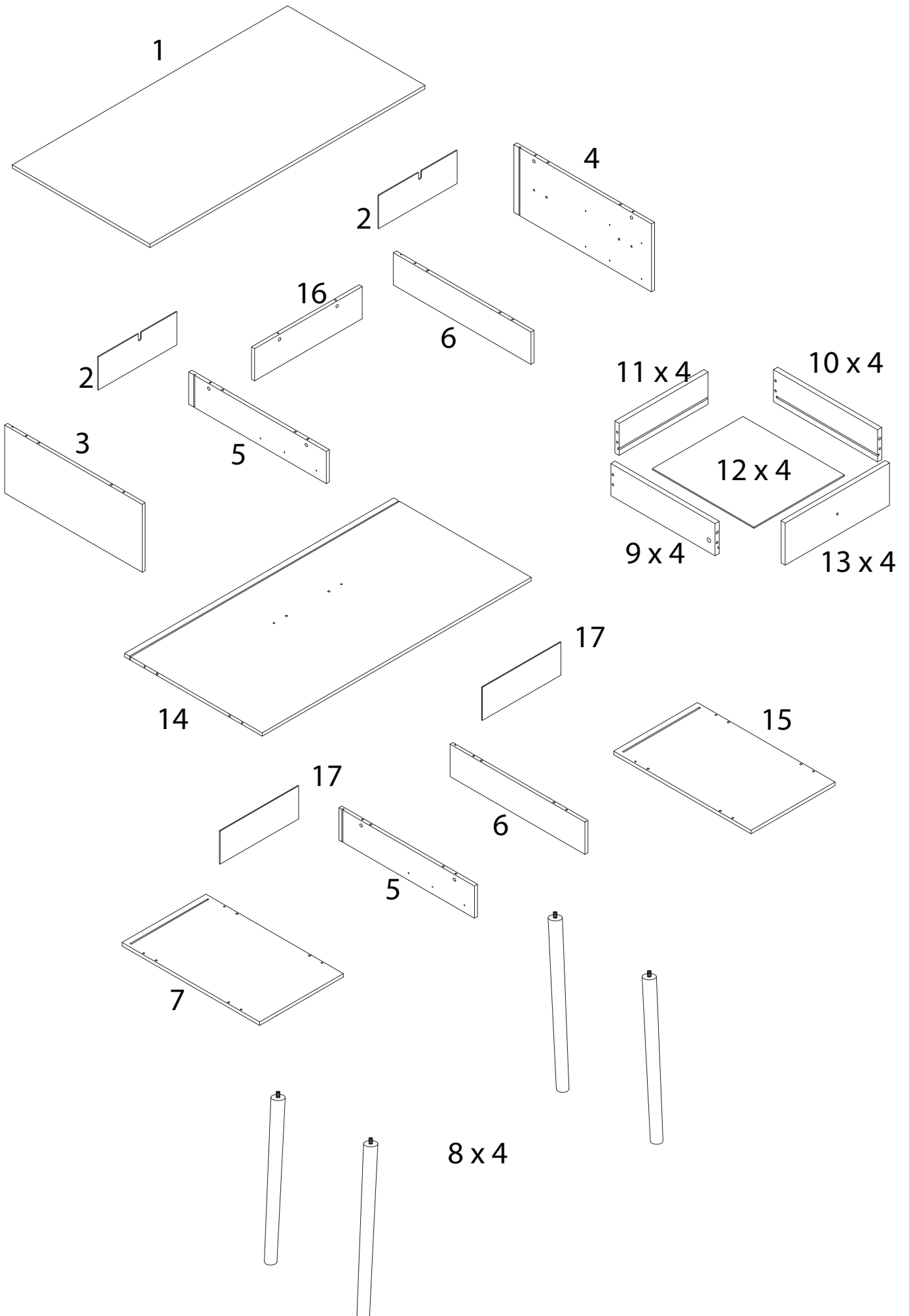
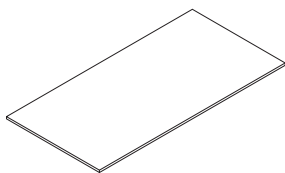


Diagram illustrating assembly instructions and safety warnings:

- Top Warning:** A warning triangle with an exclamation mark is connected by a vertical line to a box containing a screwdriver icon and a crossed-out power drill icon.
- Bottom Warning:** A warning triangle with an exclamation mark is connected by a vertical line to a box containing an icon of a block being placed on a mat and a crossed-out icon of a block being placed on a surface.
- Time:** A clock icon is positioned to the right of the top warning, with the text "90'" below it.
- Personnel:** An icon of a person is positioned to the right of the bottom warning, with the number "2" below it.

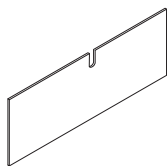


1



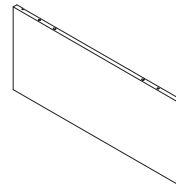
x 1

2



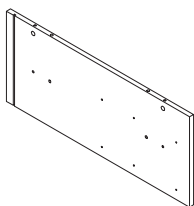
x 2

3



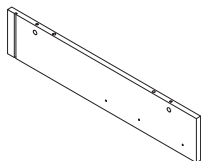
x 1

4



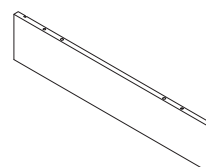
x 1

5



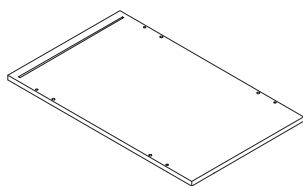
x 2

6



x 2

7



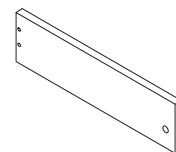
x 1

8



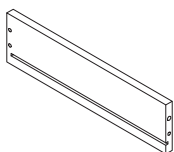
x 4

9



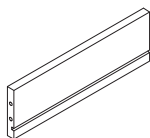
x 4

10



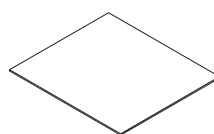
x 4

11



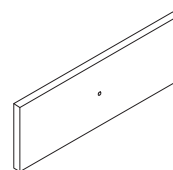
x 4

12



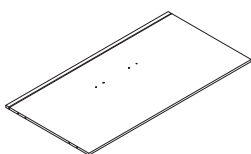
x 4

13



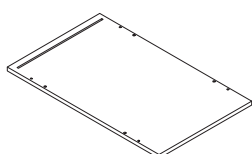
x 4

14



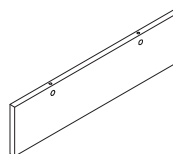
x 1

15



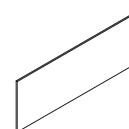
x 1

16



x 1

17



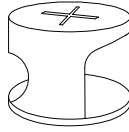
x 2

A



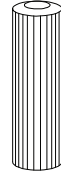
x 26

B



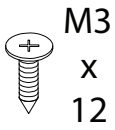
x 26

C



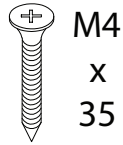
x 40

D



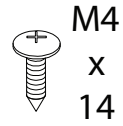
x 48

E



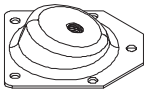
x 32

F



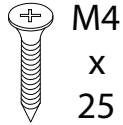
x 20

G



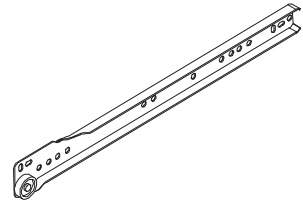
x 4

H



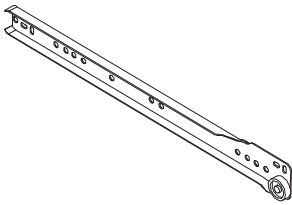
x 4

I



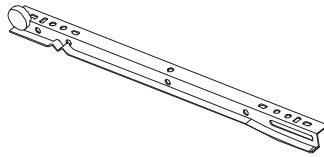
x 4

J



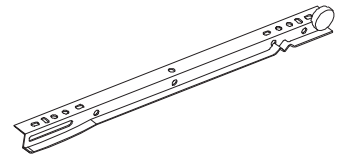
x 4

K



x 4

L



x 4

M



x 4

N



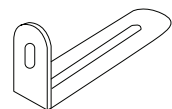
x 2

O



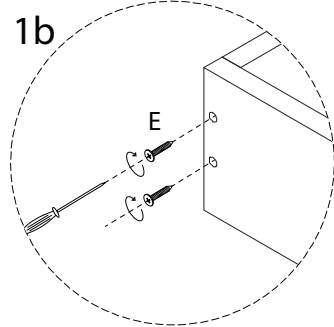
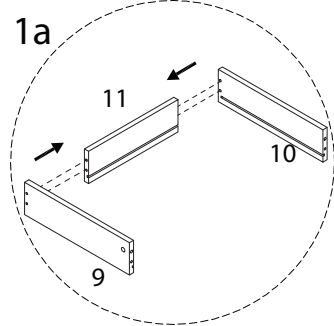
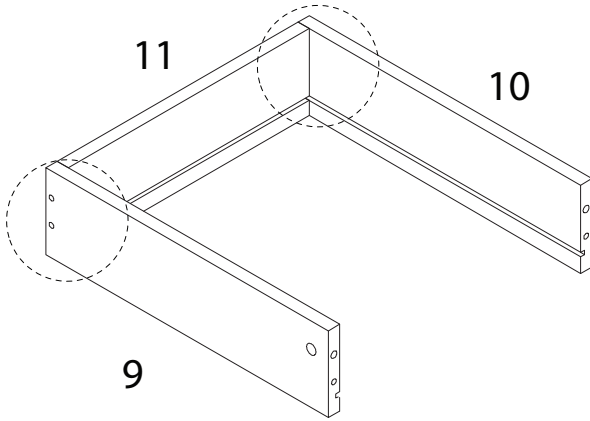
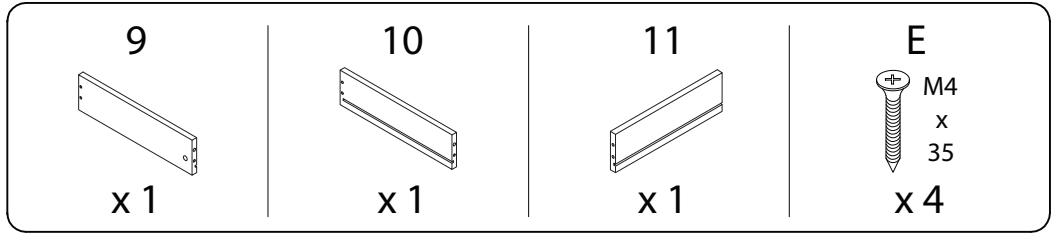
x 2

P

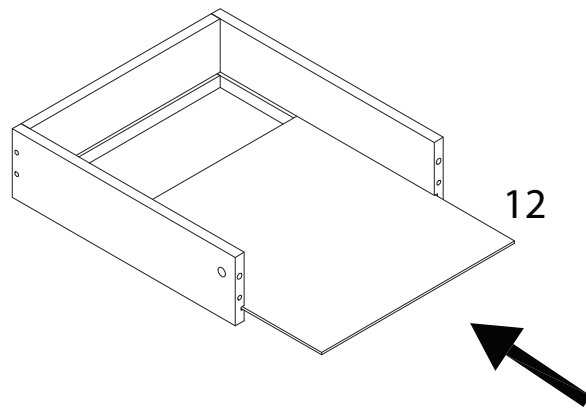
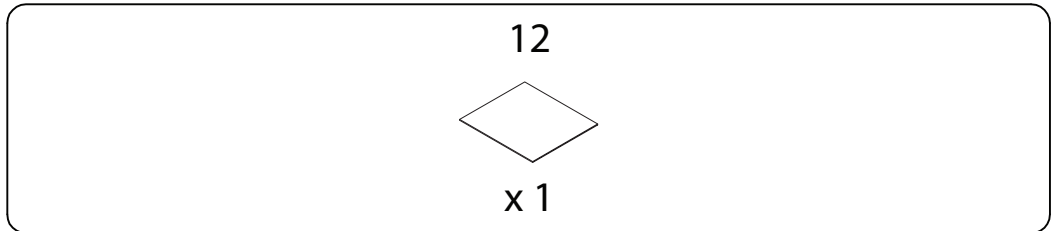


x 2

1 x 4

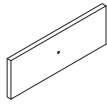


2 x 4



3 x 4

13



x1

A

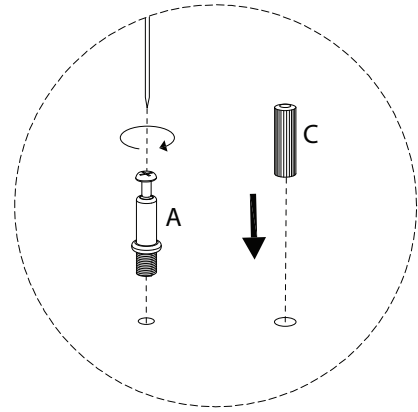
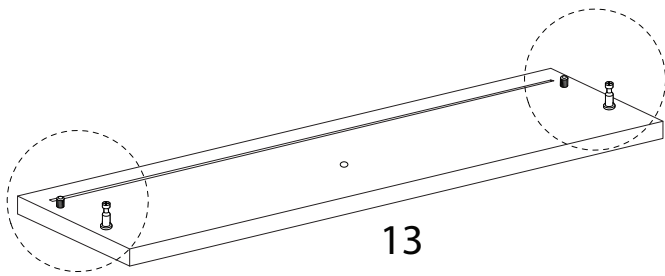


x2

C



x2

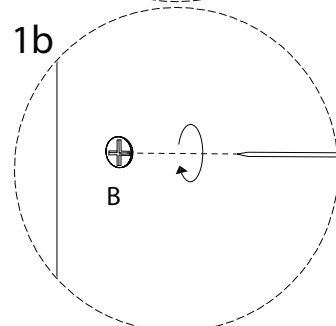
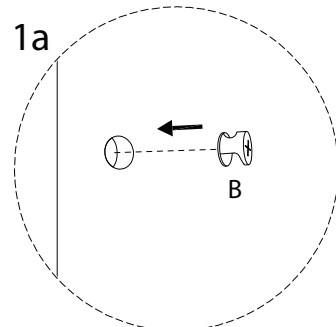
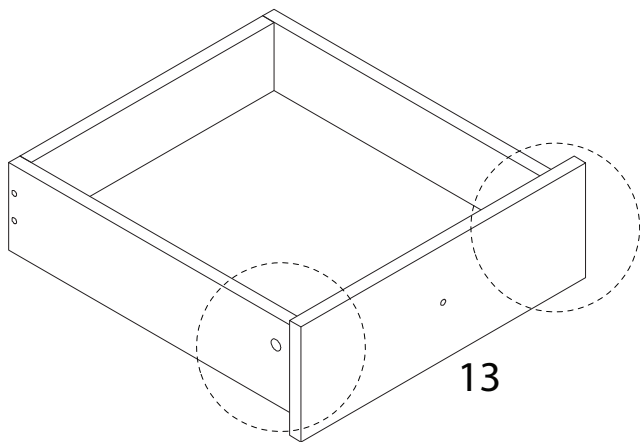


4 x 4

B

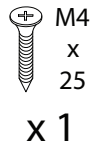


x2



5 x 4

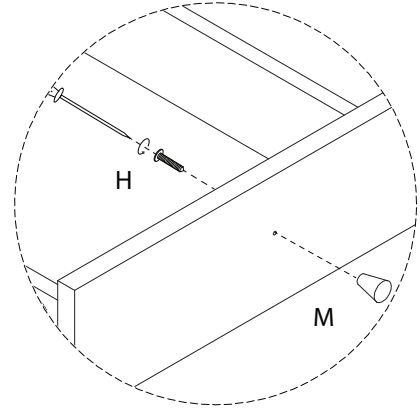
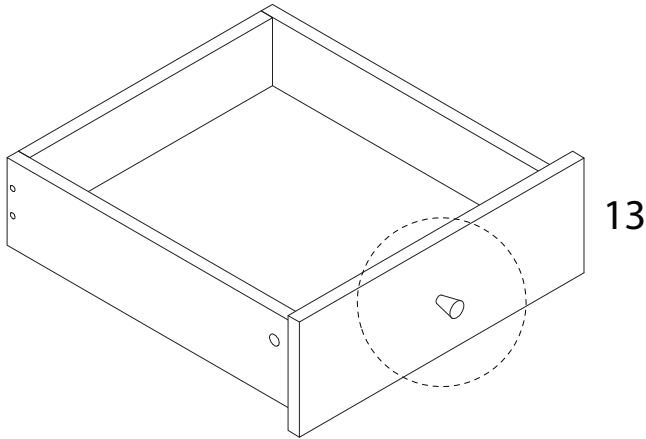
H



M

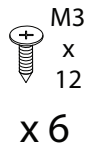


x 1

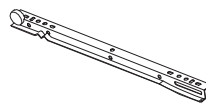


6 x 4

D

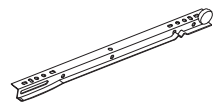


K

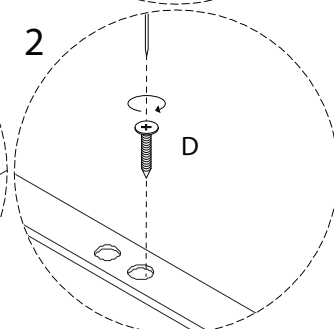
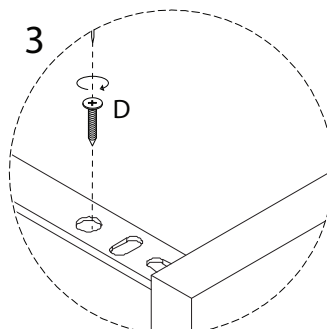
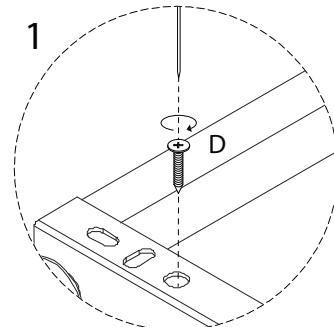
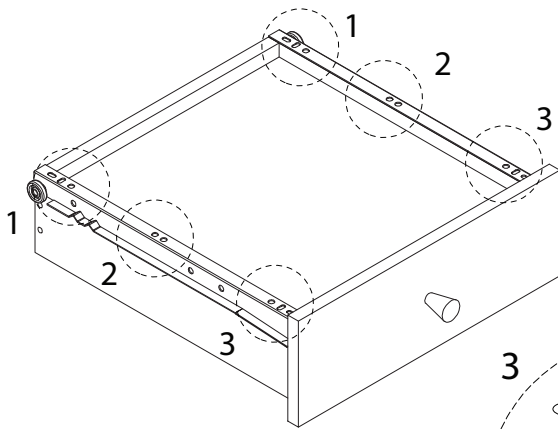


x 1

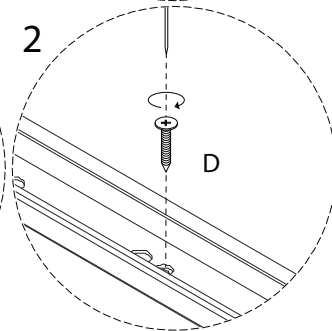
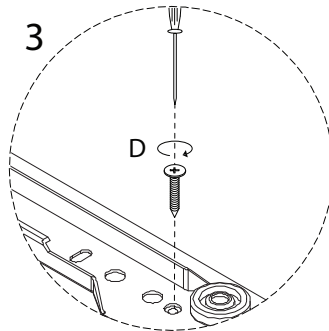
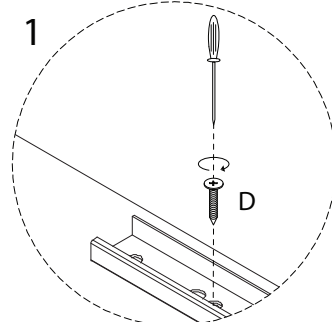
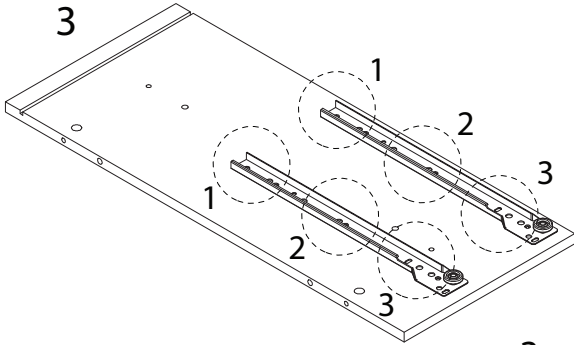
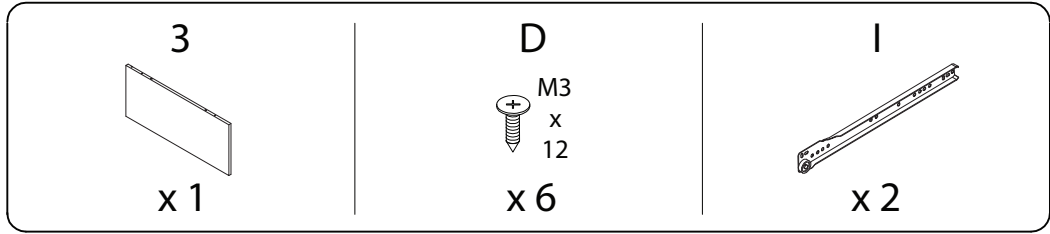
L



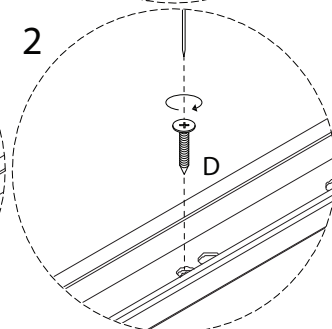
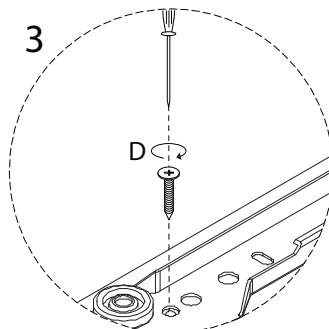
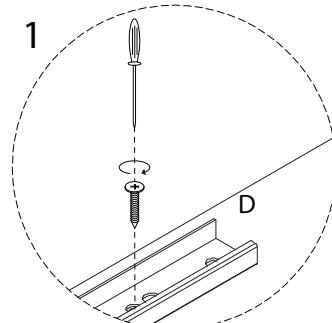
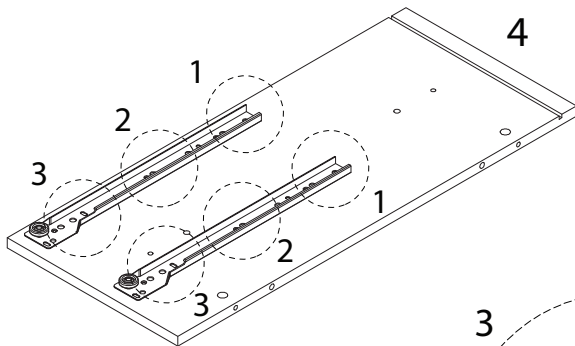
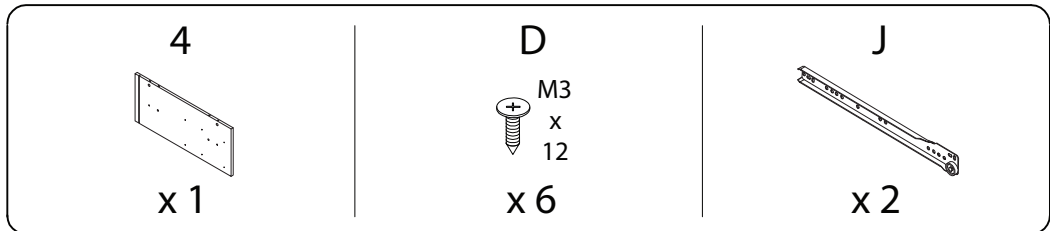
x 1



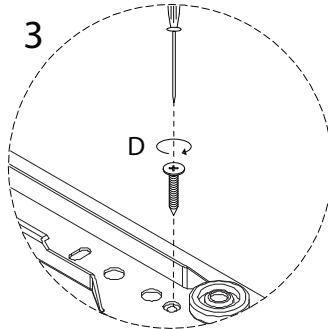
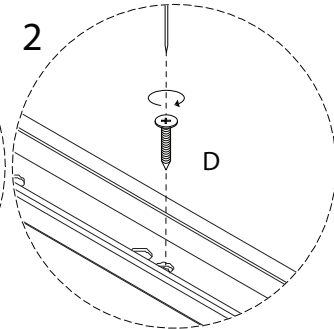
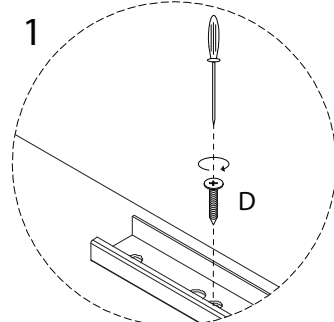
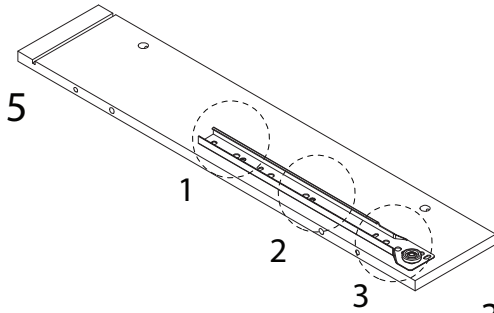
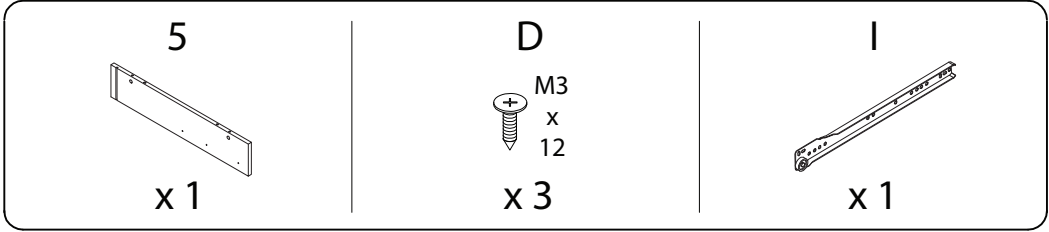
7



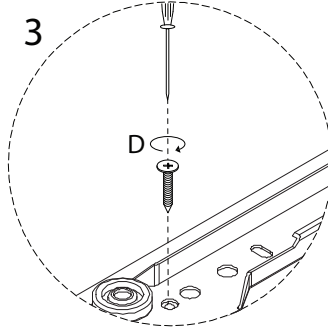
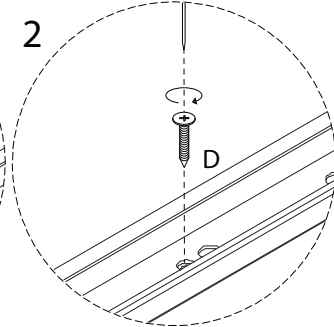
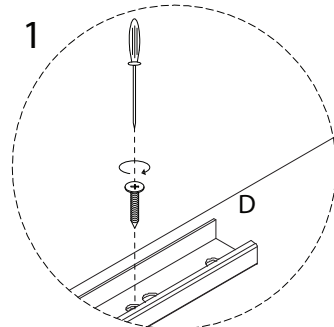
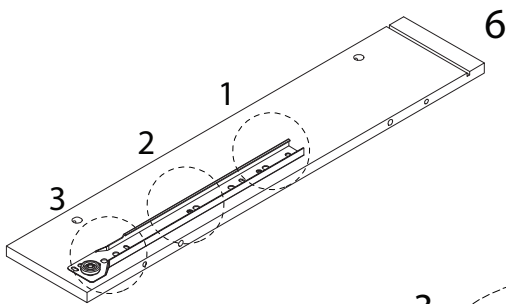
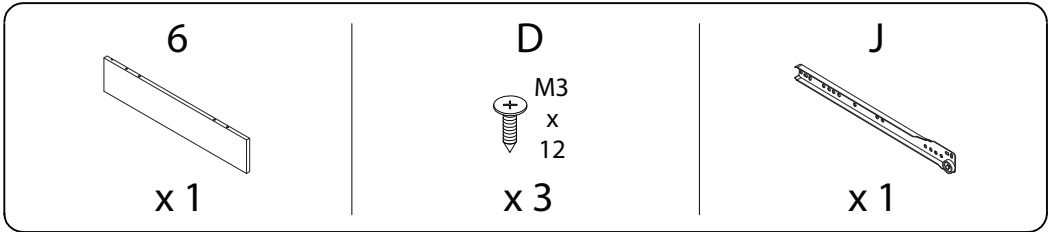
8



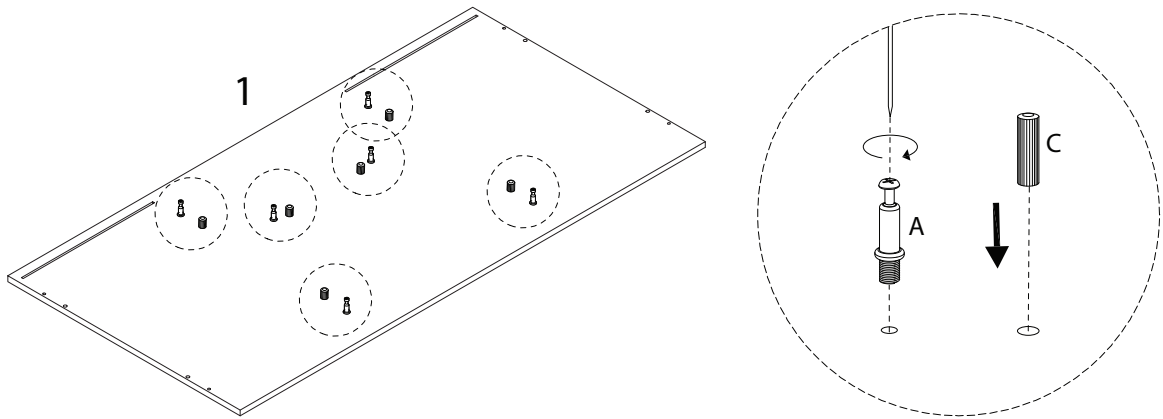
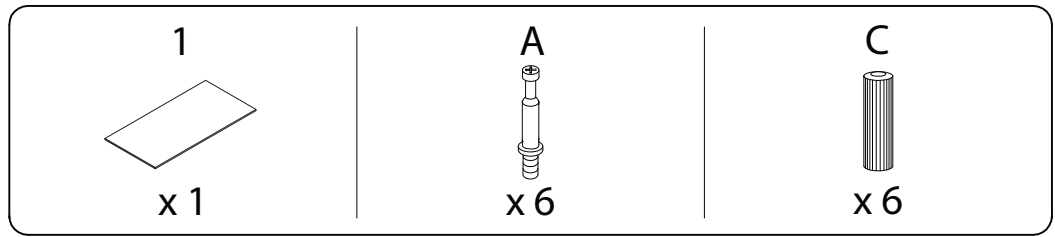
9 x 2



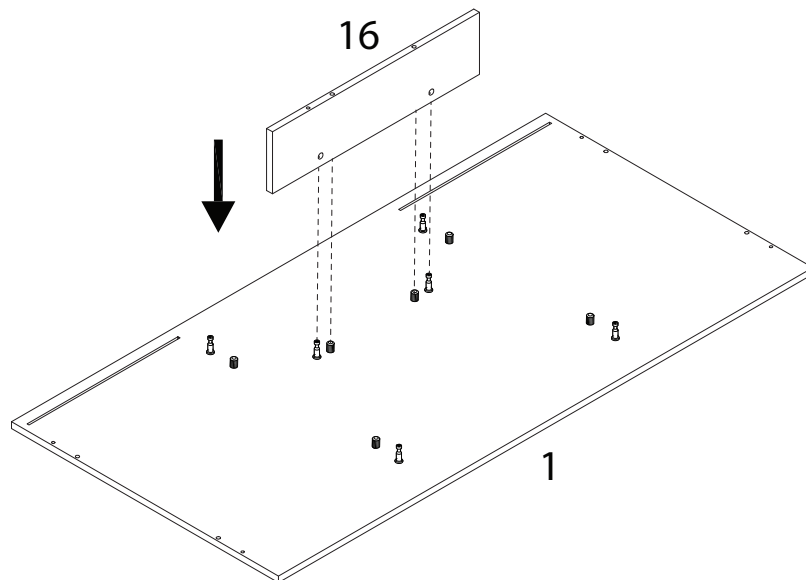
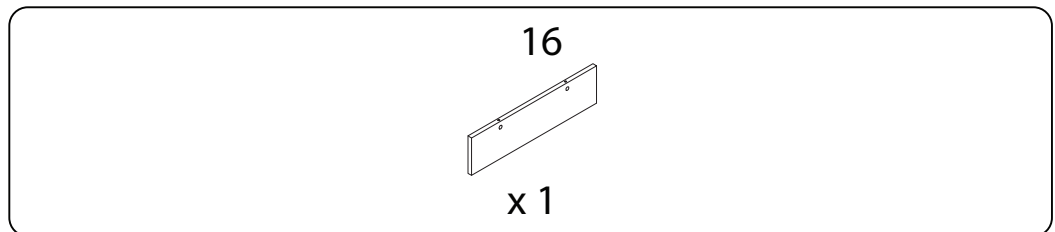
10 x 2



11



12

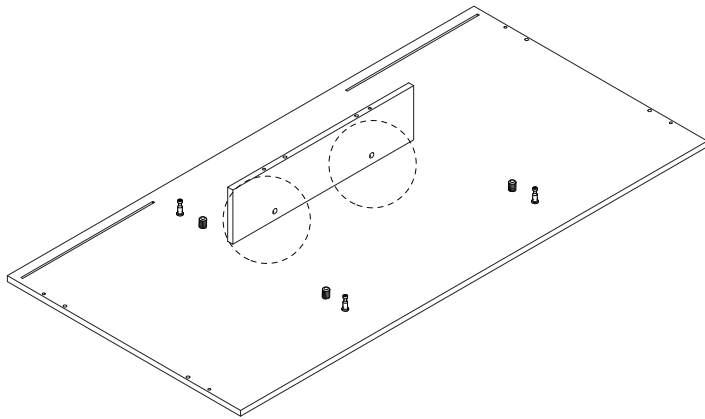


13

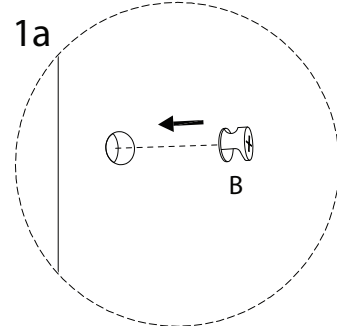
B



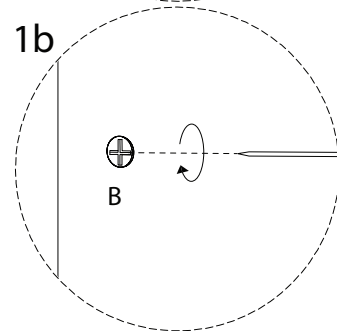
x 2



1a



1b



14

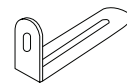
N



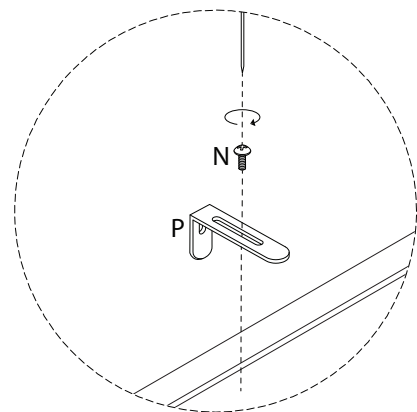
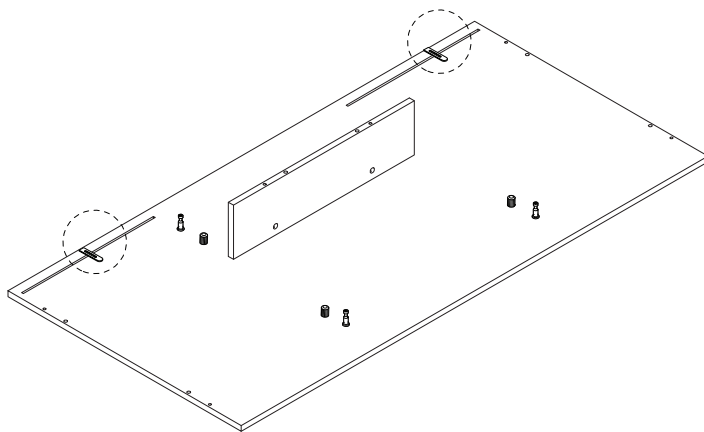
x 12

x 2

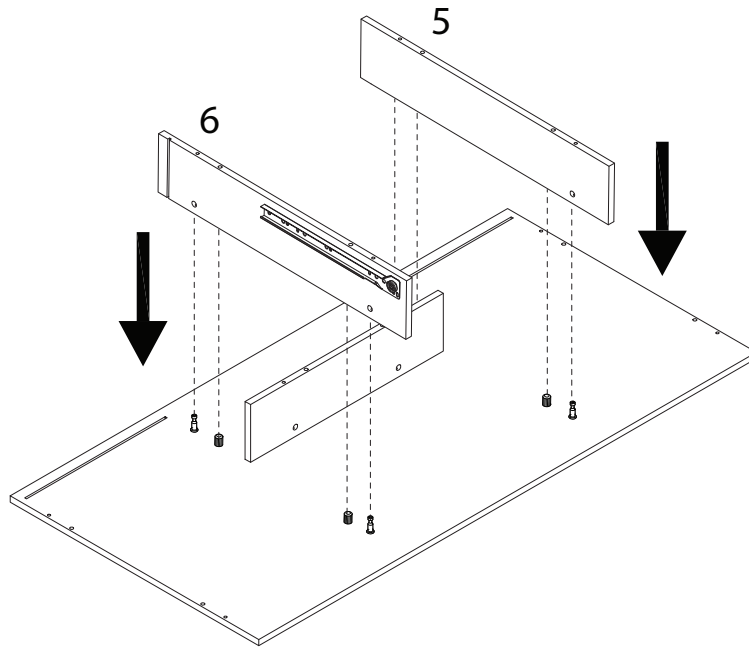
P



x 2



15

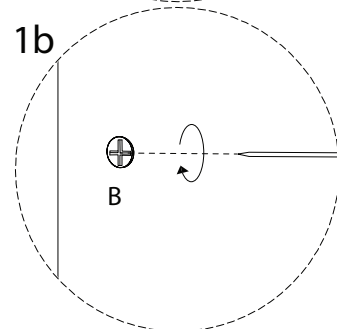
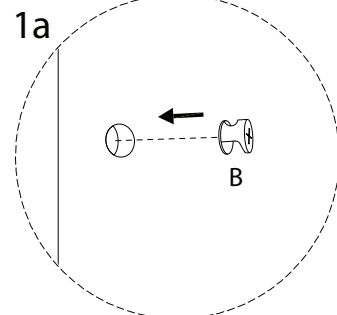
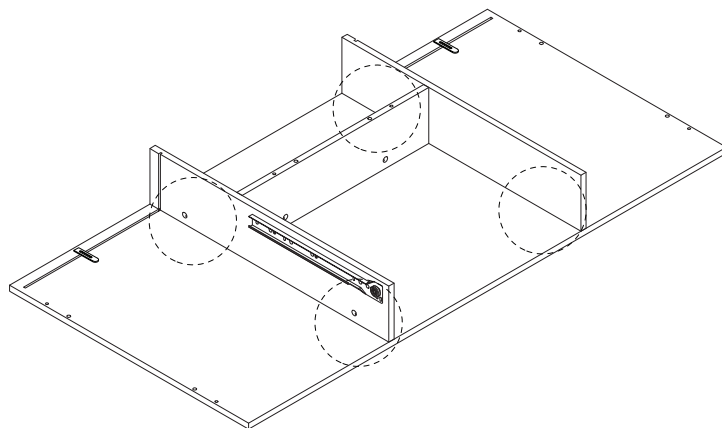


16

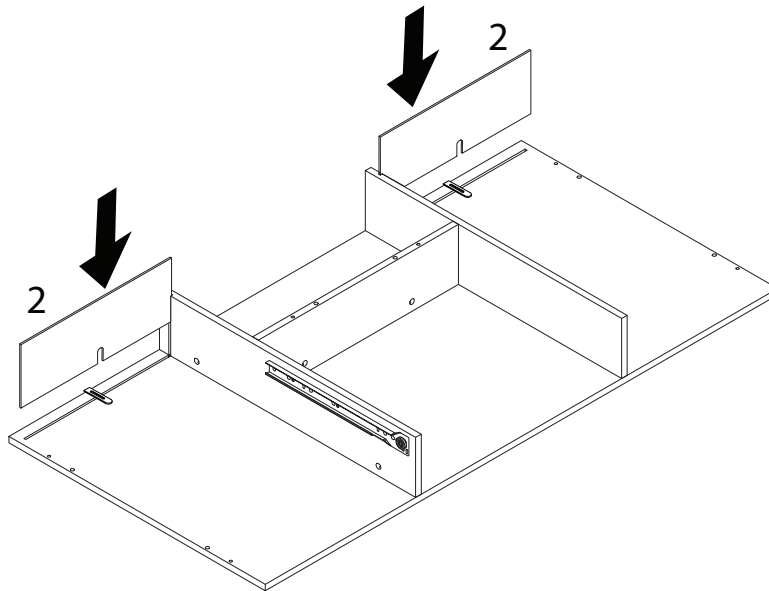
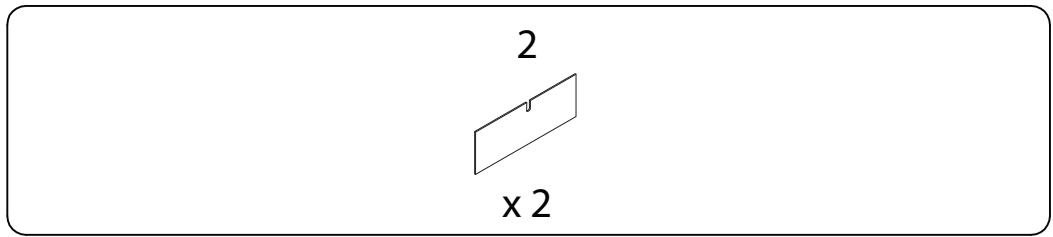
B



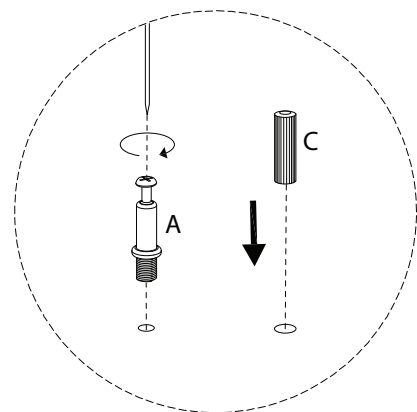
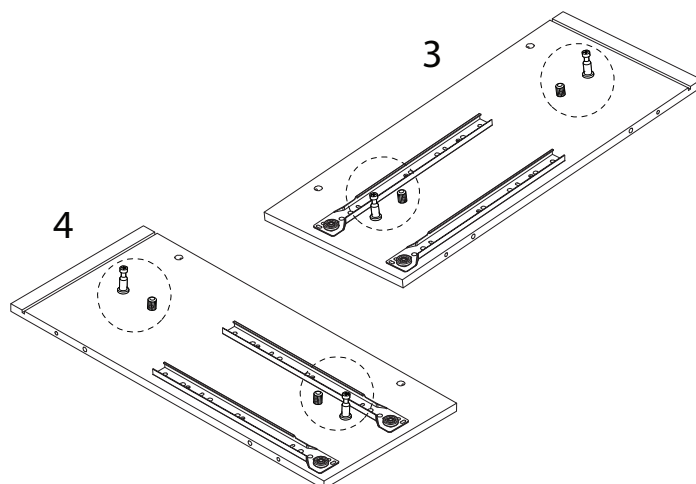
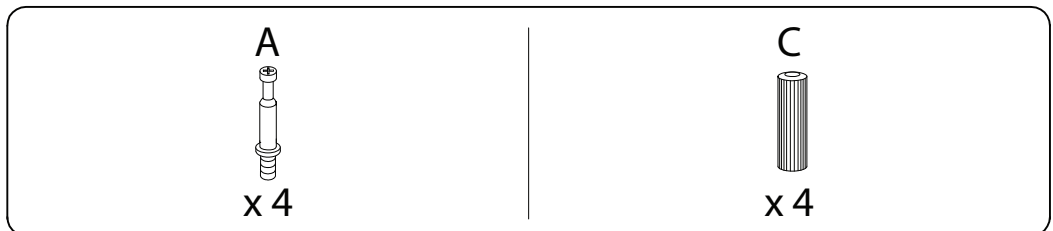
x 4



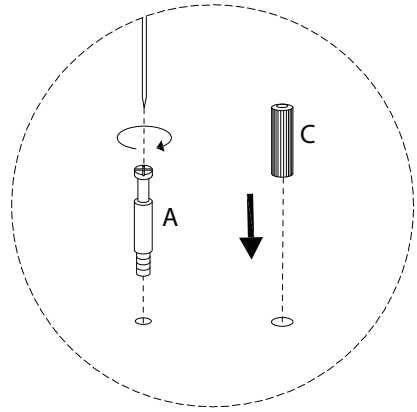
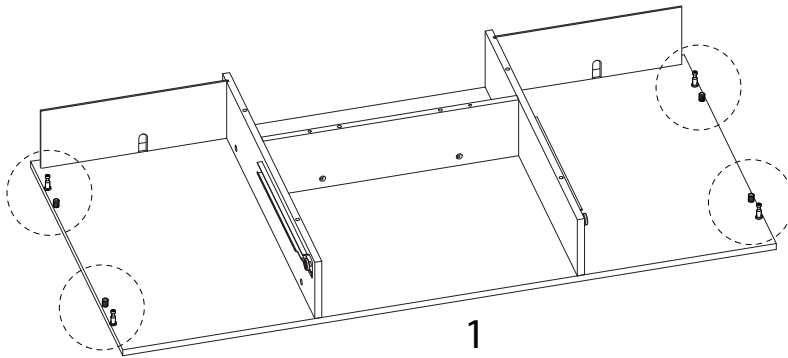
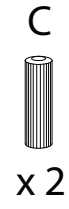
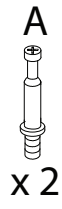
17



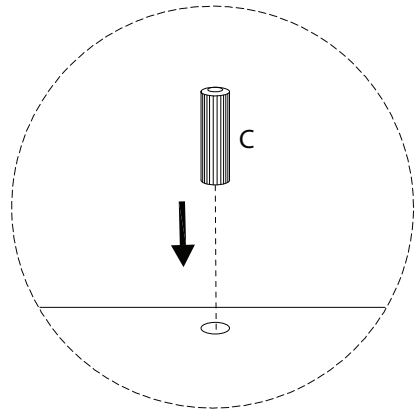
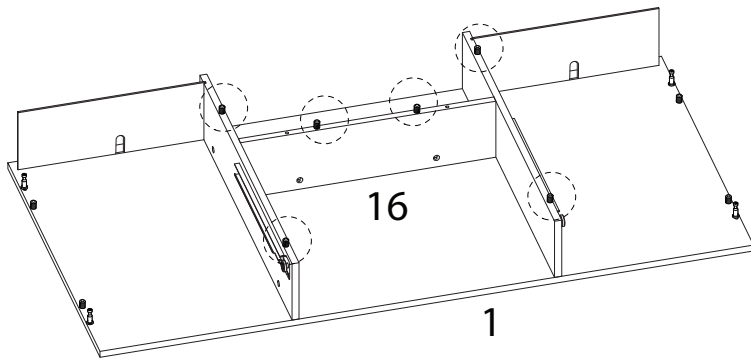
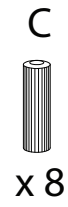
18



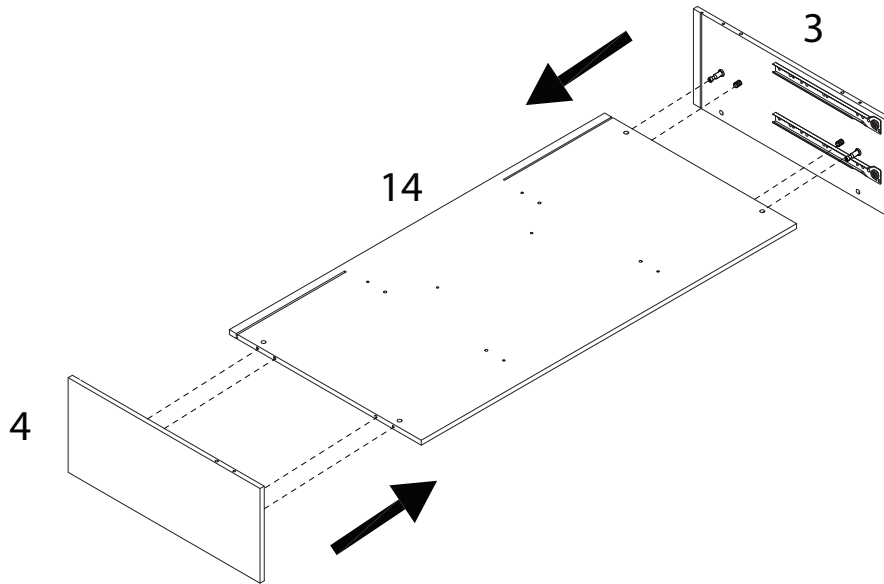
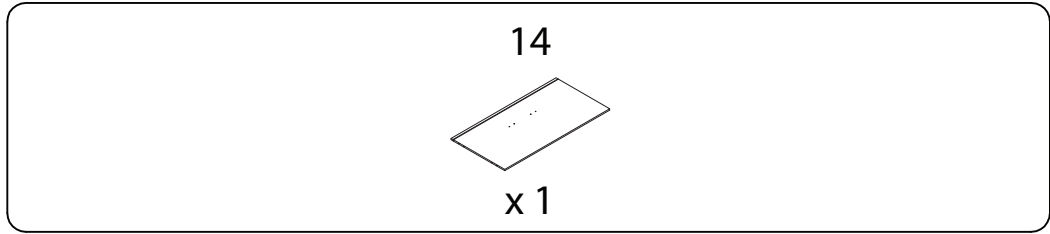
19



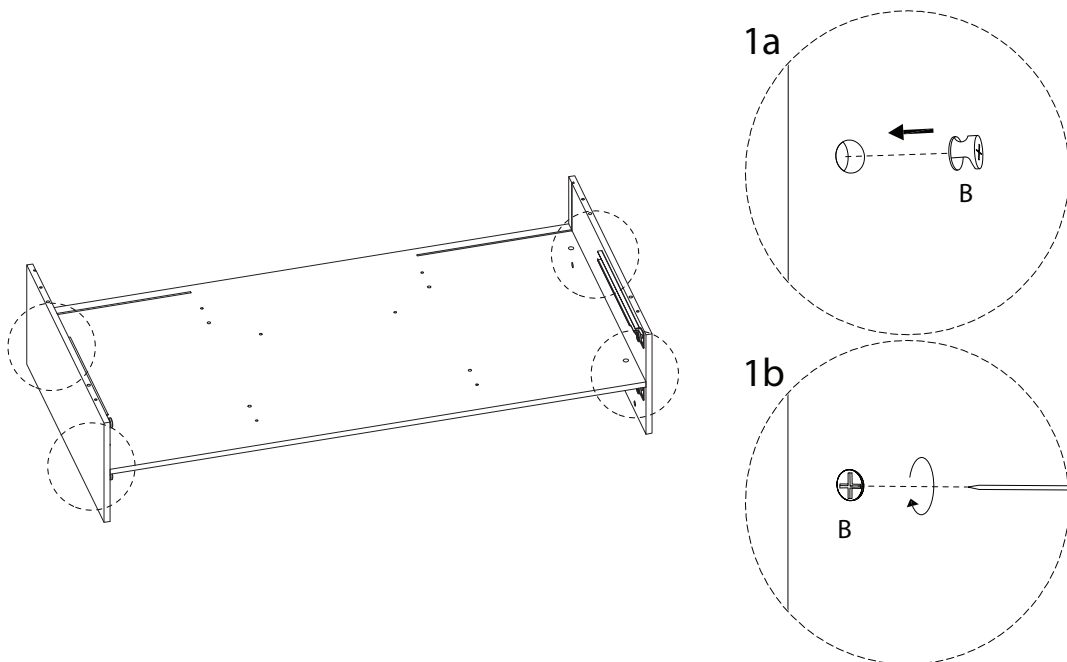
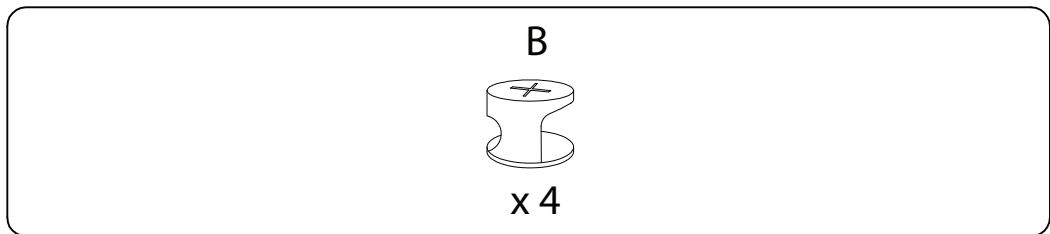
20



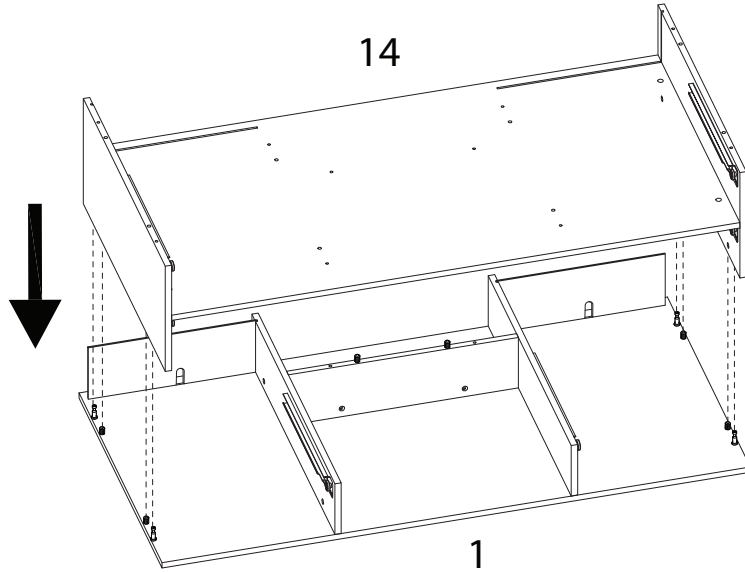
21



22



23

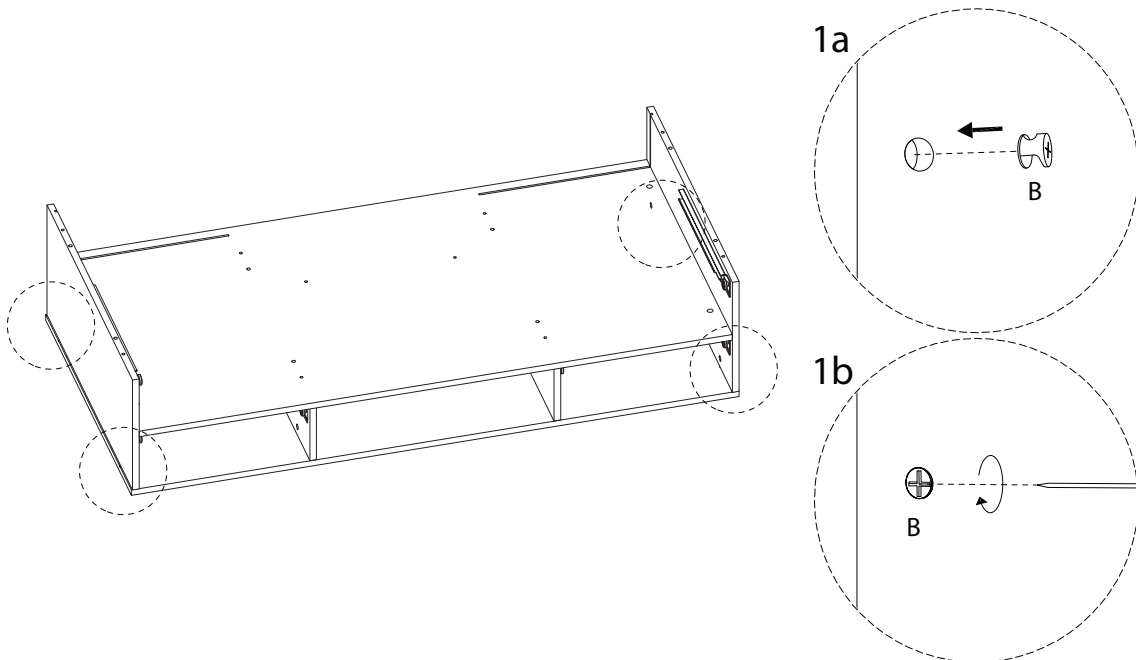


24

B

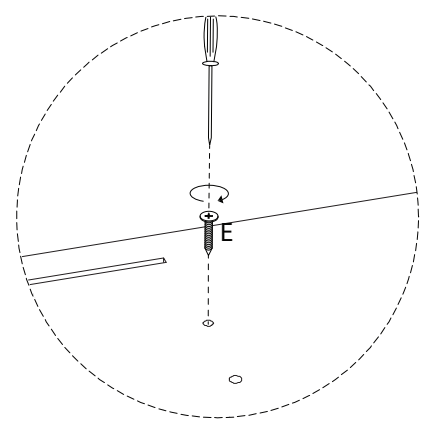
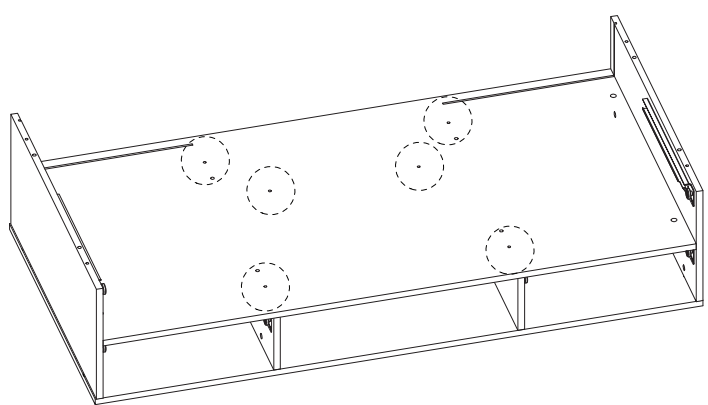


x 4



25

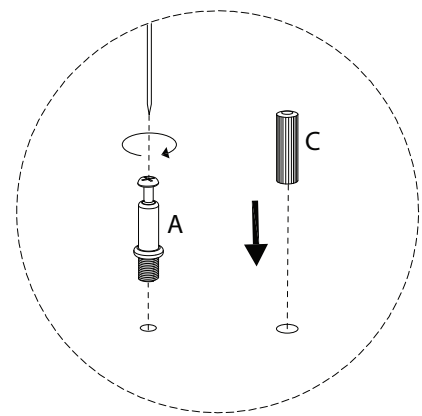
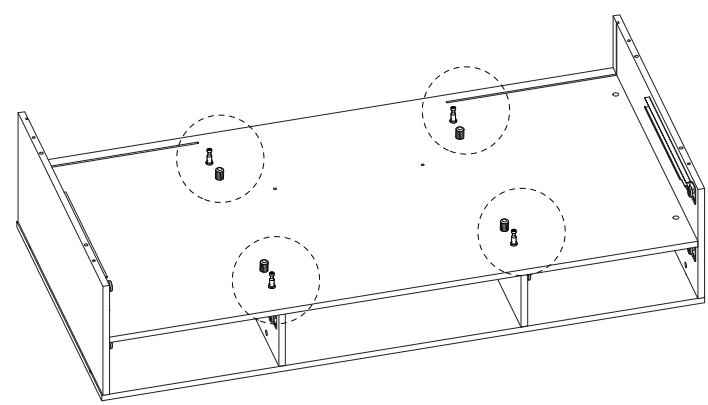
E  
M4  
x  
35  
x 6



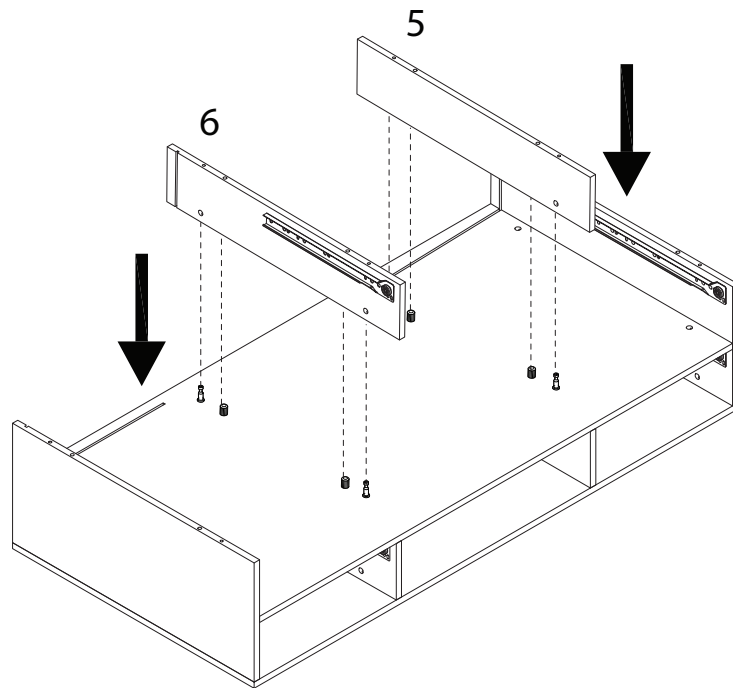
26

A  
x 4

C  
x 4



27

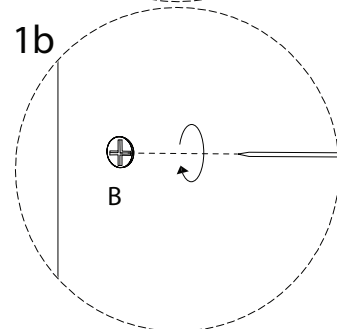
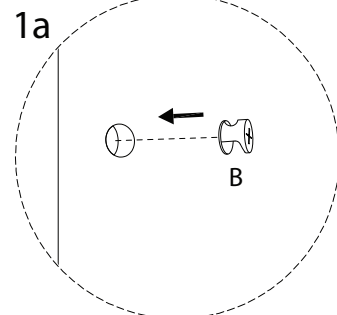
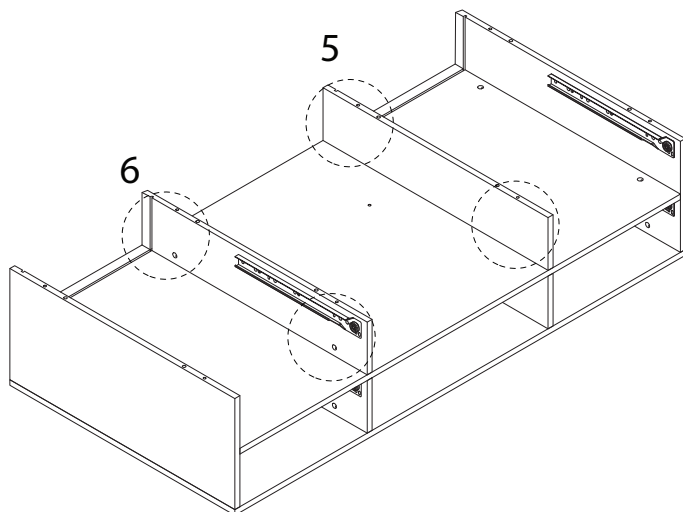


28

B

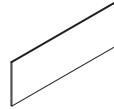


x 4

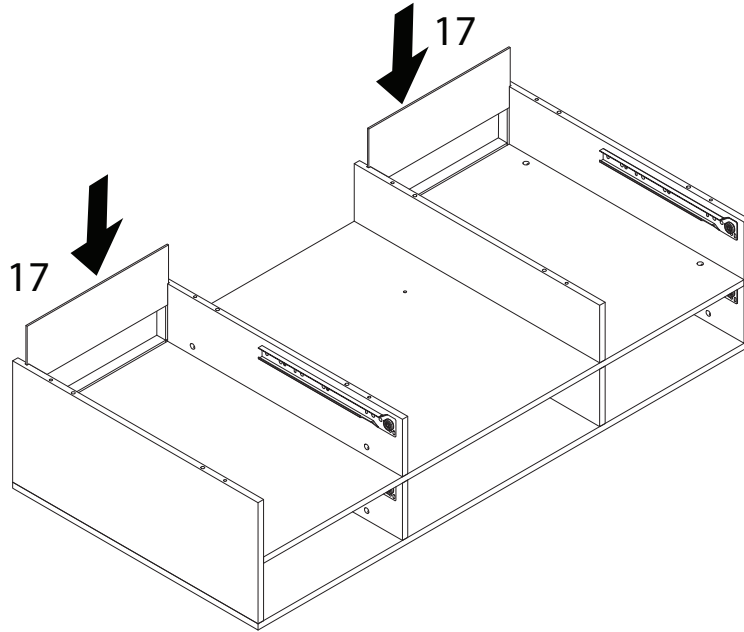


29

17



x 2

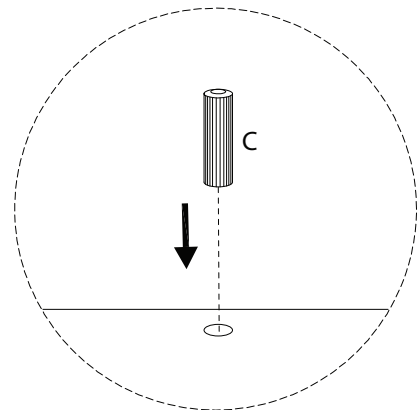
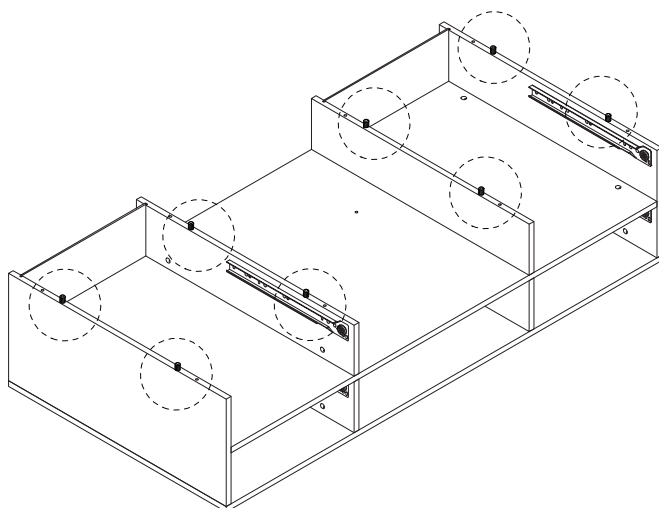


30

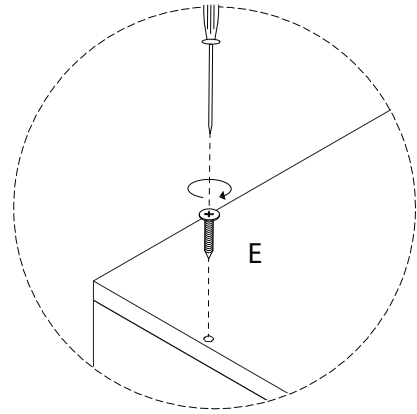
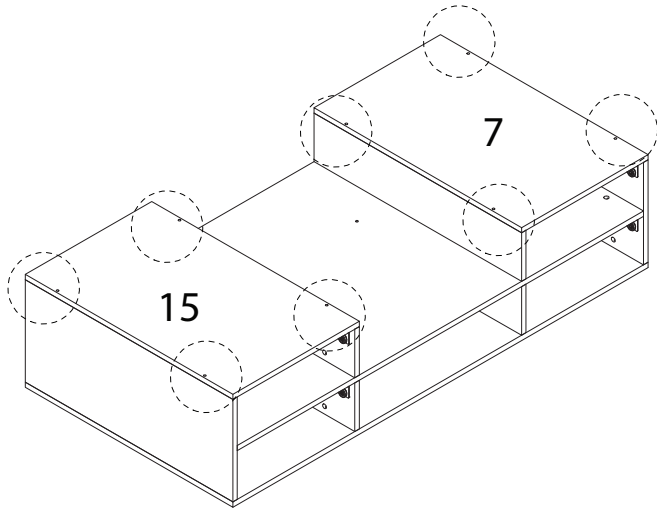
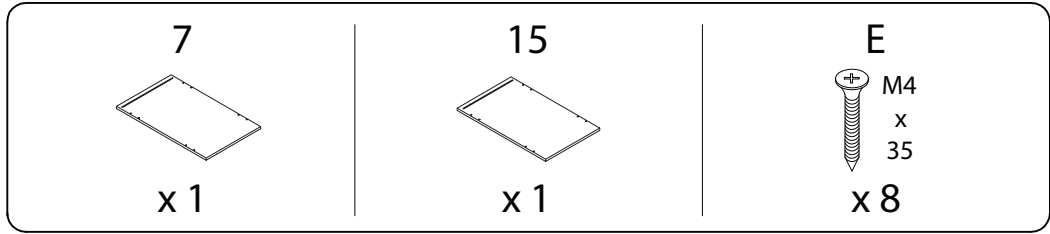
C



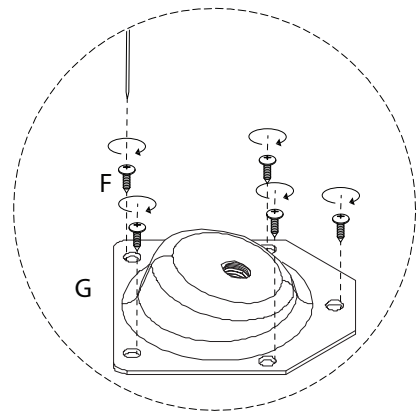
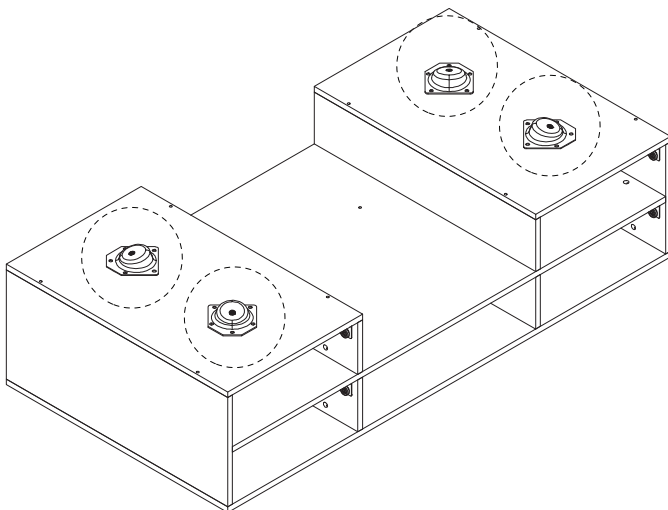
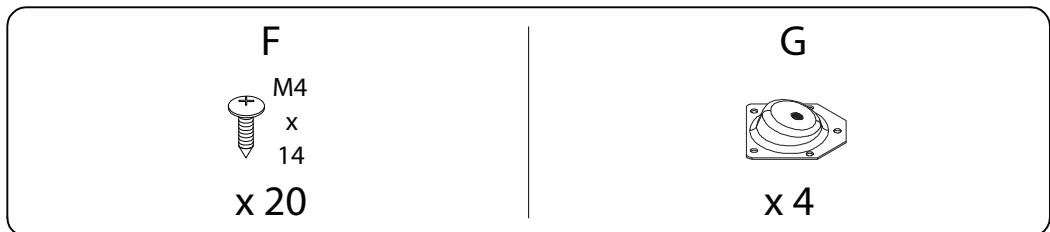
x 8



31

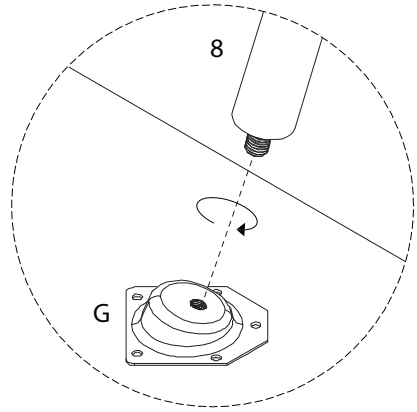
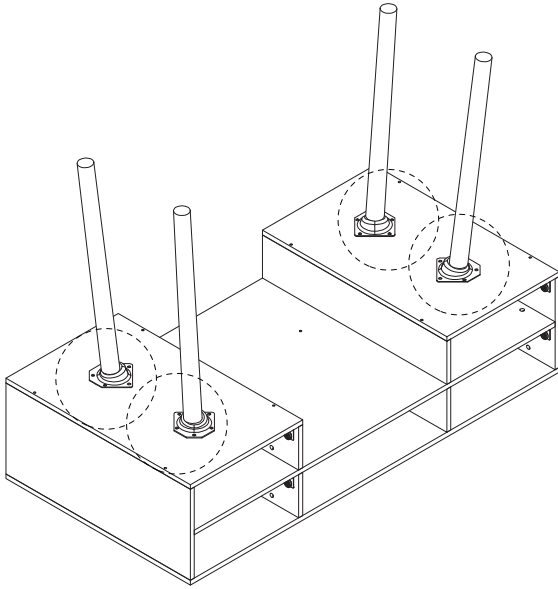


32

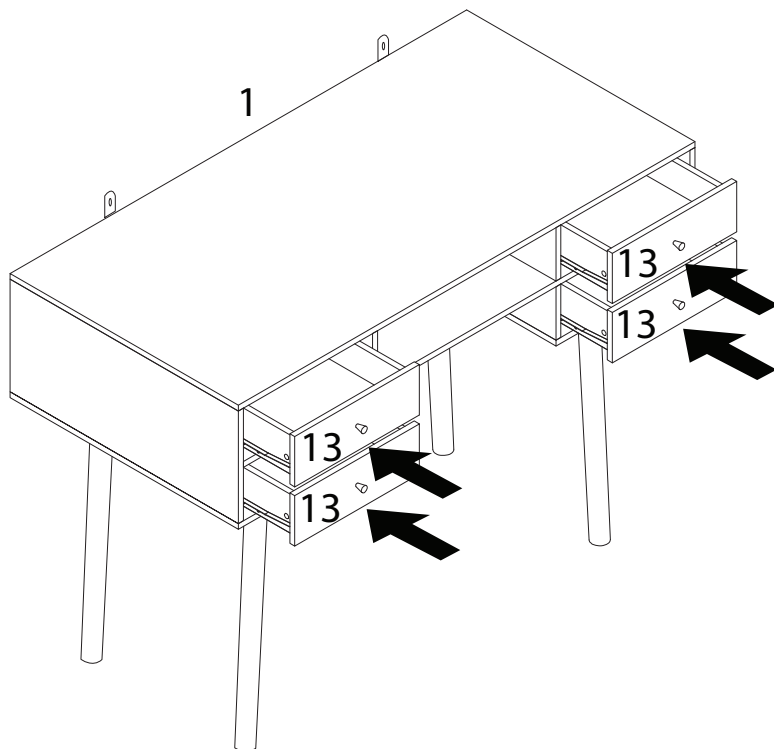


33

8  
x 4



34



35

E  
M4  
x  
35  
x 2

O  
x 2

