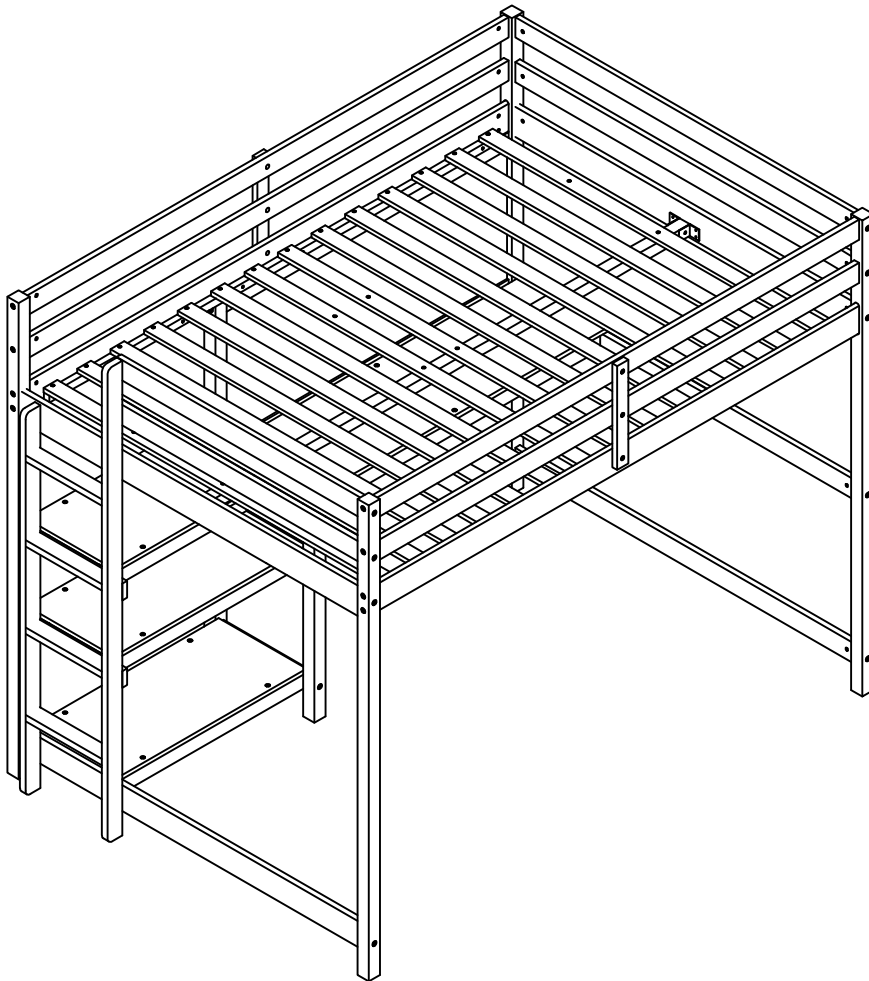


ASSEMBLY INSTRUCTIONS

LOFT BED WITH SHELF AND DESK





SAFETY WARNING



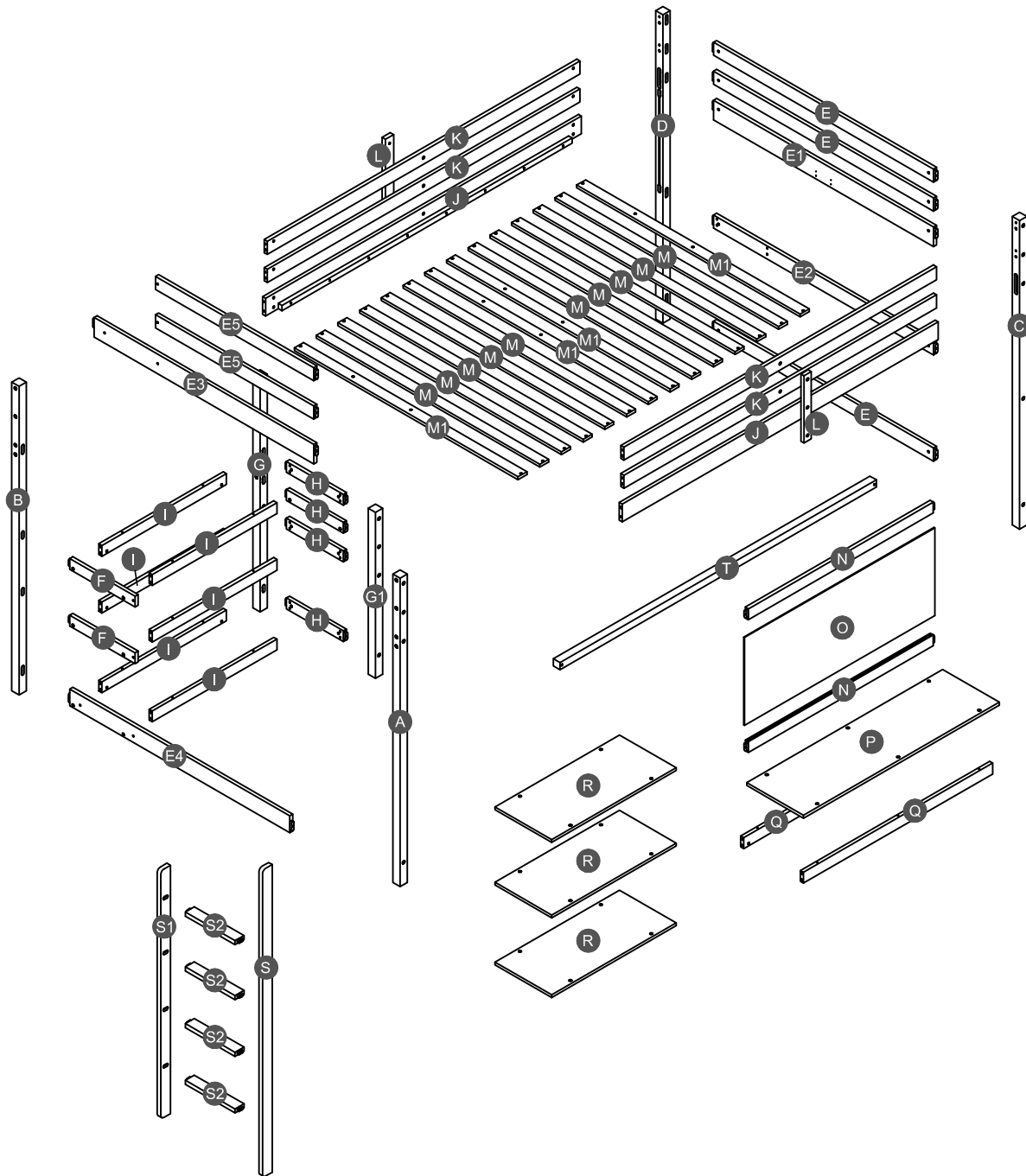
1. This bed is designed for use only mattress (es) meeting the following specifications on the upper bunk, and lower bunk:

Upper bunk (Bunk bed and tribed included)

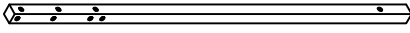

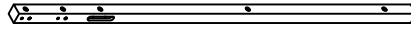
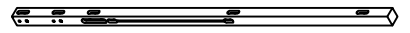

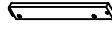

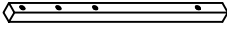

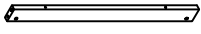


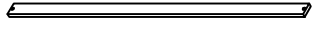

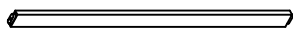
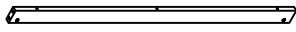
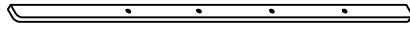
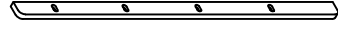
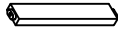

Bed type	Length	With	Thickness
Full Standard	74"-75"	54"	6"

2. Replacement parts, including additional guardrails, maybe obtained from any of our dealers.
3. Follow the information on the warnings appearing on the upper bunk bed end structure and on the carton. Do not remove warning label from bed.
4. Always use the recommended size mattresses or mattress supports, or both, to help prevent the likelihood of entrapment or falls.
5. Surface of mattress must be at least 5" (127mm) below the upper edge of guardrails.
6. Do not allow children under 6 years of age to use the upper bunk.
7. Periodically check and ensure that the guardrail, ladder, and other components are in their proper position, free from damage, and that all connectors are tight.
8. Do not allow horseplay on or under the bed and prohibit jumping on the bed.
9. Always use the ladder for entering and leaving the upper bunk.
10. Do not use substitute part. Contact the manufacture or dealer for replacement part.
11. Use of a night light may provide added safety precaution for a child using the upper bunk.
12. Always use guardrails on both long sides of the upper bunk. If the bunk bed will be placed next to the wall, the guardrail that runs the full length of the bed should be placed against the wall to prevent entrapment between the bed and wall.
13. The use of water or sleep flotation mattresses is prohibited.
14. STRANGULATION HAZARD - Never attach or hang items to any part of the bunk bed that are not designed for use with the bed; for example, but not limited to, hook, belts and jump ropes.
15. Keep these instruction for future reference.
16. Prohibit more than one person on upper bunk
17. We recommend assembling your bunk bed on the shipping carton to protect your floor or carpet.
18. Be certain all staples are out of the box before beginning assembly on the shipping carton.

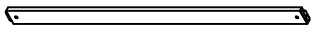
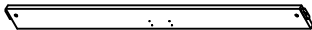
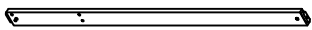
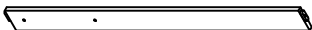




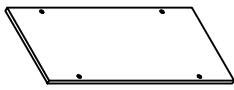
Detail View



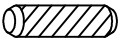
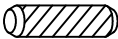
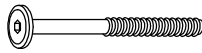
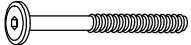



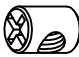



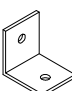

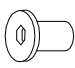
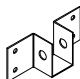
Part List

<p>A</p>  <p>Leg (Left Front) - 1pc</p>	<p>B</p>  <p>Leg (Left Back) - 1pc</p>	<p>C</p>  <p>Leg (Right Front) - 1pc</p>
<p>D</p>  <p>Leg (Right Back) - 1pc</p>	<p>E5</p>  <p>Upper horizontal bar FB - 2pcs</p>	<p>F</p>  <p>Support FB - 2pcs</p>
<p>G</p>  <p>Leg (Front) - 1pc</p>	<p>G1</p>  <p>Leg (Back) - 1pc</p>	<p>H</p>  <p>Horizontal bar - 4pcs</p>
<p>I</p>  <p>Horizontal bar (Front/Back) - 6pcs</p>	<p>J</p>  <p>Side rail - 2pcs</p>	<p>K</p>  <p>Long guard rail - 4pcs</p>
<p>M</p>  <p>Slat - 10pcs</p>	<p>M1</p>  <p>Slat - 4pcs</p>	<p>N</p>  <p>Horizontal bar (Back) - 2pcs</p>
<p>Q</p>  <p>Lower horizontal bar - 2pcs</p>	<p>S</p>  <p>Long ladder (right) - 1pc</p>	<p>S1</p>  <p>Short ladder (left) - 1pc</p>
<p>S2</p>  <p>Step ladder - 4pcs</p>	<p>T</p>  <p>Lower support slat - 1pc</p>	

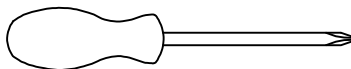
Part List

<p>E</p>  <p>Horizontal bar HB - 3pcs</p>	<p>E1</p>  <p>Upper horizontal bar HB - 1pc</p>	<p>E2</p>  <p>Divider horizontal bar HB - 1pc</p>
<p>E3</p>  <p>Upper horizontal bar FB - 1pc</p>	<p>E4</p>  <p>Lower horizontal bar FB - 1pc</p>	<p>L</p>  <p>Vertical guard rail - 2pcs</p>
<p>O</p>  <p>Back panel - 1pc</p>	<p>P</p>  <p>Top panel - 1pc</p>	<p>R</p>  <p>Shelf panel - 3pcs</p>

Hardware List



1  Ø10*40mm Wood dowel (8pcs)	2  Ø8*30mm Wood dowel (16pcs)	3  (Ø15)1/4"*100mm Hex-Head bolts (16pcs)
4  (Ø15)1/4"*80mm Hex-Head bolts (30pcs)	5  (Ø12)1/4"*60mm Hex-Head bolts (24pcs)	6  (Ø12)1/4"*40mm Hex-Head bolts (10pcs)
7  (Ø12)1/4"*30mm Hex-Head bolts (6pcs)	8  1/4"*15 (9.5mm) Horizontal-Hole bolts(70pcs)	9  (Ø12)1/4"*40mm Hex-Head bolts (18pcs)
10  Ø4*30mm Wood screws (32pcs)	11  (1/4")4.5*58mm Allen key (2pcs)	12  24*28*28*2mm Metal bracket (1pc)
13  Ø3.5*15mm Wood screws (10pcs)	14  (Ø13)1/4"*14mm Connect bolt (2pcs)	15  116*40*27mm Metal bracket (2pcs)

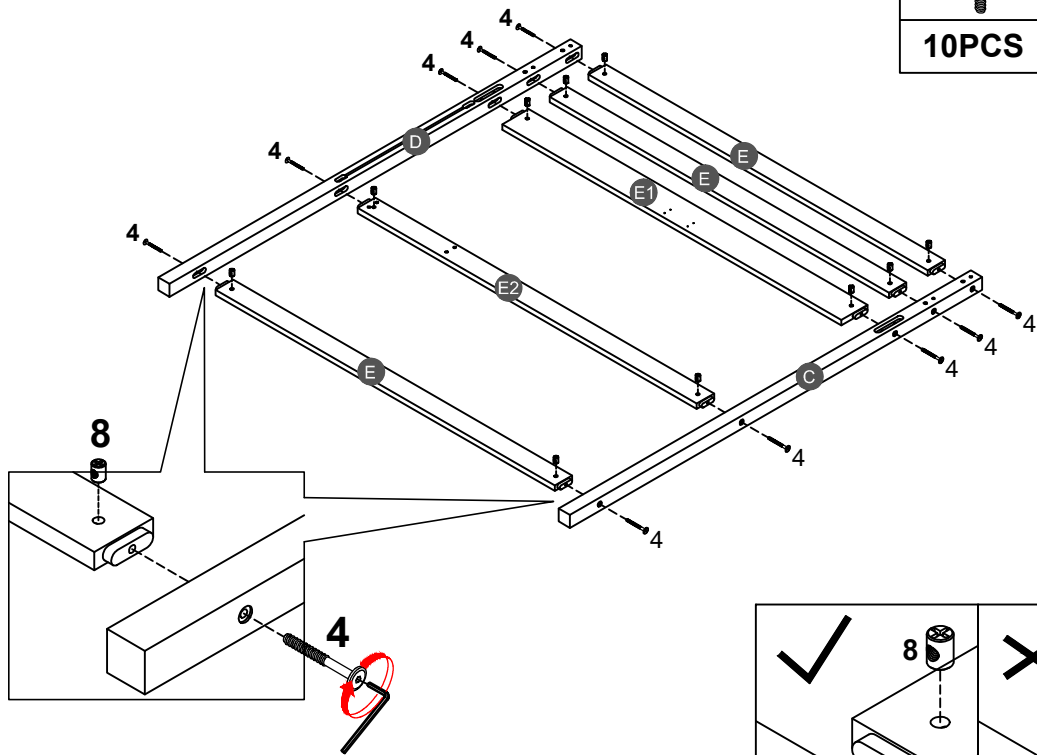
ASSEMBLY TOOLS REQUIRED (NOT INCLUDED)



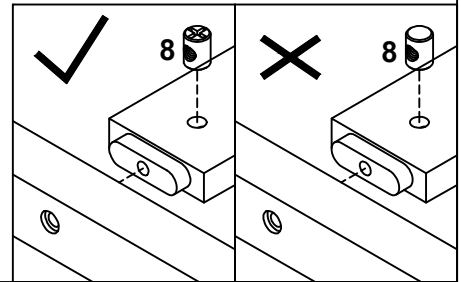
PLEASE BE CAREFUL DO NOT DAMAGE THE HOLE POSITION WHEN YOU USE POWER TOOLS !

STEP 1:


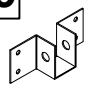
4		8	
10PCS		10PCS	

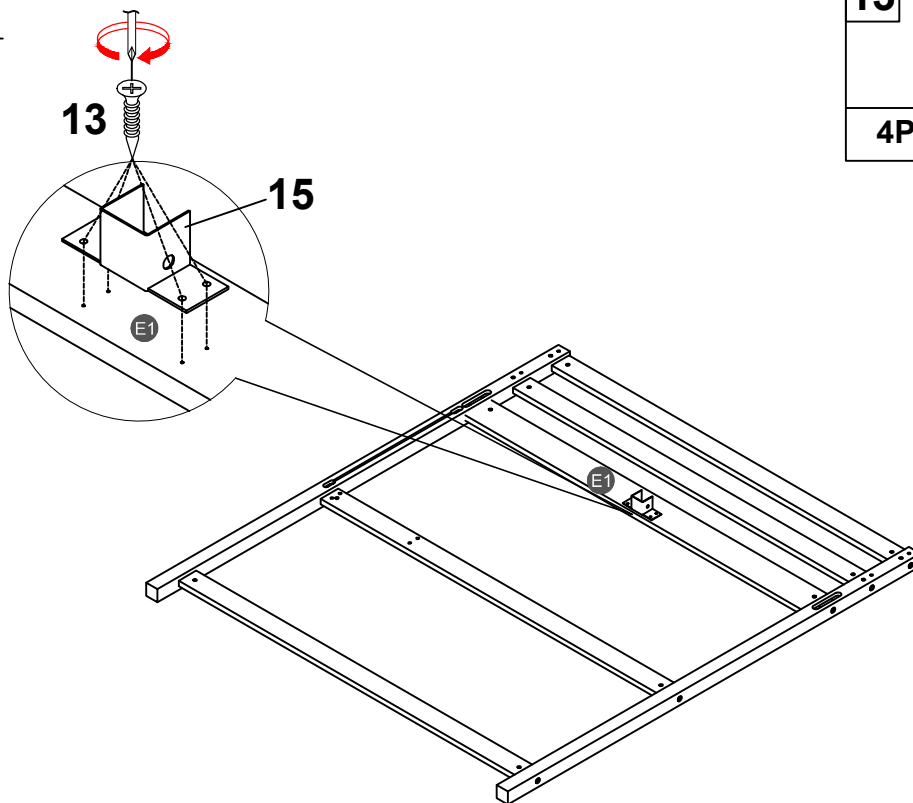


Note: Part 8 will face up with the "x" mark on it, otherwise it cannot be tightened



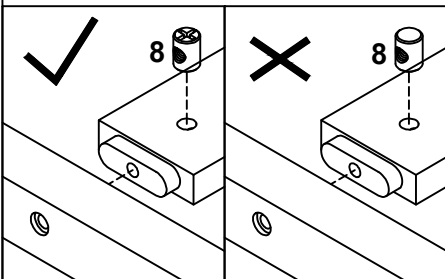
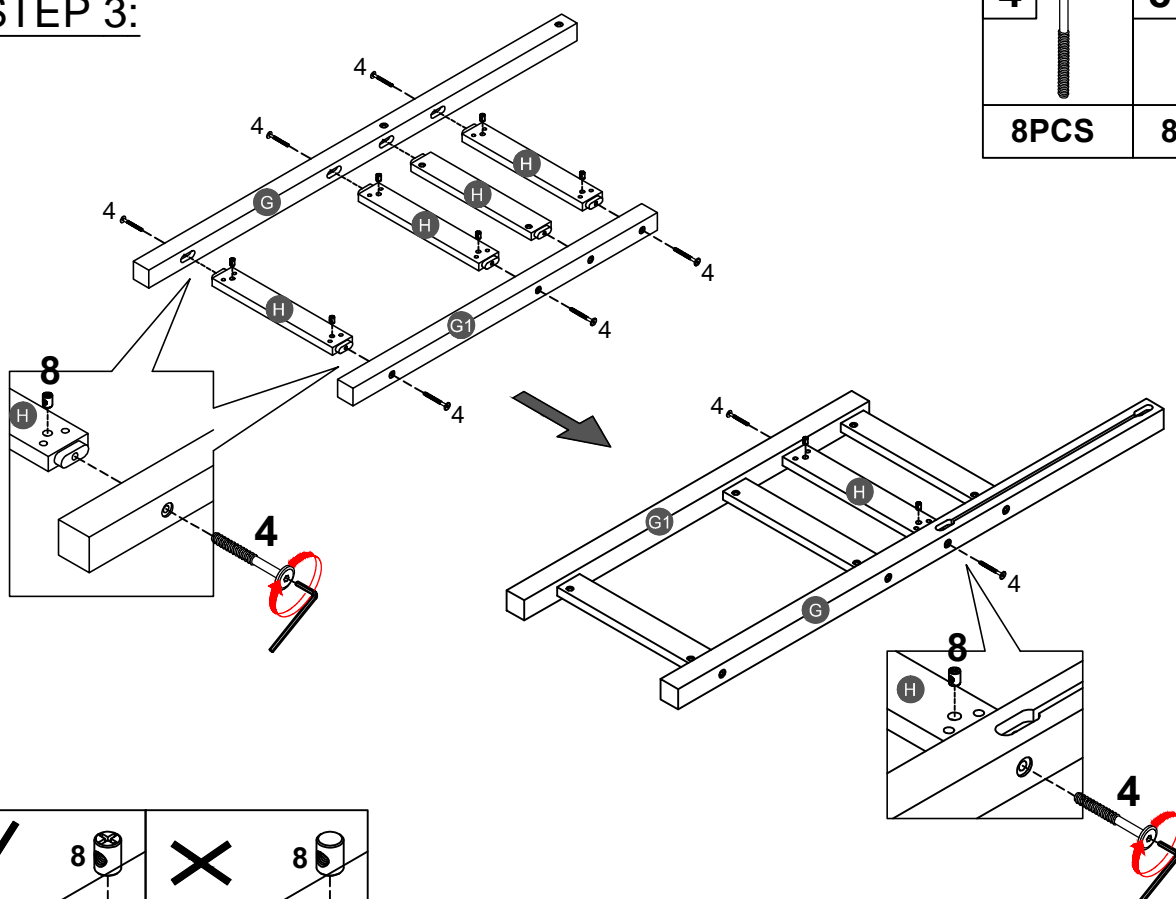
STEP 2:

13		15	
4PCS		1PC	



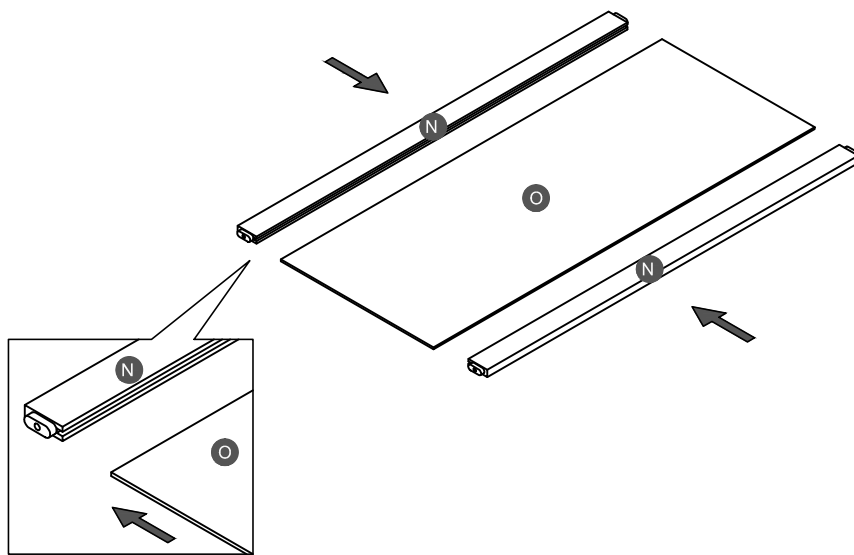
STEP 3:

4	8
8PCS	8PCS

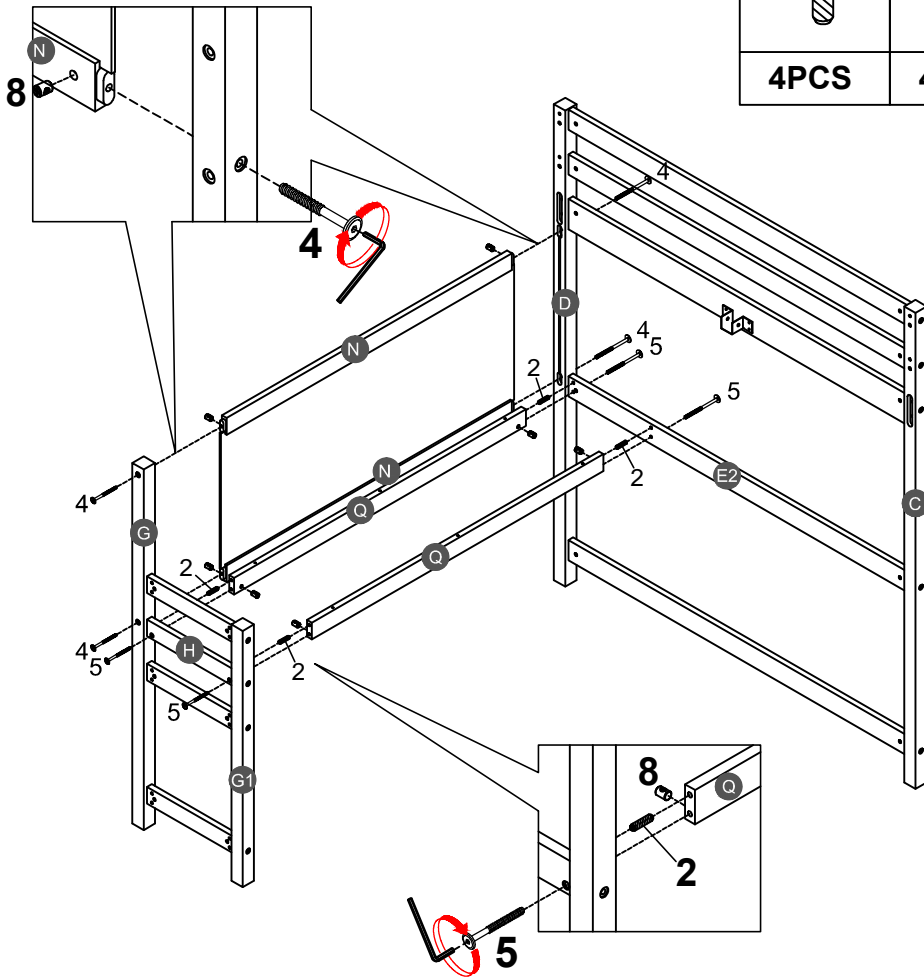






Note: Part 8 will face up with the "x" mark on it, otherwise it cannot be tightened

STEP 4:

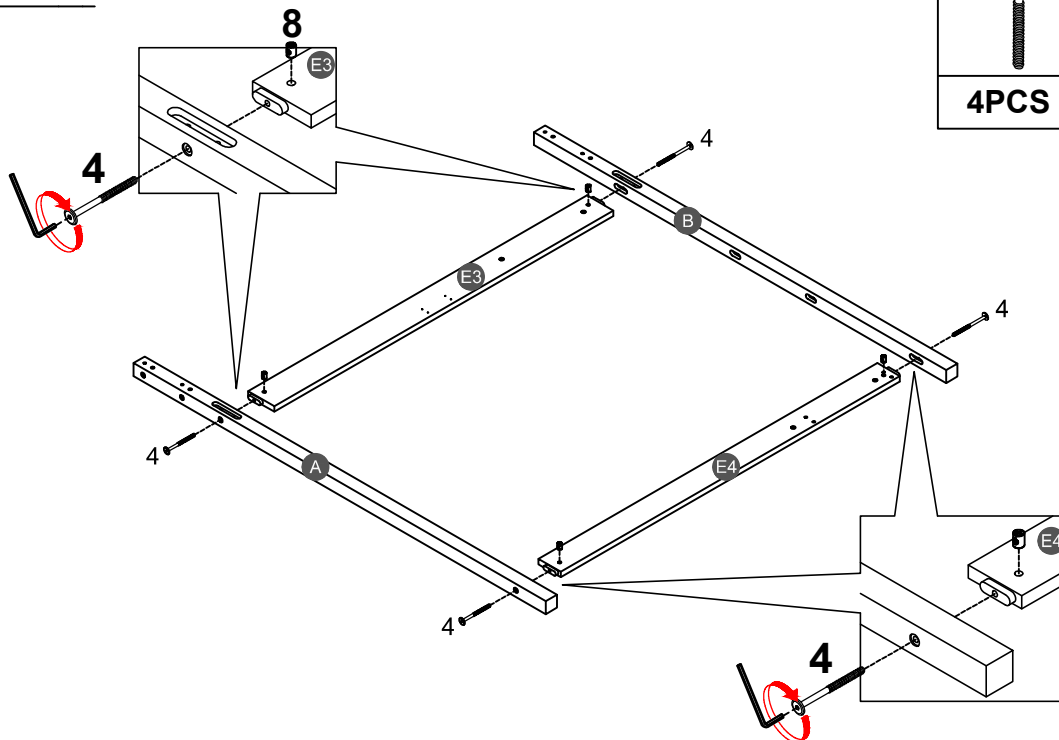




STEP 5:



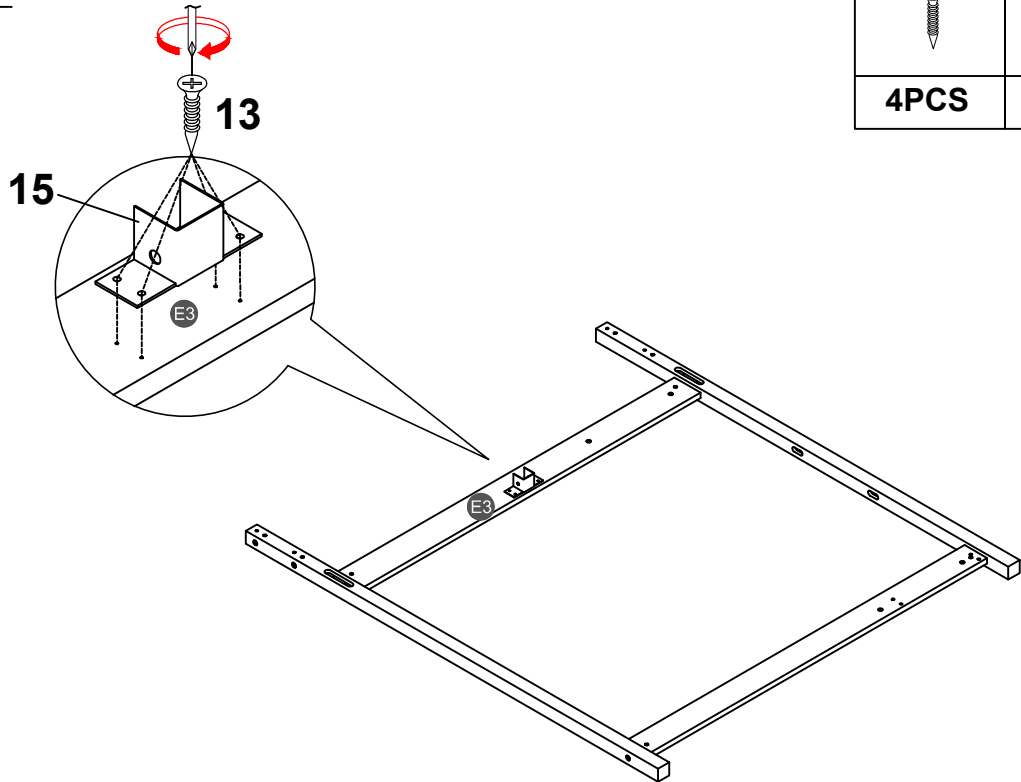
2		4		5	
4PCS		4PCS		4PCS	
				8	
				8PCS	



STEP 6:



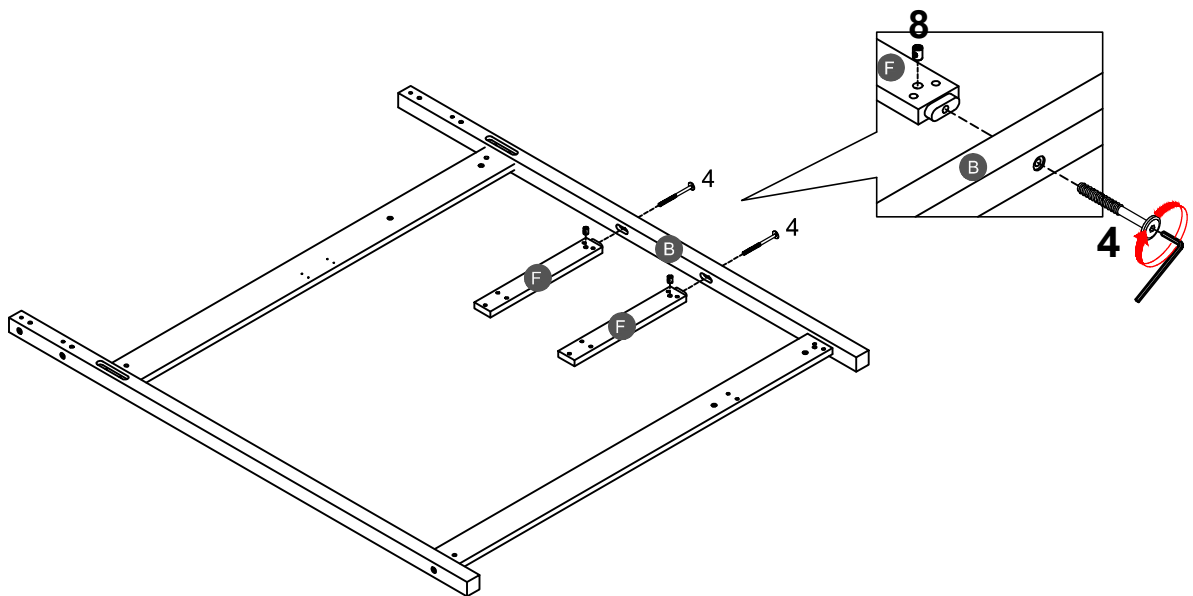
4		8	
4PCS		4PCS	



STEP 7:








13		15	
	4PCS		1PC

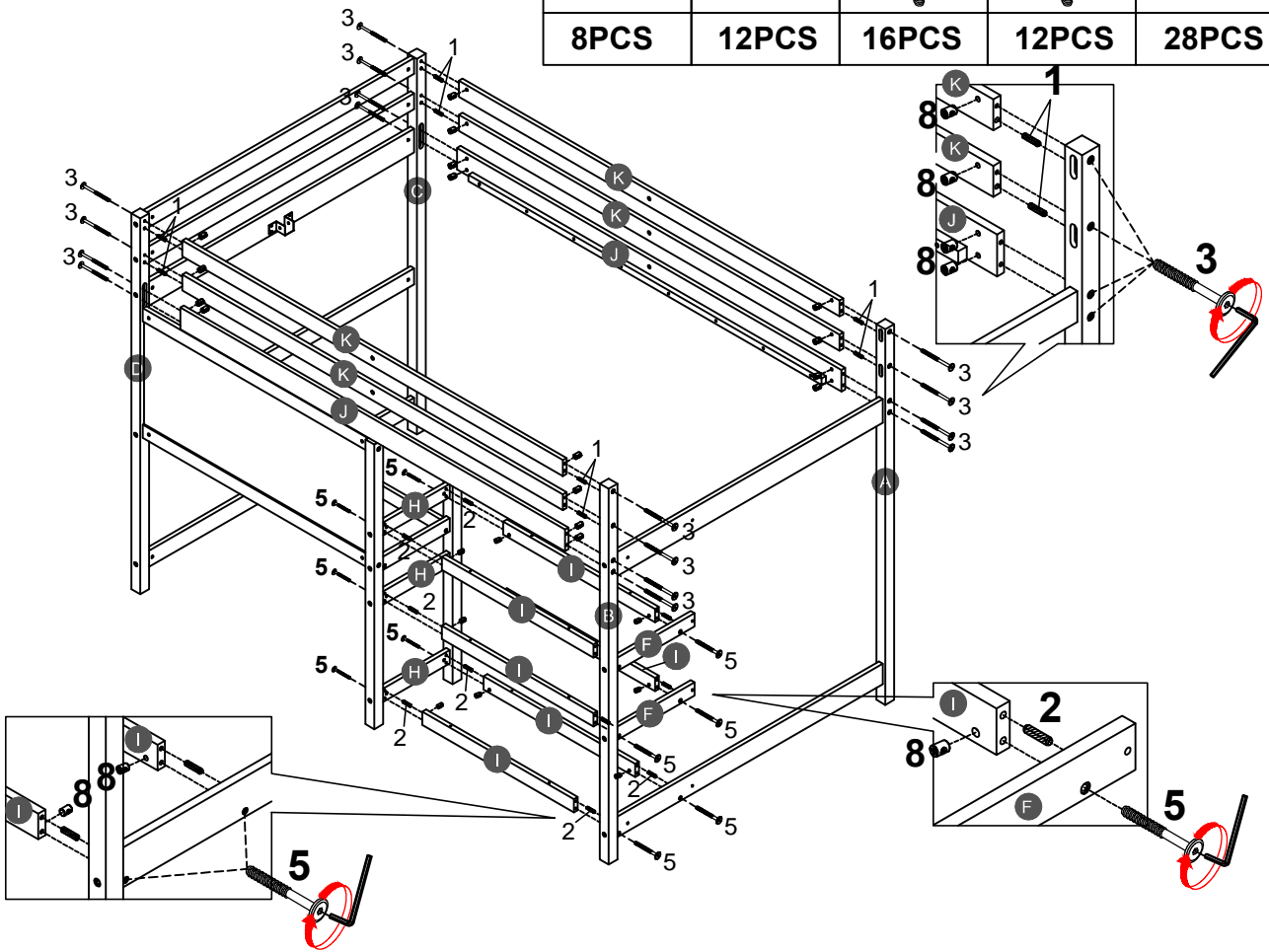
STEP 8:




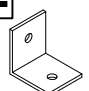

4		8	
	2PCS		2PCS

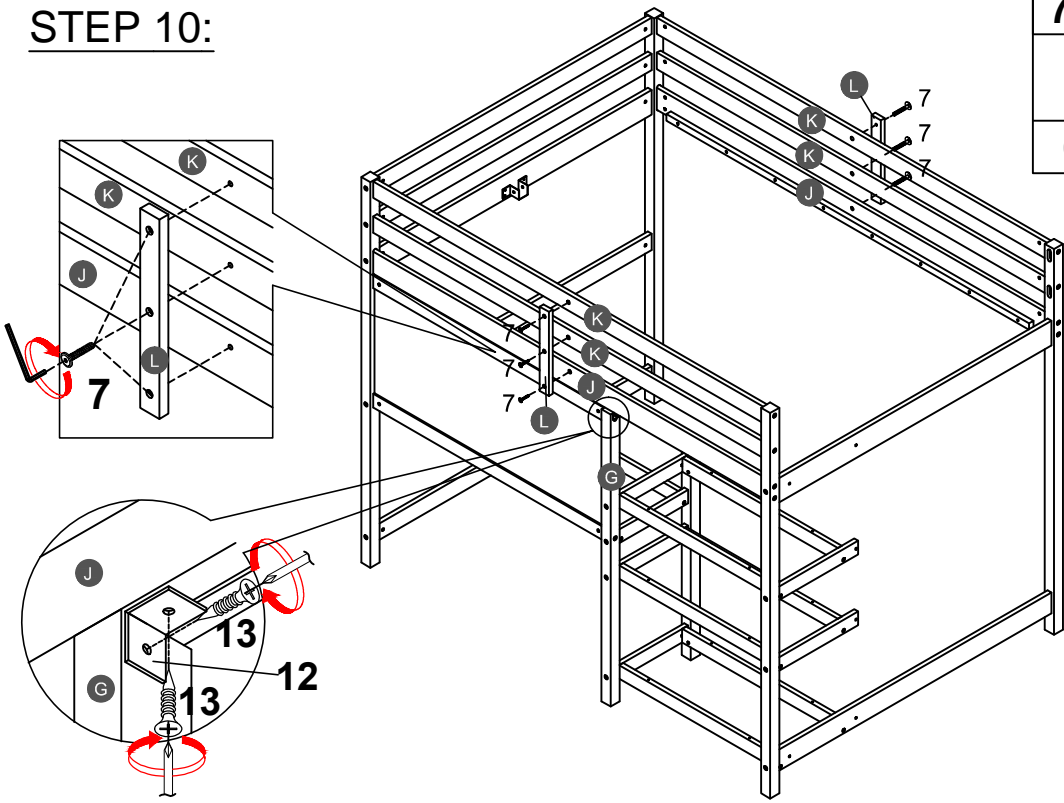
STEP 9:

1		2		3		5		8	
8PCS		12PCS		16PCS		12PCS		28PCS	

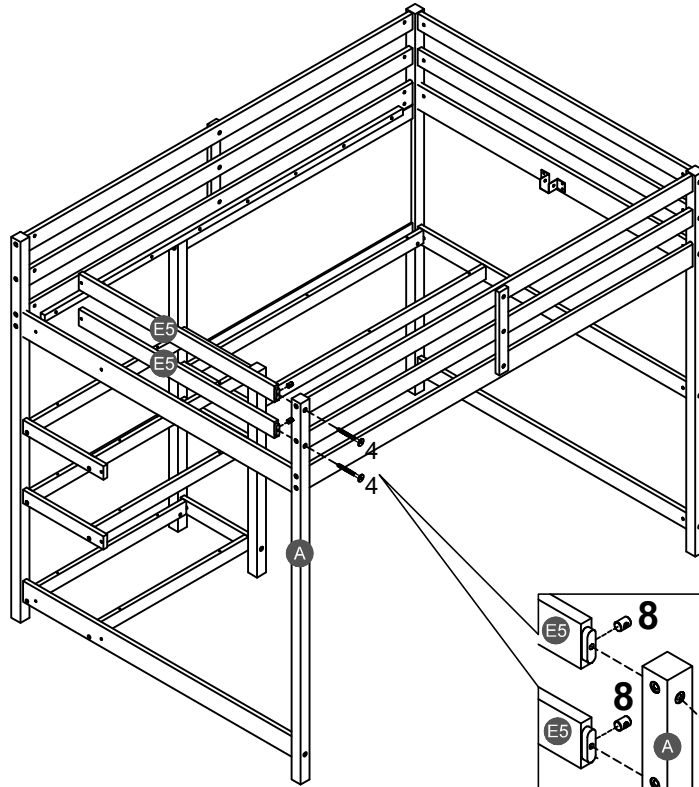




STEP 10:

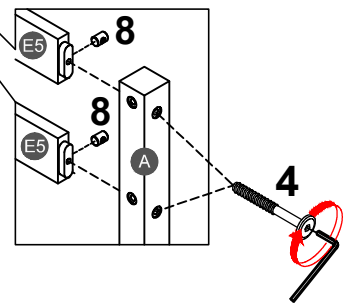
7		12	
6PCS		1PC	
		13	
		2PCS	



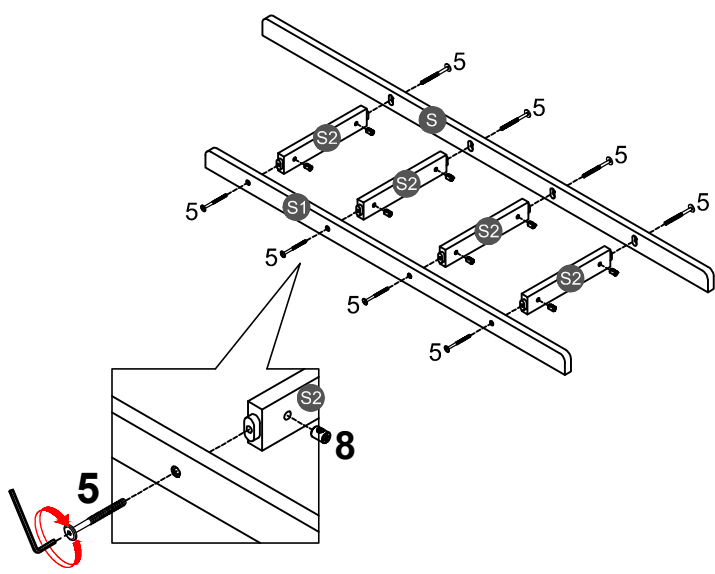
STEP 11:





4		8	
2PCS		2PCS	



STEP 12:



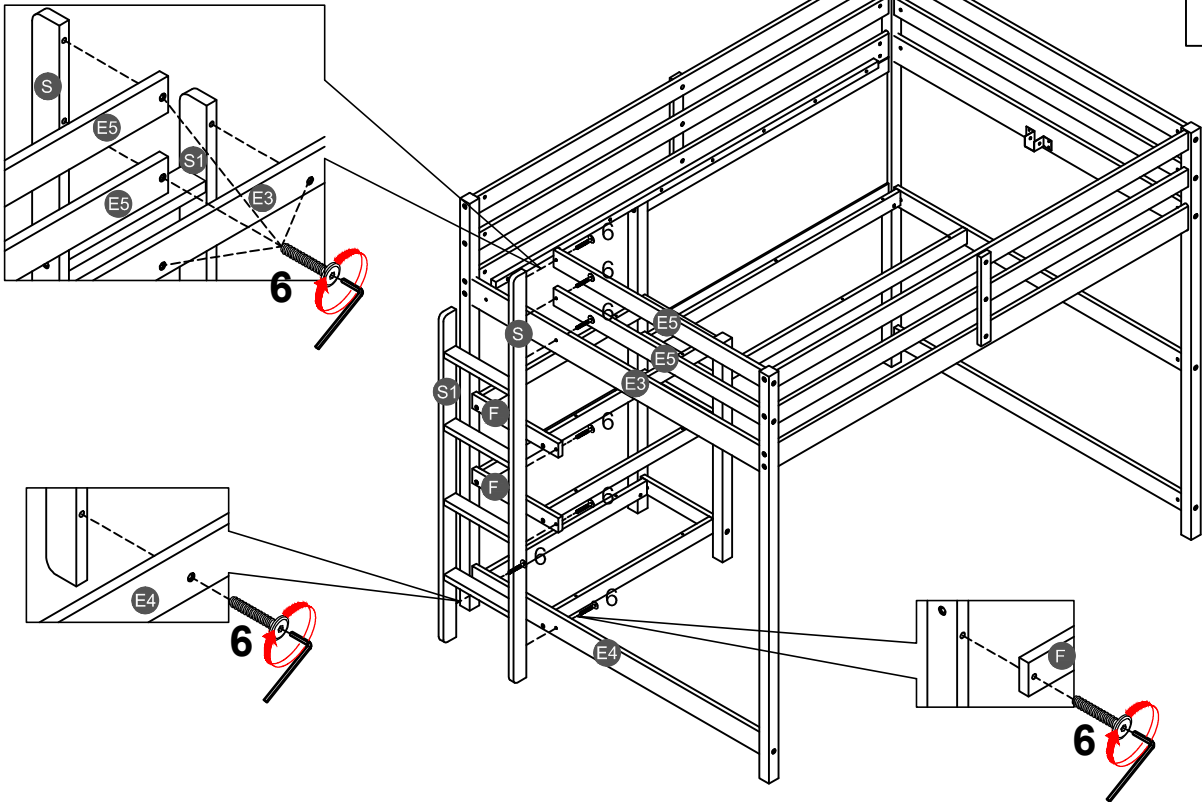
5		8	
8PCS		8PCS	

STEP 13:

6



8PCS

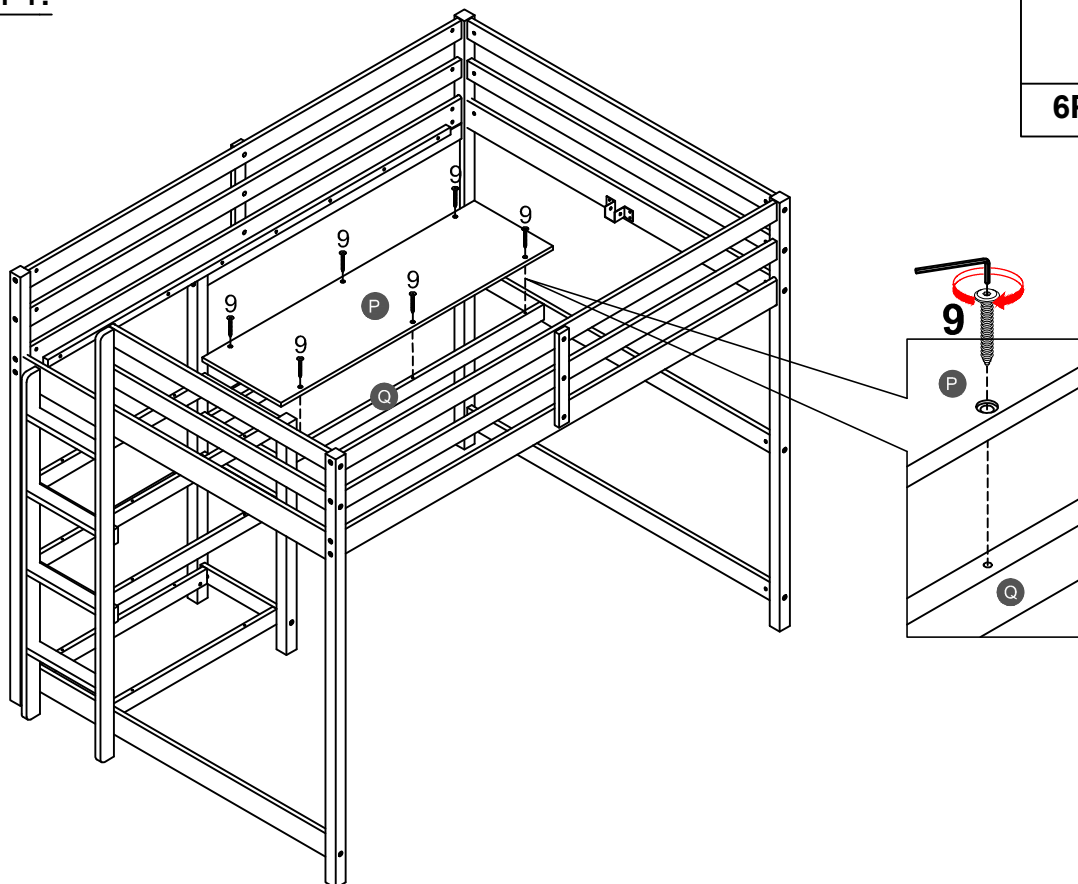


STEP 14:

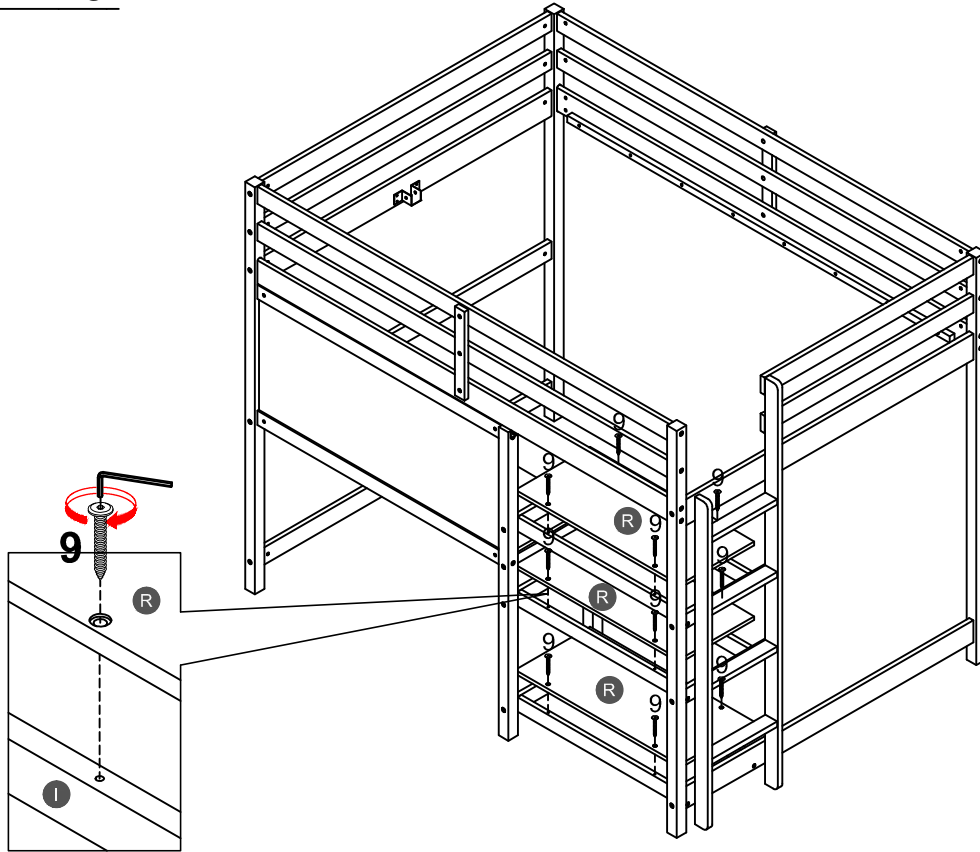
9



6PCS



STEP 15:

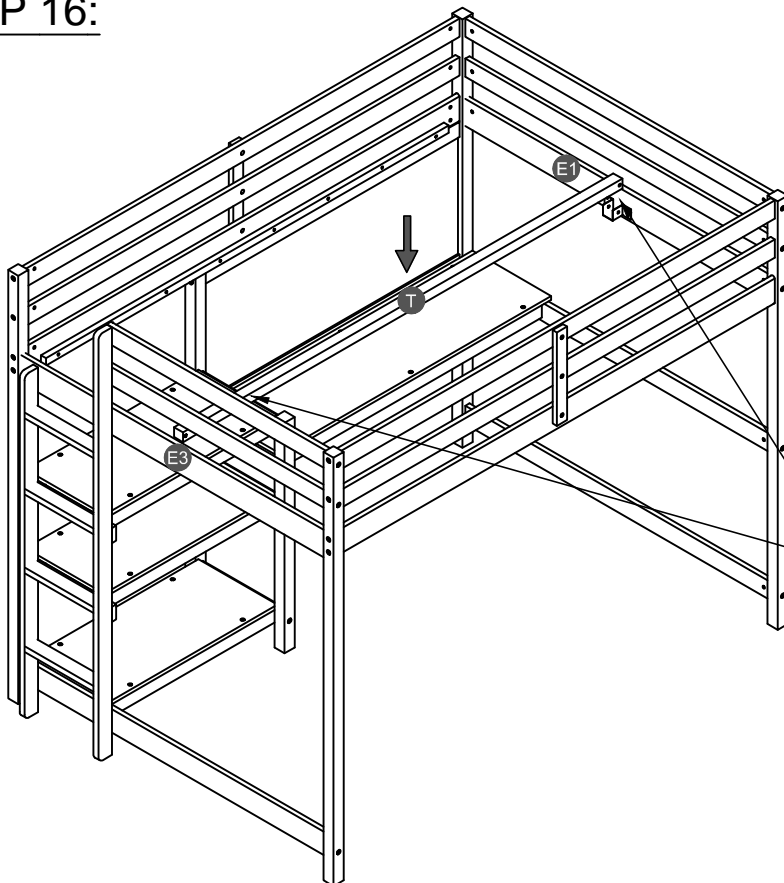


9



12PCS

STEP 16:



6

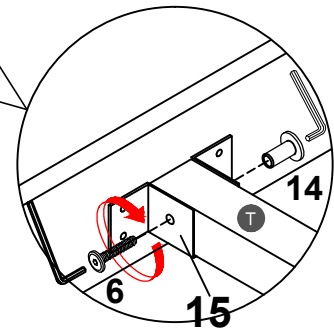


2PCS


14

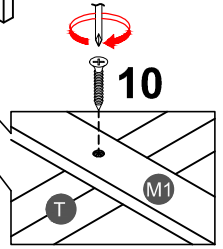
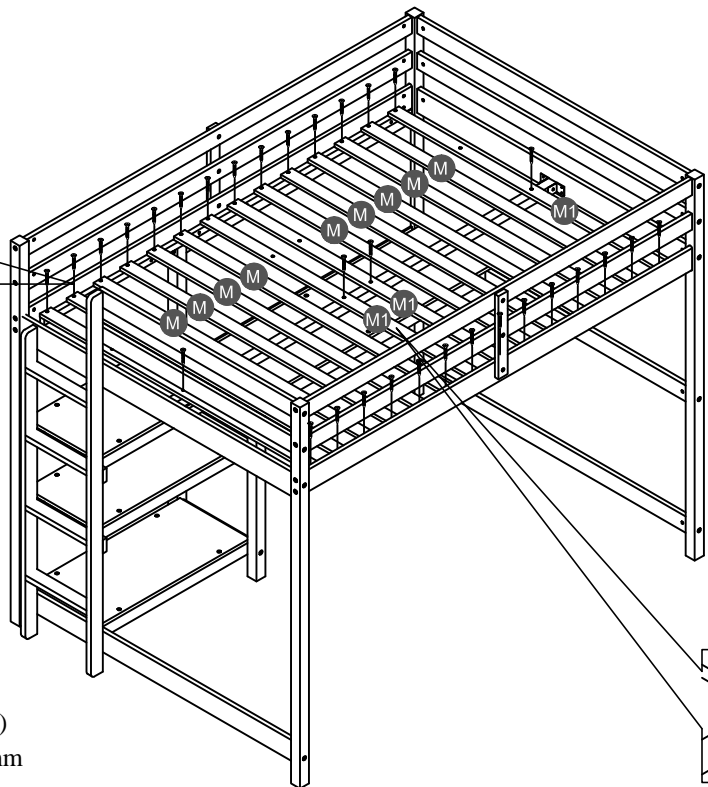
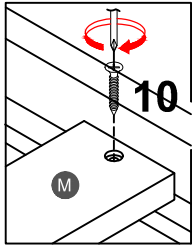


2PCS

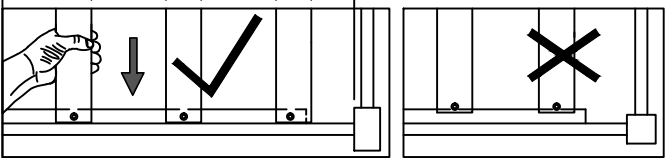


STEP 17:

10

32PCS



(3.1") 79mm
(3.3") 84.5mm
(2.4") 61mm



Note: Do not lock the screws of the bed slats to the outermost edge of the bed slats, you need to leave a certain space at the edges, otherwise it will cause the board to break. Do not lock the bed slats on the edge of the wood, please hold firmly before screwing , hold it in place with one hand, then lock the screw.

