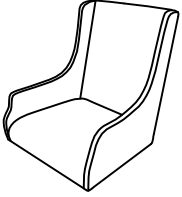


ASSEMBLY INSTRUCTION

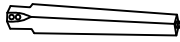
ACCENT CHAIR WITH SLOPING TRACK ARM

A Seat W/Back



1pc

B Front Leg



2pcs

C Back Leg



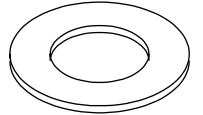
2pcs

D Lock Washer



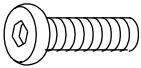
8pcs

E Flat Washer



8pcs

F Bolt
5/16"x2-1/4"

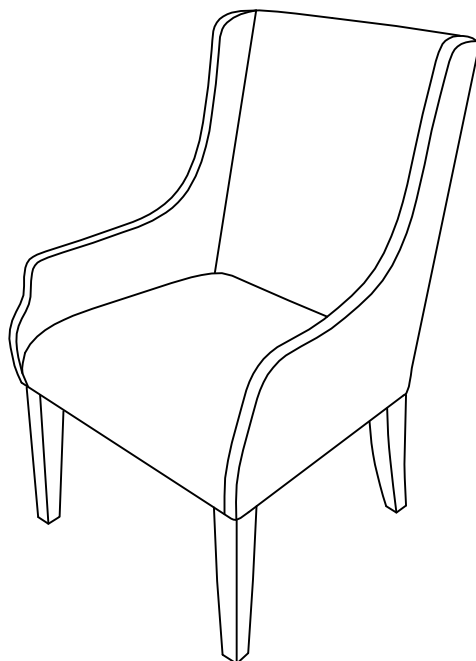


8pcs

G Allen Wrench



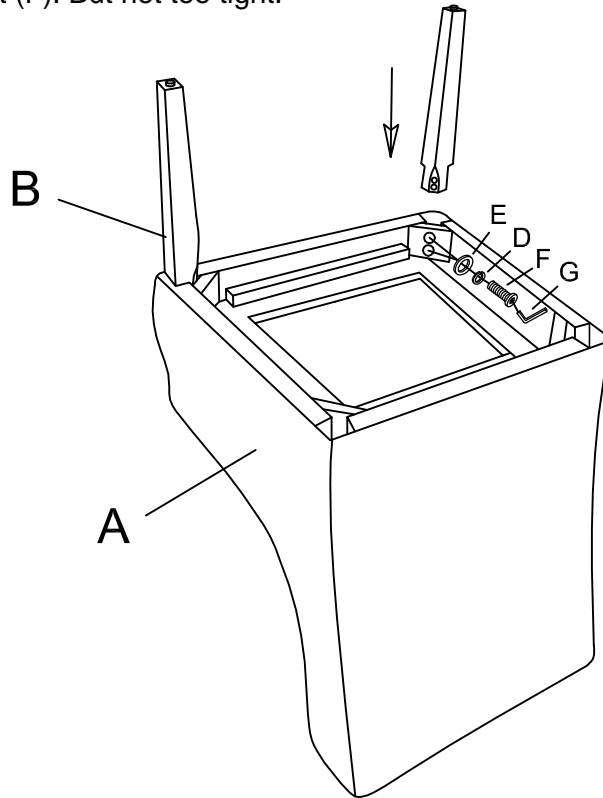
1pc



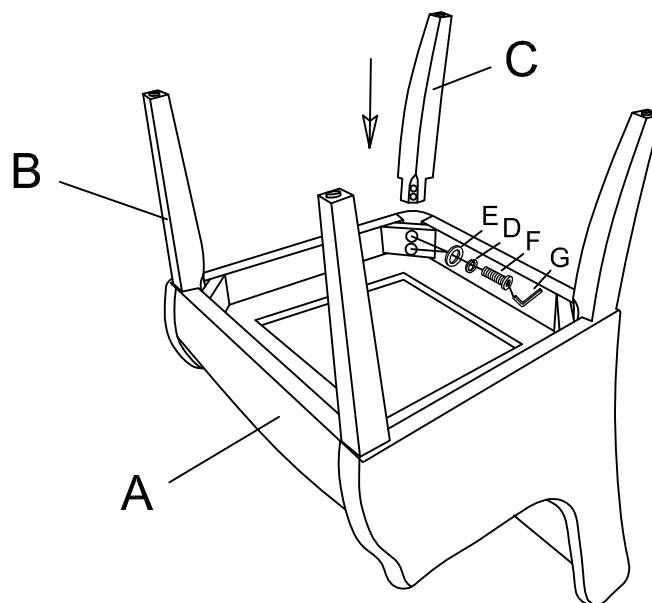
This page lists all the contents included in the box. Please take the time to identify the hardware as well as the individual components to this product. As you unpack and prepare for assembly, place the contents on a carpeted or padded area to protect them from damage.

1

Put the seat W/Back (A) on a smooth flat surface, attached one front leg (B) to the seat W/Back (A) use bolt (F), lock washer (D) and flat washer (E) on both of hole of seat W/Back (A). Turn the allen wrench (G) in bolt (F). But not too tight.

**2**

Put the seat W/Back (A) on a smooth flat surface, attached one back leg (C) to the seat W/Back (A) use bolt (F), lock washer (D) and flat washer (E) on both of hole of seat W/Back (A). Turn the allen wrench (G) in bolt (F). But not too tight.



Cleaning & Care

Treat surface with care. Surface is resistant to scratches but is not scratch resistant. Clean surfaces with a dry or damp soft cloth. Do not use abrasive cleaners. Hardware may loosen over time. Periodically check that all connections are tight.