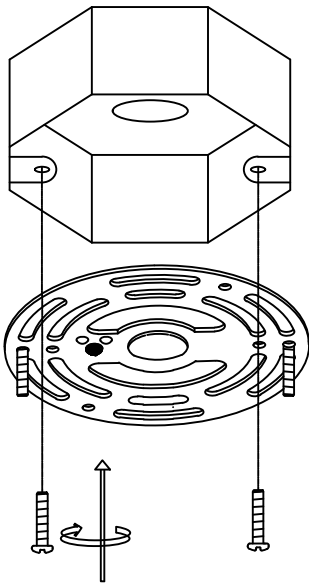
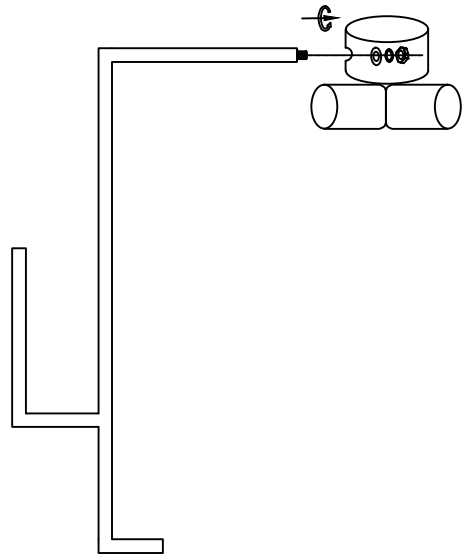


Installation

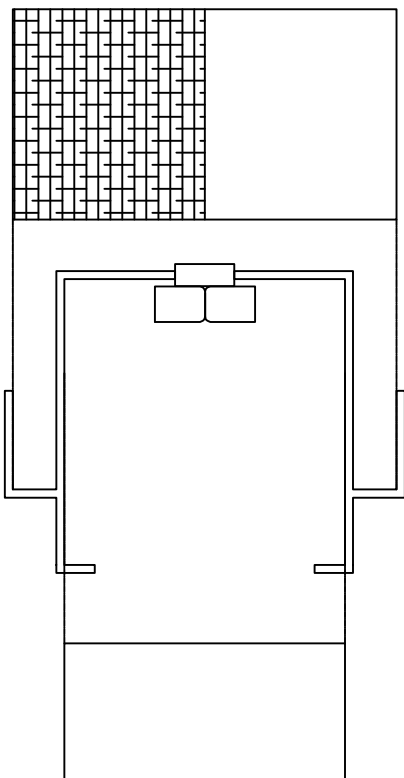
- 1 Install the mounting plate to the outlet box by screws.



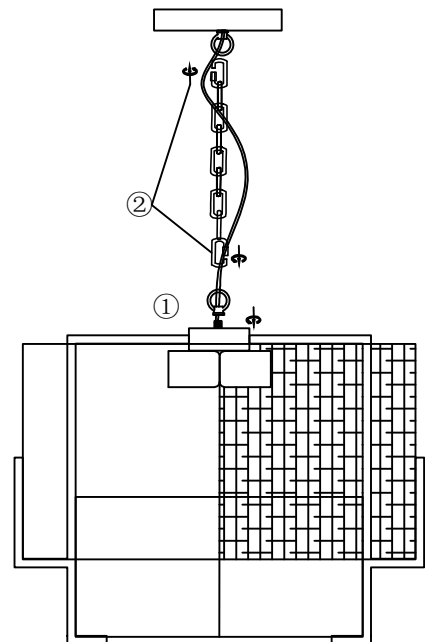
- 2 Fix all lamp arm into the drum box by hexagonal nut and washer.



- 3 Put 2 shade to the lamp body in the right place.

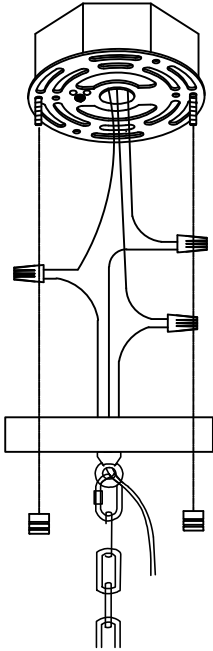


- 4 ① Install the loop to the thread of shade and put the wire through the hanging chain.
② Adjust the hanging wire and chain to suitable length. Install the quick link to the loop.



Installation

- 5 Connect the wire by connector, and fix the canopy to the mounting plate by ball nut.



- 6 ① Install the E12 bulb.
② Place the diffuser into the bottom of the shade.

