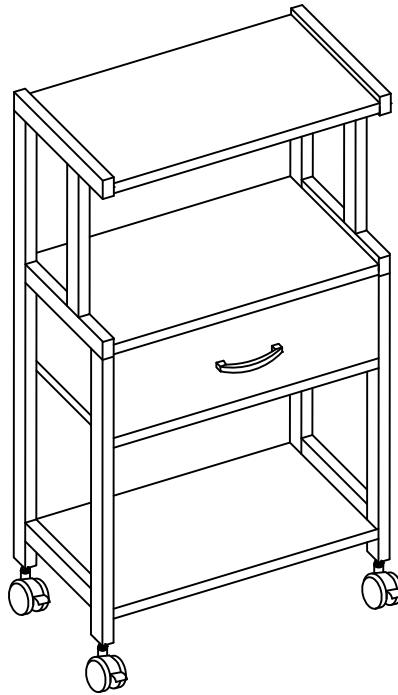
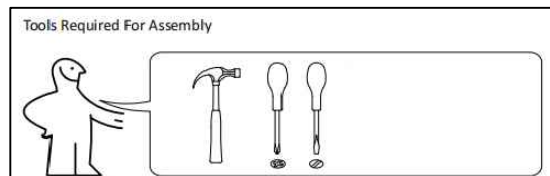
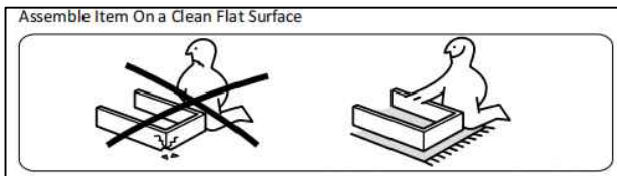







Instruction Manual





DEAR CUSTOMER,
 Thank you for choosing our product. Please read this manual carefully before assembling. If the product is passed on to the third party, this manual has to be passed on along with the product. Enjoy your new purchase!



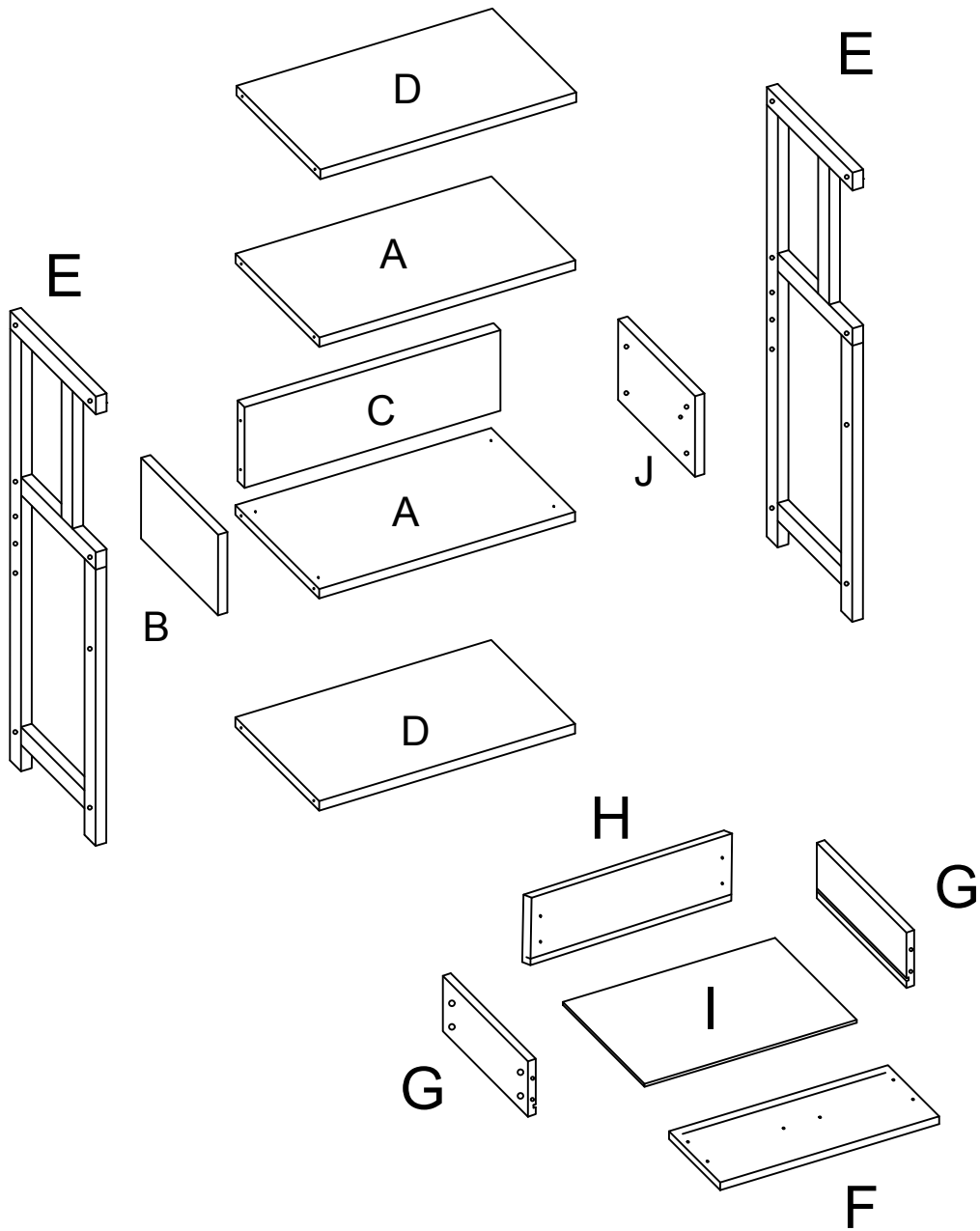
HARDWARE LIST

| | | | | |
|---|---|---|--|--|
| 1  ×16pcs | 2  ×16pcs | 3  ×20pcs | 4  ×1pc | 5  ×2pcs |
|---|---|---|--|--|

| | | | | |
|--|--|---|---|----|
| 6  ×2pc | 7  ×4pc | 8 | 9 | 10 |
|--|--|---|---|----|

PARTS LIST

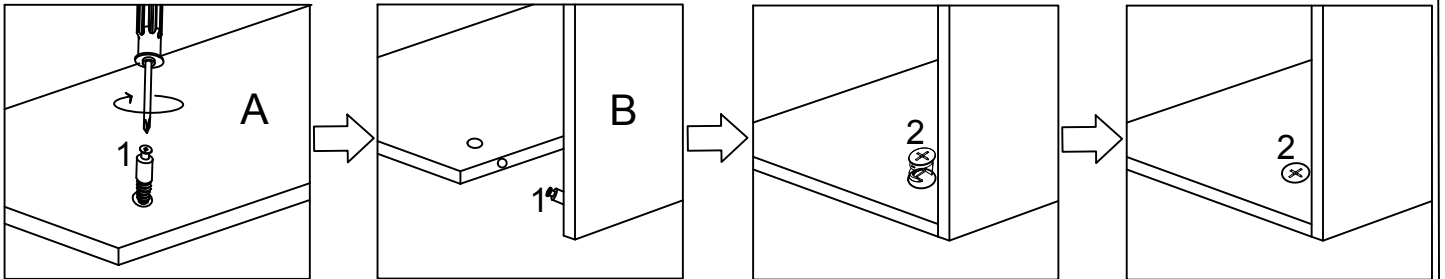
Note: there will be some error in the measurement, the actual size shall prevail.



NOTE

- Please check that you have all the parts and hardware listed before assembling.
- Please do not tighten all bolts until the table is assembled completely.
- If you find that something is missing, please contact the store you purchase immediately.
- At least every 4 months, check all bolts, screws and knobs to be sure they are tight.

Screws Installation Steps



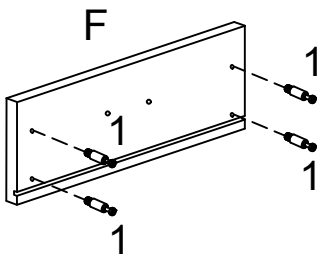
Screw the eccentric screw onto the board.

Find the corresponding board to insert.

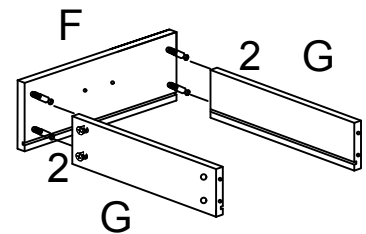
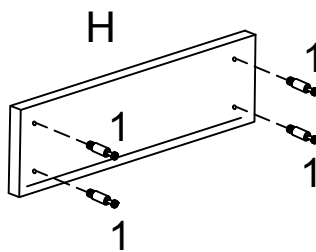
Insert eccentric bolt into round hole.

Turn clockwise about 180° to lock the board.

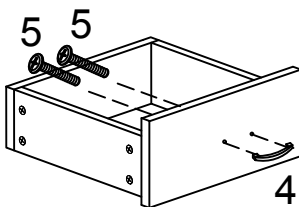
Step:1 (Installing drawer)



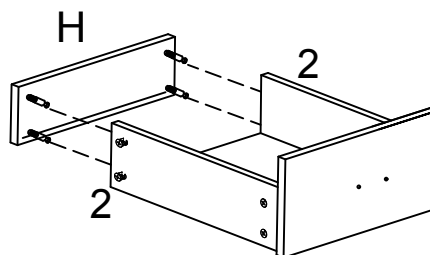
Fix the fittings on panel.



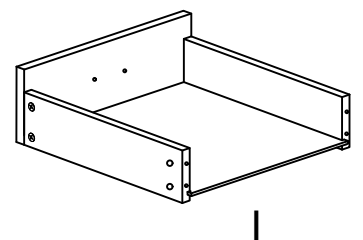
Connect left and right side panels to drawer panels.



Install drawer handles.

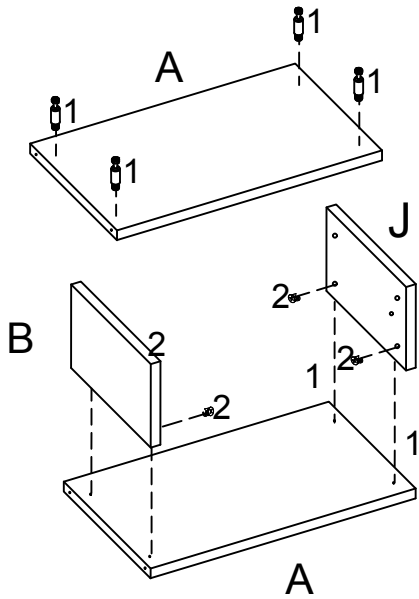


Install drawer back plates.



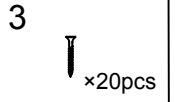
Install drawer bottom plates.

Step:2

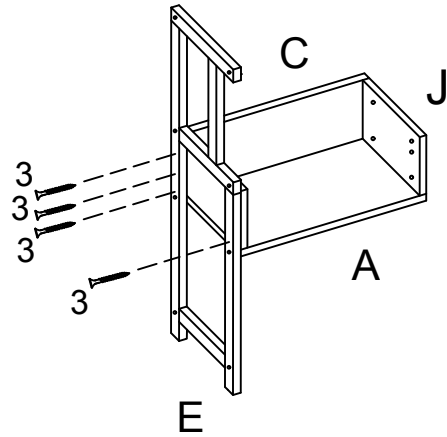


Install panel through fitting 1 and 2.

Step:3

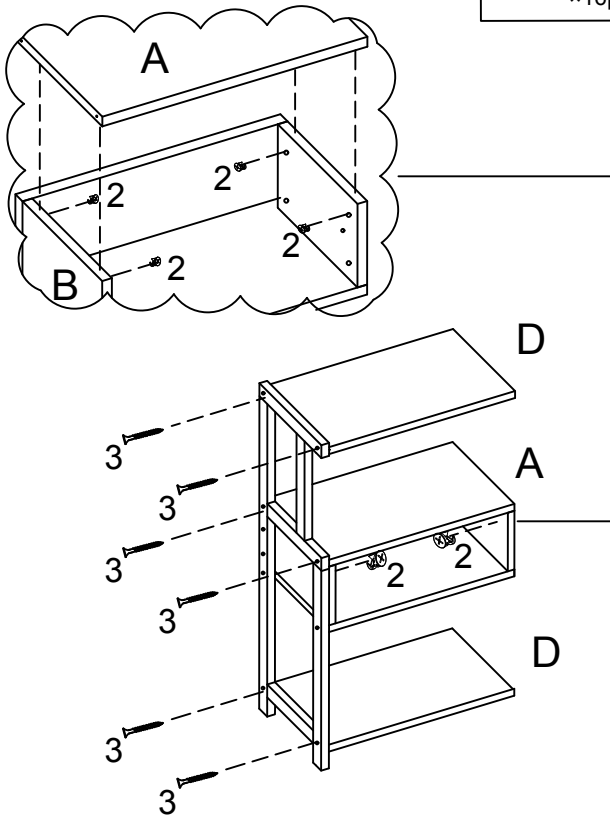
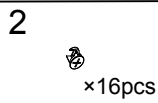


It is recommended that the product be installed flat.



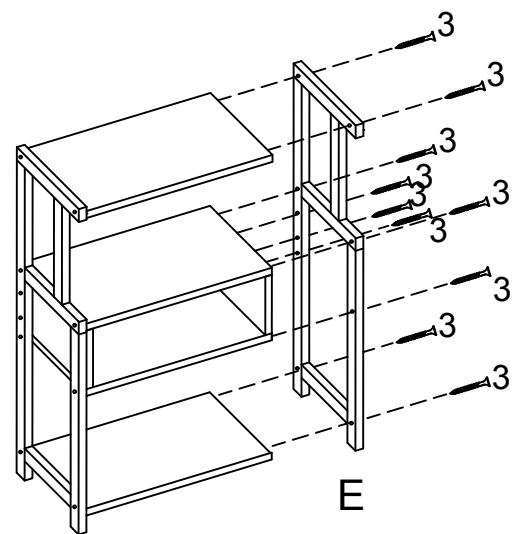
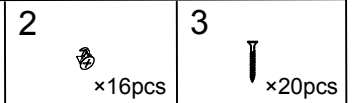
Install square tube and panel through fitting 3.

Step:4



Install square tube and panel through fitting 3.

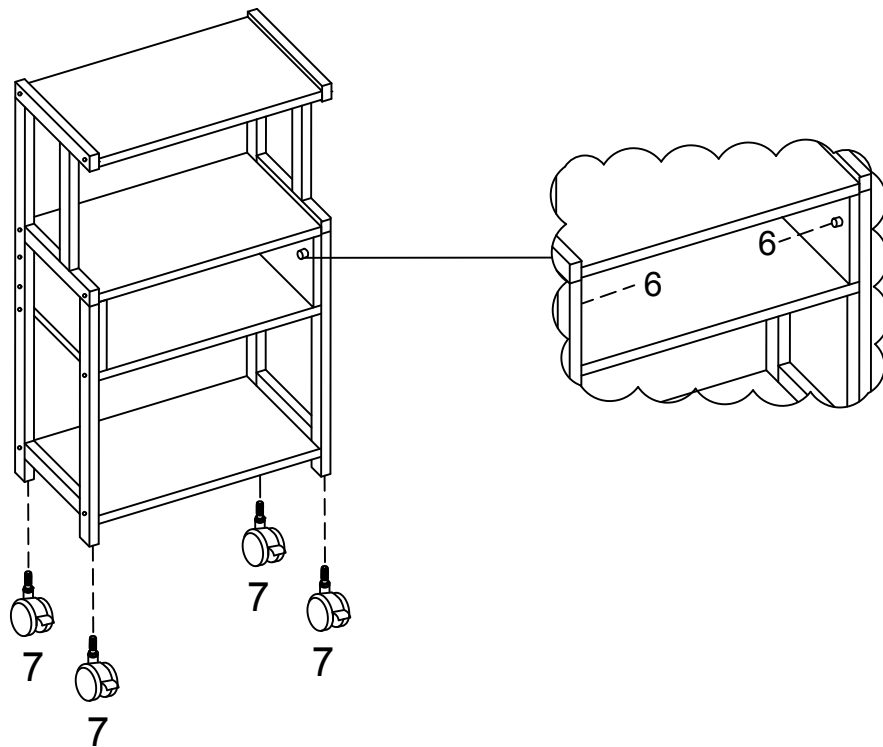
Step:5



Install square tube and panel through fitting 3.

Step:6

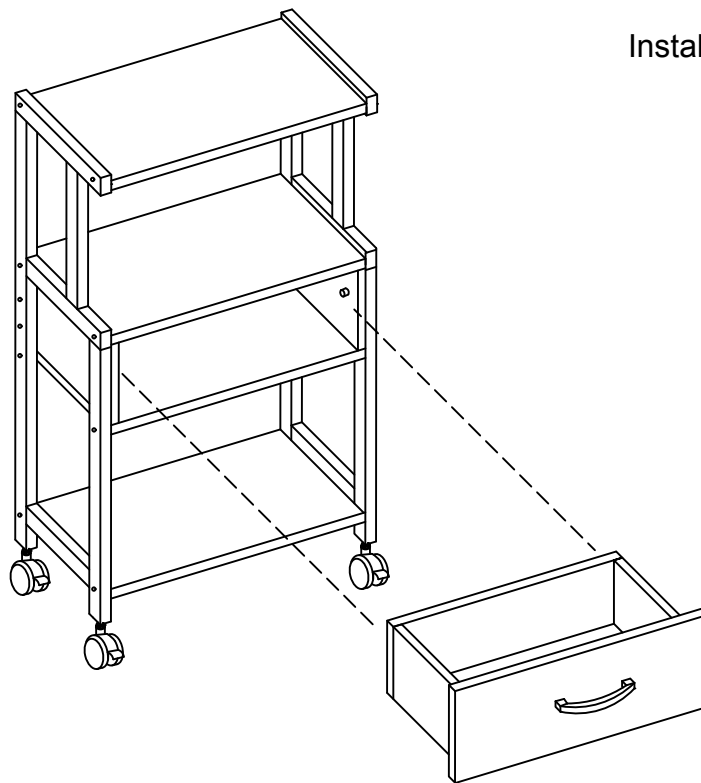
| | | | |
|---|---|---|---|
| 6 |  | 7 |  |
| | ×2pcs | | ×4pcs |



Install fitting 6,7.

Step:7

Installation Complete !



Install the drawer well.