

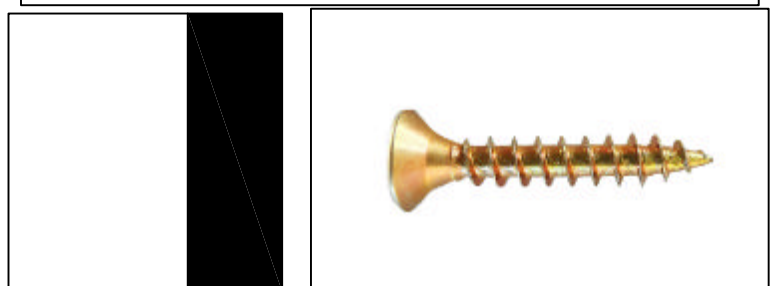
Installation wall requirements

Solid brick wall, load-bearing wall, fired hollow brick wall, wood board wall thickened insulation wall! It is not recommended to install gypsum board walls and thin plywood walls...!

1. For solid brick walls, load-bearing walls, and fired hollow brick walls, we are equipped with 10mm wall fittings



2. If it is a wooden wall (the thickness of the wooden board needs to be at least 15 mm), you need to buy automatic screws locally.



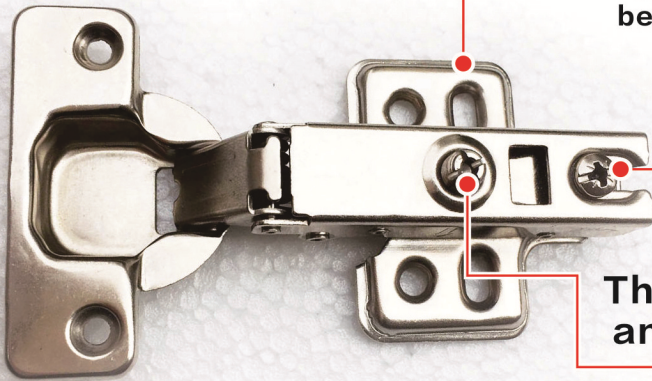
15mm

How to adjust the door hinge/hinge.

The screw is fixed here, and the distance between the upper and lower doors can be adjusted

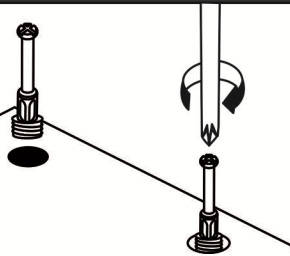
Adjust the opening and closing gap between the door panel and the side panel

This screw adjusts the upper and lower gap of the two doors



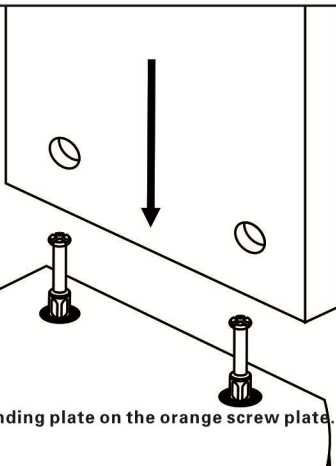
Three-in-one fastener instructions

①



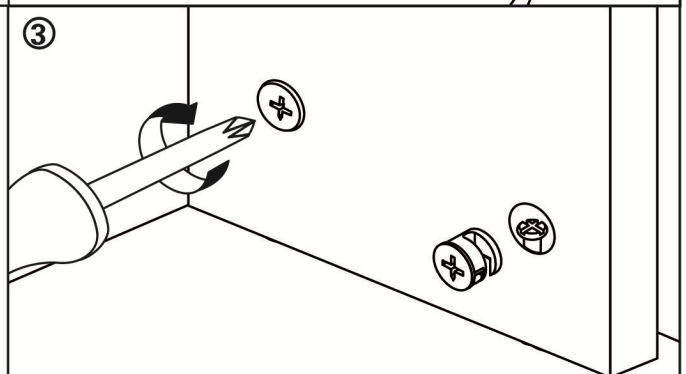
Put the screw into the corresponding hole and tighten it with a screwdriver

②



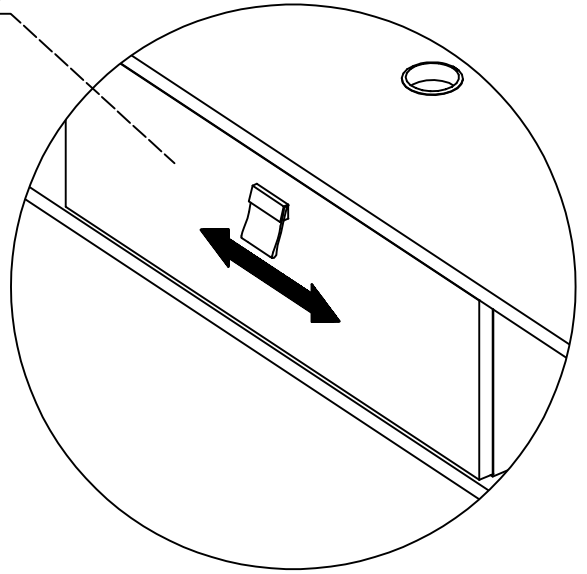
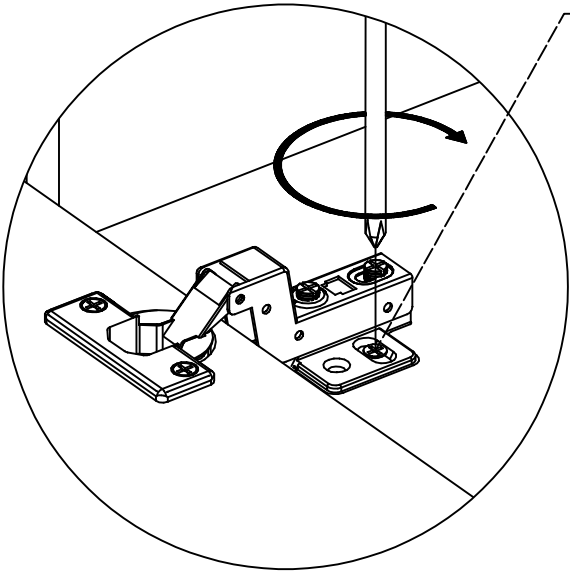
Install the corresponding plate on the orange screw plate.

③

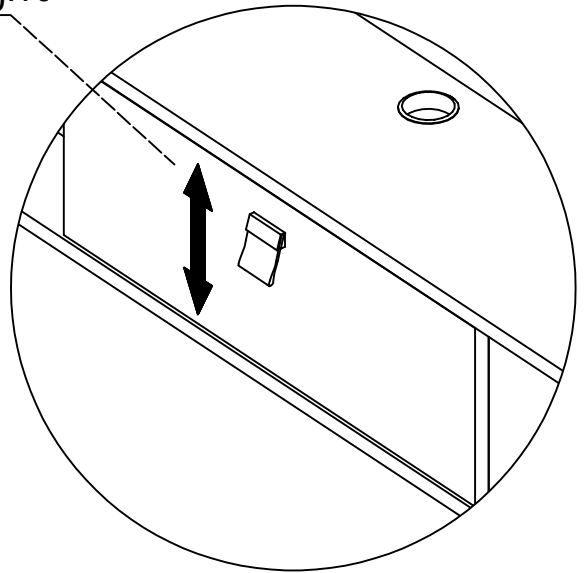
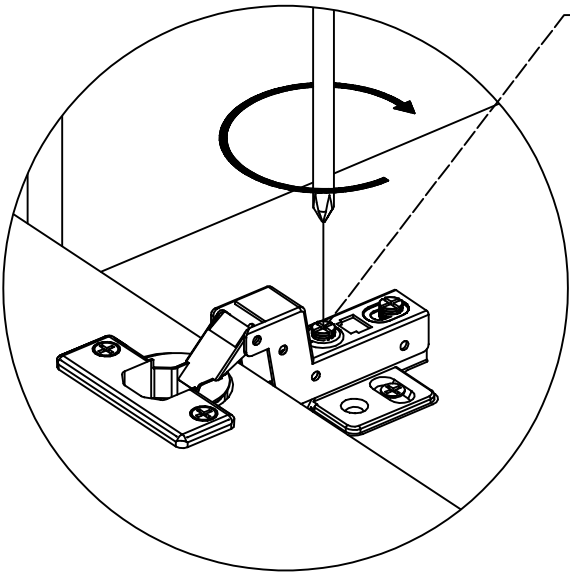


Put the screw buckle into the hole of the corresponding screw and tighten it with a screwdriver.

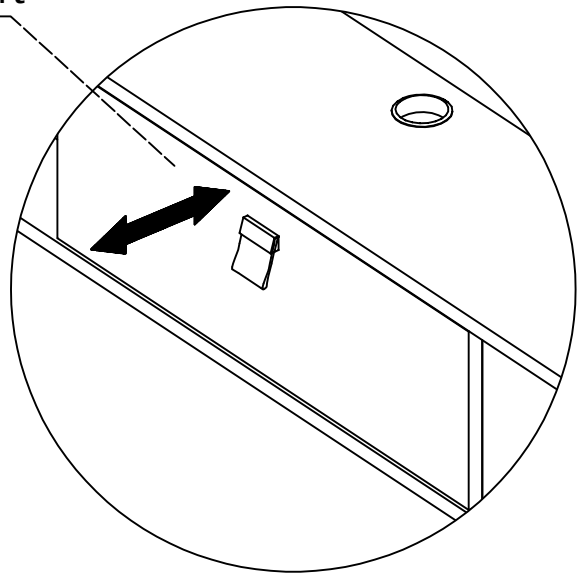
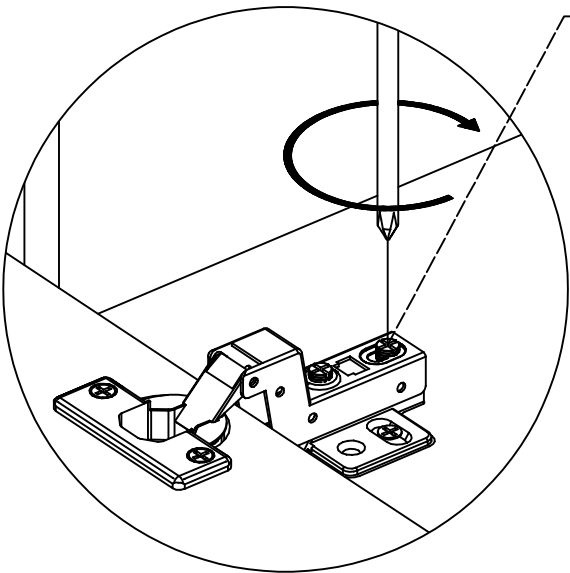
Adjust left

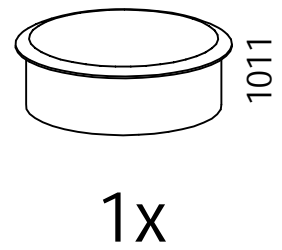
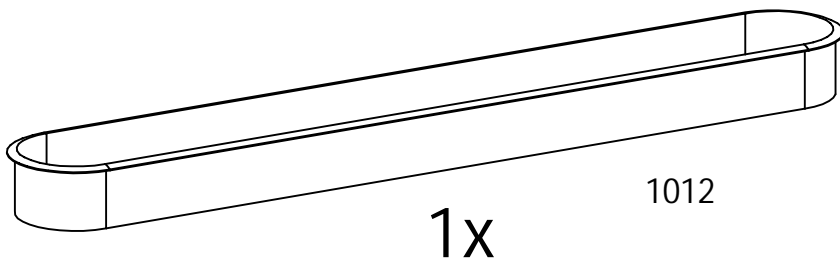
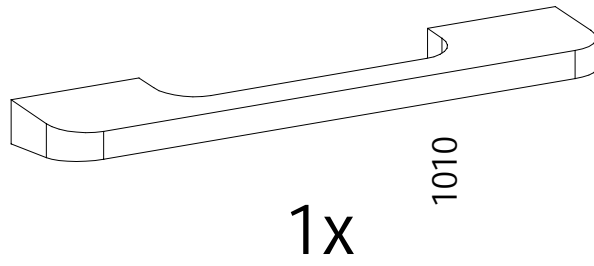
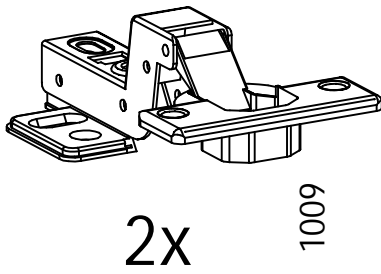
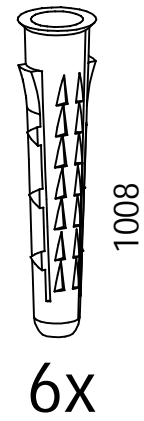
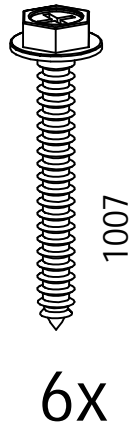
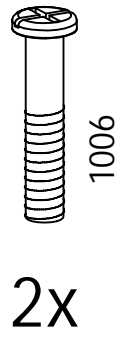
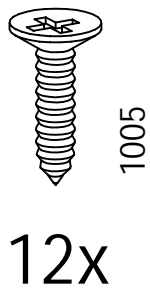
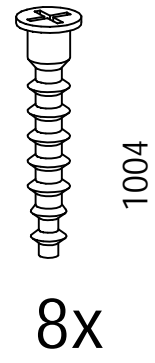
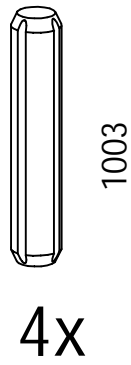
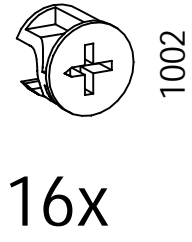
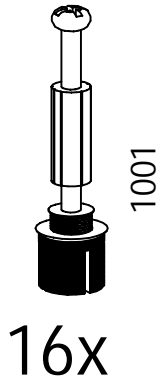


Adjust Height

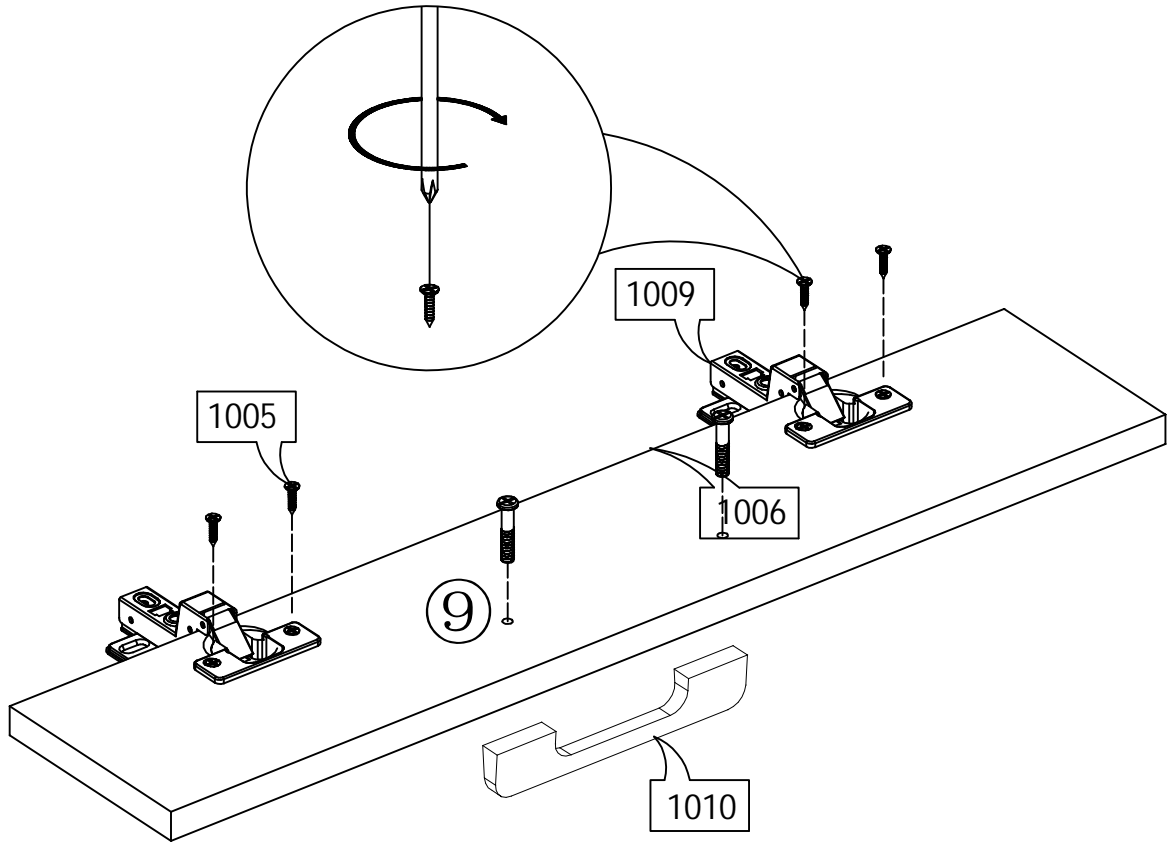


Adjust front

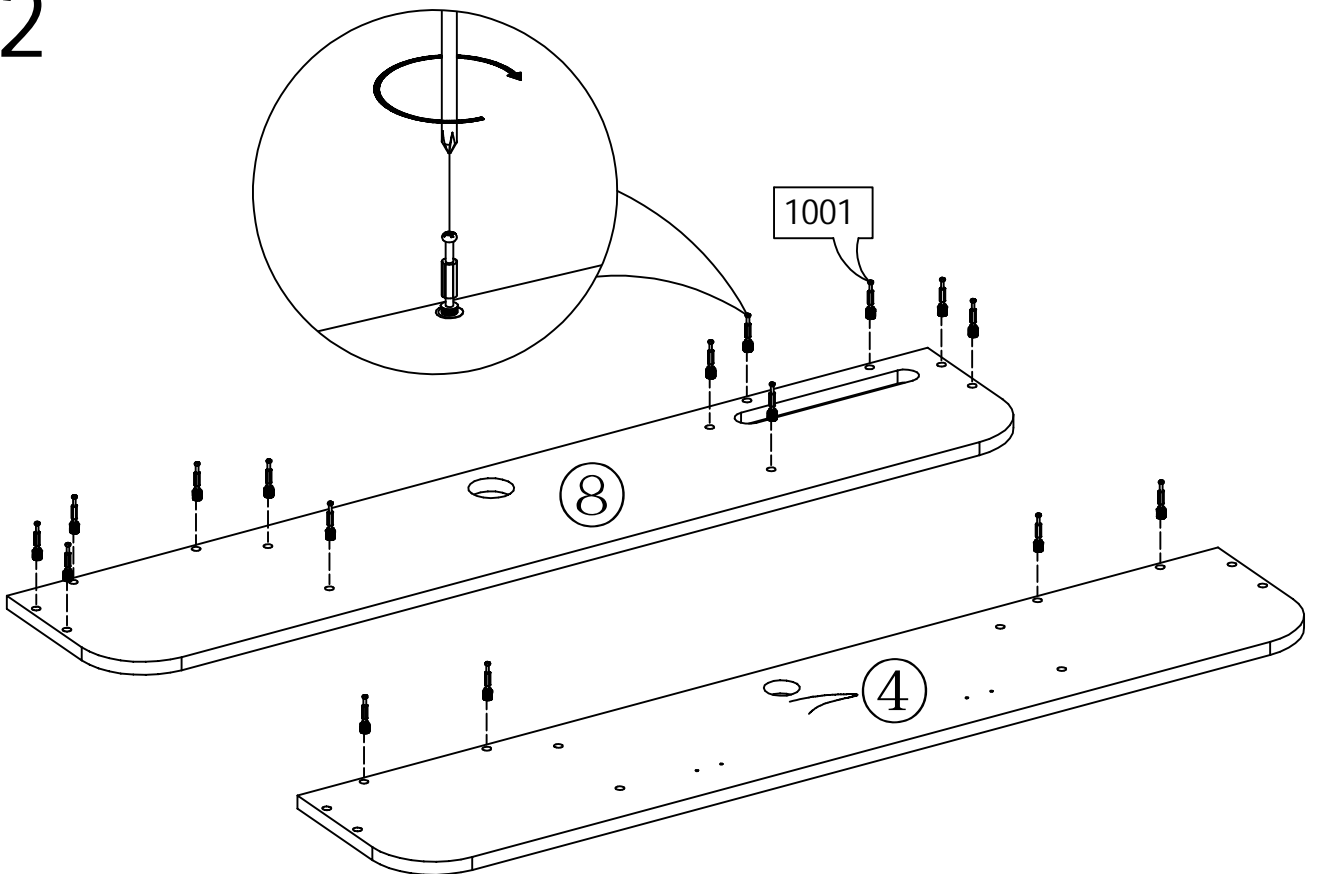




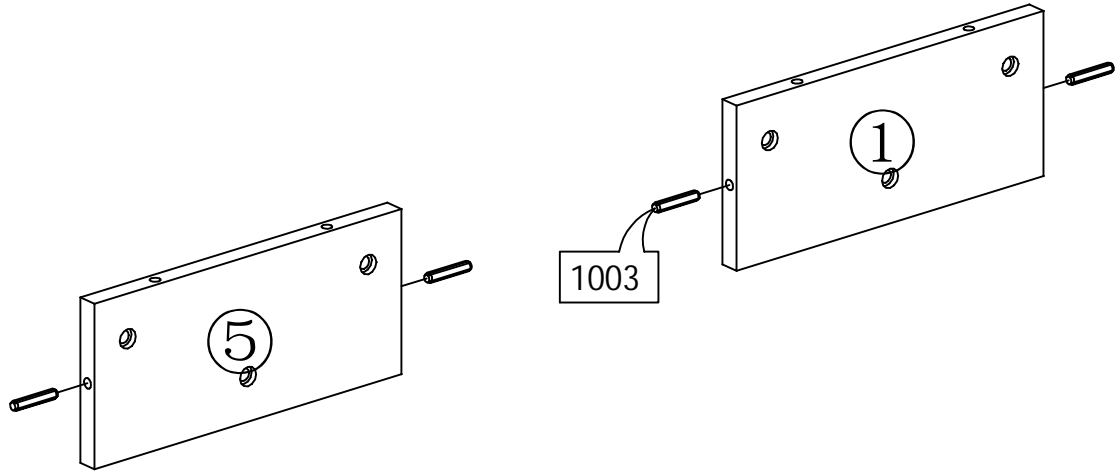
1



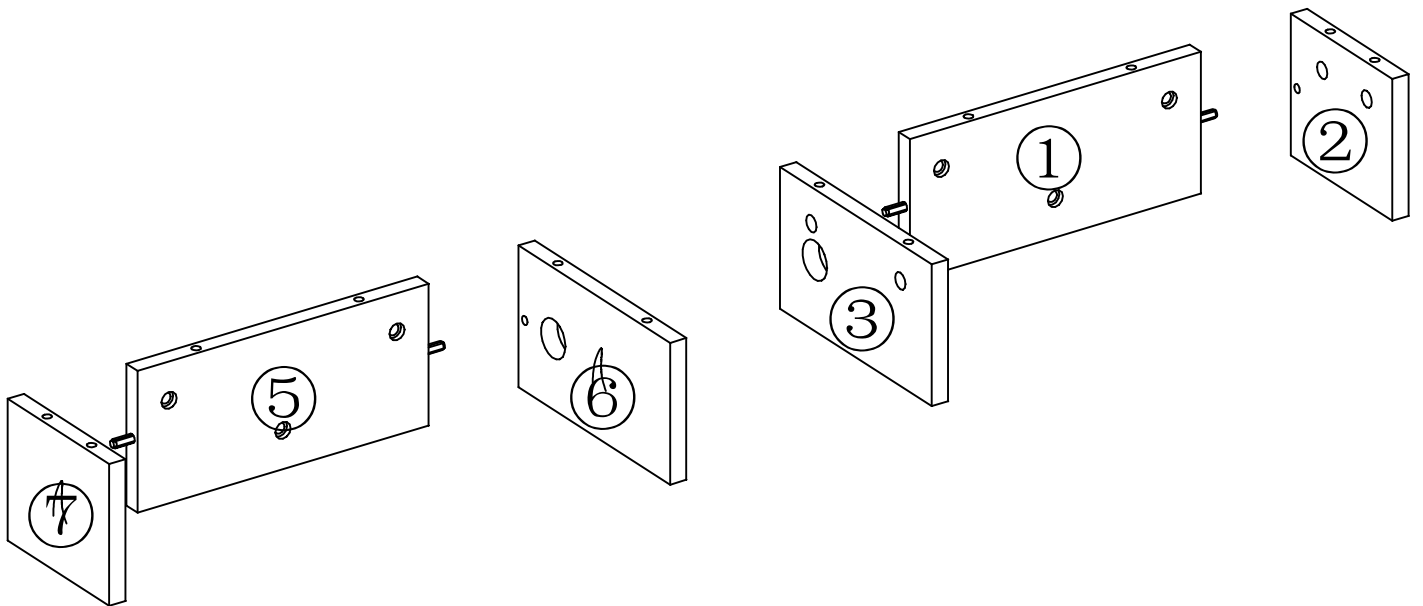
2



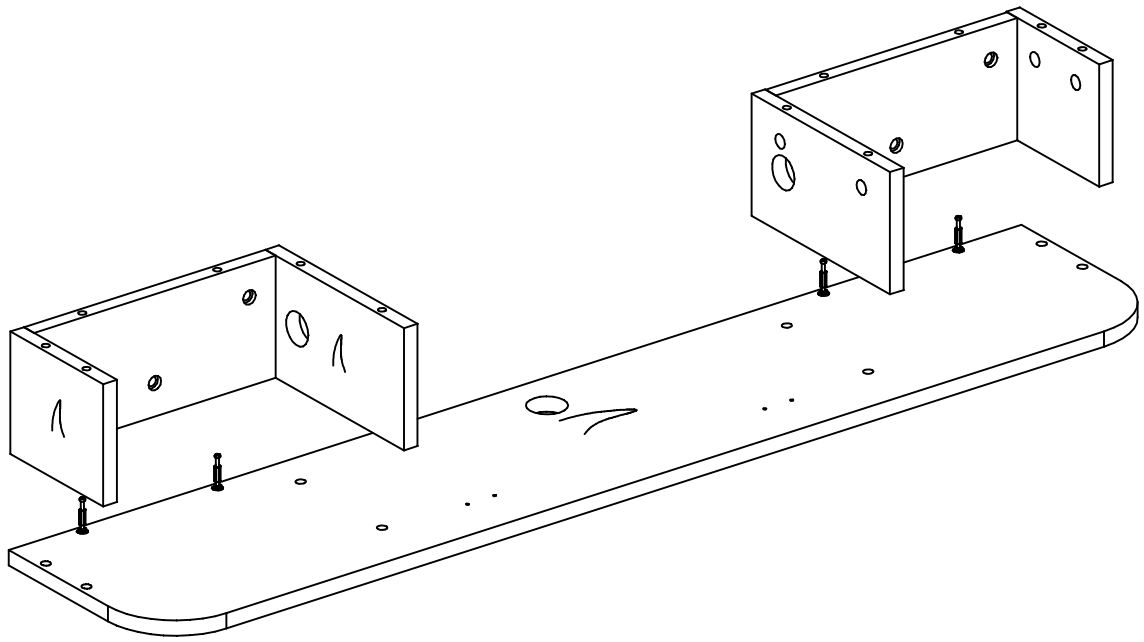
3



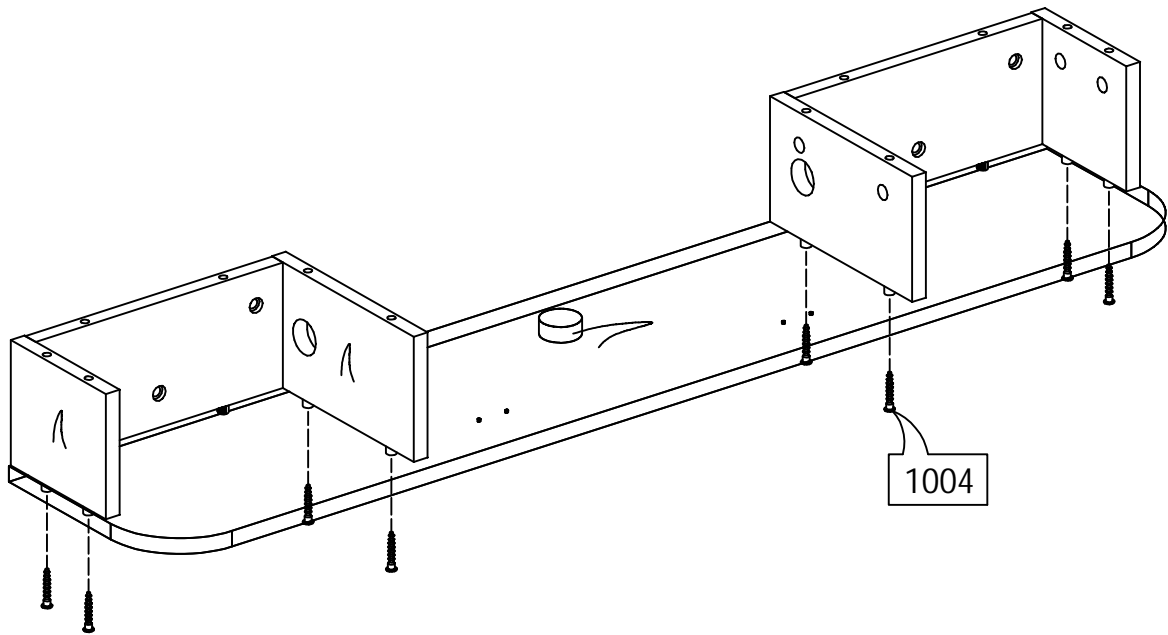
4



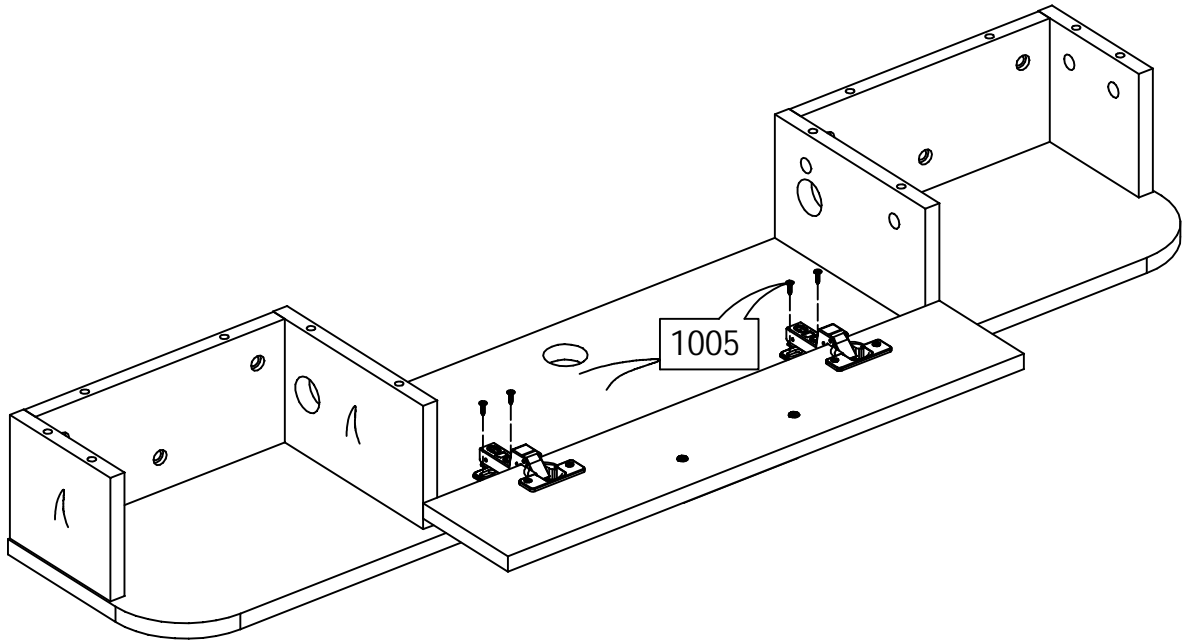
5



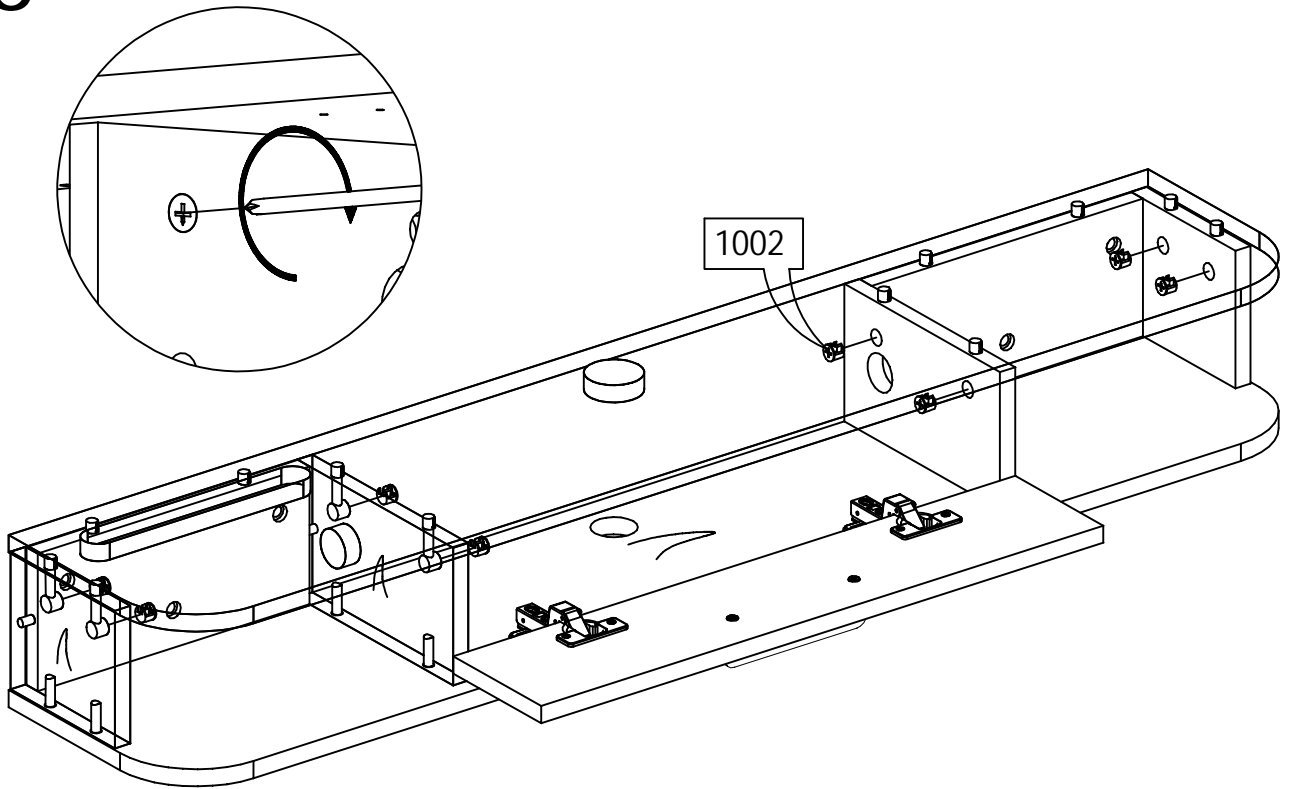
6



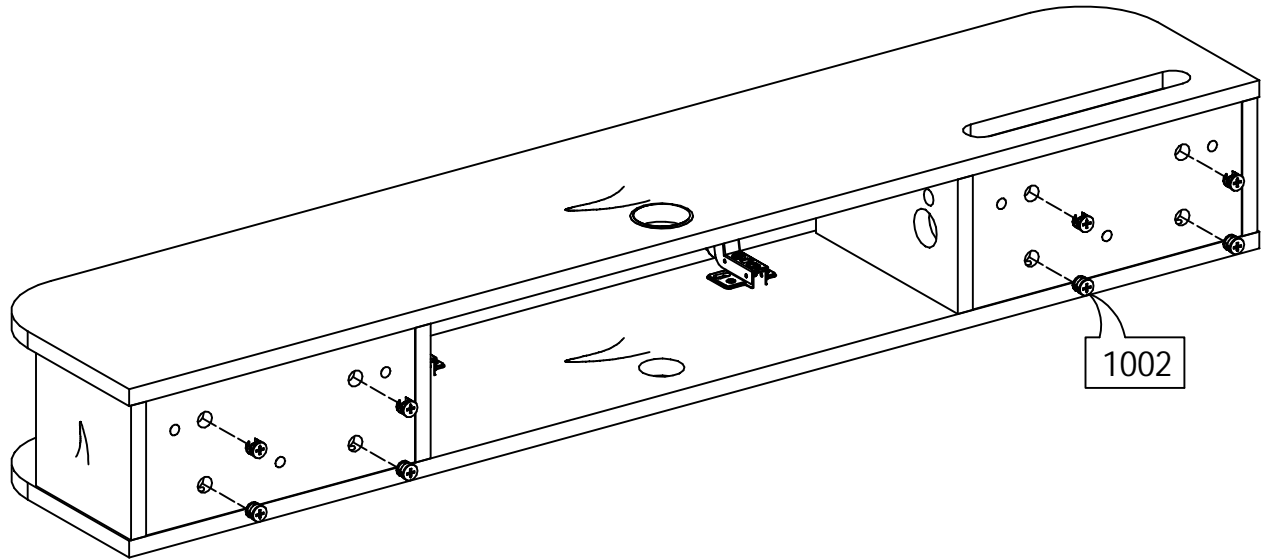
7



8

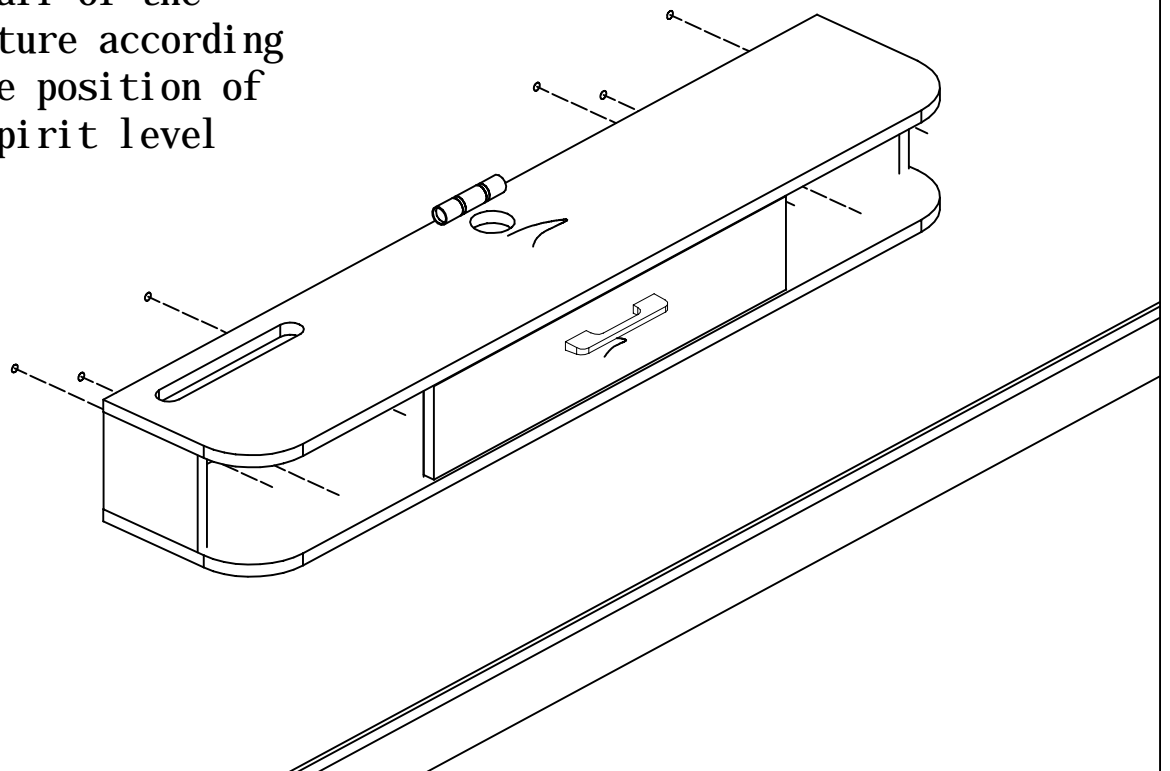


9



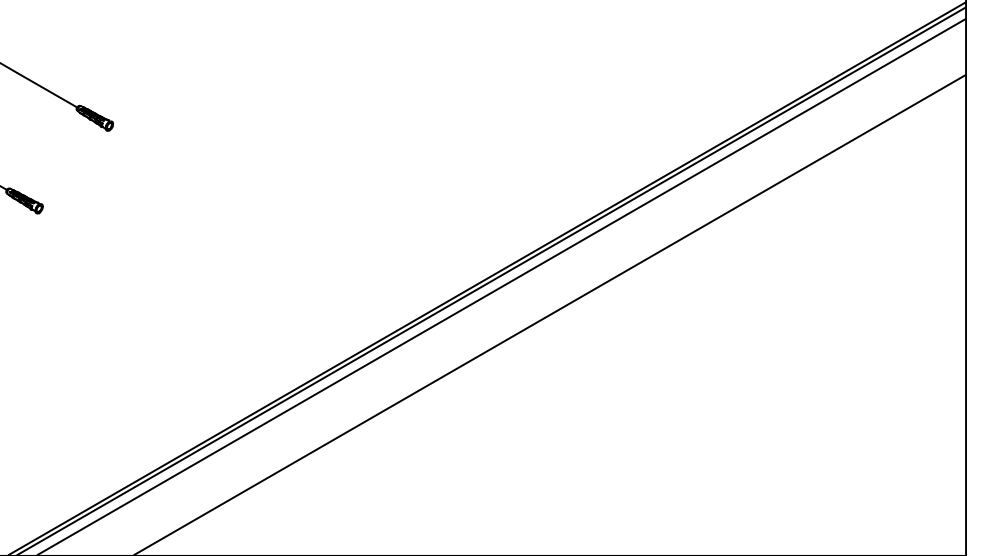
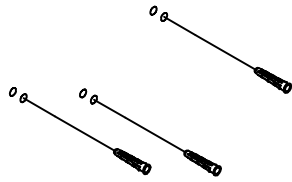
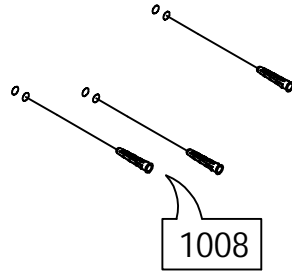
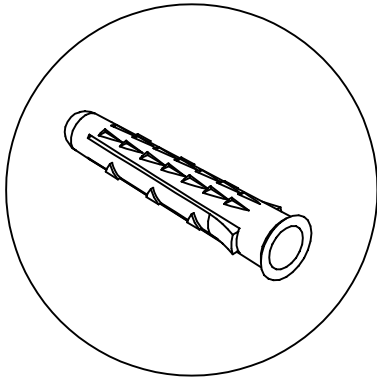
10

Locate the hole on the wall of the furniture according to the position of the spirit level

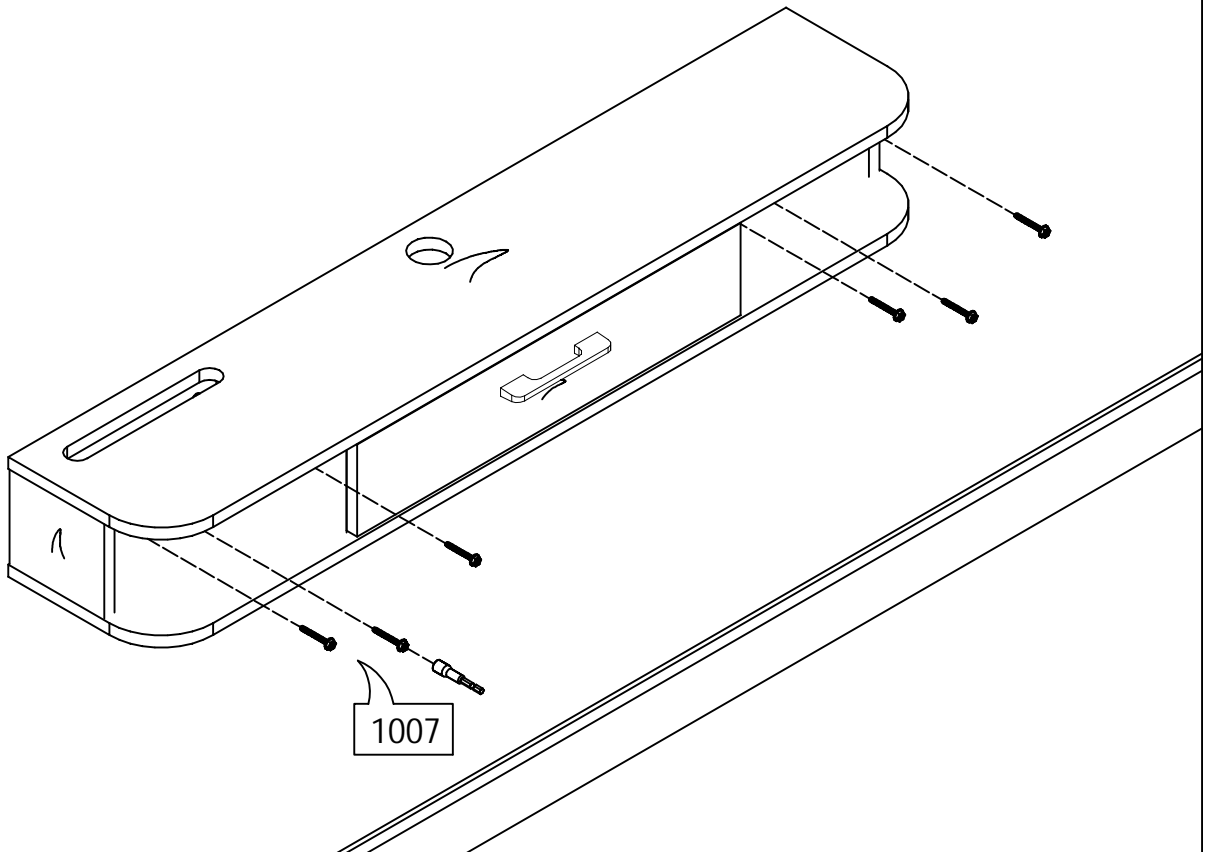


11

Make 10mm expansion holes on the wall



12



13

