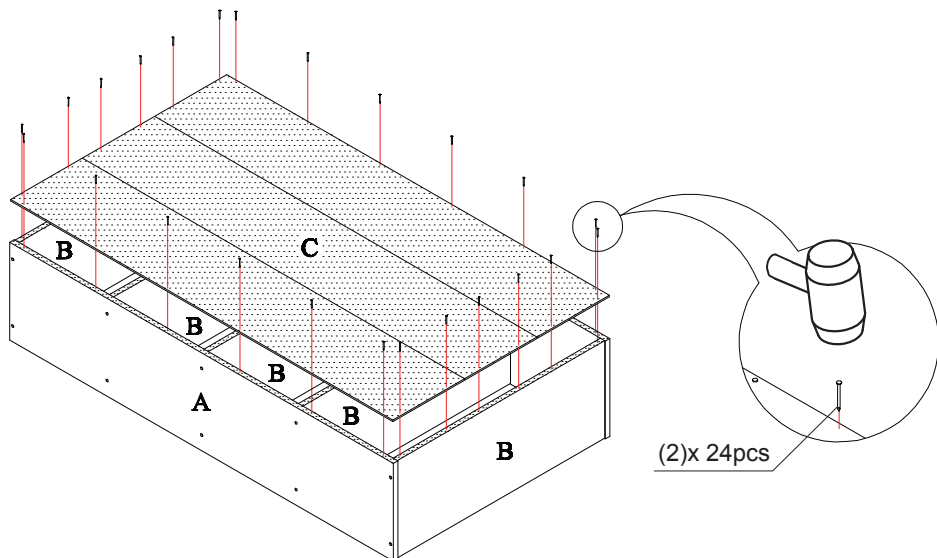
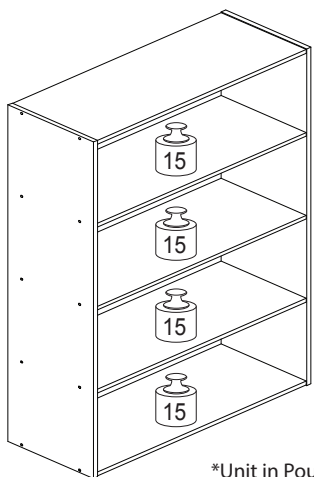


STEP 2

Attach Back Panel (C) to assembled unit using Power Pin(2).



Recommended Maximum Weight



WARNING:

>This unit has been designed to support the maximum loads shown. Exceeding these load limits could cause sagging, instability, product collapse, and/or serious injury.

>DO NOT allow children to climb on unit.

>Put heavier items on lower shelves.

Assembly Instruction

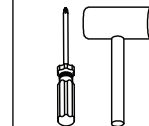
4 Tier Open Shelf

00:30

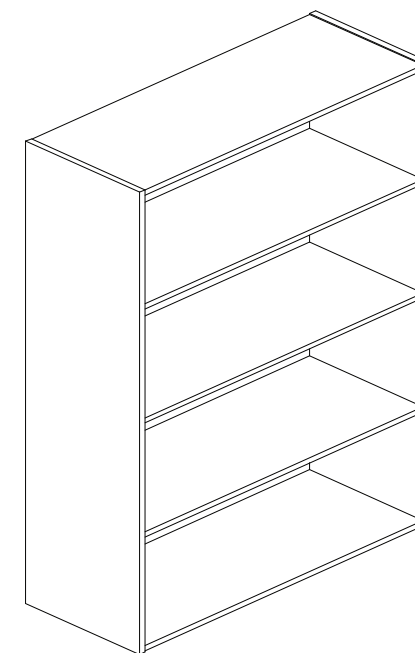
Approx. 30 minutes

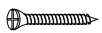



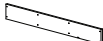


Recomm. 2 Person

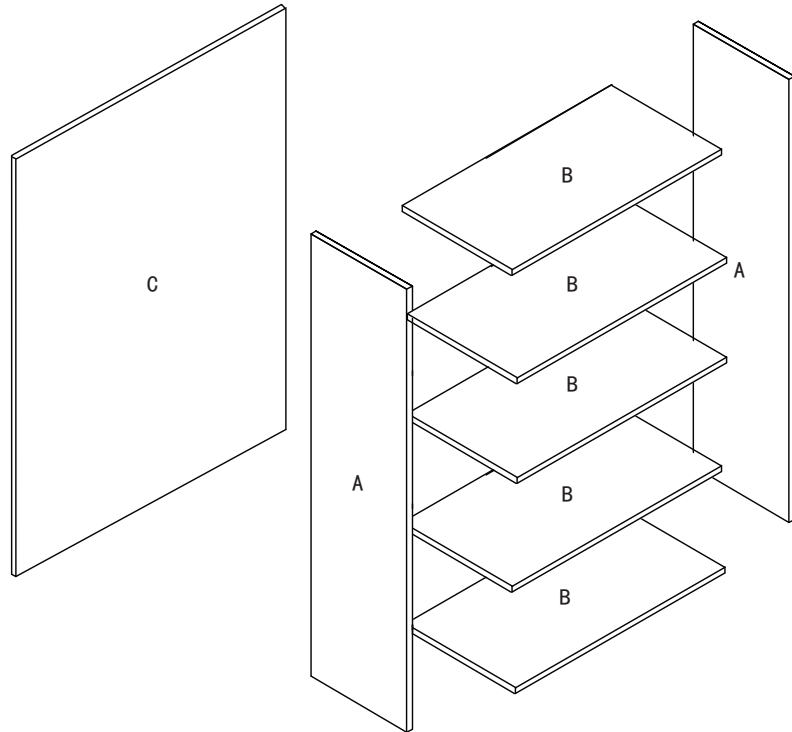


Tool Required



| No | Hardware List | Qty |
|----|---|-------|
| 1 | Chipboard Screw  | 20pcs |
| 2 | Power Pin  | 24pcs |

| No | Parts List | Qty |
|----|--|------|
| A | L/R Side Panel  | 2pcs |
| B | Shelf Panel  | 5pcs |
| C | Back Panel  | 1pcs |



USEFUL HINTS BEFORE YOU START:

1. Read each step carefully before starting.
2. It is important that each step is performed in correct order to avoid difficulties.
3. Identify, sort and count the parts before assembly.
4. Assemble your furniture on packaging cardboard to prevent scratch or damage.
5. Clean the product with mild cleanser using soft damped cloth. Do not use harsh or abrasive cleanser.
6. Using incompatible hardware might cause damage to product.

STEP 1

- 1.1 Attach Left Side Panel (A) with Shelf Panel (B) using Screw (1).
- 1.2 Attach Right Side Panel (A) with completed unit in Step 1.1 using Screw (1).

