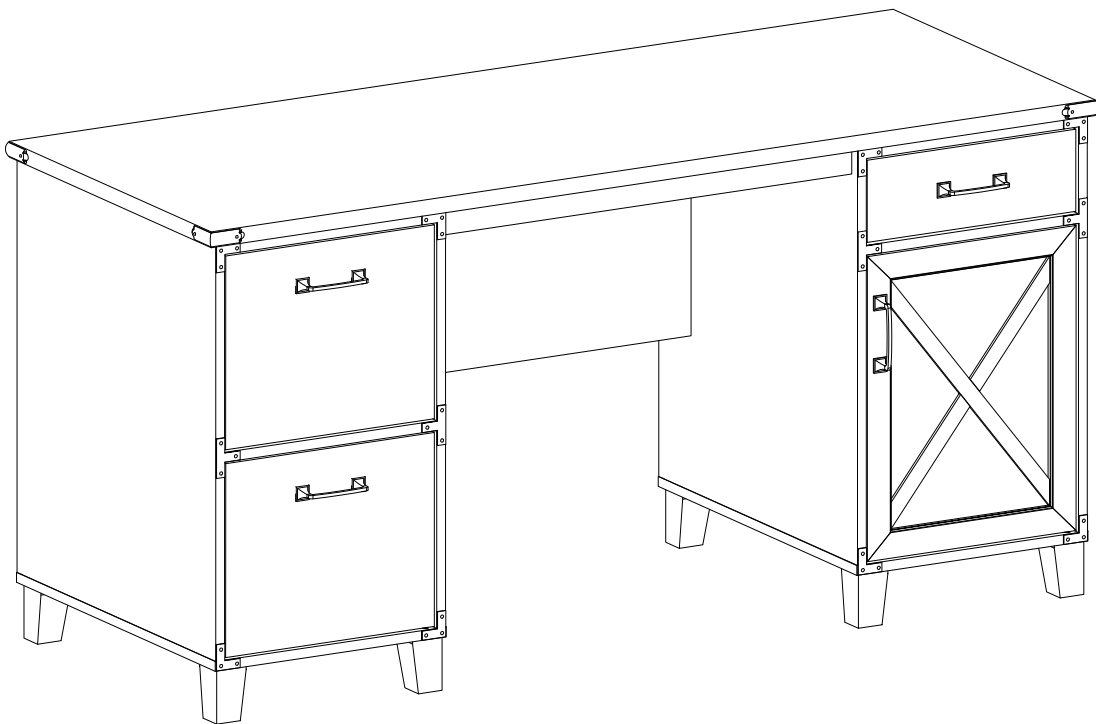


ASSEMBLY INSTRUCTIONS

Important Safety Instructions:

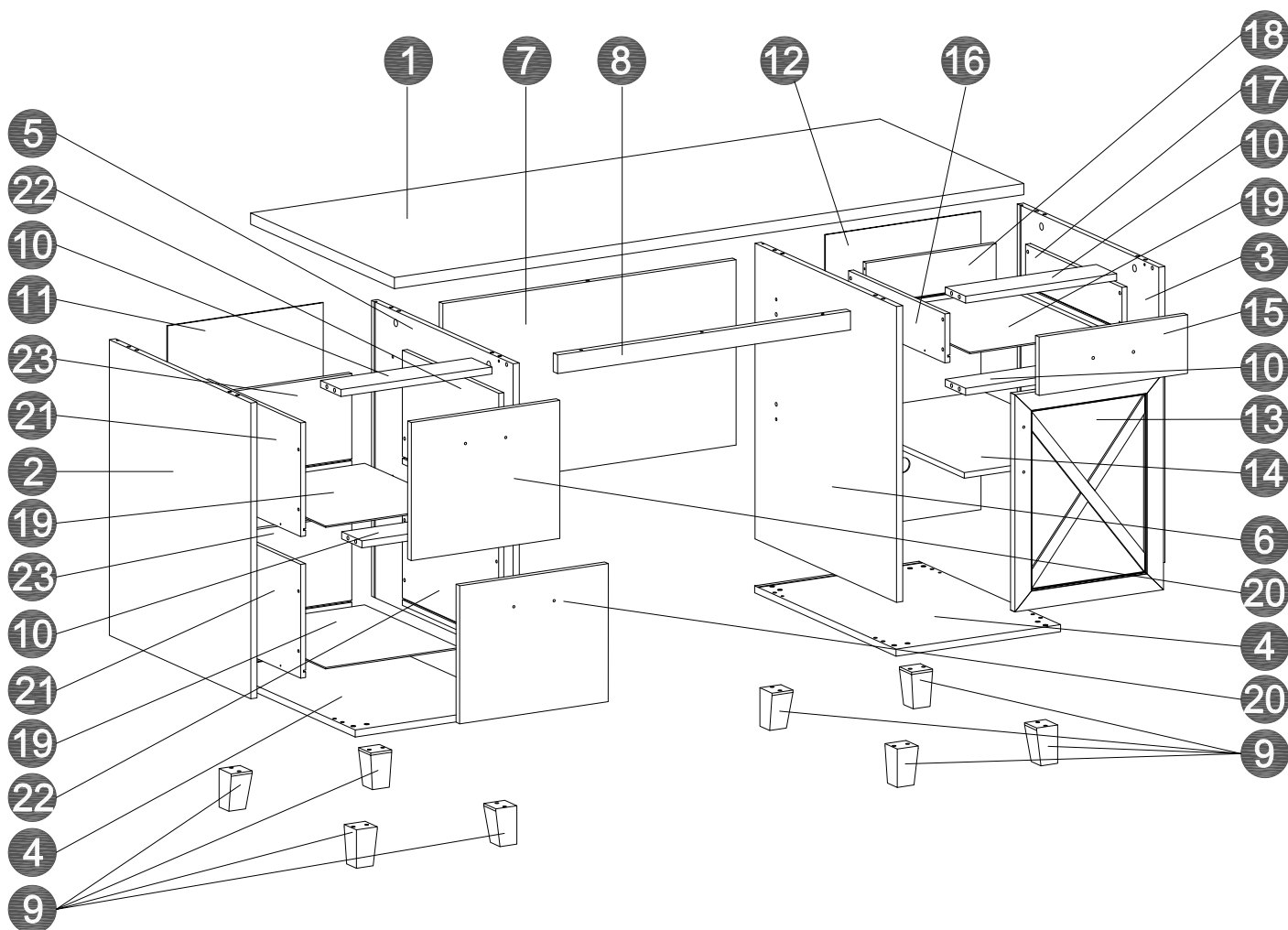
- Please read all instructions before beginning assembly
- Please make sure receive all the parcels to start the assembly
- For your safety and convenience, assembly by two people is recommended
- Use the parts and hardware lists to identify and separate each of the components included
- Save all packing materials until assembly is completed to avoid the accidental discarding of smaller parts or hardware



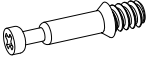


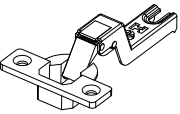
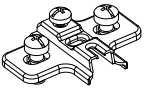

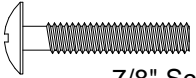
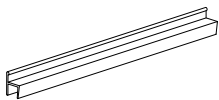
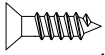
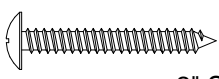
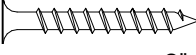

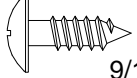
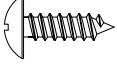

THANK YOU FOR PURCHASING

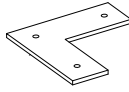
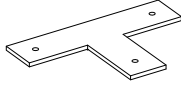

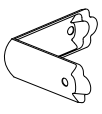
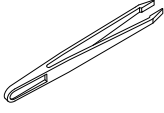
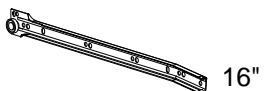
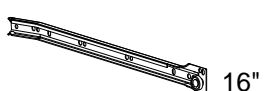
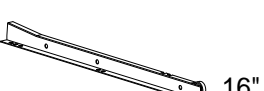
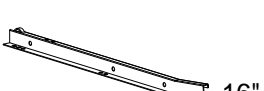
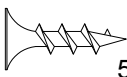
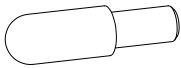
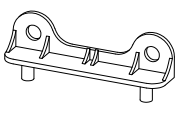
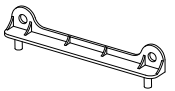
PARTS LIST

① X1	② X1	③ X1	④ X2	⑤ X1
⑥ X1	⑦ X1	⑧ X1	⑨ X8	⑩ X4
⑪ X1	⑫ X1	⑬ X1	⑭ X1	⑮ X1
⑯ X1	⑰ X1	⑱ X1	⑲ X3	⑳ X2
㉑ X2	㉒ X2	㉓ X2		



HARDWARE LIST

Name	Part	Qty.	Spare
A		17	1
B		17	1
C		28	2
D		2	
E		2	
F		4	
G	 7/8" Screw	8	1
H		4	
I	 1/2" Screw	36	4
J	 2" Screw	3	
K	 2" Screw	28	2
L	 1-1/2" Screw	12	1
M	 9/16" Screw	12	1
N	 1/2" Screw	12	1
O		36	3

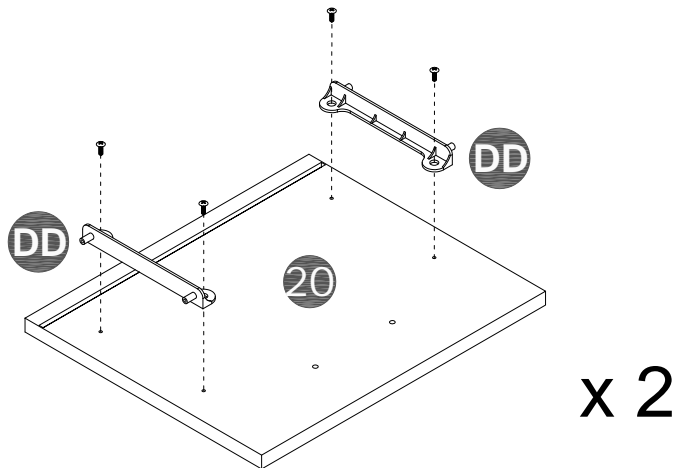
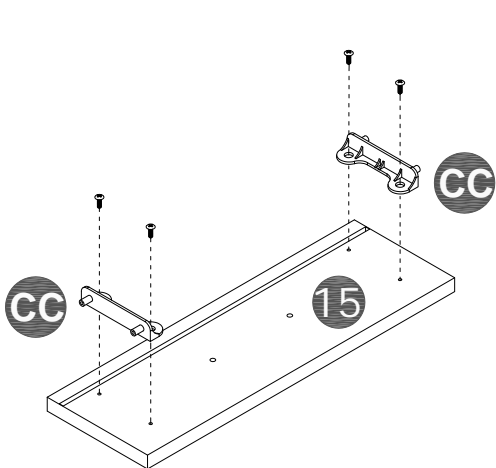
Name	Part	Qty.	Spare
P		8	
Q		4	
R	 5/6" nail	8	2
S		4	
U		1	
V	 16"	3	
W	 16"	3	
X	 16"	3	
Y	 16"	3	
Z	 5/8" Screw	4	
AA		4	
CC		2	
DD		4	

STEP 1

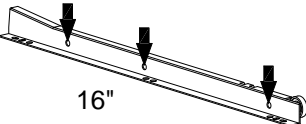
CC x 2pcs 

DD x 4pcs 

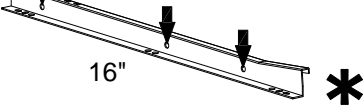
M x 12pcs 

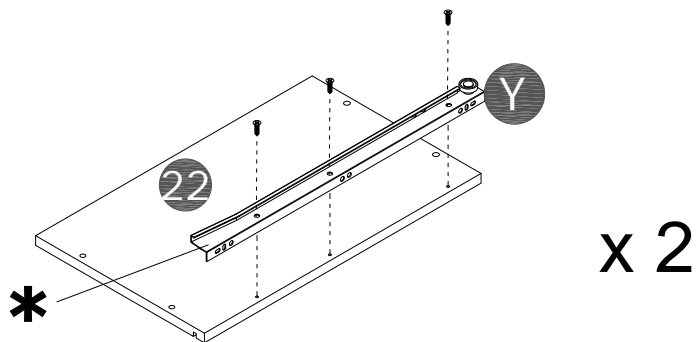
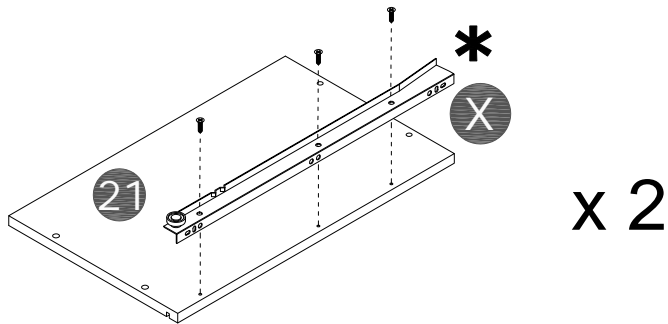
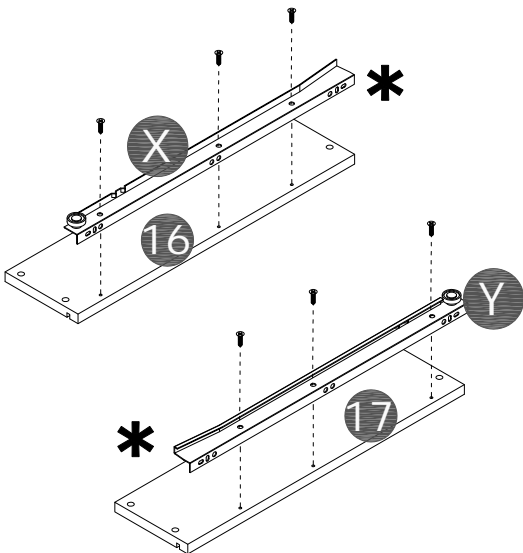


STEP 2

X x 3pcs *  16"

I x 18pcs 

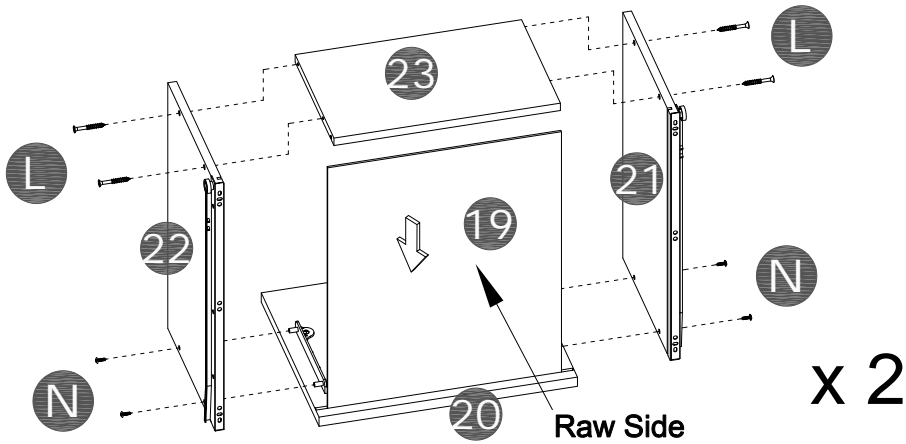
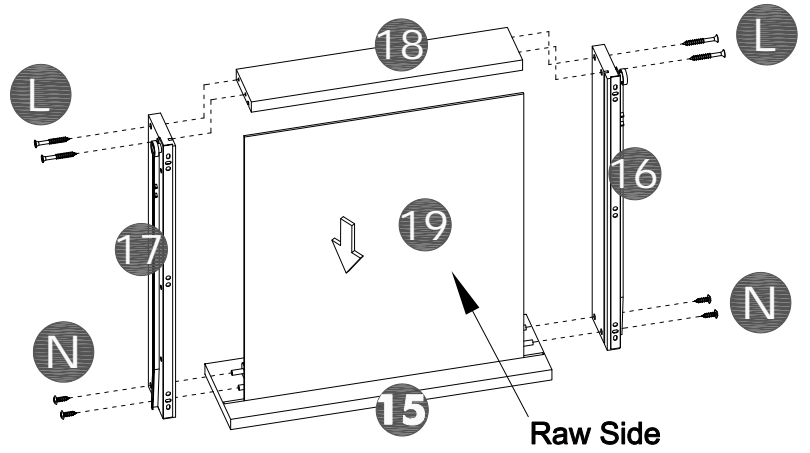
Y x 3pcs  16"



STEP 3

N x 12pcs 

L x 12pcs 

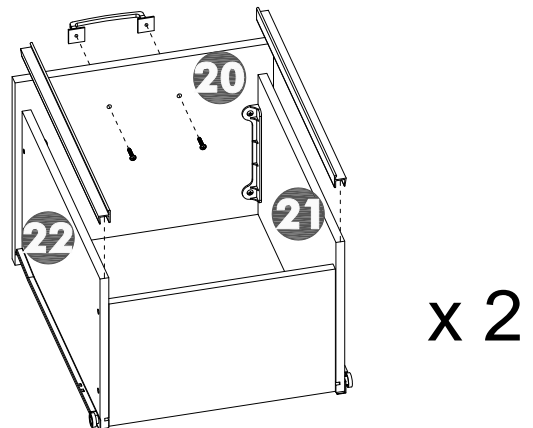
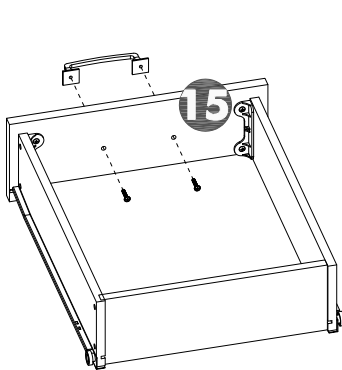


STEP 4

F x 3pcs 

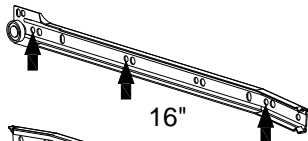
H x 4pcs 

G x 6pcs 

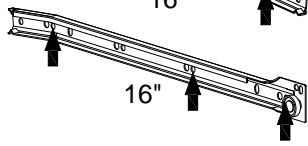


STEP 5

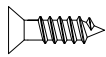
V x 3pcs



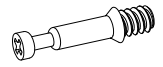
W x 3pcs



I x 18pcs



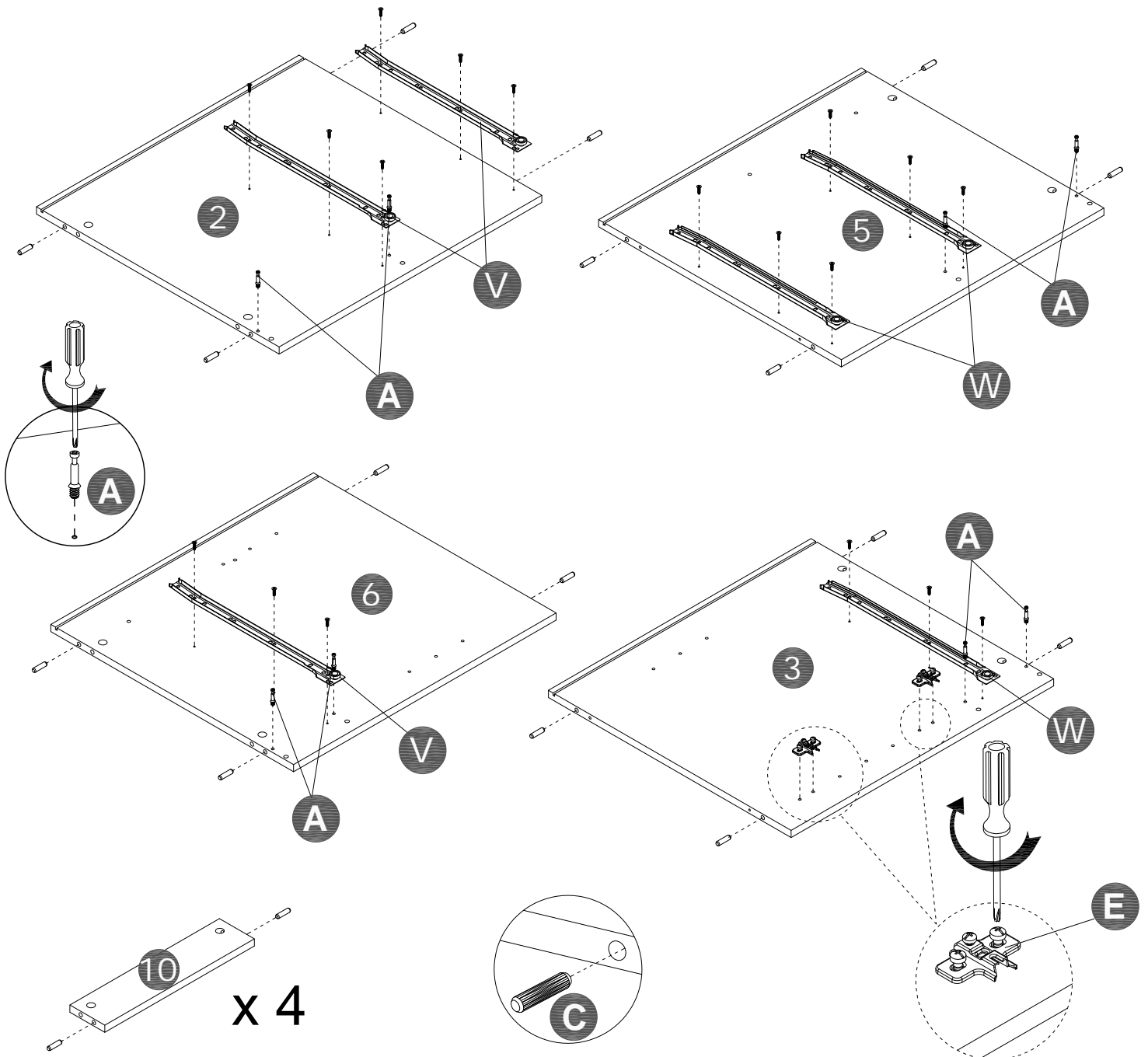
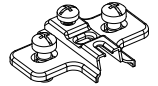
A x 8pcs



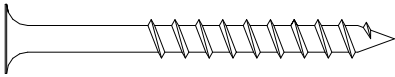
C x 24pcs

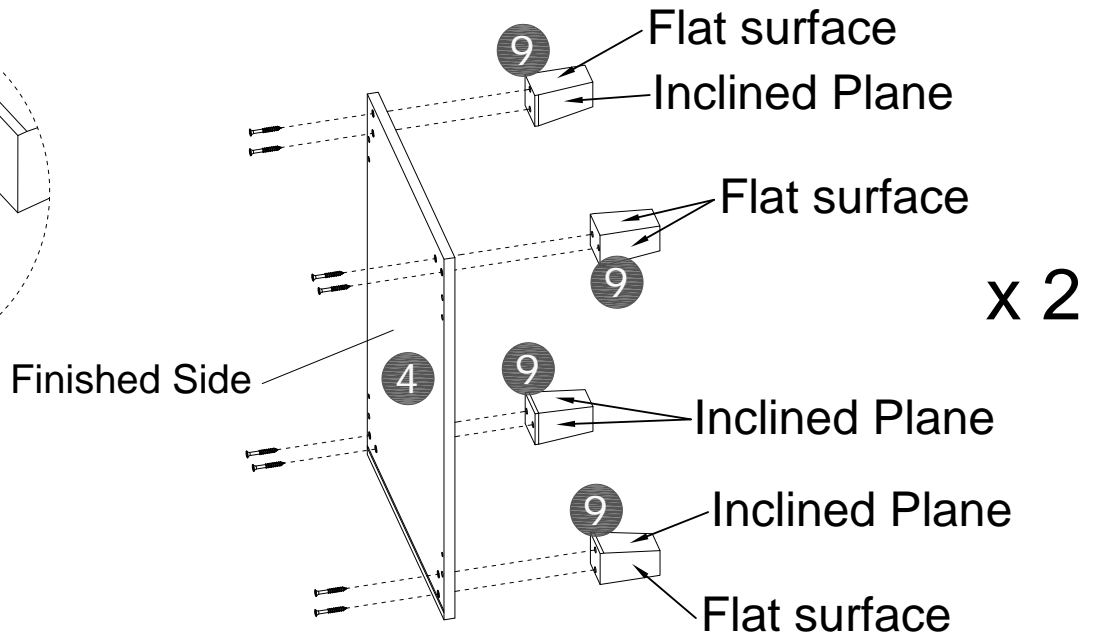
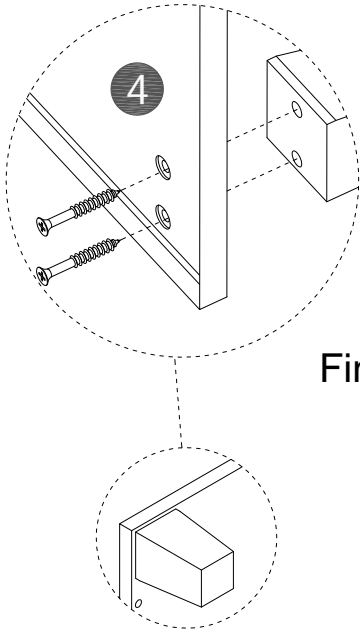


E x 2pcs




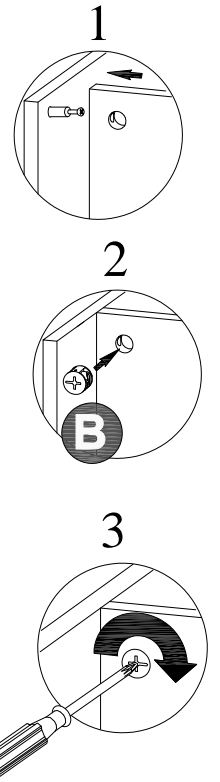
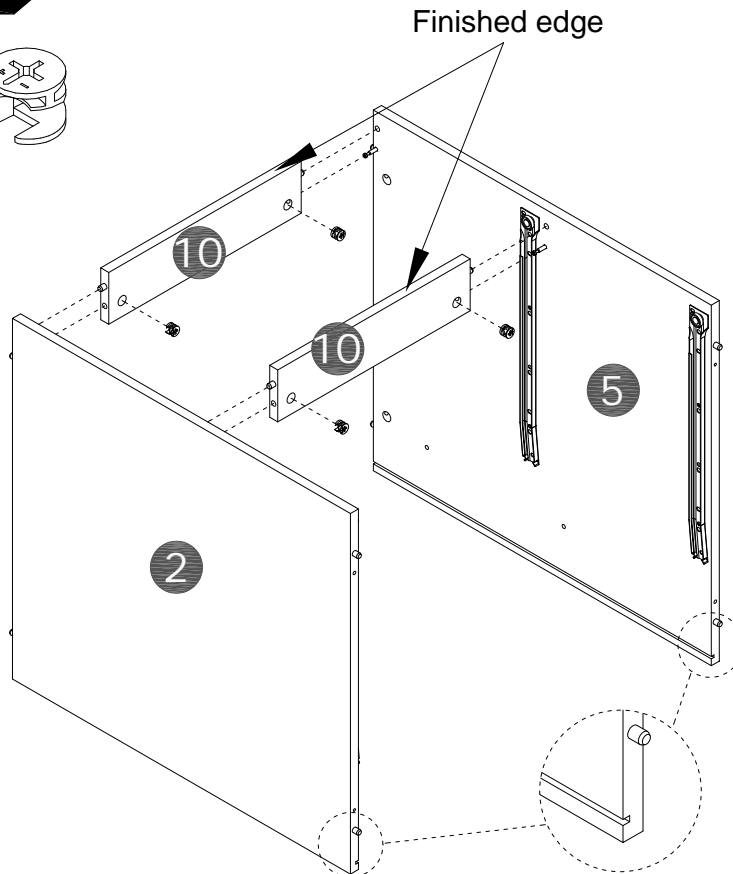
STEP 6

K x 16pcs 



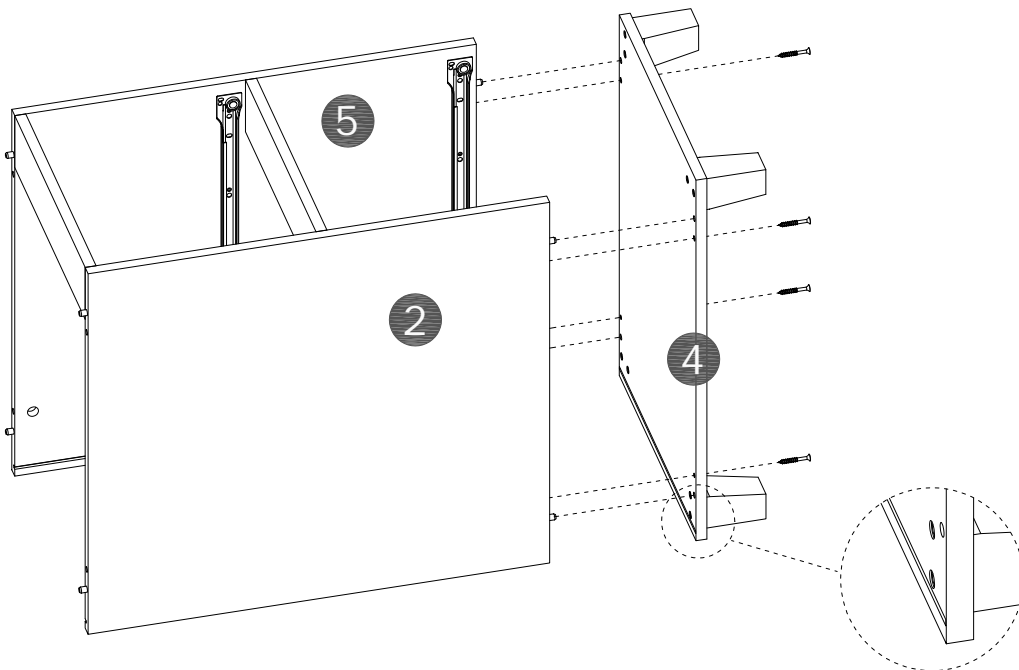
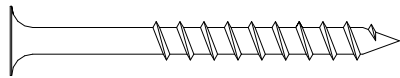
STEP 7

B x 4pcs 



STEP 8

K x 4pcs

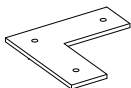


STEP 9

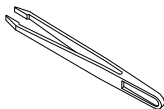
O x 18pcs



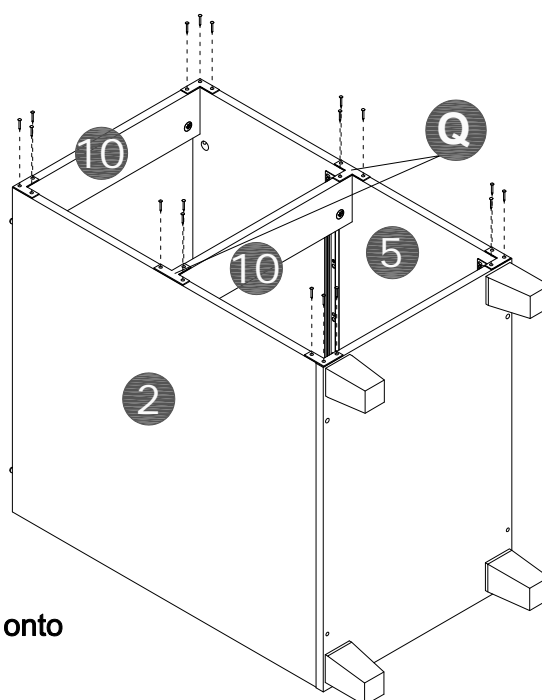
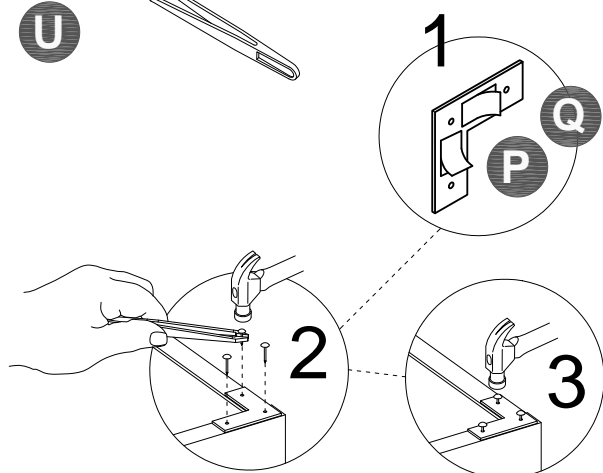
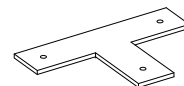
P x 4pcs



U



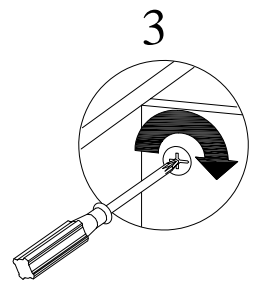
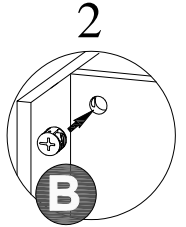
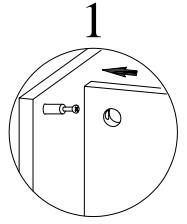
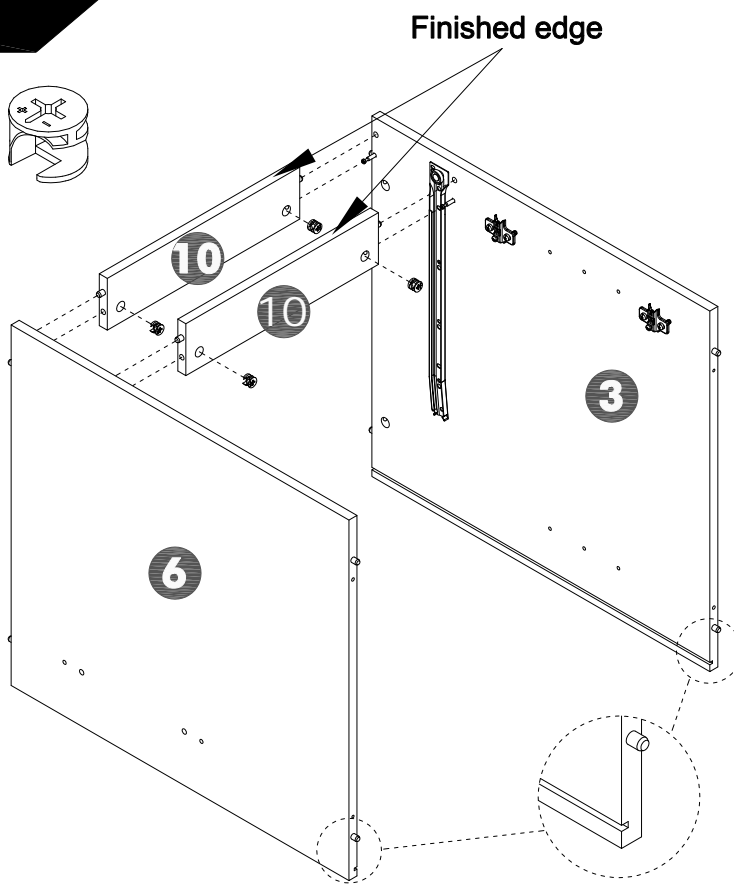
Q x 2pcs



Peel off the adhesive sticker's protective paper and bond it onto the designated position before secure with nails.

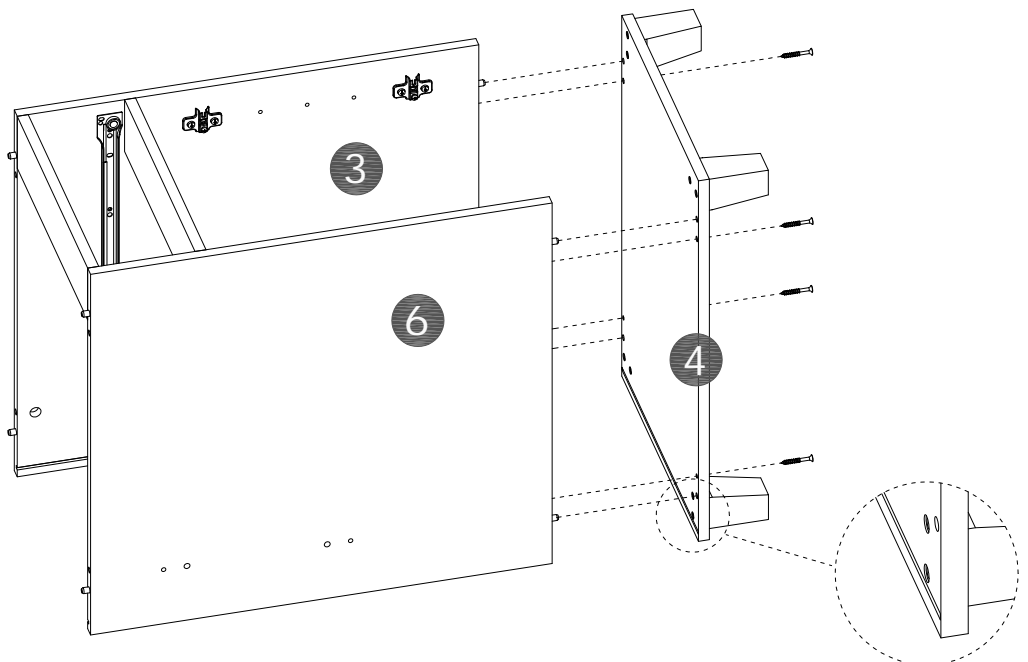
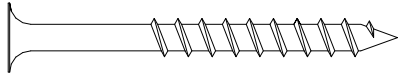
STEP 10

B x 4pcs



STEP 11

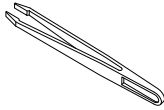
K x 4pcs



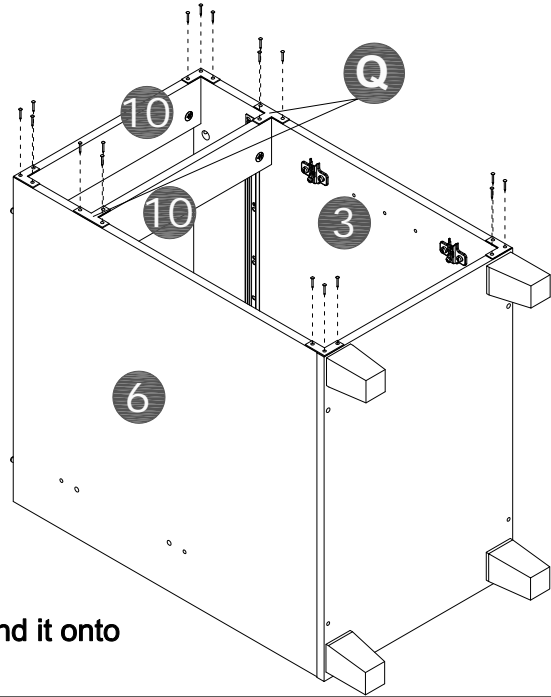
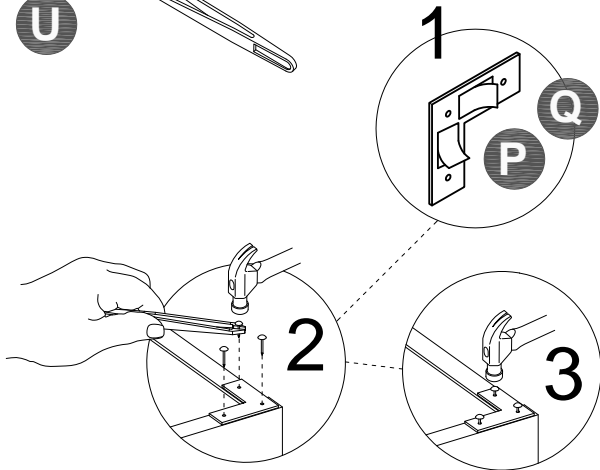
STEP 12

O x 18pcs 

P x 4pcs 

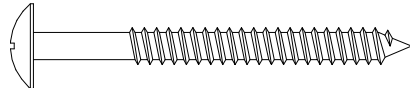
U 

Q x 2pcs 



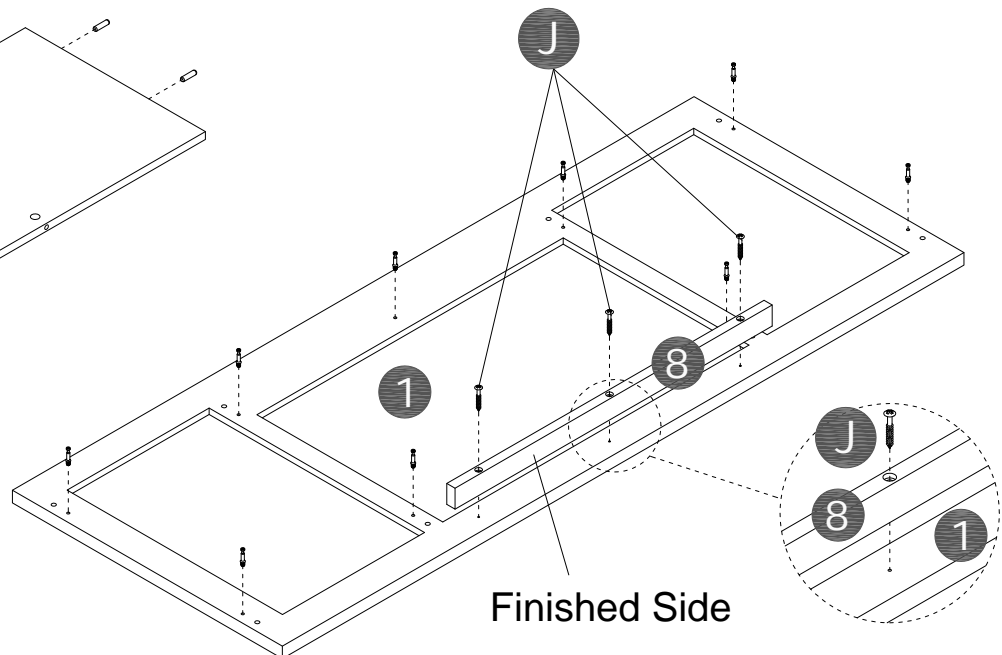
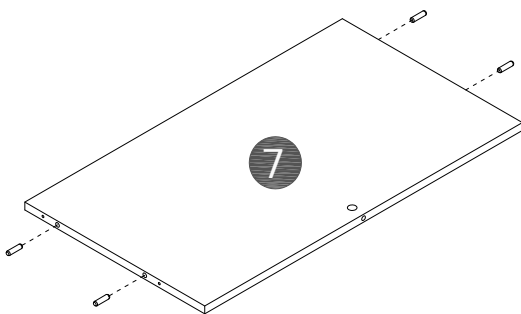
Peel off the adhesive sticker's protective paper and bond it onto the designated position before secure with nails.

STEP 13

J x 3pcs 

A x 9pcs 

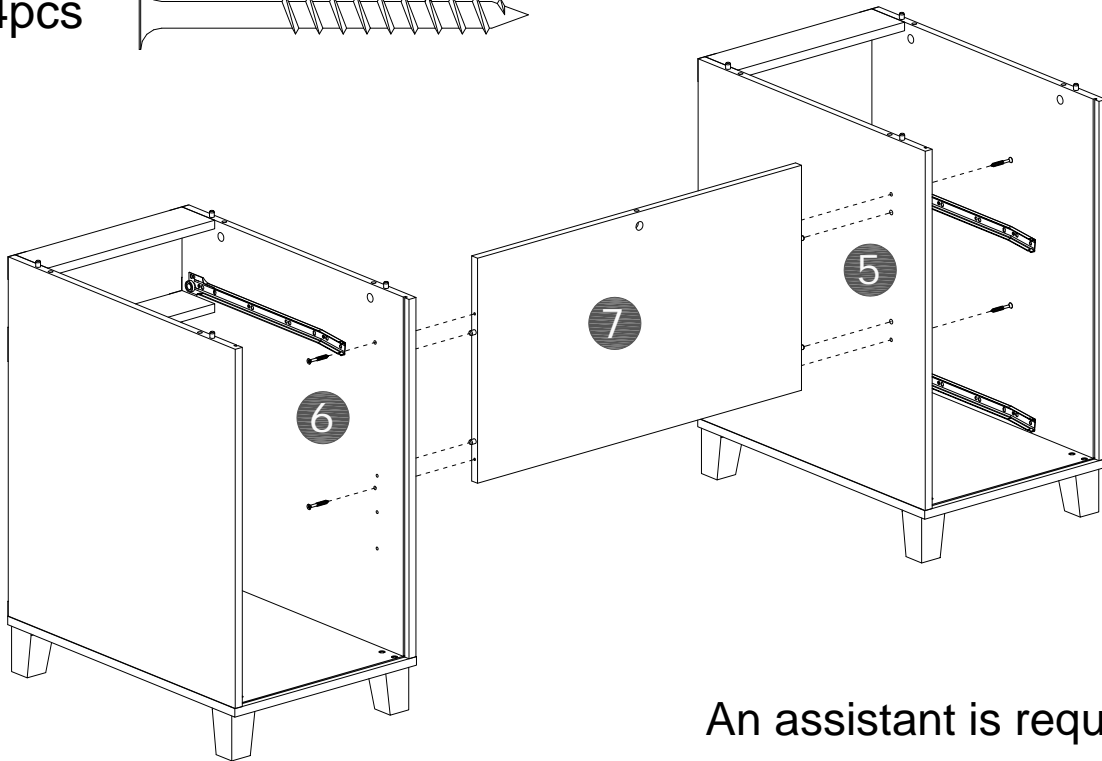
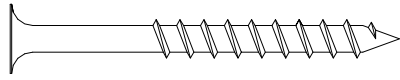
C x 4pcs 



STEP 14

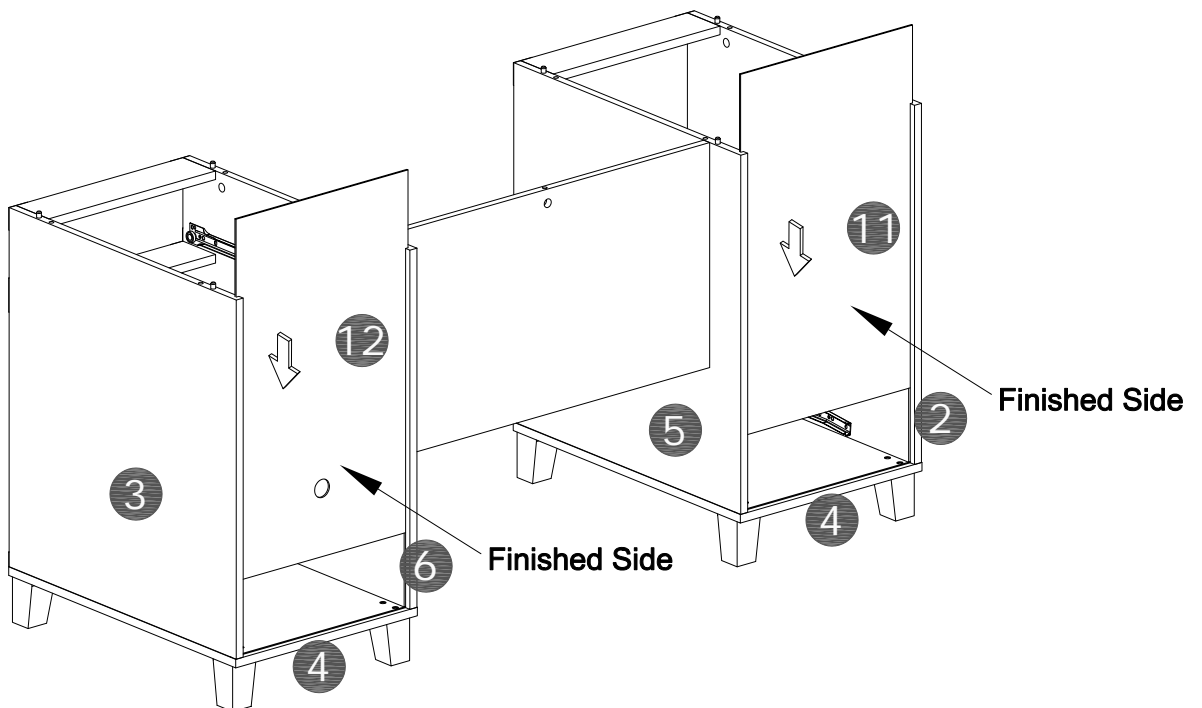
With assistant carefully stand unit up.

K x 4pcs



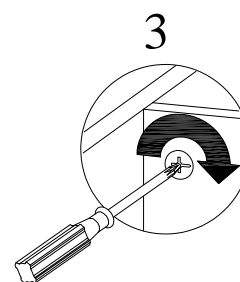
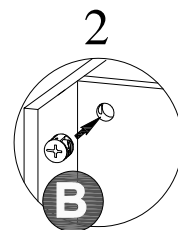
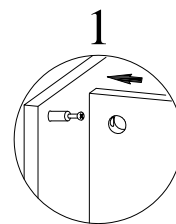
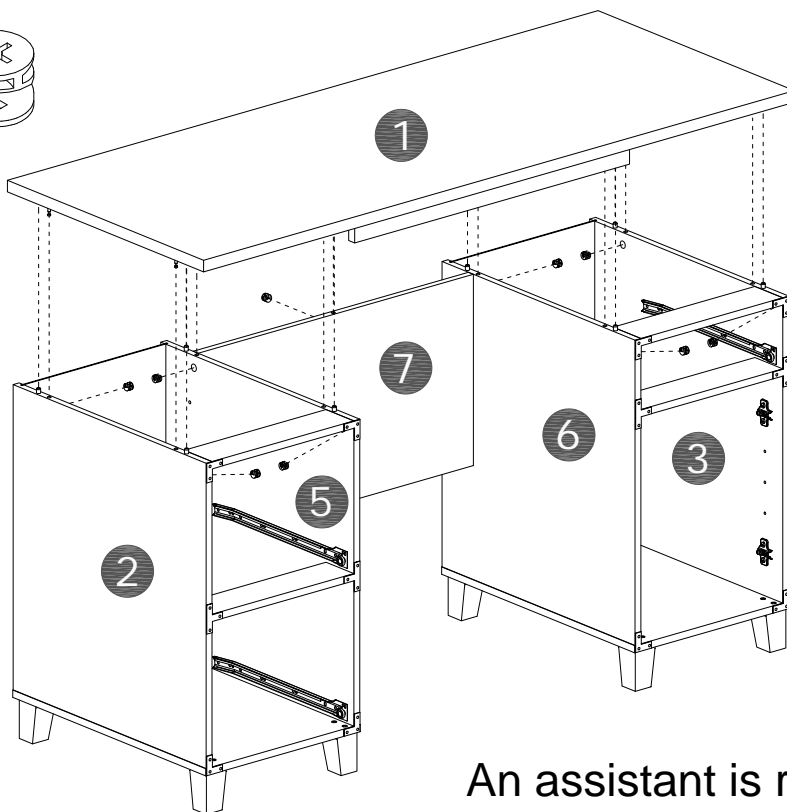
An assistant is required.

STEP 15



STEP 16

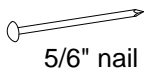
B x 9pcs



An assistant is required.

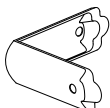
STEP 17

R x 8pcs

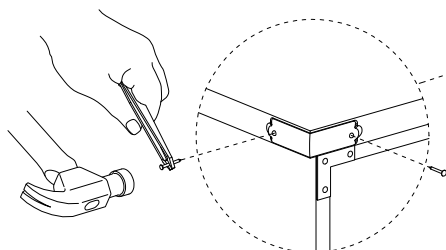
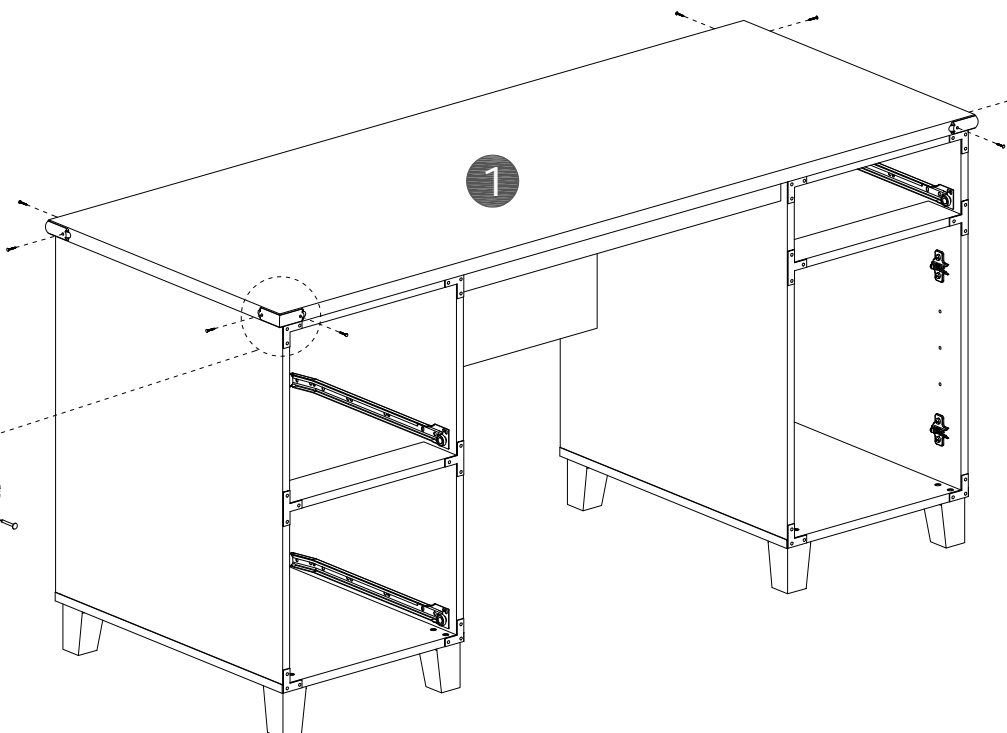
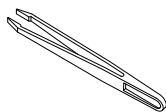


5/6" nail

S x 4pcs

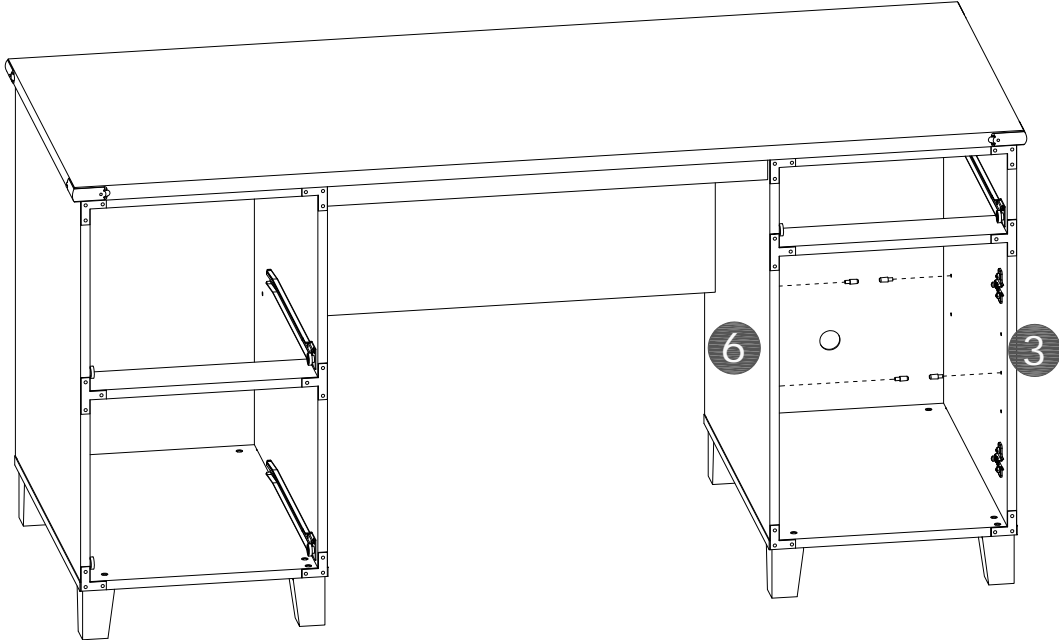
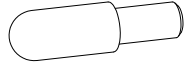


U

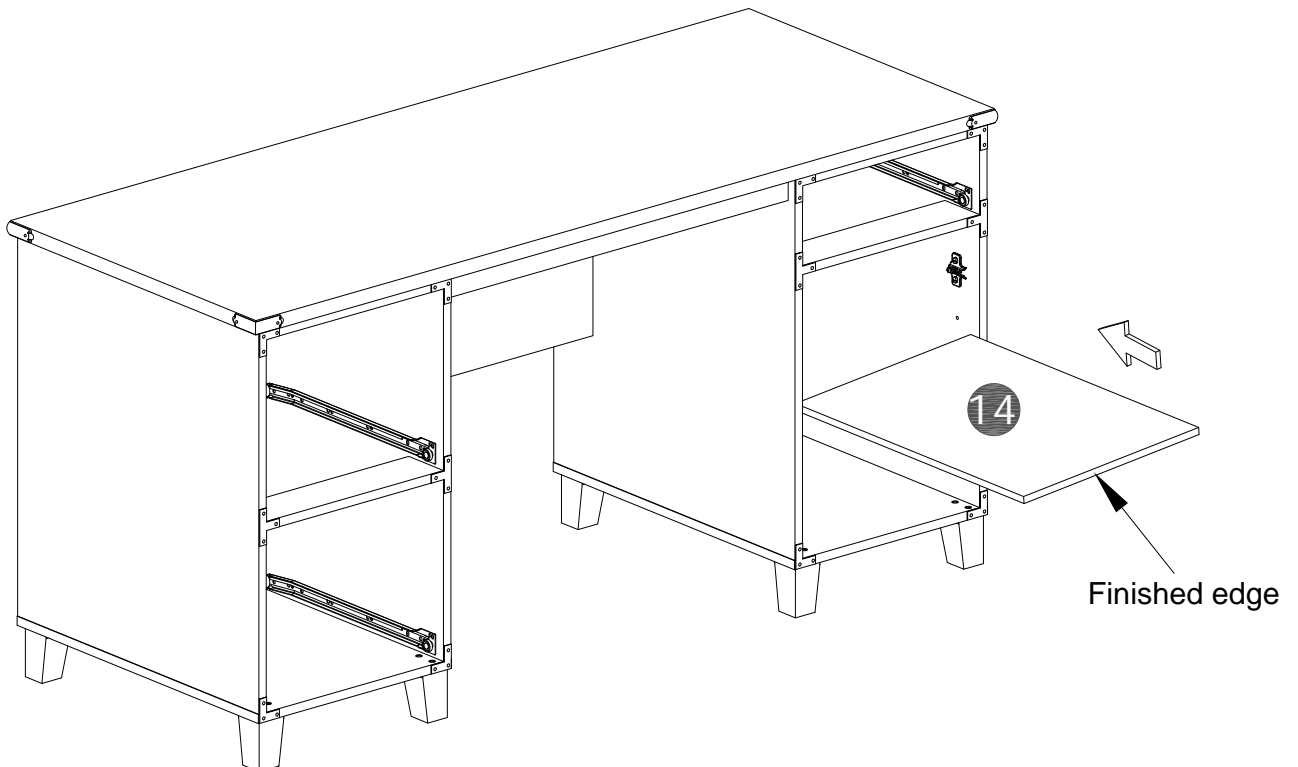


STEP 18

AA x 4pcs

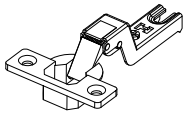


STEP 19

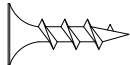


STEP 20

D x 2pcs



Z x 4pcs



F x 1pc



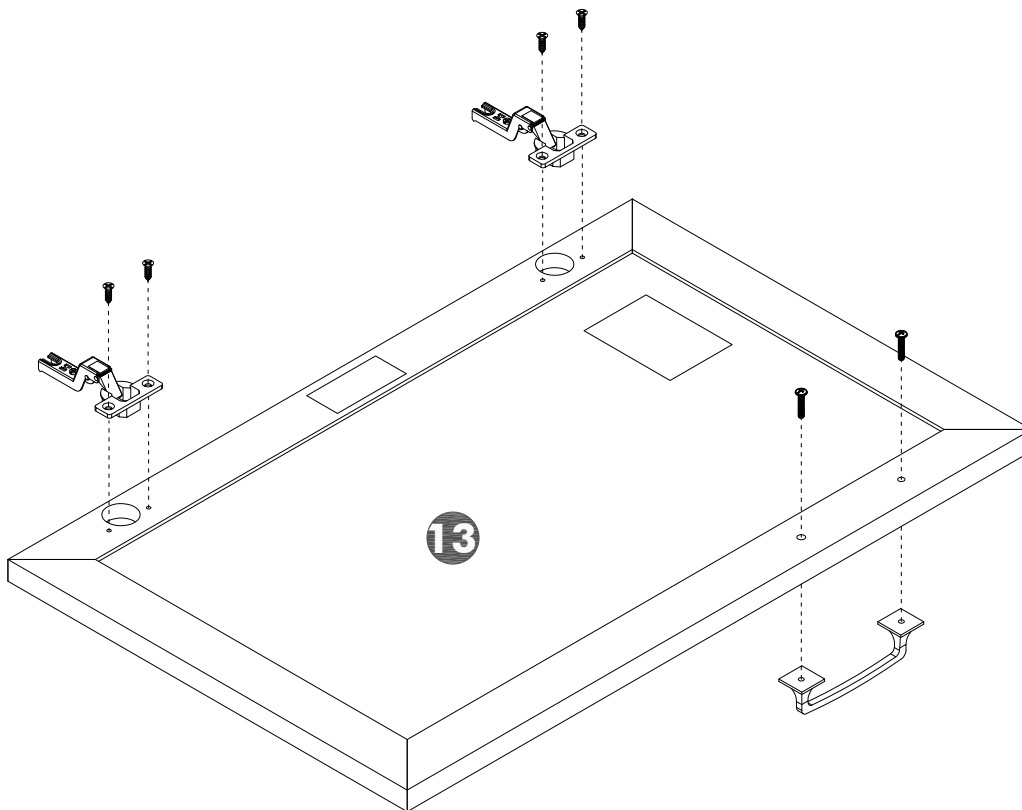
G x 2pcs



WARNING

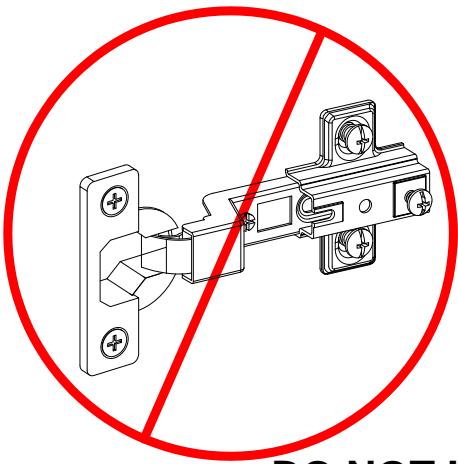
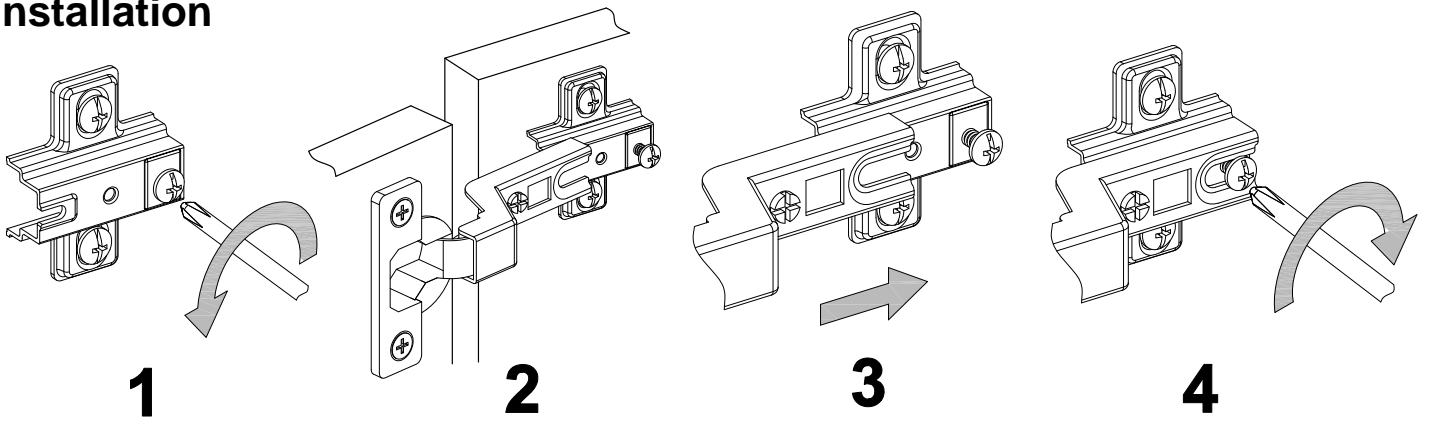
Caution, Storing electronic equipment may result in equipment overheating.

Shelves located behind doors are not intended for storing electronic equipment. Placing electronic equipment in this area may result in equipment overheating

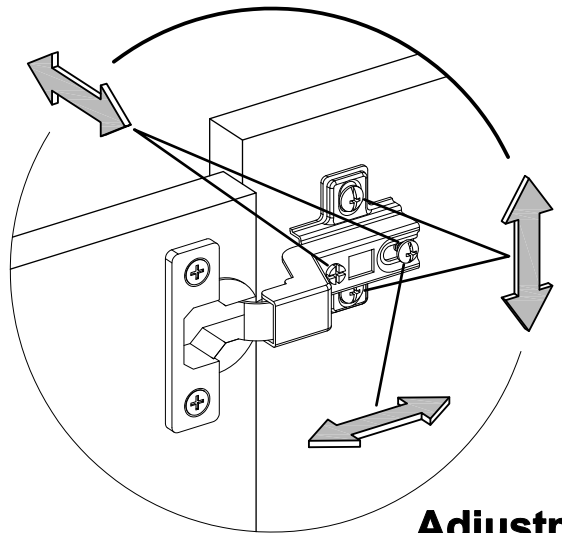


STEP 21

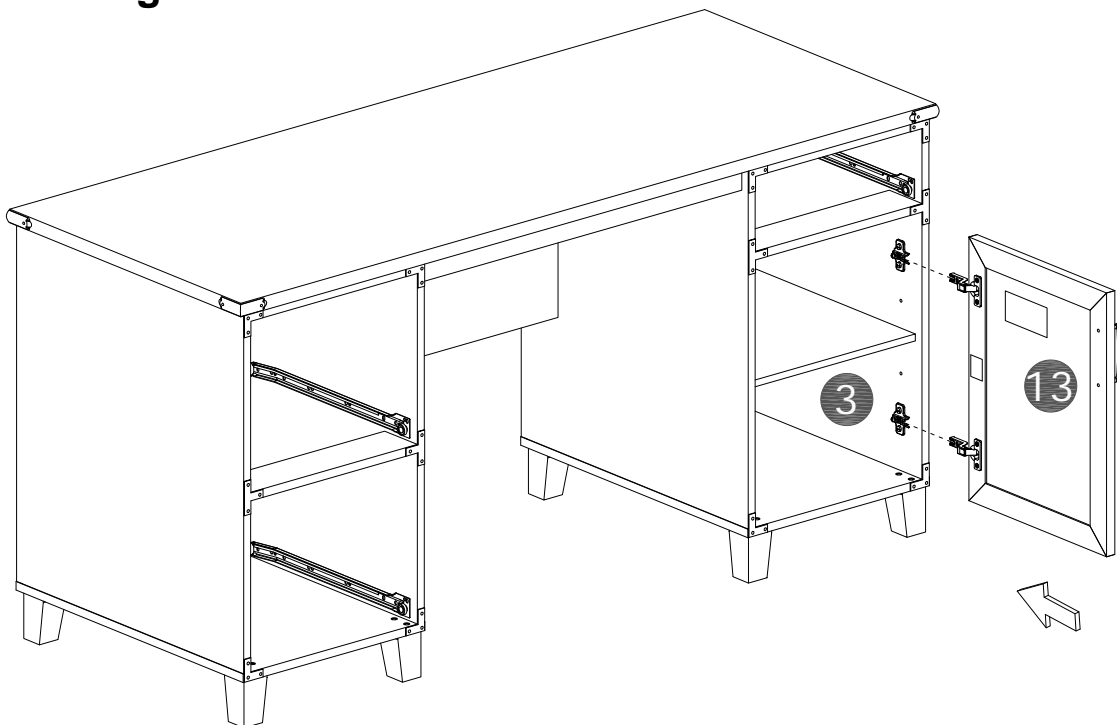
Installation



**DO NOT Insert
Hinge beneath mount**



Adjustment



STEP 22

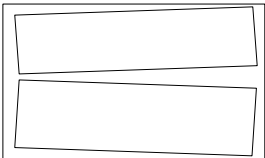
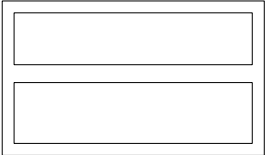
- Move unit to final location.
- Adjust drawer fronts as shown below.

Step1--Loosen screws on back of drawer front brackets as shown.

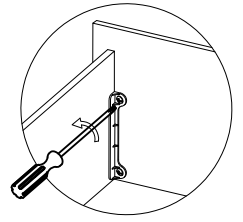
Step2--Position drawer front as required.

Step3--Tighten screws while holding drawer front in position.

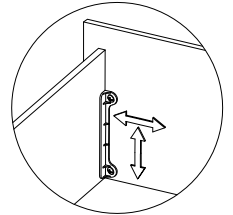
DRAWER FRONT VIEW



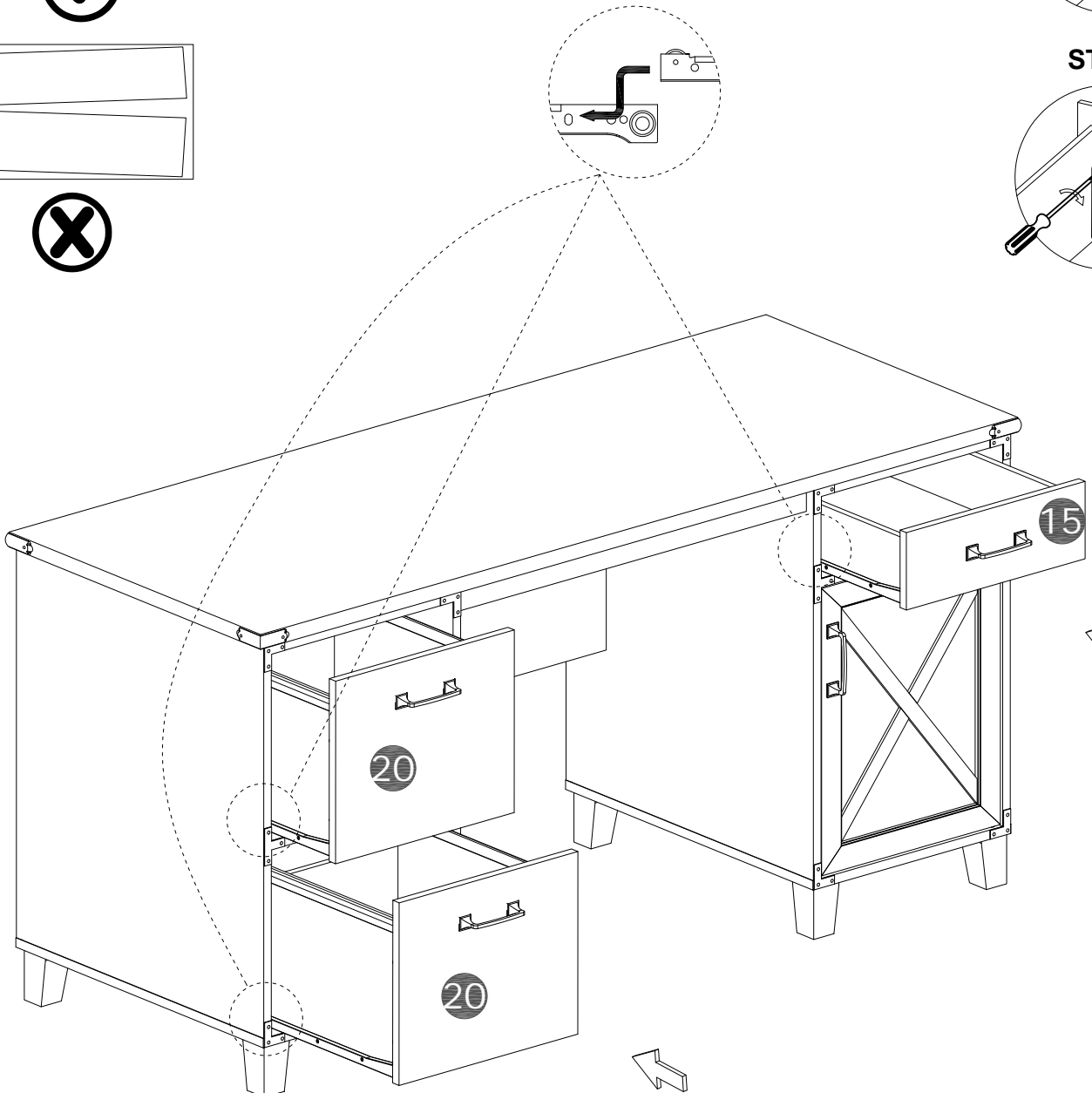
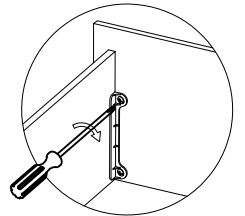
STEP 1.



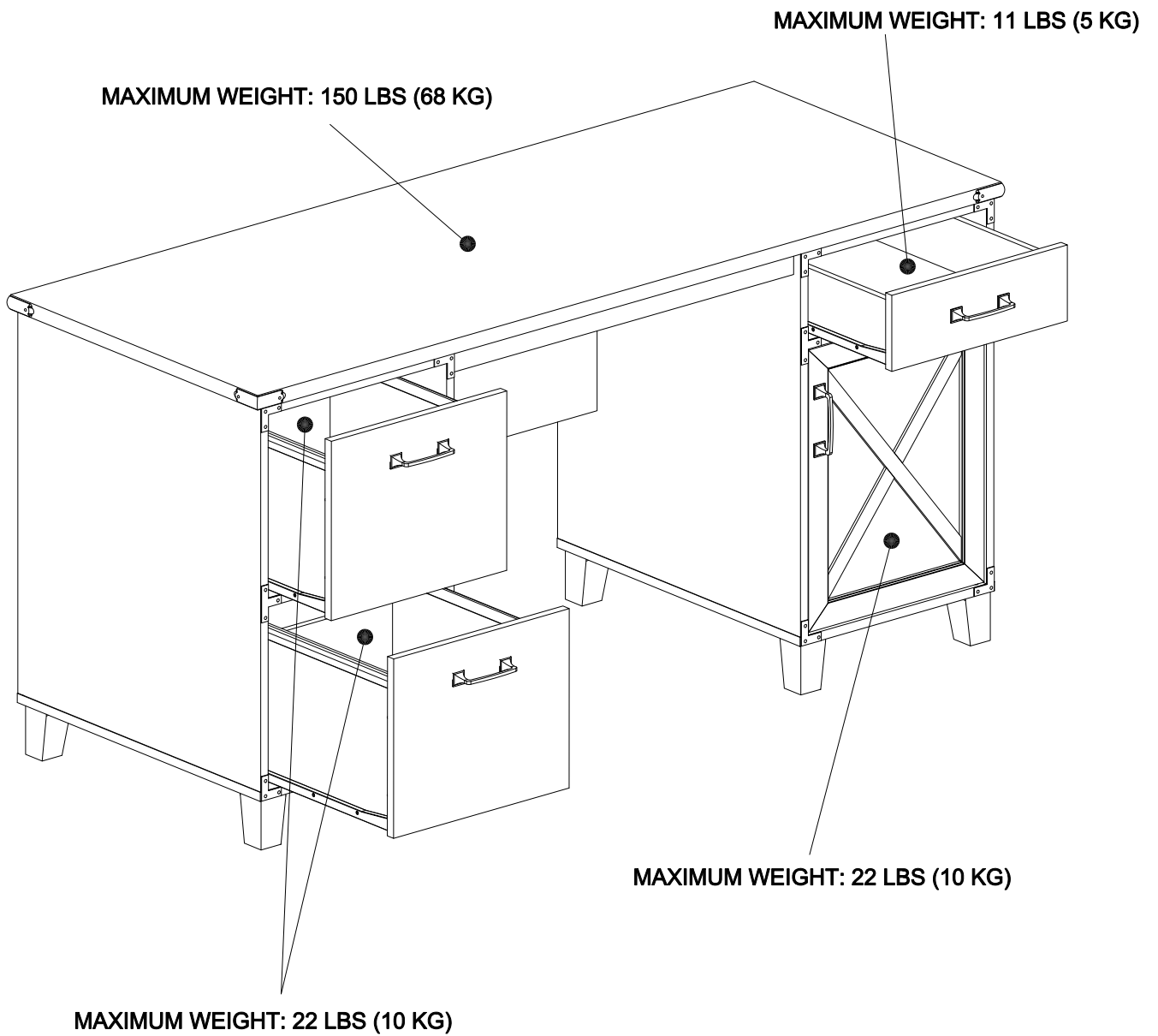
STEP 2.



STEP 3.



Maximum weight capacities



THIS PAGE INTENTIONALLY LEFT BLANK

THIS PAGE INTENTIONALLY LEFT BLANK

What is Proposition 65?

Proposition 65 is a California law that requires warning labels on products that may contain one of more than 800-plus chemicals or ingredients that the California Office of Environmental Health Hazard Assessment (OEHHA) has deemed to cause cancer or other reproductive toxicity. Chemicals and elements on this list include wood dust, brass, and other everyday substances, which can be found in very common household items, such as: lamps, tableware, jewelry, crystal glasses, electric cords, beauty products, automobiles, and furniture.

Why Did I Find a Proposition 65 Warning on My Home Goods Product?

We include Proposition 65 warnings on all of our products because there is always a chance that one of the 800-plus common chemicals and ingredients listed under this law could potentially be on our furniture or packing materials. We risk large fines under this law, if we don't include this warning.

Should I worry?

We realize you may be worried finding this warning on our products, but we want to reassure you that the hazardous exposure limits for any of these chemicals have never been found on furniture products that we've shipped to our customers. Additionally, this warning label is very common and can be found on almost every piece of furniture sold in the state of California.

Just How Common Are Proposition 65 Warnings?

Proposition 65 warnings have become so common in California that it is hard to take a trip to local bank, grocery store, or restaurant without finding at least one warning. In fact, even the Disney Land Resort has a Proposition 65 warning:

