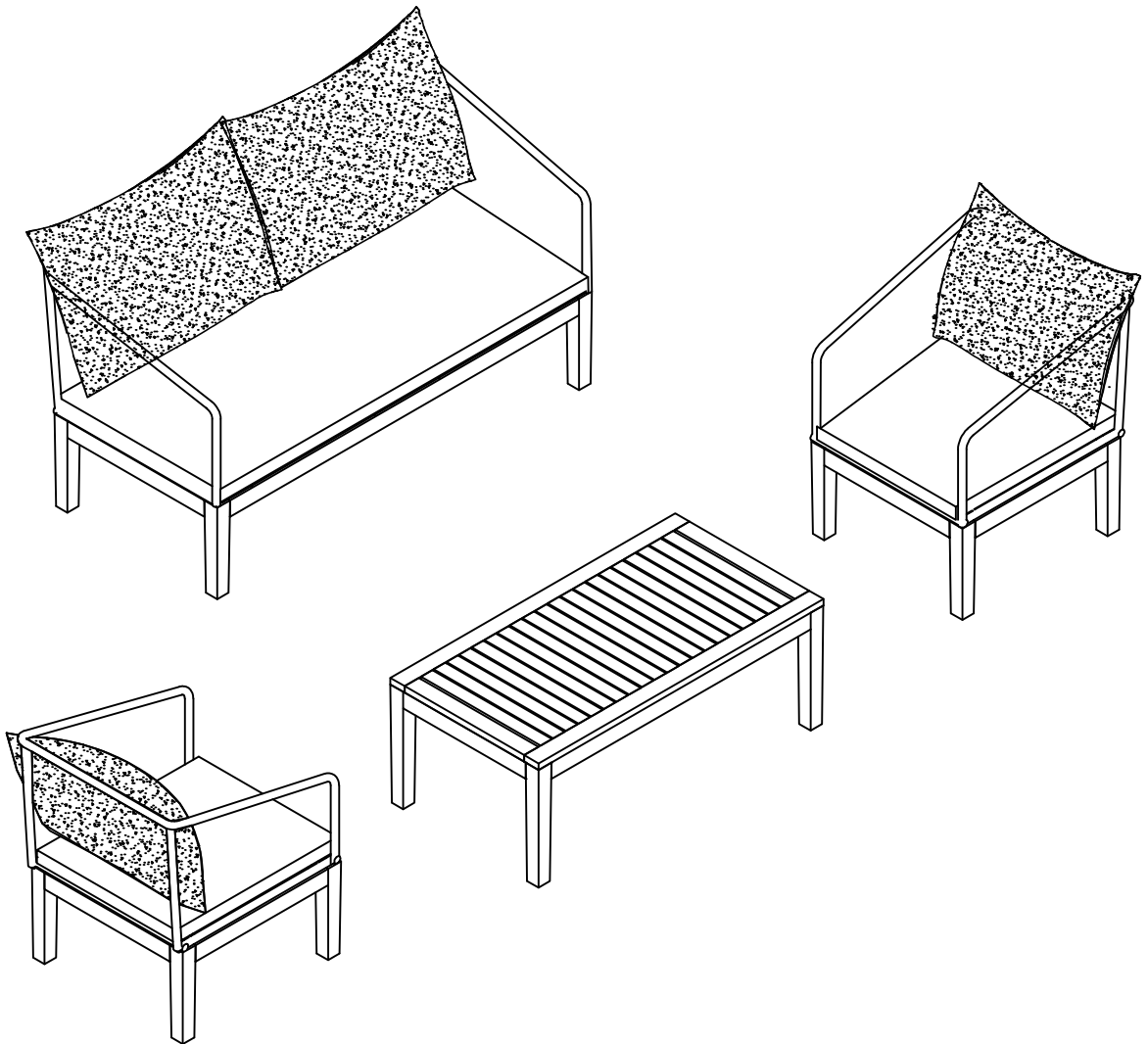


INSTRUCTION MANUAL

CONVERSATION SET BLACK



CONTENTS

Safety and care advice	1
Components	2
Assembly instructions	4
Copyright	10

⚠ SAFETY AND CARE ADVICE ⚠

PLEASE READ THESE INSTRUCTIONS CAREFULLY AND KEEP FOR FUTURE REFERENCE

- **Warning:** Please lift with care.
- Check you have all the components and tools listed on pages 2 and 3.
- Remove all fittings from the plastic bags and separate them into their groups.
- Keep children and animals away from the work area, small parts could choke if swallowed.
- Make sure you have enough space to lay out the parts before starting.
- Do not stand or put weight on the product, this could cause damage.
- Assemble the item as close to its final position (in the same room) as possible.

- Assemble on a soft level surface to avoid damaging the unit or your floor (use opened out unit carton).



- We do not recommend the use of power drill/drivers **for inserting screws**, as this could damage the unit. Only use hand screwdrivers.
- Dispose of all packaging carefully and responsibly.

CARE AND MAINTENANCE

- Only clean using a damp cloth and mild detergent, do not use bleach or abrasive cleaners.
- From time to time check that there are no loose screws on this unit.

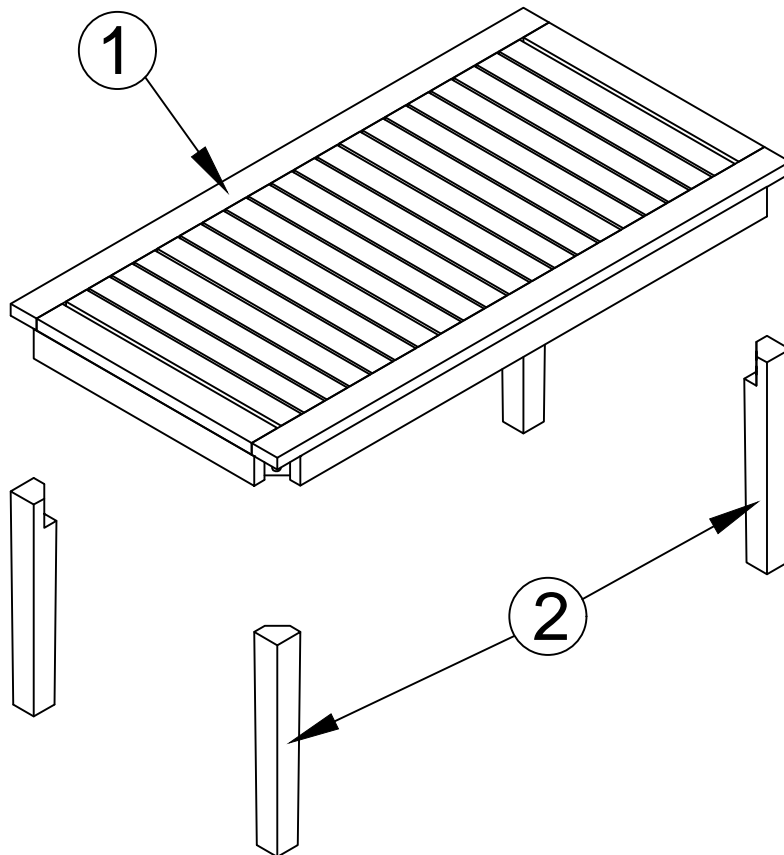
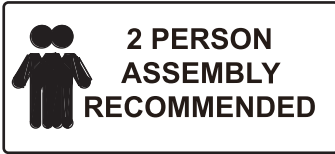
- This product should not be discarded with household waste. Take to your local authority waste disposal center.

Note *If required the next page can be cut out and used as reference throughout the assembly. Keep this page with these instructions for future reference.*

COMPONENTS

Please check you have all the panels listed below :

Please check you have all the panels listed below:

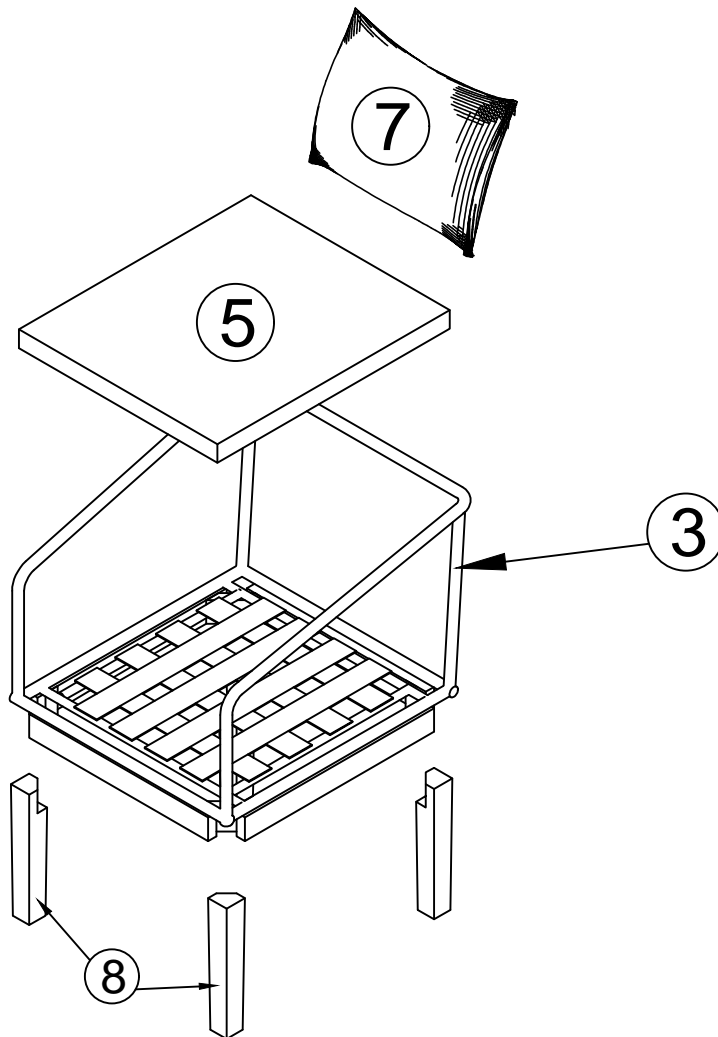
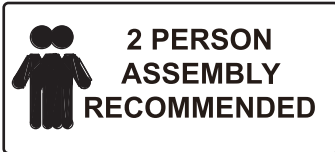


1	Table top	x1
2	Table Legs	x4

COMPONENTS

Please check you have all the panels listed below :

Please check you have all the panels listed below:

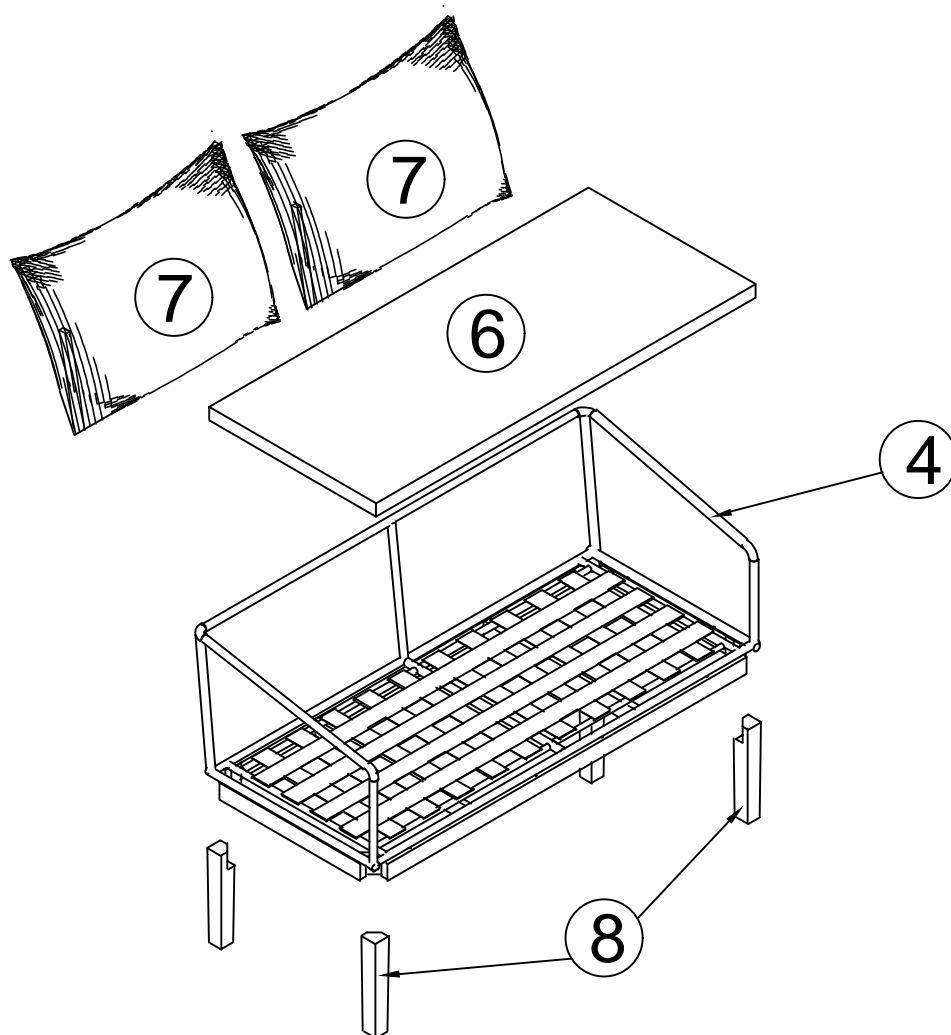
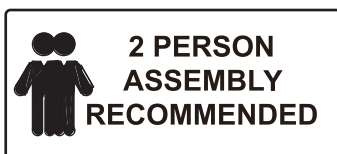


8	Chair legs	x8	5	Seat cushion	x2
3	Chair Seat Frame	x2	7	Back cushion	x2

COMPONENTS

Please check you have all the panels listed below :

Please check you have all the panels listed below:



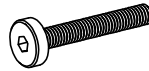
8	Bench legs	x4	6	Bench seat cushion	x1
4	Bench seat frame	x1	7	Bench back cushion	x2

COMPONENTS

Please check you have all the panels listed below :

HARDWARE LIST

A



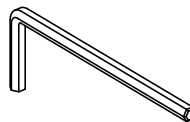
Allen Bolt M6*45 (32 pcs)

B



Washer M6*16*1.0 (32 pcs)

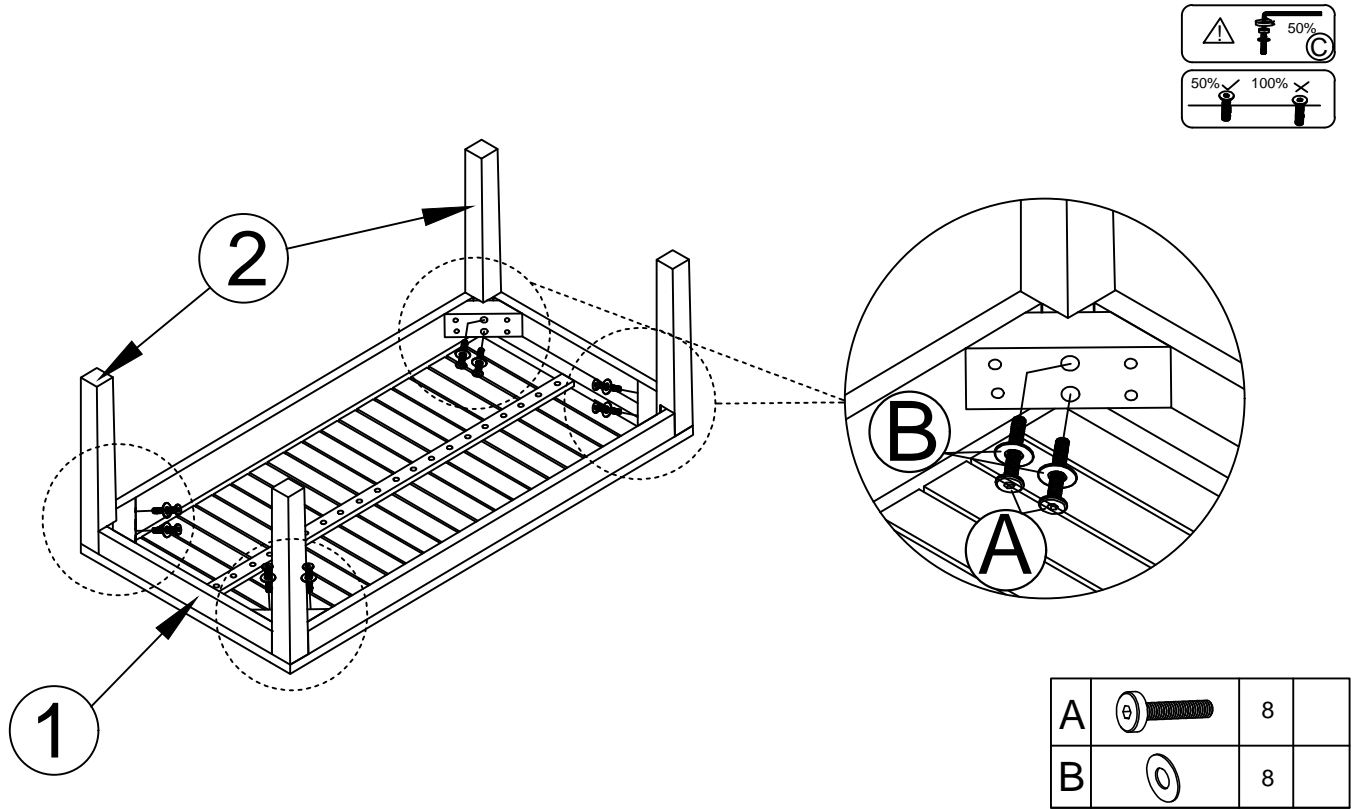
C



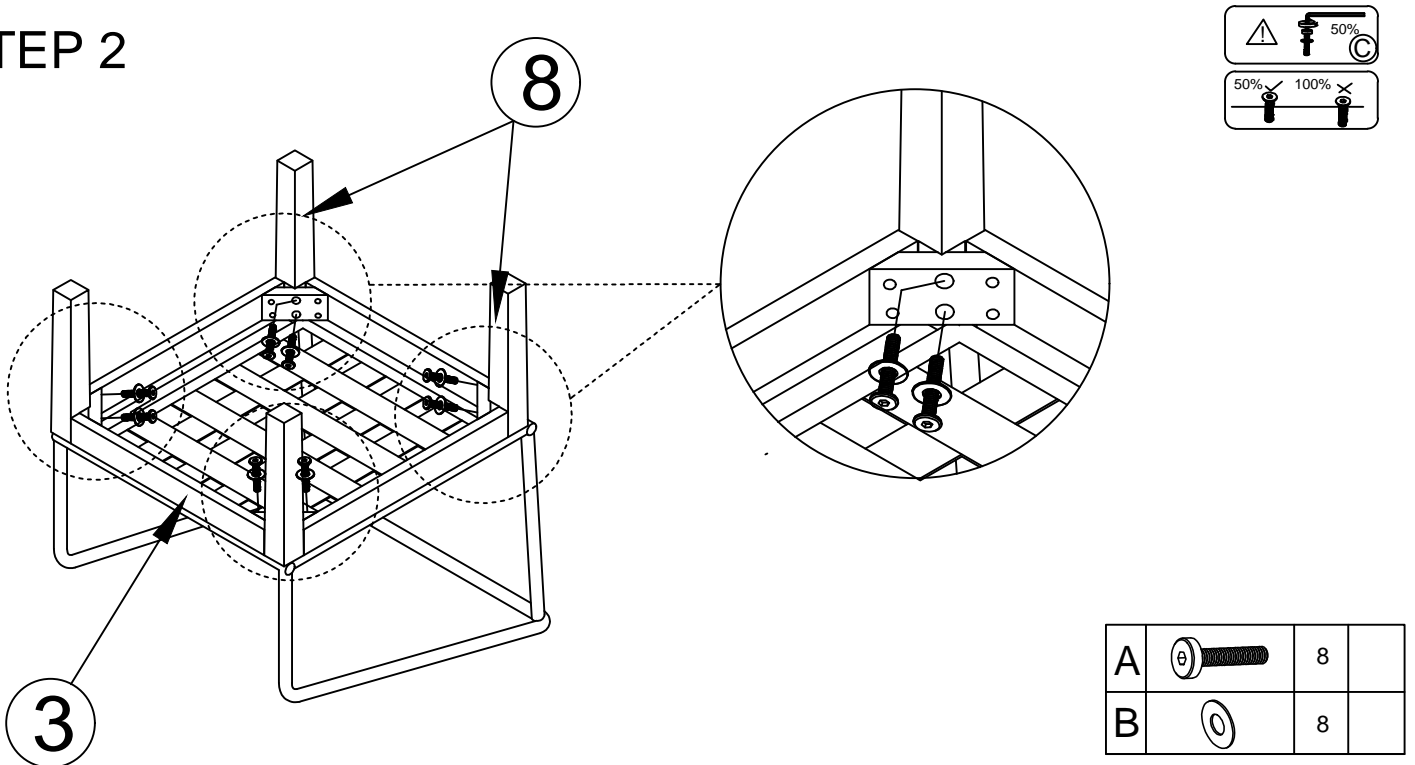
Allen Key K4 (1 pc)

ASSEMBLY INSTRUCTIONS

STEP 1

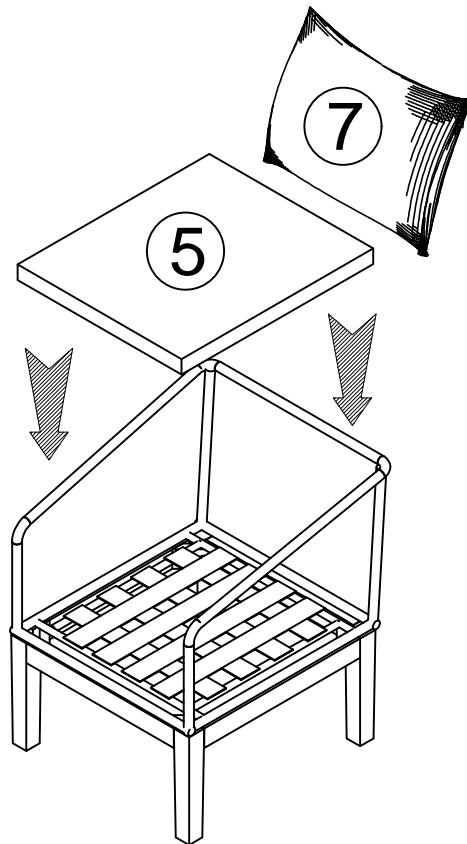


STEP 2

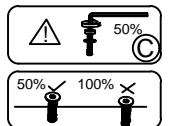
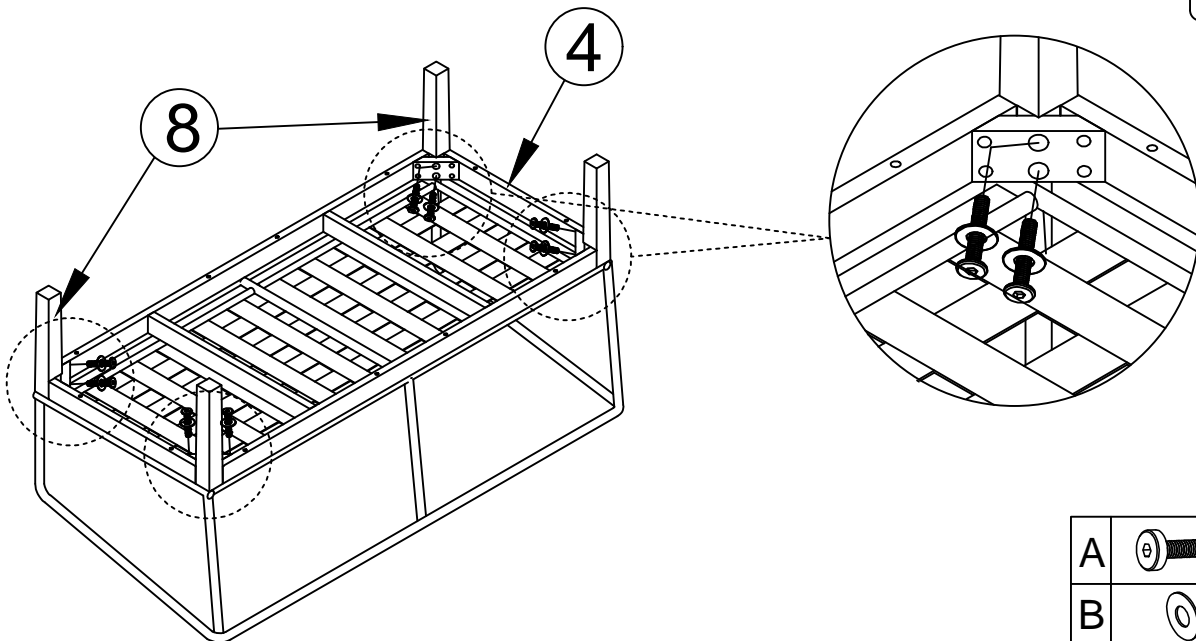


ASSEMBLY INSTRUCTIONS

STEP 3

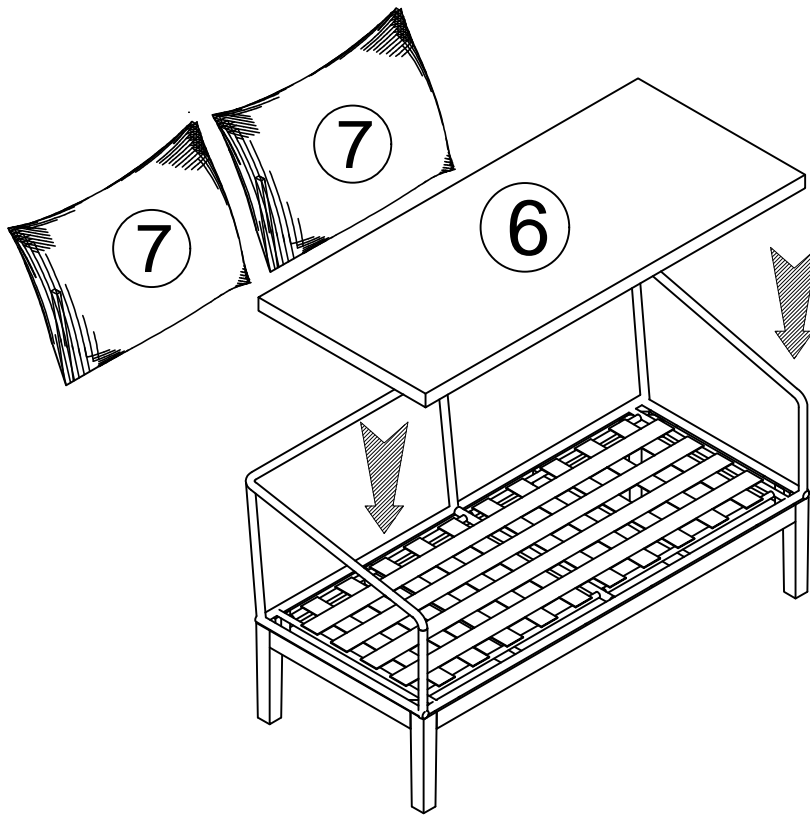


STEP 4

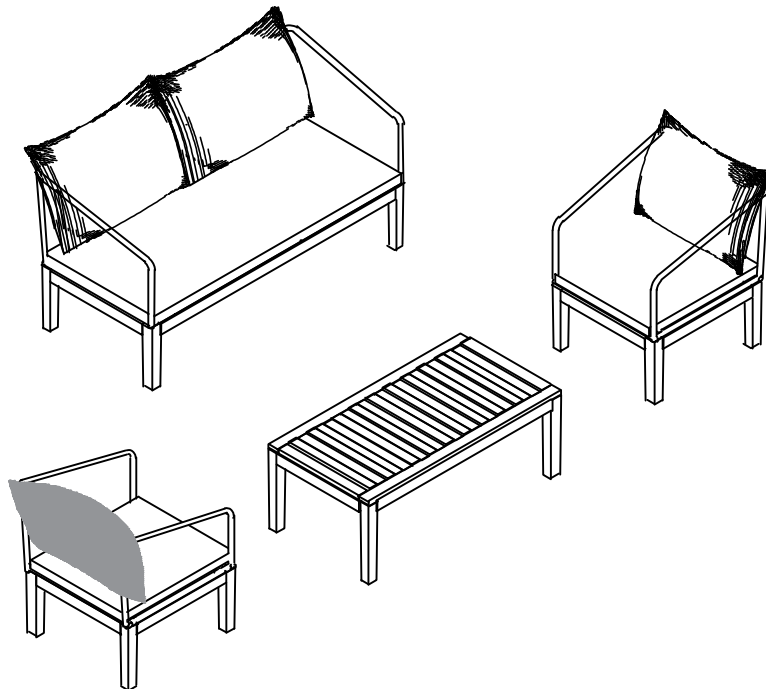


ASSEMBLY INSTRUCTIONS

STEP 5



STEP 6 Finish



Congratulations! Now you have finished assembling the product.

IF YOU FIND A DEFECTIVE PART

We fully stock all parts and components. Any defective part can be quickly replaced. Take note of the defective part number in manual and we will arrange a quick replacement.

COPYRIGHT

All material in this instruction manual is copyrighted
Any unauthorised use may violate worldwide copyright, trademark and other laws.