

MASTER-MARINER COMFORT METER INSTRUCTIONS



The Comfort Meter provides indications of temperature and humidity. If temperature and humidity are maintained to keep the hands cross point inside the centre polygon a normal comfort state is also indicated.

1. If the humidity indicator should become inactive due to prolonged exposure to low humidity (%RH), the active sensing membrane will require intervention to re-activate.
2. To re-activate the membrane place the unit back face down on a damp cloth towel for about 3 to 4 hours after which the unit should be reading 100% RH.
3. If there is a reading error insert a small instrument screwdriver into the back plate hole as shown on Figure overleaf and slowly rotate until the instrument reads 100%RH.
4. In the unlikely event the thermometer should become inaccurate, place the unit in close proximity to a comparison instrument and in draft free conditions and leave for about 30 minutes to stabilise.

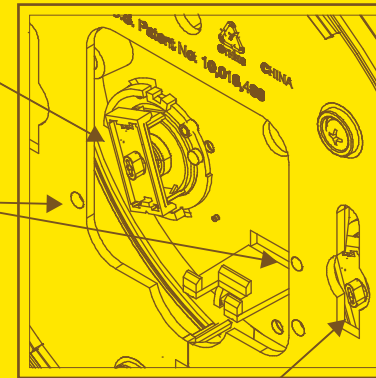
COMFORT METER INSTRUCTIONS



5. Then use a small screwdriver as in #3 above and insert into the back plate hole over the thermometer sensor and slowly rotate until the thermometer hand reads the same as your comparison instrument.

Thermometer

Insert small screwdriver through back plate holes to engage slot in thermometer and hygrometer sensors and reset as required.



Hygrometer