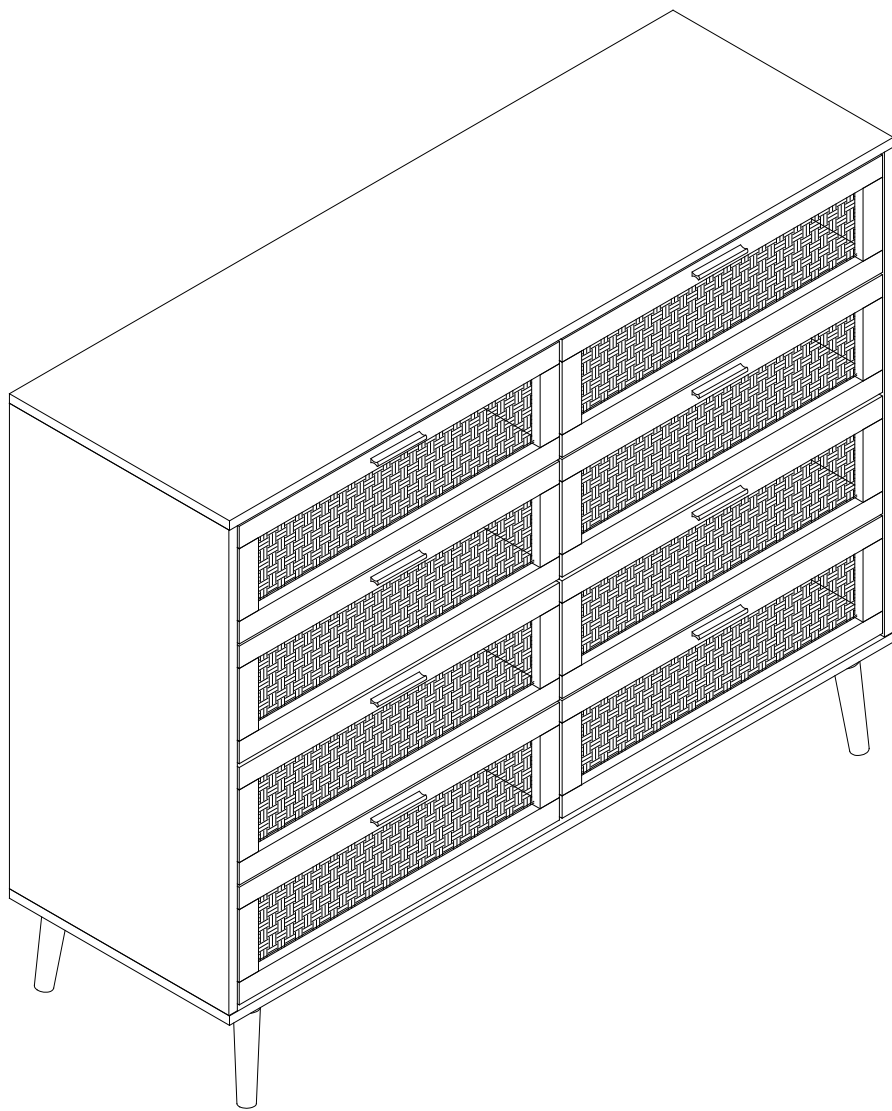


Installation Instruction



Assembling

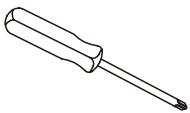
Estimated time for assembly



45 : 00

What you need

- Use the packaging carton as a working surface to prevent product damage during assembly
- Phillips head screwdriver



Weight Limitation

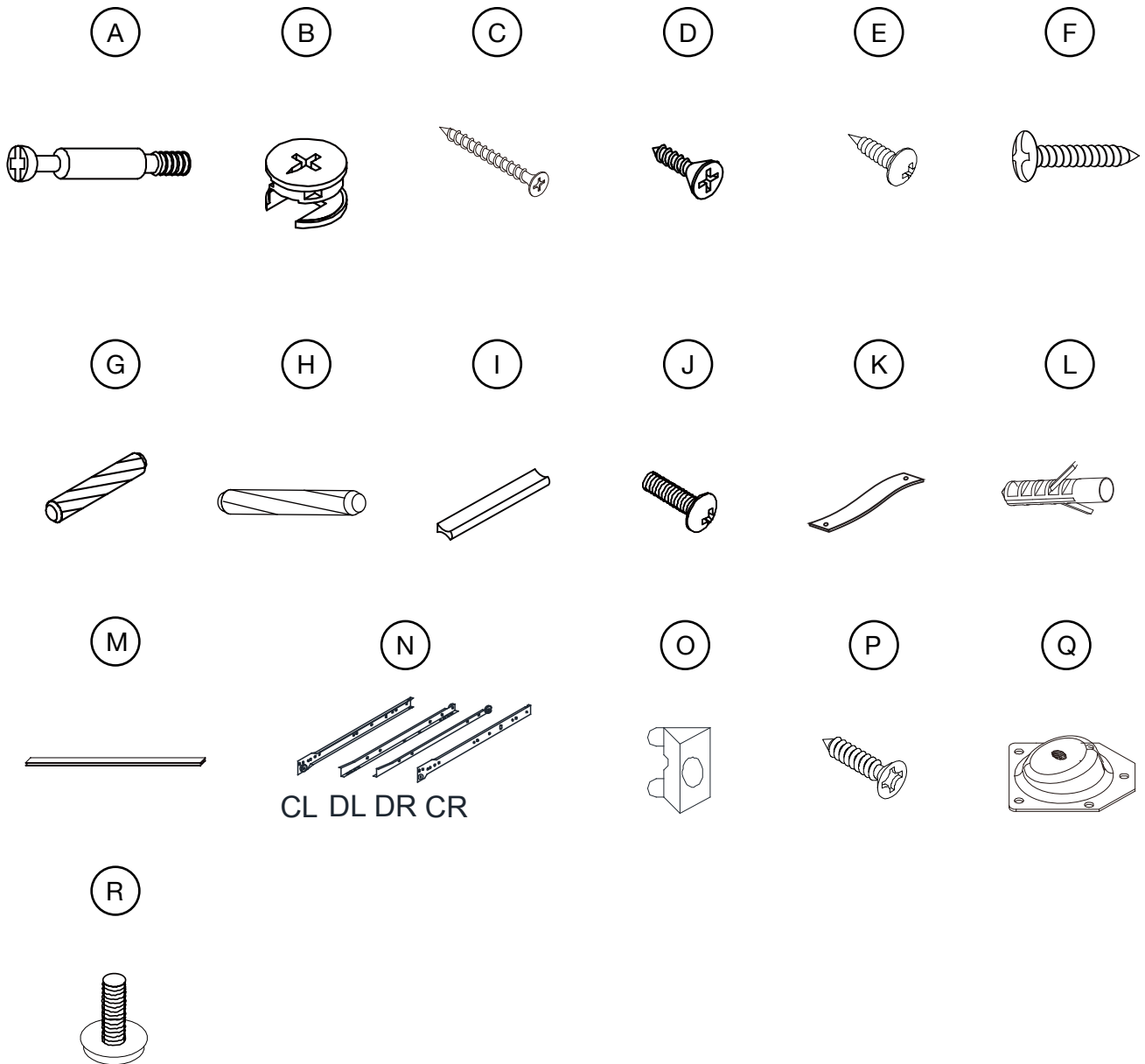


44 | **11**
lbs table top | lbs per drawer

What's included

Code	Description	Qty
A	Cam Bolt M6X35MM	54
B	Cam Lock 15X10MM	54
C	Screw M4X40MM	56
D	Screw M3.5X12MM	96
E	Screw M4X14MM	22
F	Screw M4X40MM	2
G	Wooden Dowel M6X30MM	20
H	Wooden Dowel M6X50MM	2
I	Handle	8
J	Bolt M4X18MM	16
K	Nylon Strap	2
L	Anchor	2
M	Plastic Strip	2
N	Slide Sets	8
O	Plastic Corner Support	16
P	Screw M3X14MM	16
Q	Foot Metal Pin	4
R	Adjustable Foot Nail	1

The Hardwares



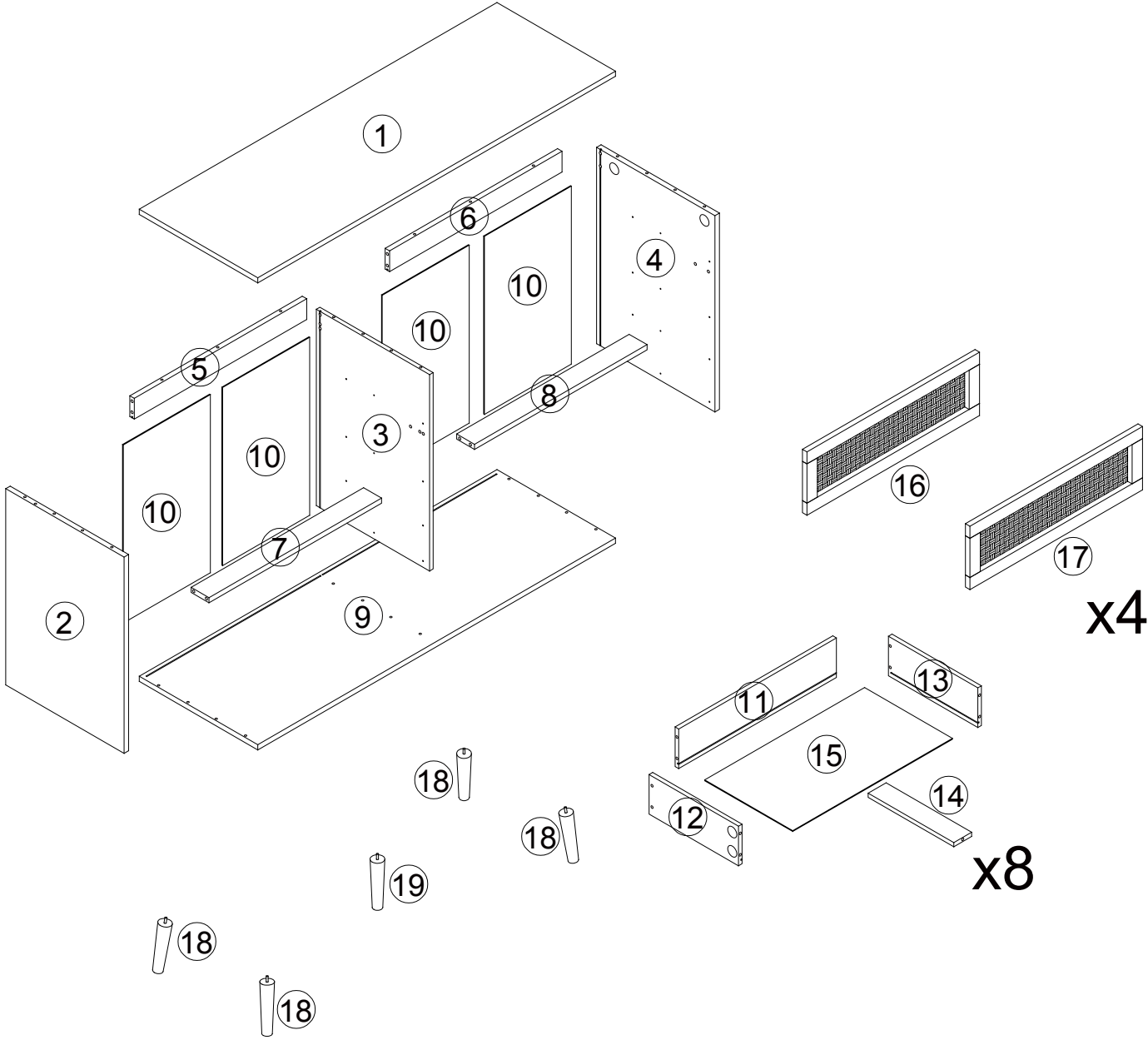
IMPORTANT:

1. Do not tighten bolts / screws completely until all bolts / screws are lined up and inserted into holes.
2. Do not over tighten screws and bolts to avoid stripping.
3. Please use hand tools to assemble this product. Do not use power tools.

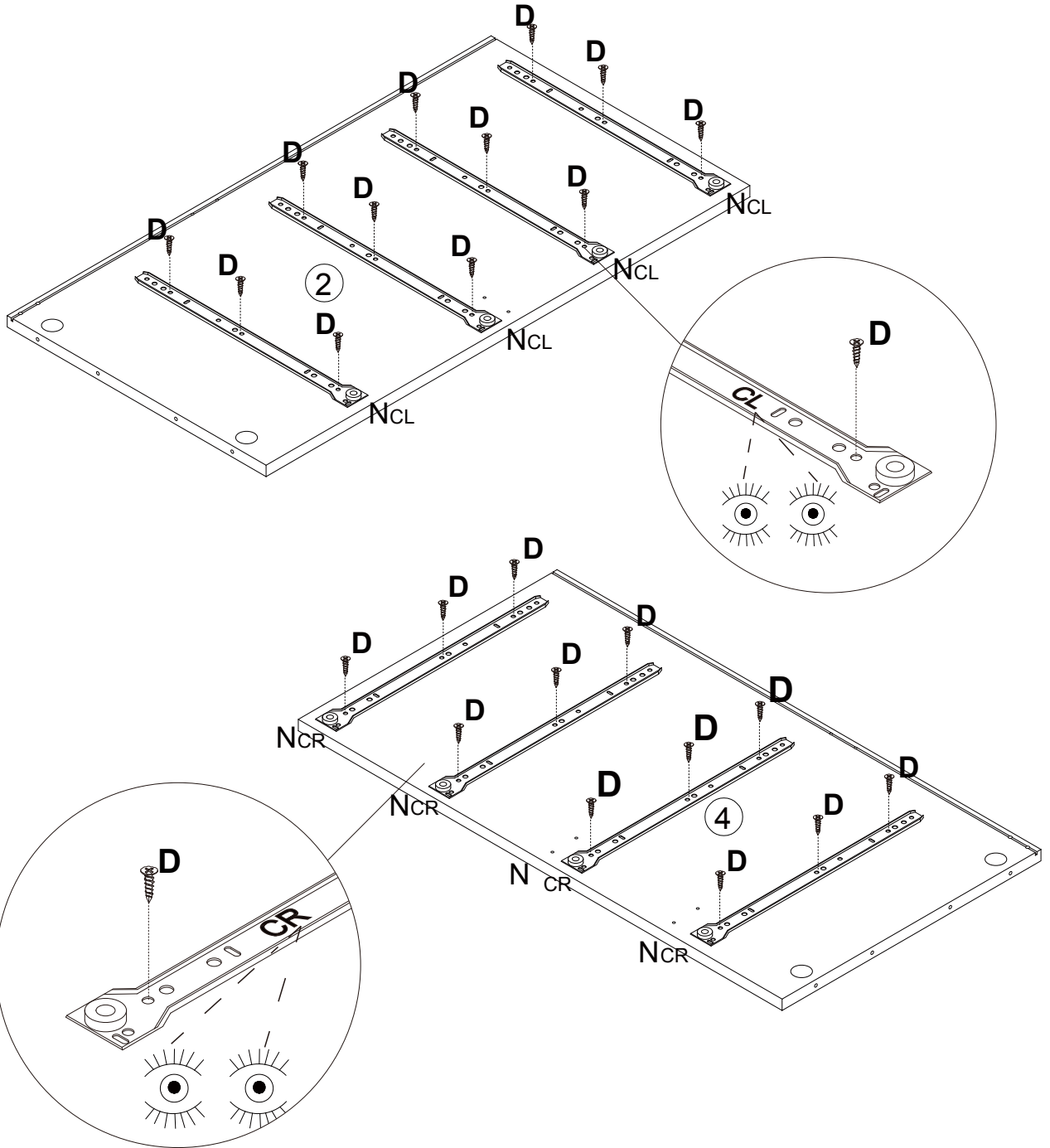
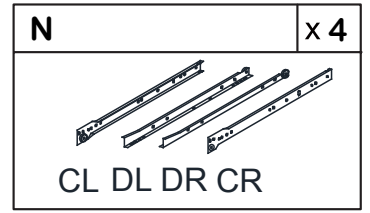
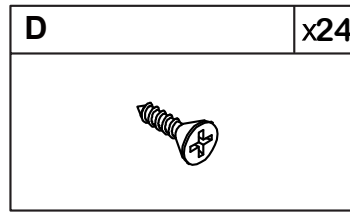
Included Accessories

Code	Description	Qty
1	Cabinet Top	1
2	Left Side Panel	1
3	Middle Side Panel	1
4	Right Side Panel	1
5	Left Back Stretcher	1
6	Right Back Stretcher	1
7	Left Drawer Support Panel	1
8	Right Drawer Support Panel	1
9	Bottom Panel	1
10	Back Panel	4
11	Drawer Back Panel	8
12	Drawer Left Side Panel	8
13	Drawer Right Side Panel	8
14	Drawer Inner Support Panel	8
15	Drawer Bottom Panel	8
16	Drawer Left Front Panel	4
17	Drawer Right Front Panel	4
18	Feet	4
19	Middle Foot	1

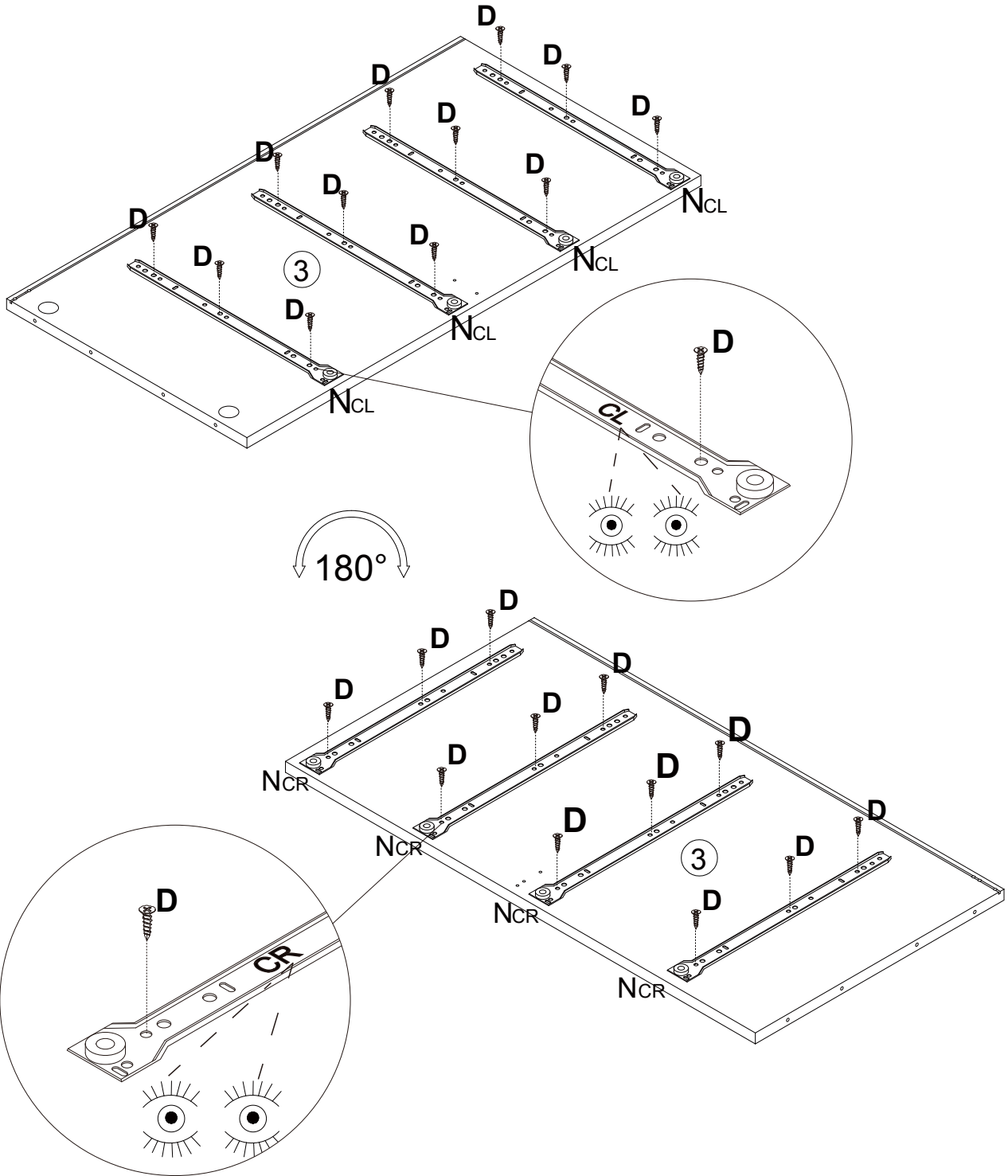
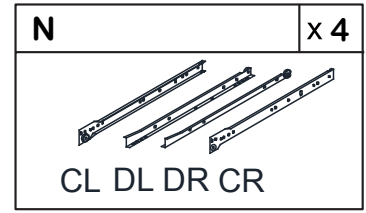
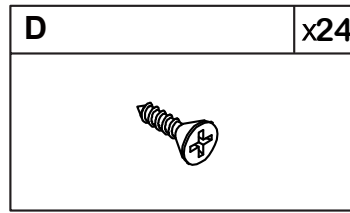
The Accessoriess



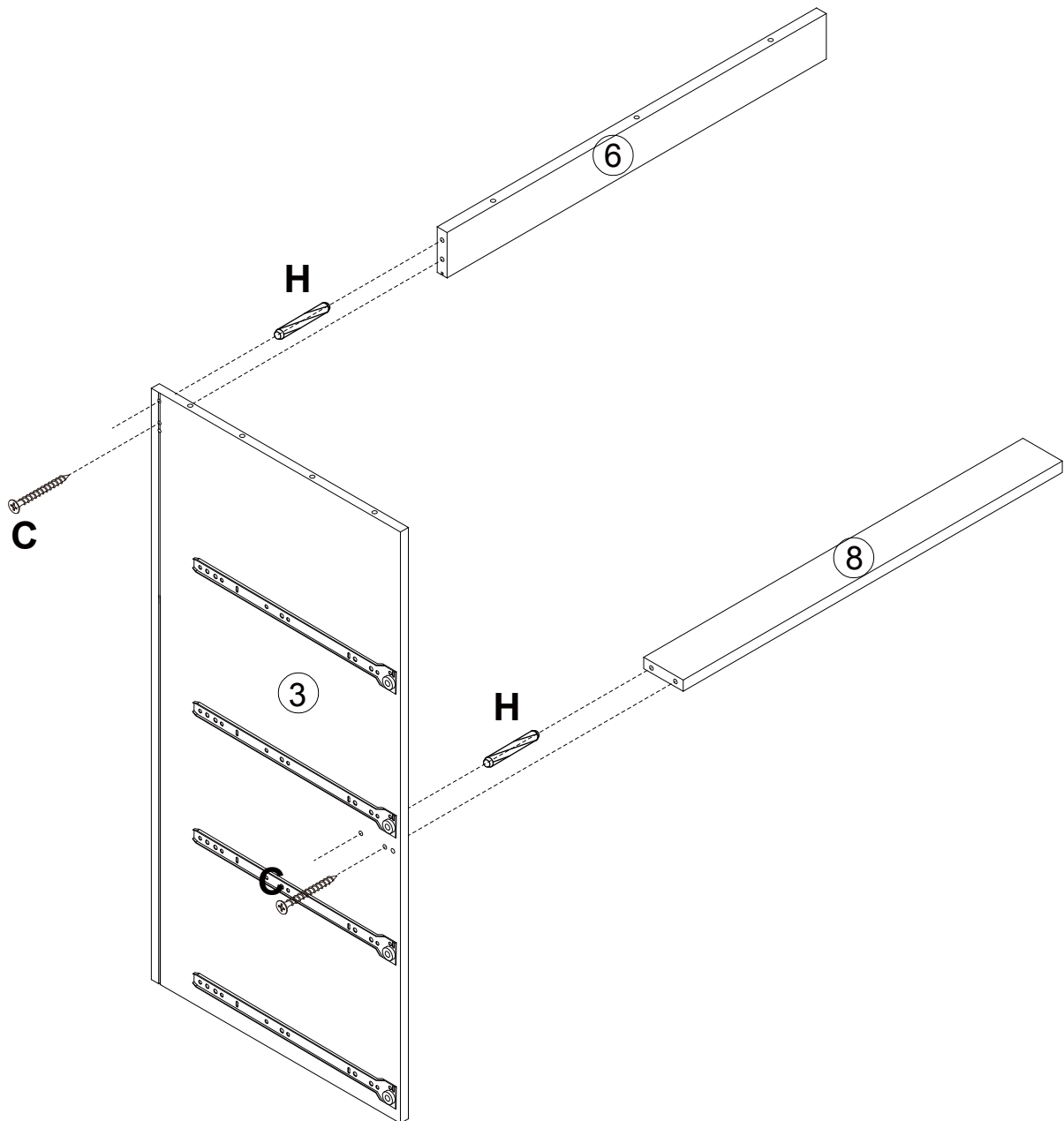
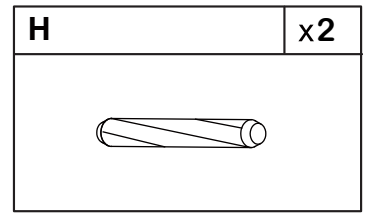
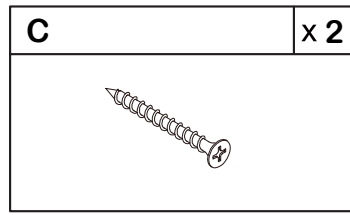
Step 1



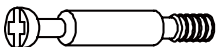

Step 2

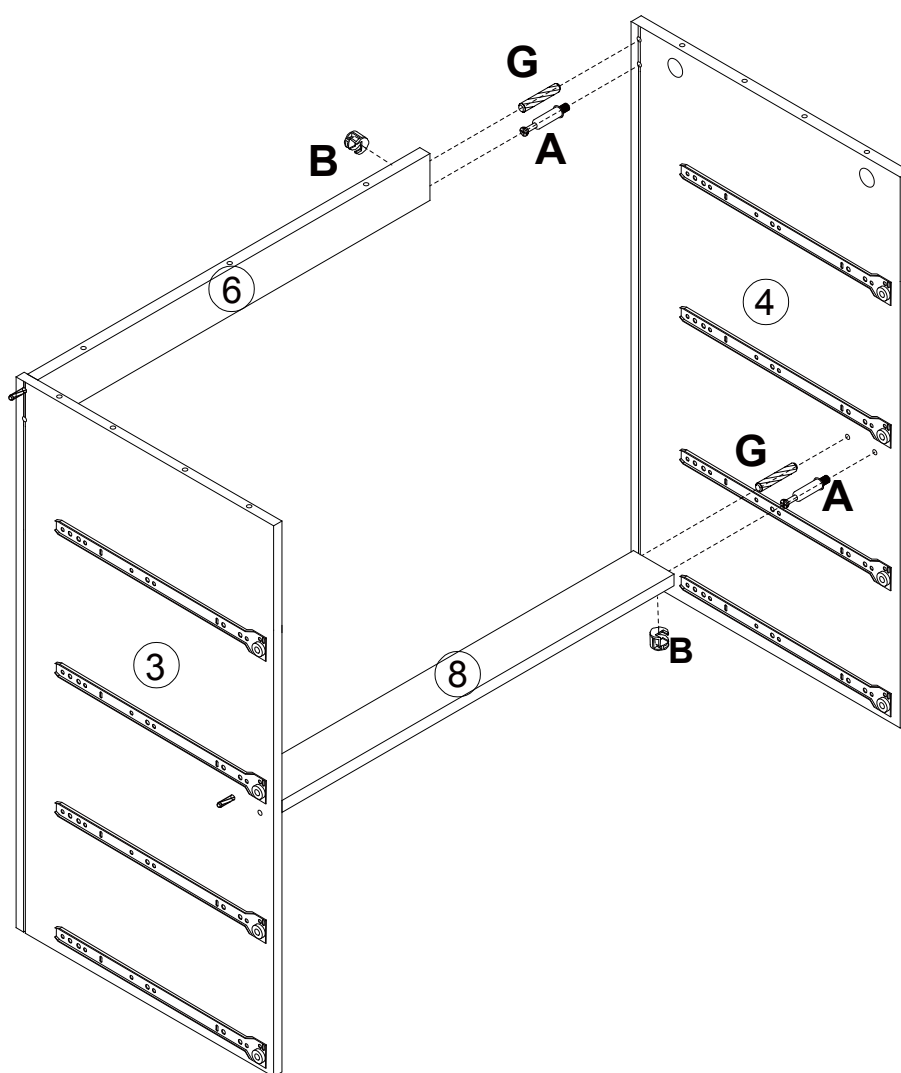


Step 3

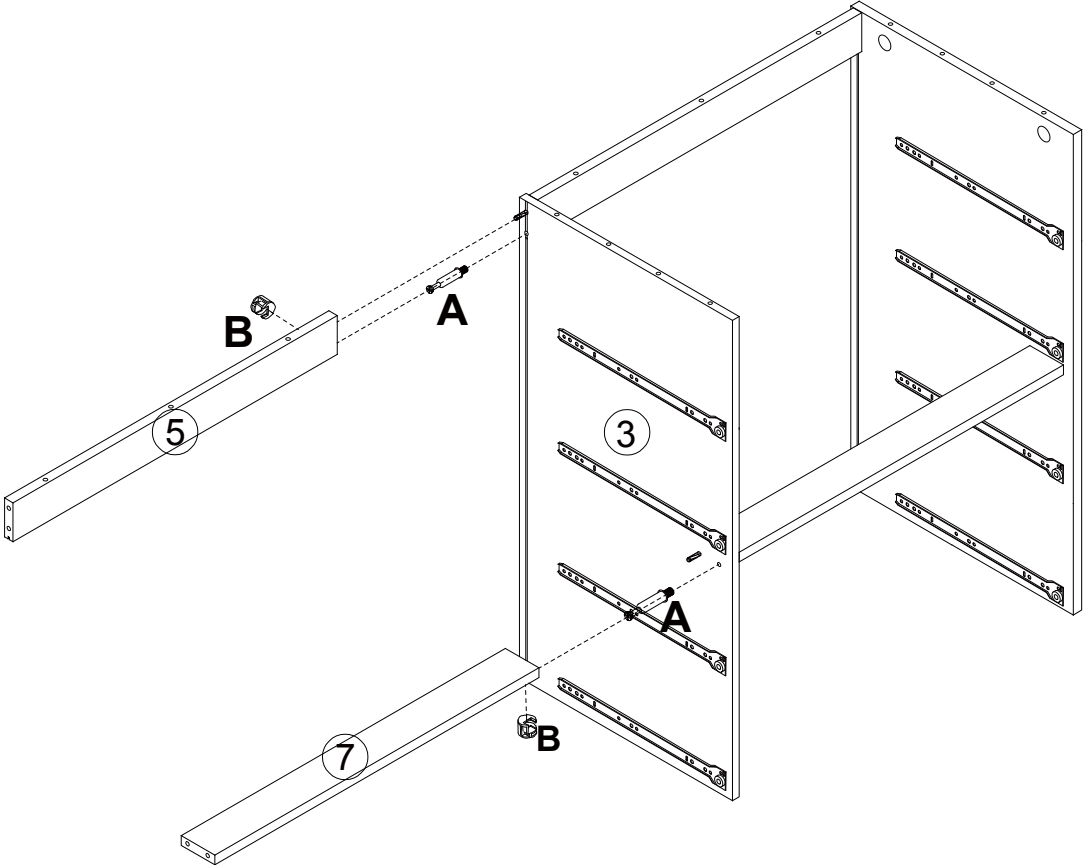
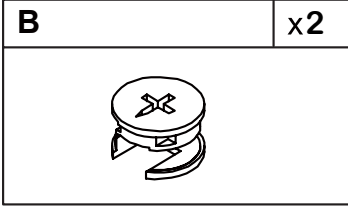
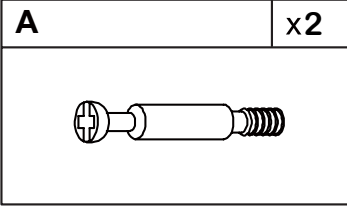


Step 4

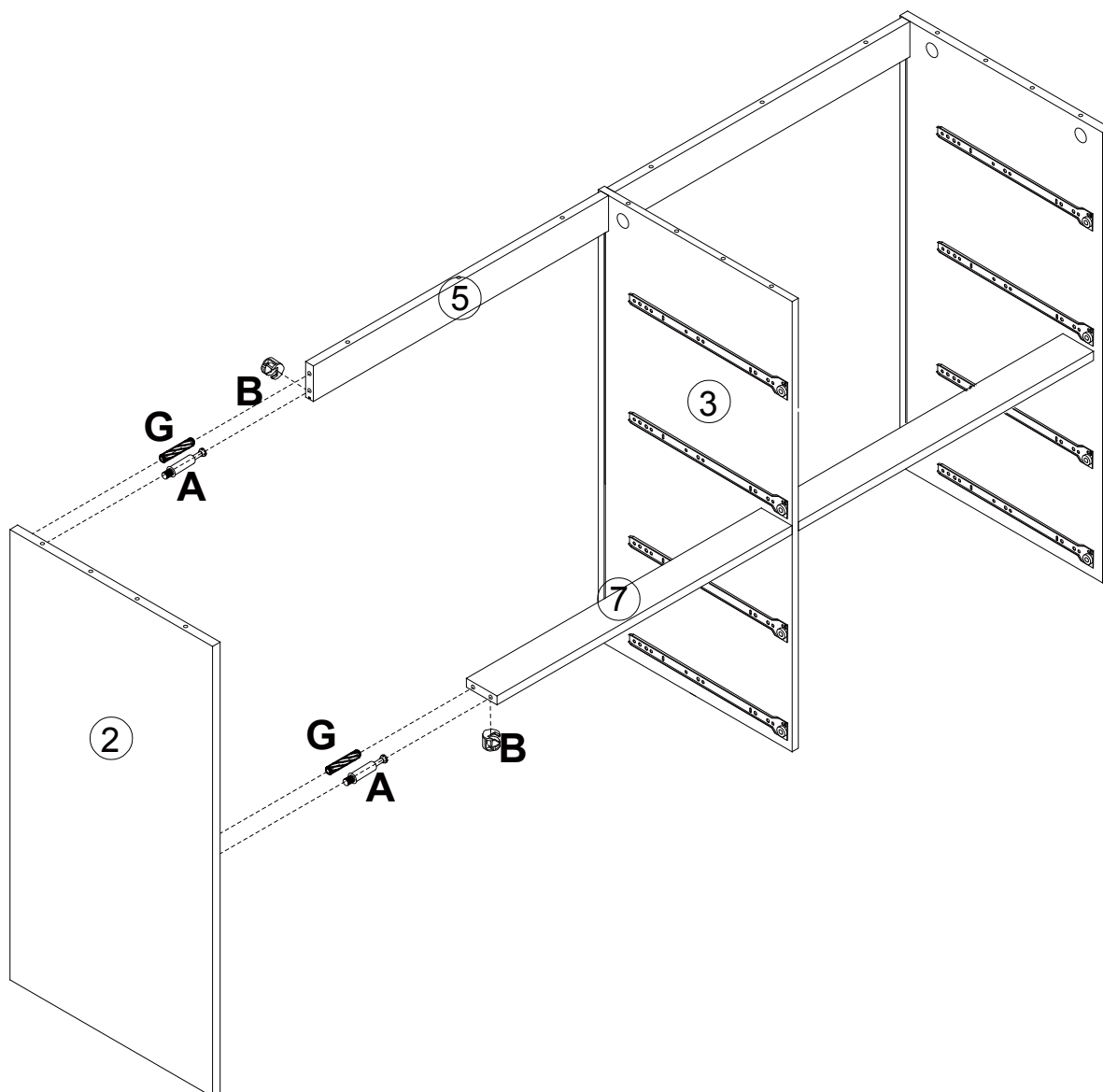
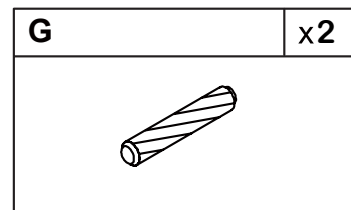
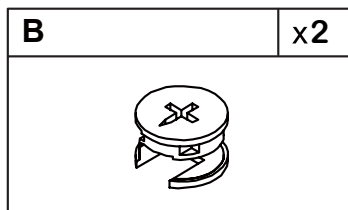
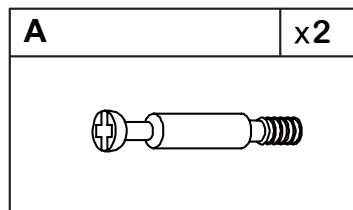
A	x2	B	x2
			



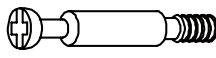

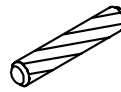
Step 5

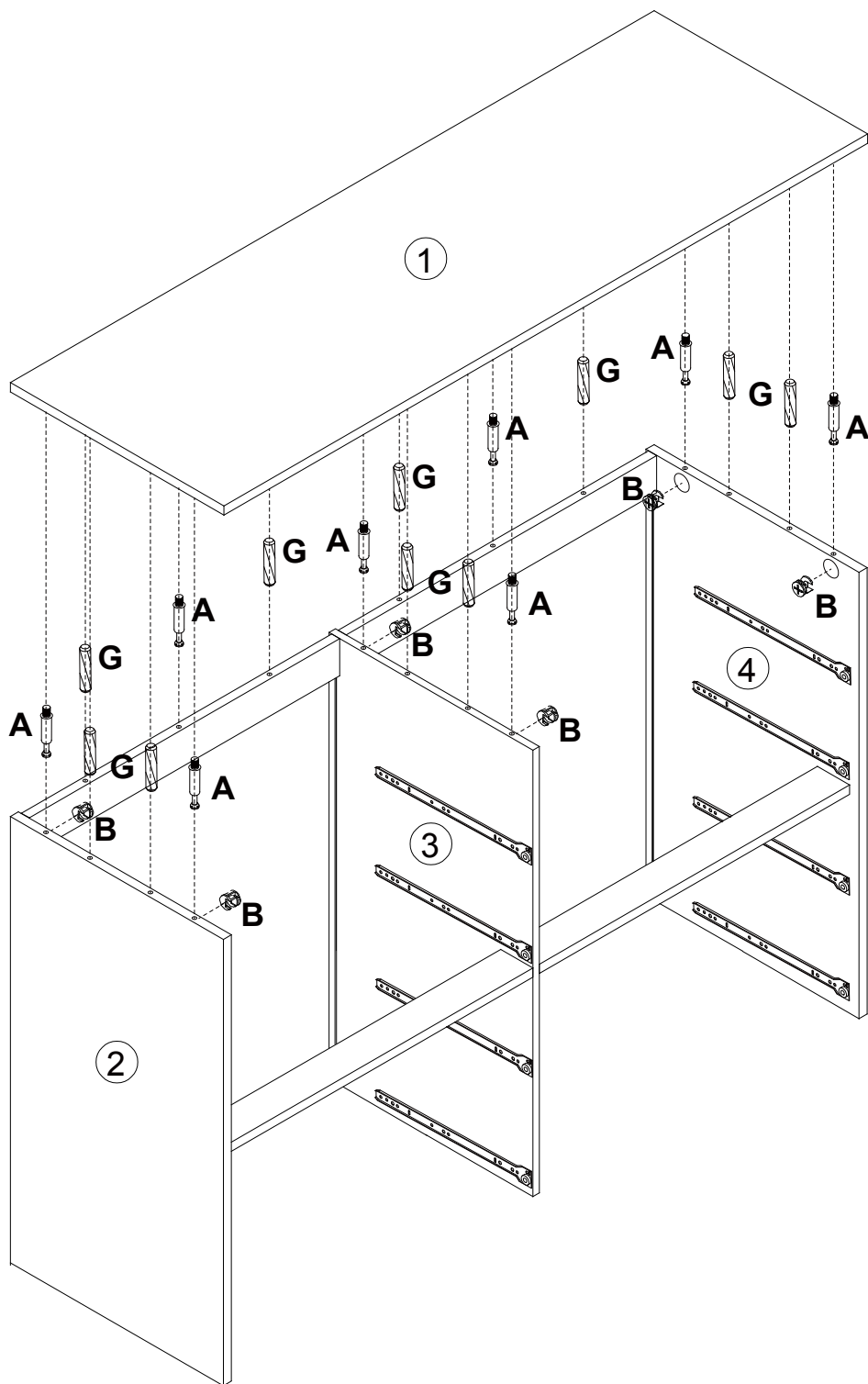


Step 6

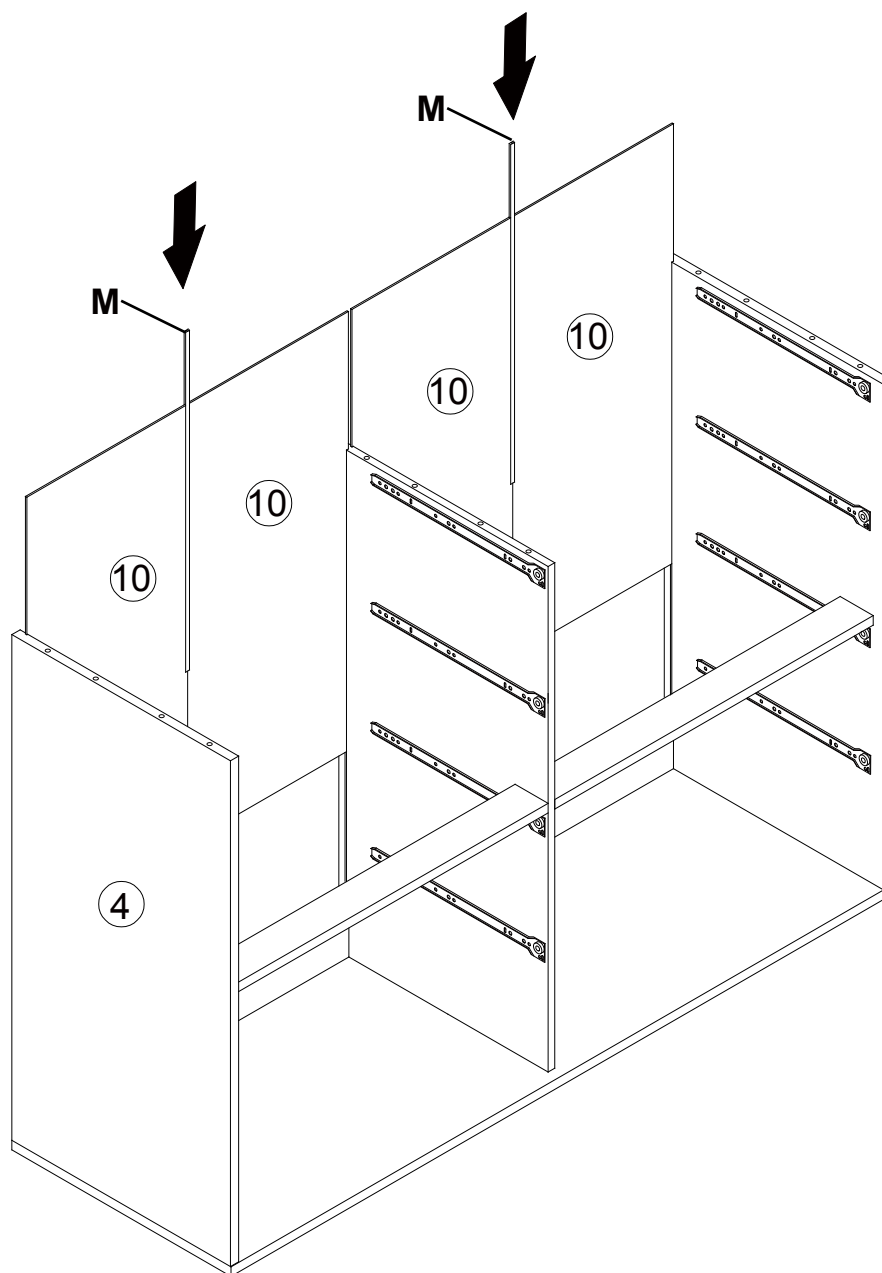
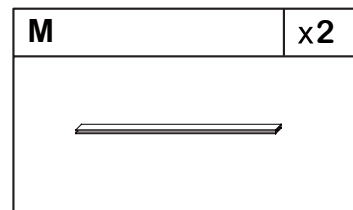


Step 7

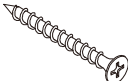

A	x8	B	x8	G	x10
					

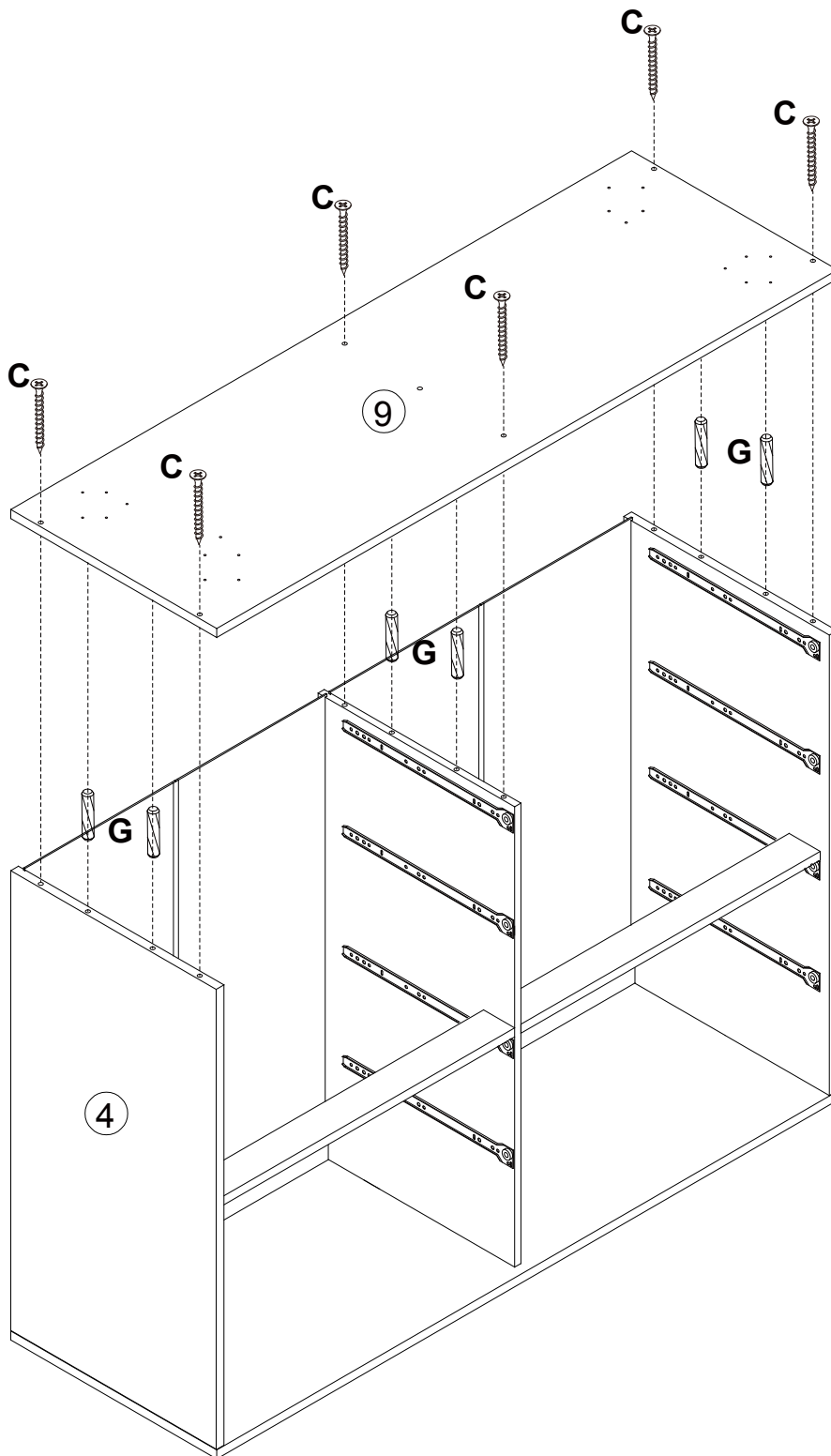


Step 8

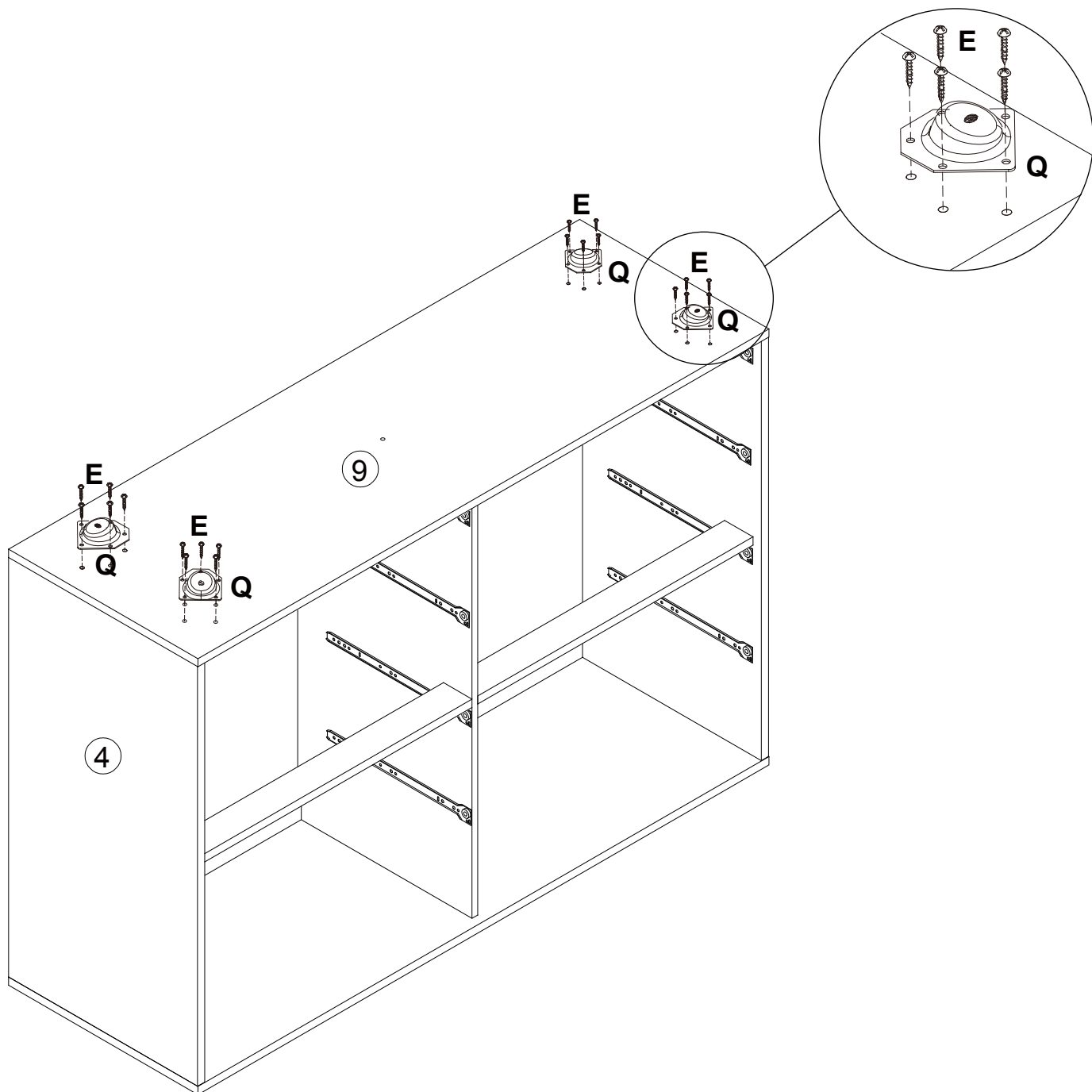
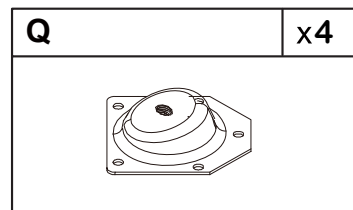


Step 9

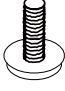
C	x6	G	x6
			

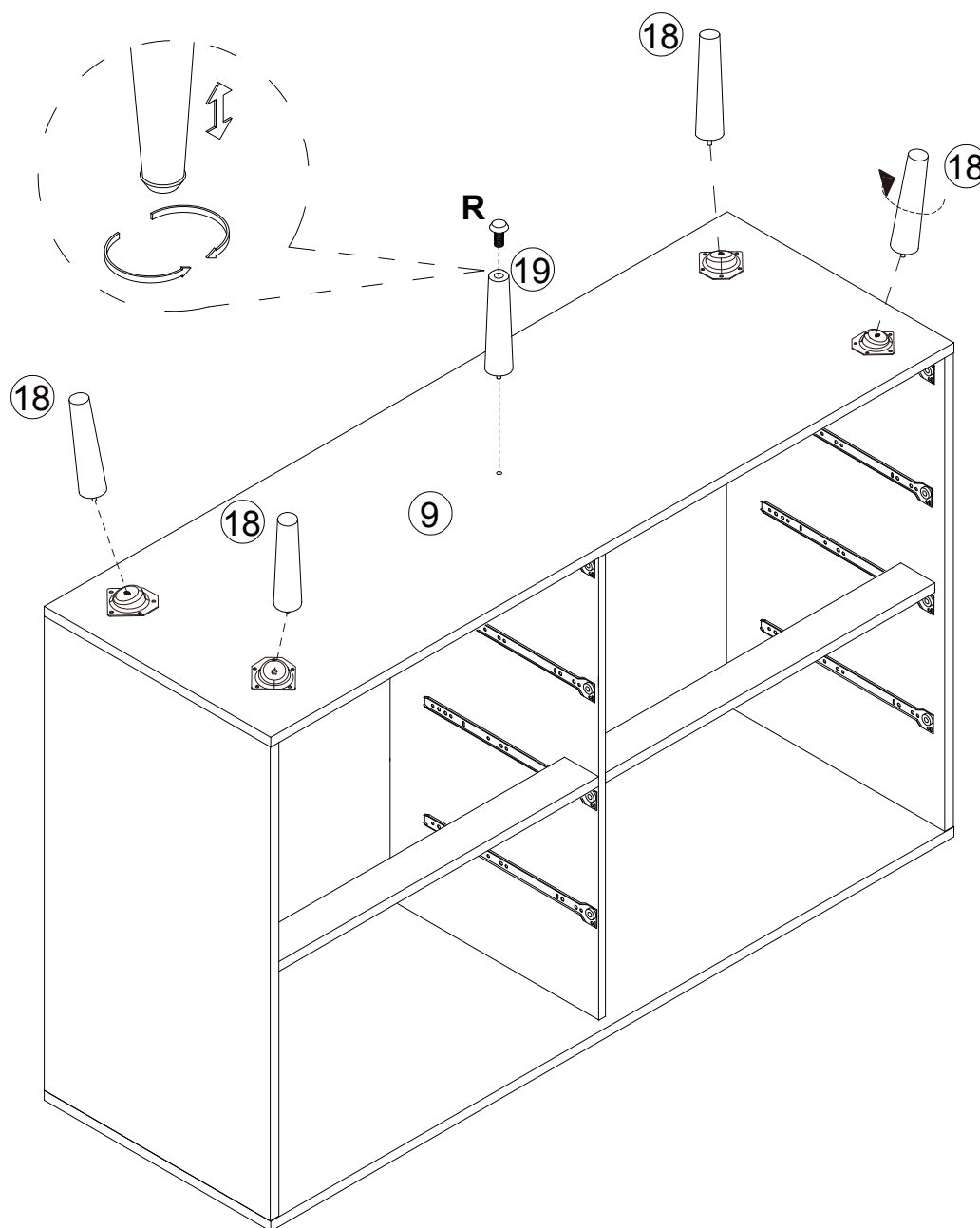


Step 10

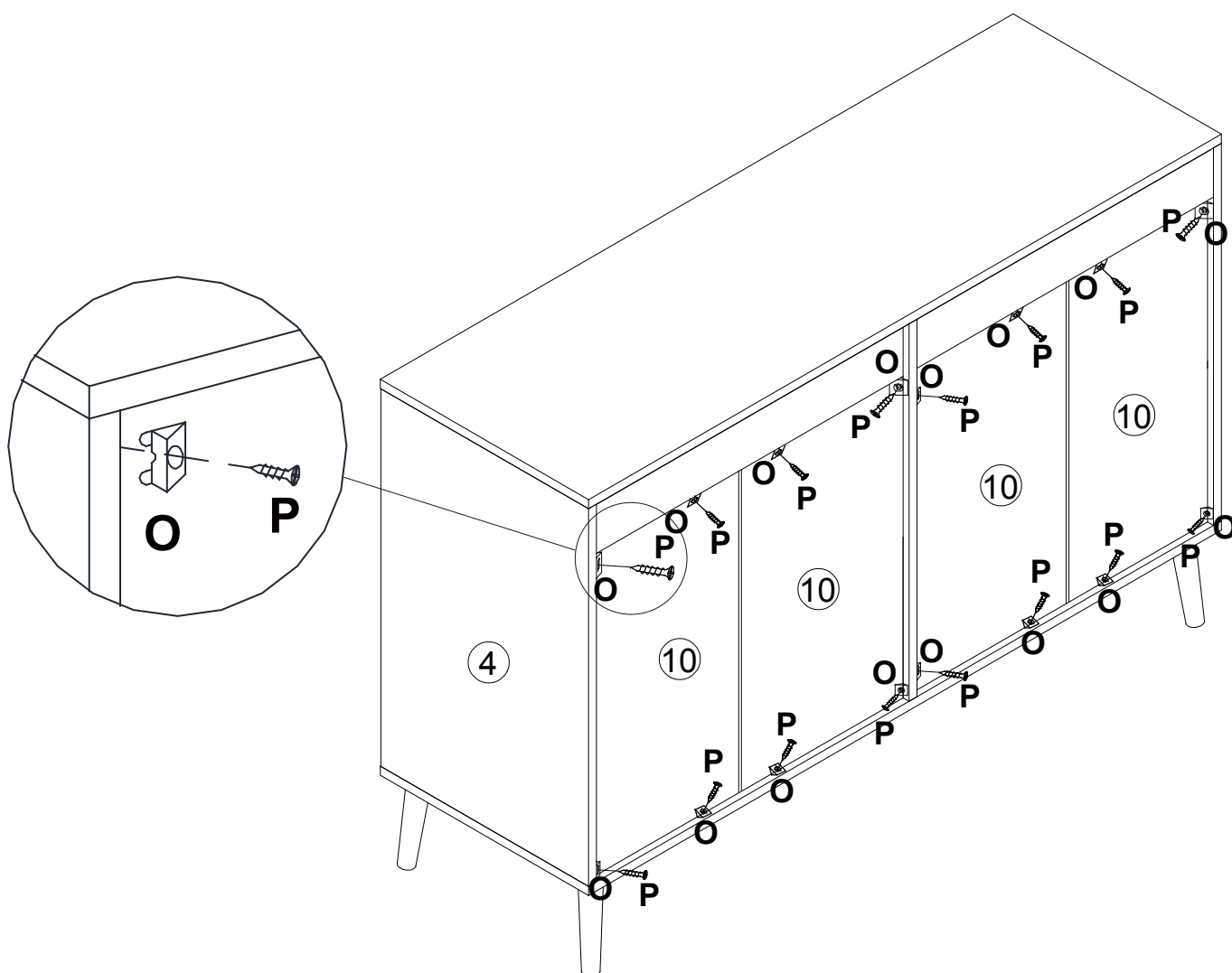
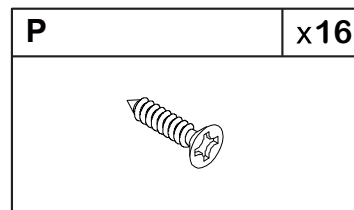
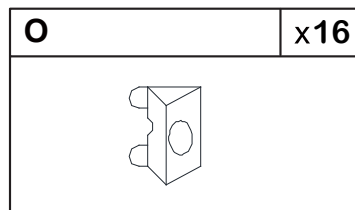


Step 11

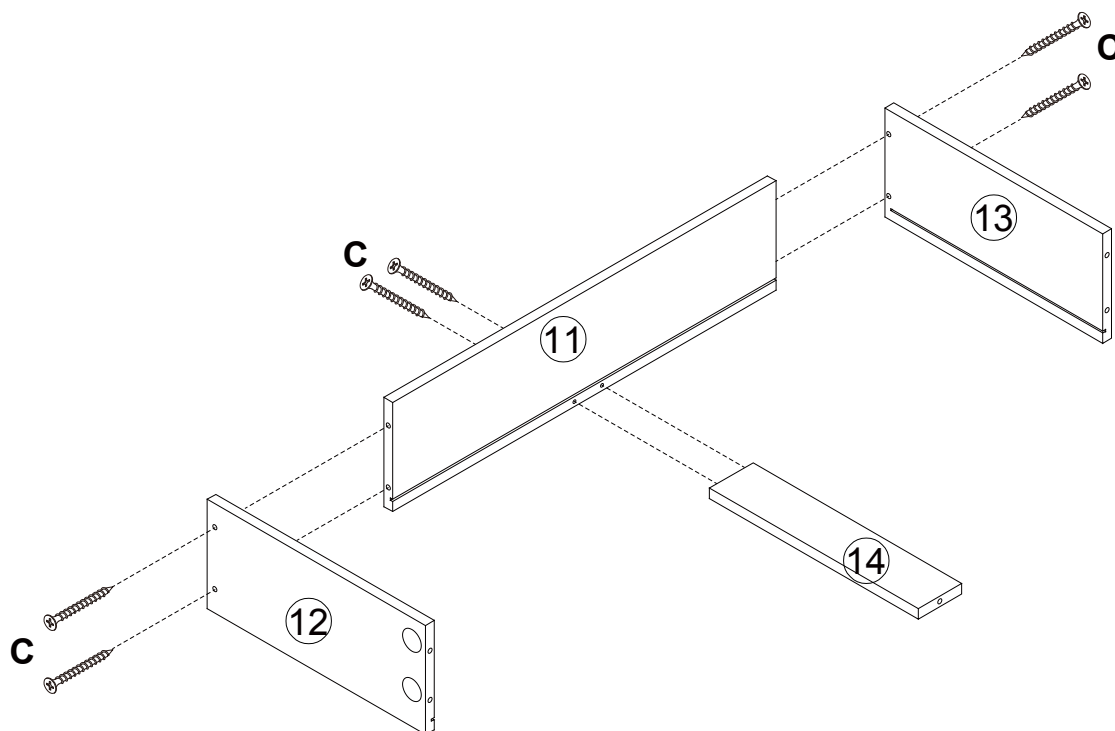
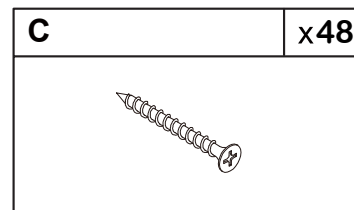
R	x1
	



Step 12

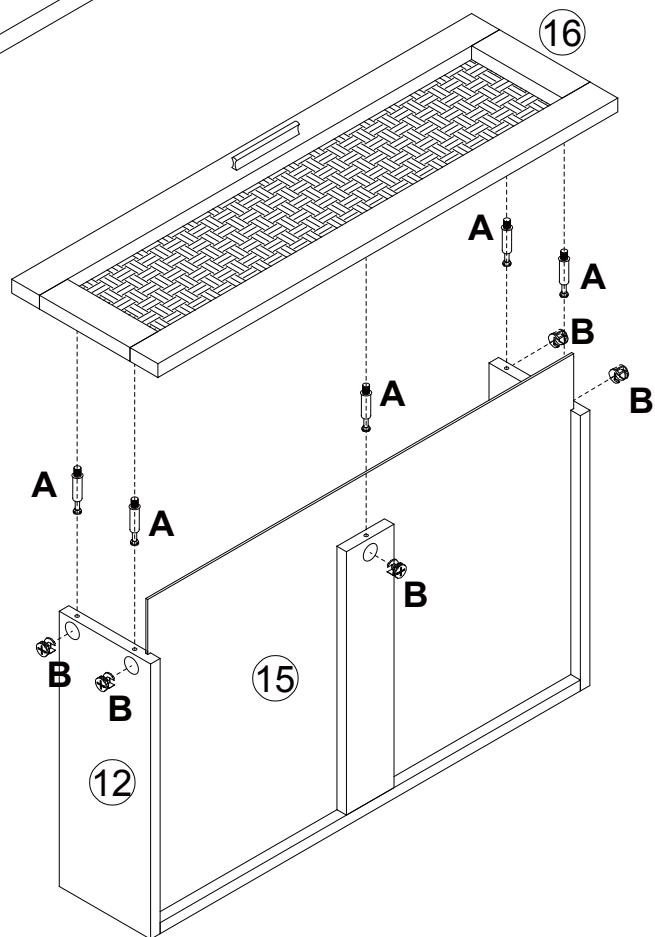
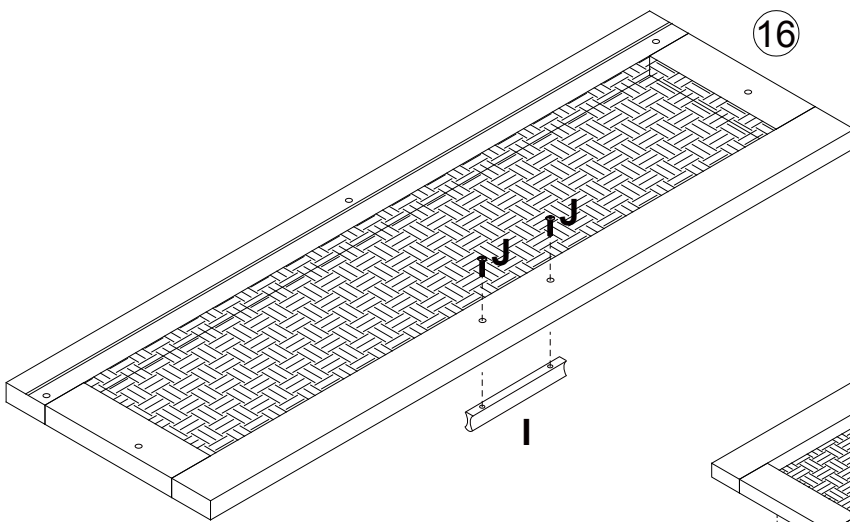
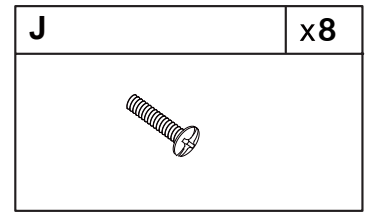
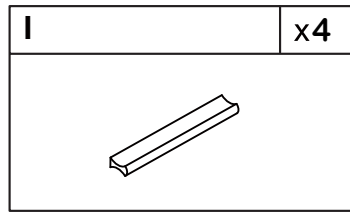
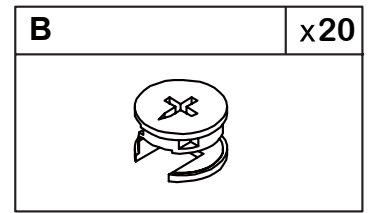
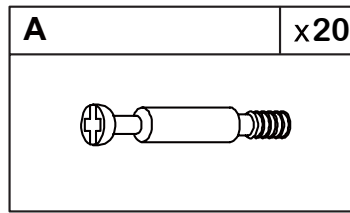


Step 13



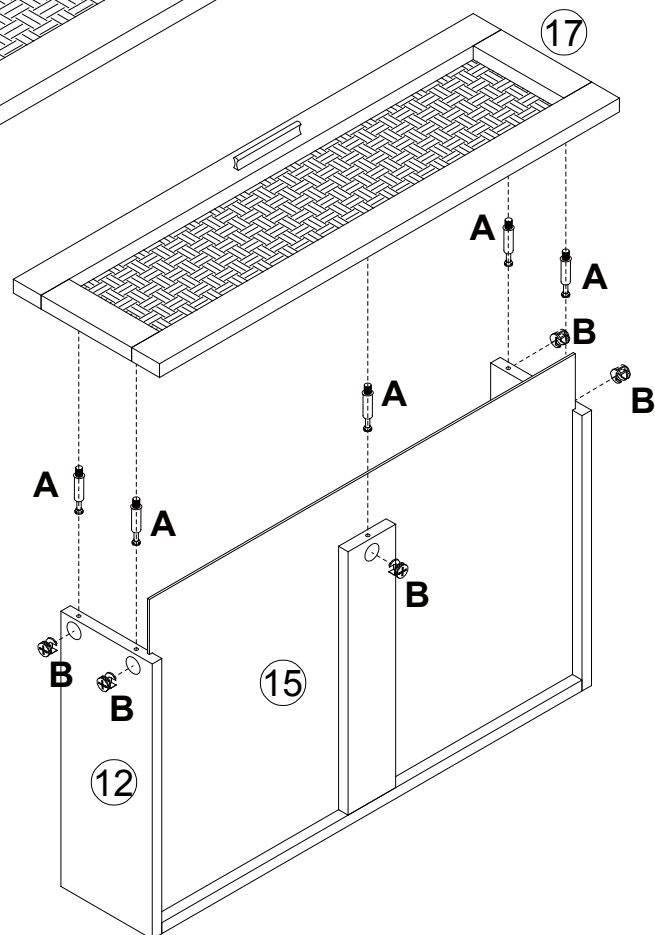
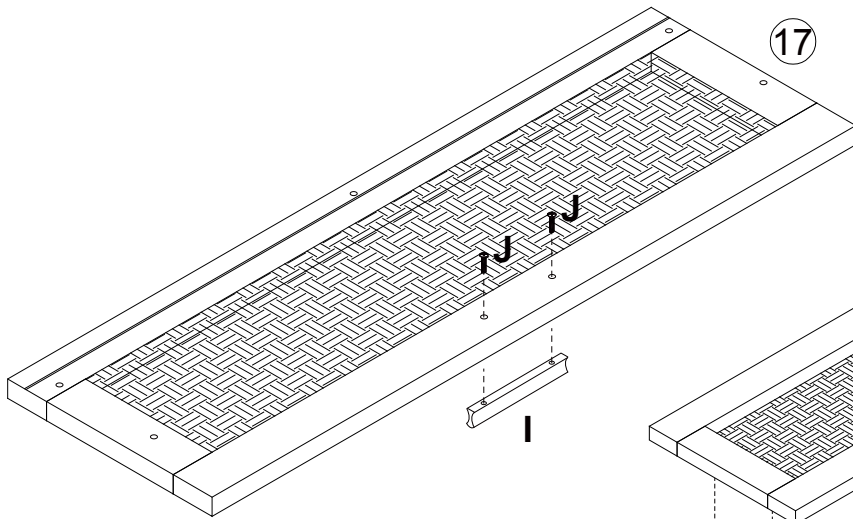
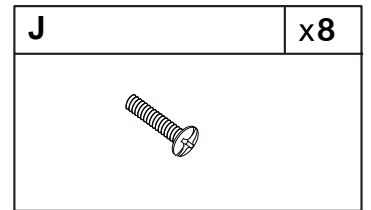
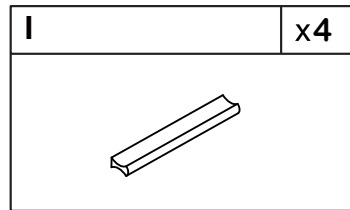
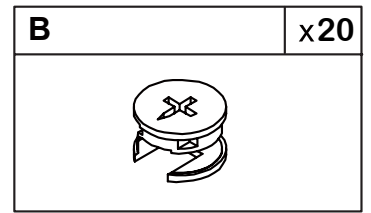
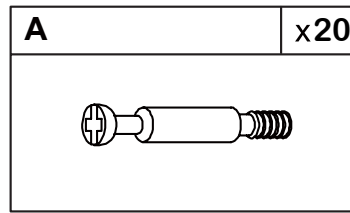
x8

Step 14



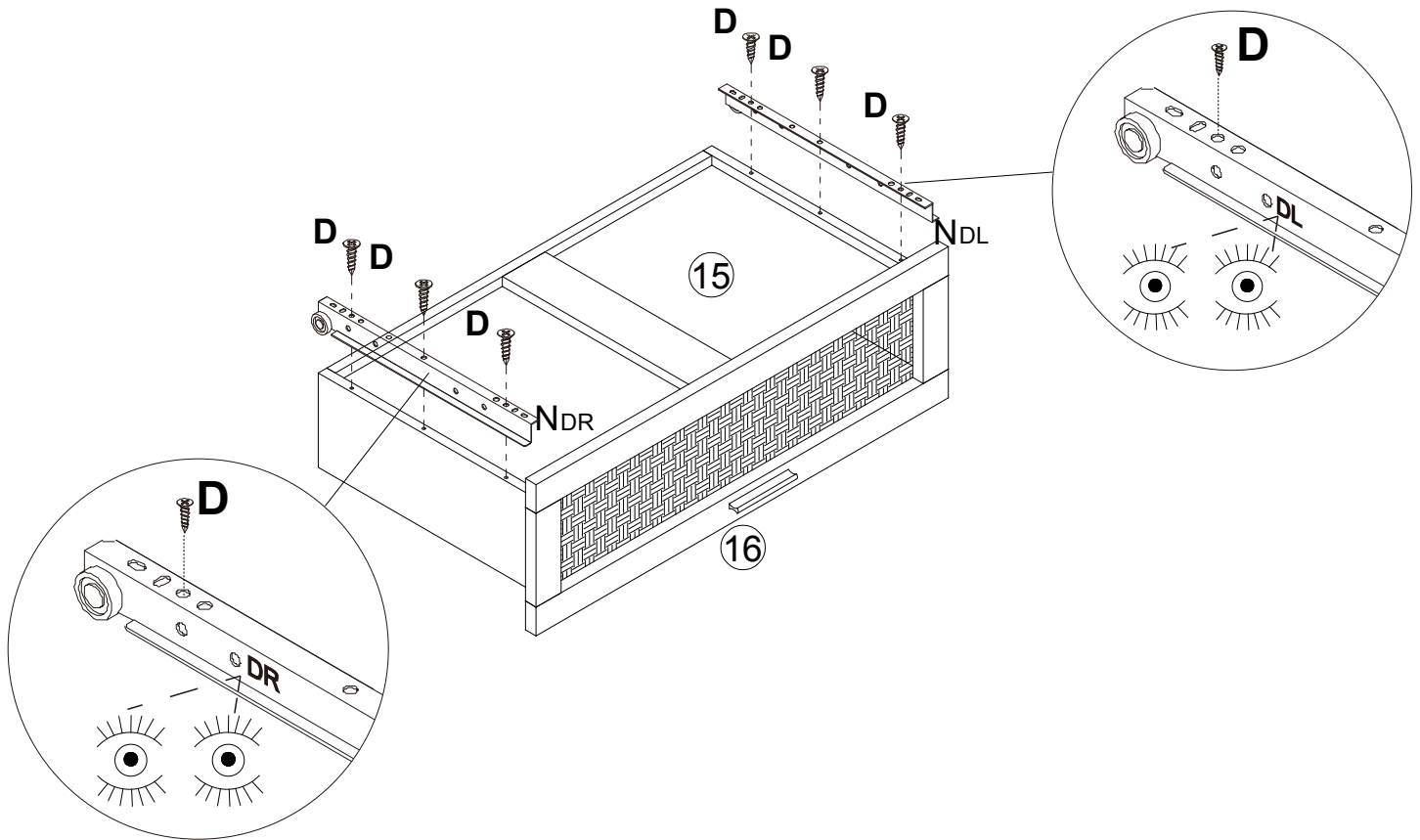
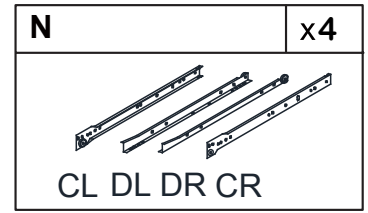
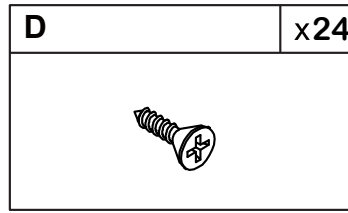
x4

Step 15



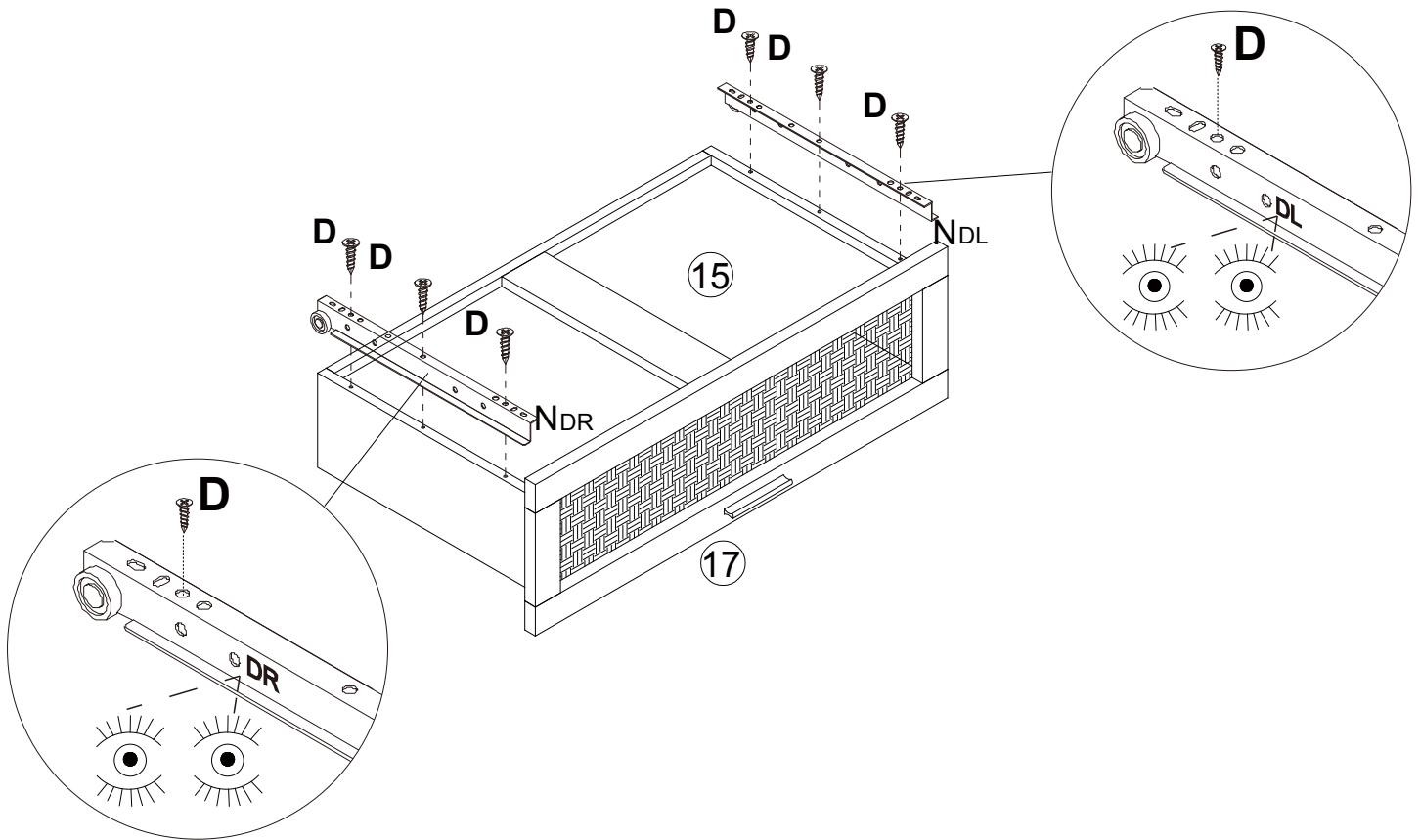
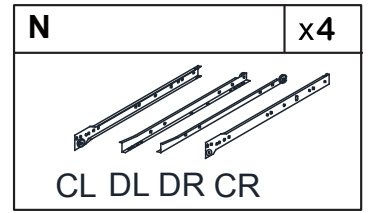
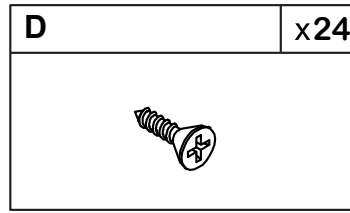
x4

Step 16



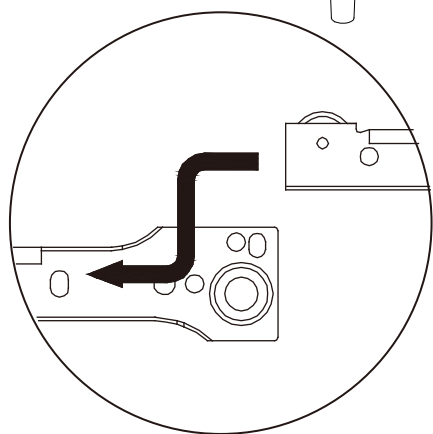
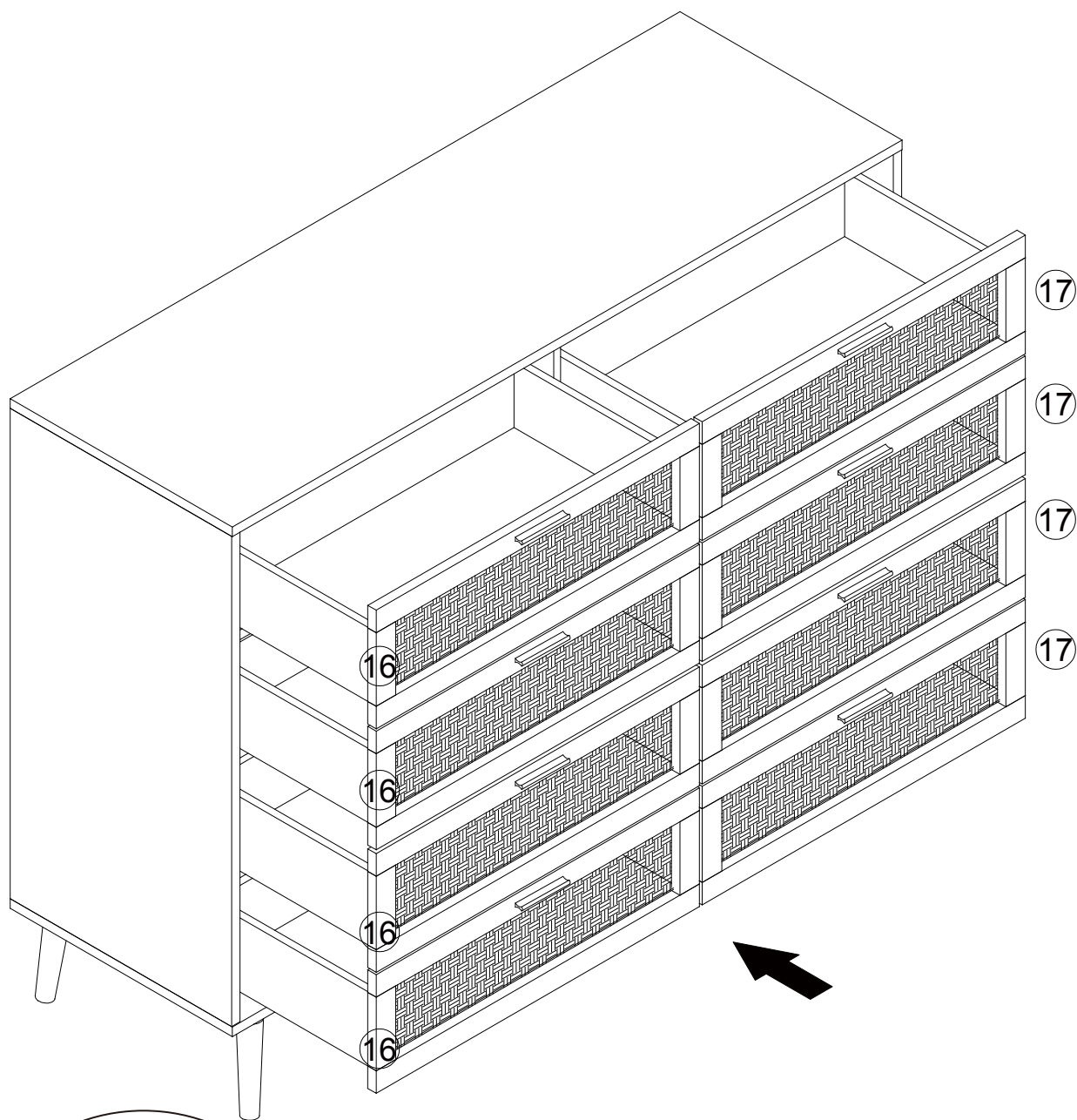
x4

Step 17

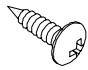



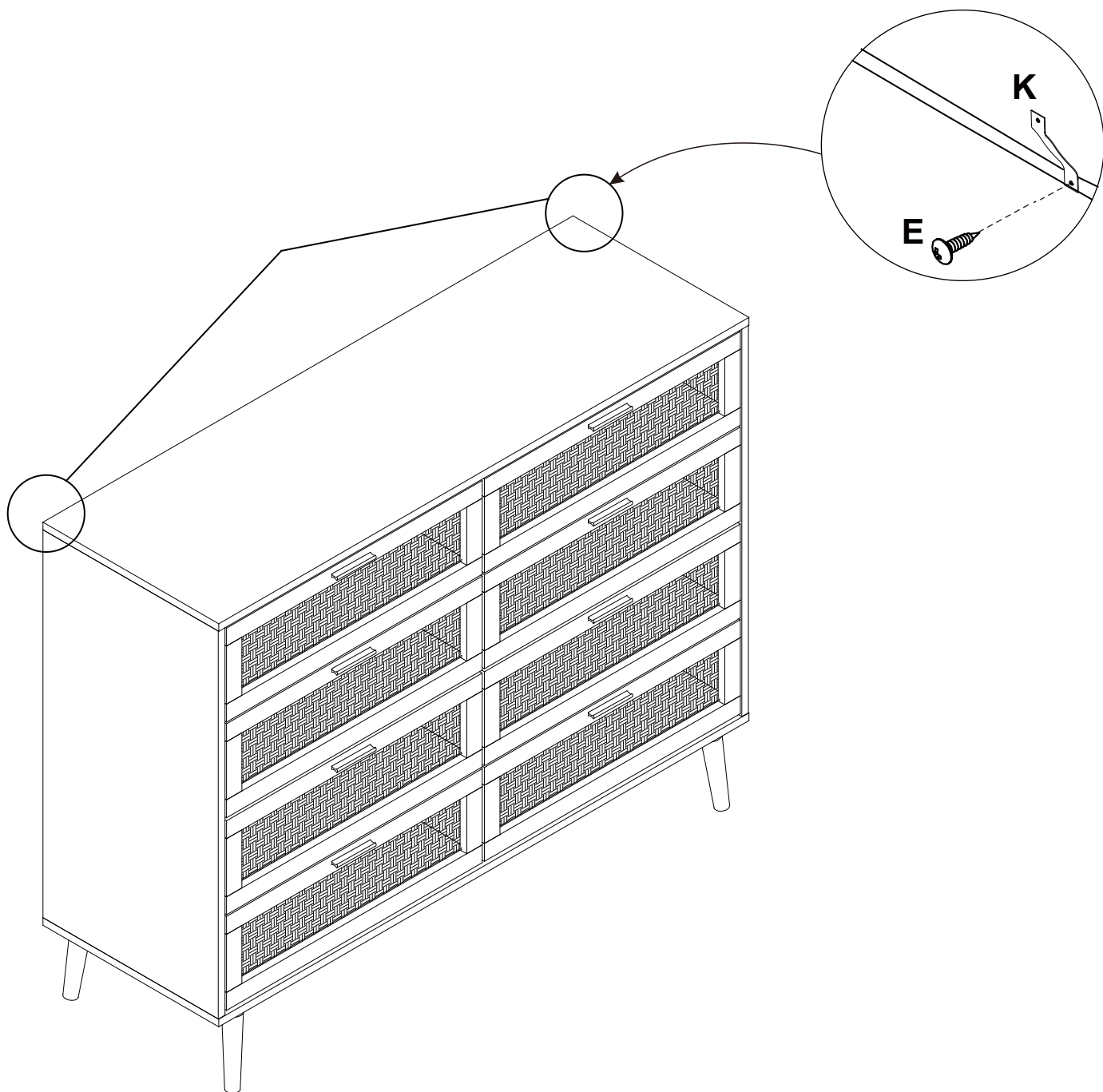
x4

Step 18

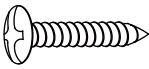



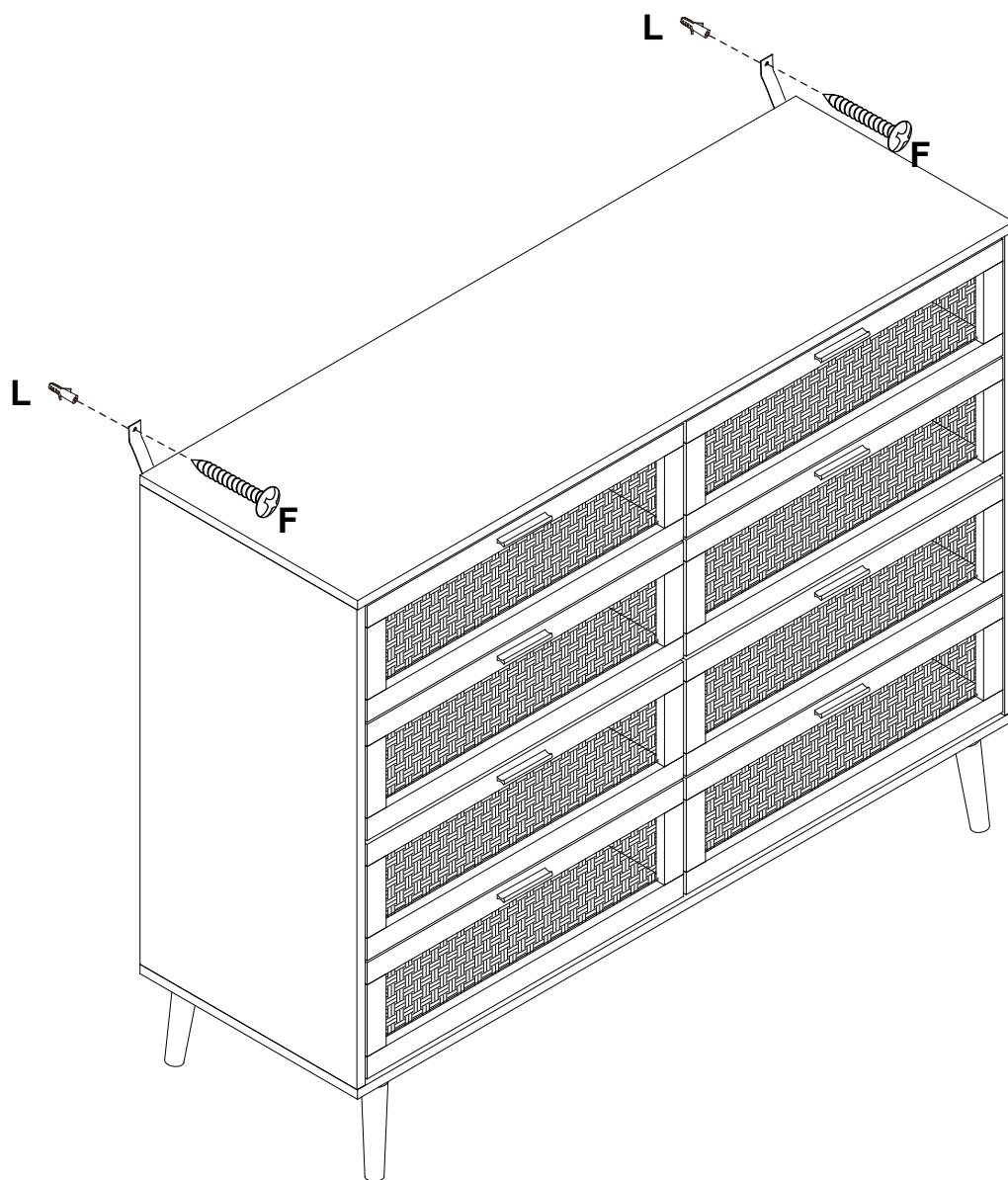
Step 19

E	x2	K	x2
			



Step 20

F	x2	L	x2
			



Step 21

