

INSTRUCTION MANUAL



Stretching Table

NOTICE

Please retain these instructions for future reference.

Please do not exceed the weight limitations of this item.

Do not stand on or use any part of this item as a step ladder.

Firmly secure all bolts, screws and knobs before use.

Reconfirm that all bolts, screws, and knobs are secure every 90 days.

Fasten screws loosely during initial assembly. Do not firmly tighten the screws until the item is completely assembled.

Be aware that some parts are heavy and have sharp edges.

If any parts are missing, broken, damaged, or worn, stop using this product until repairs are made and/or factory replacement parts are installed.

Do not use this item in a way inconsistent with the manufacturer's instructions as this could void the product warranty.

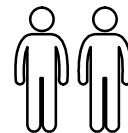
TOOLS REQUIRED



ALLEN WRENCH
(PROVIDED)



300 LBS
PER SEAT

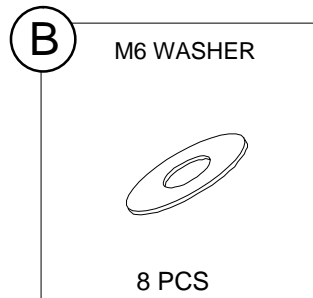
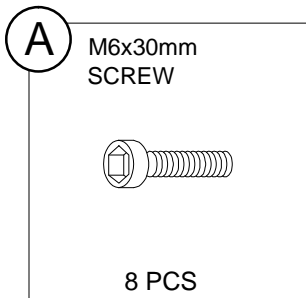


2 PERSON
ASSEMBLY

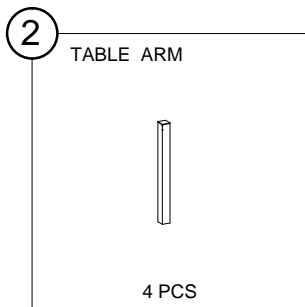
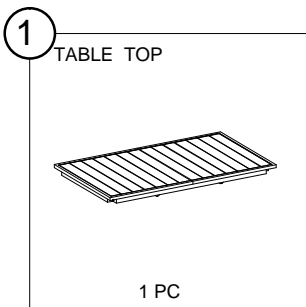


APPROXIMATELY
15 MIN.
ASSEMBLY

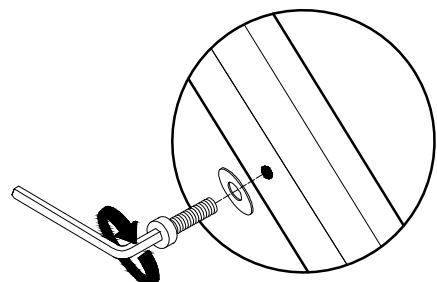
HARDWARE



PARTS



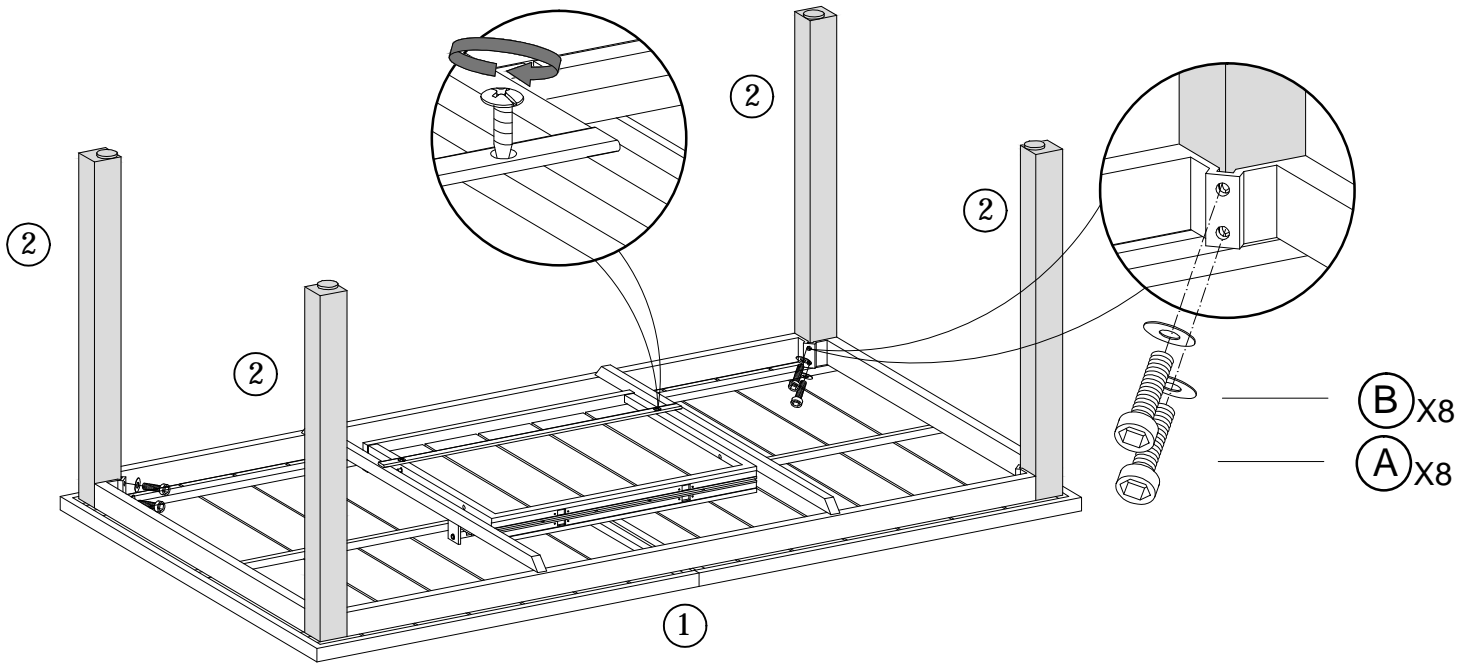
Use tools to attach hardware in the following way:



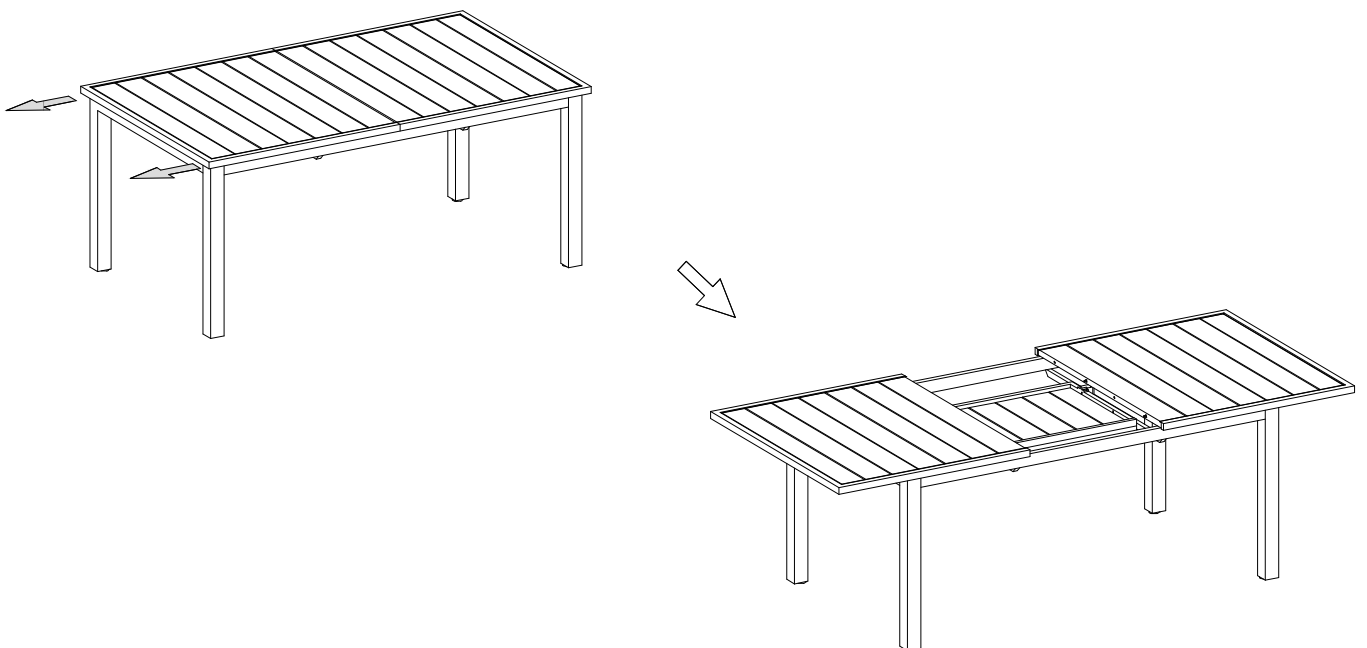
PRODUCT ASSEMBLY - TABLE

1

Unscrew the two screws



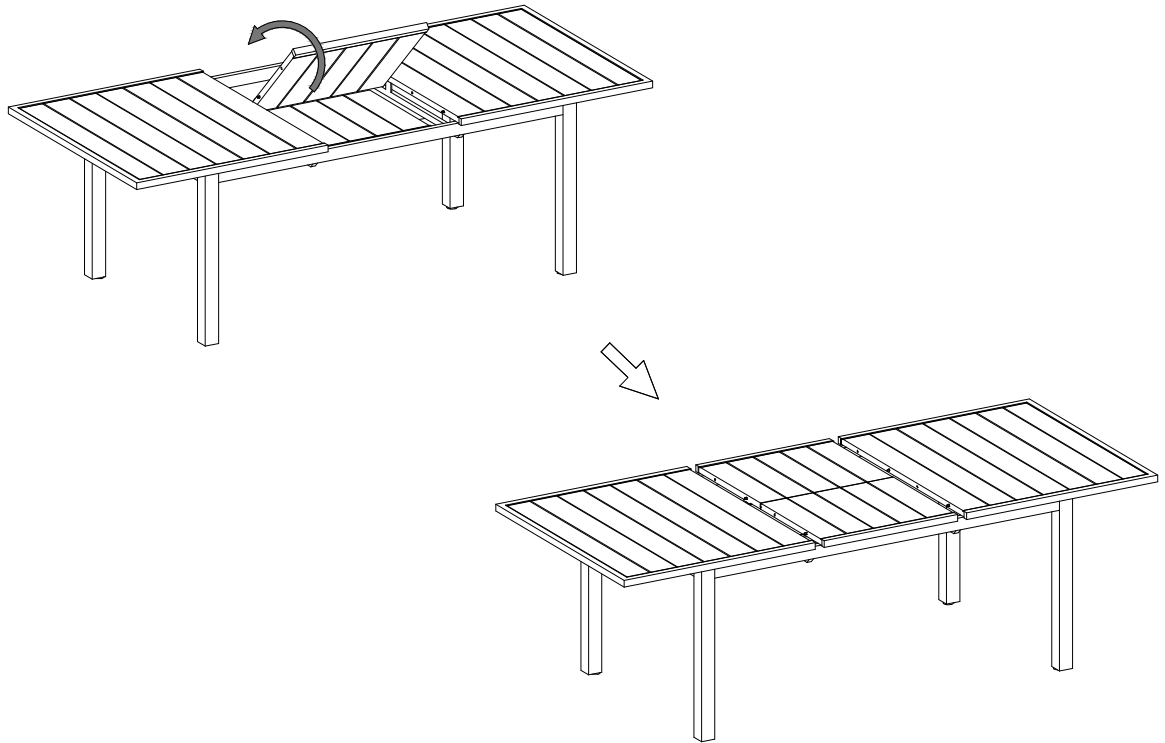
2



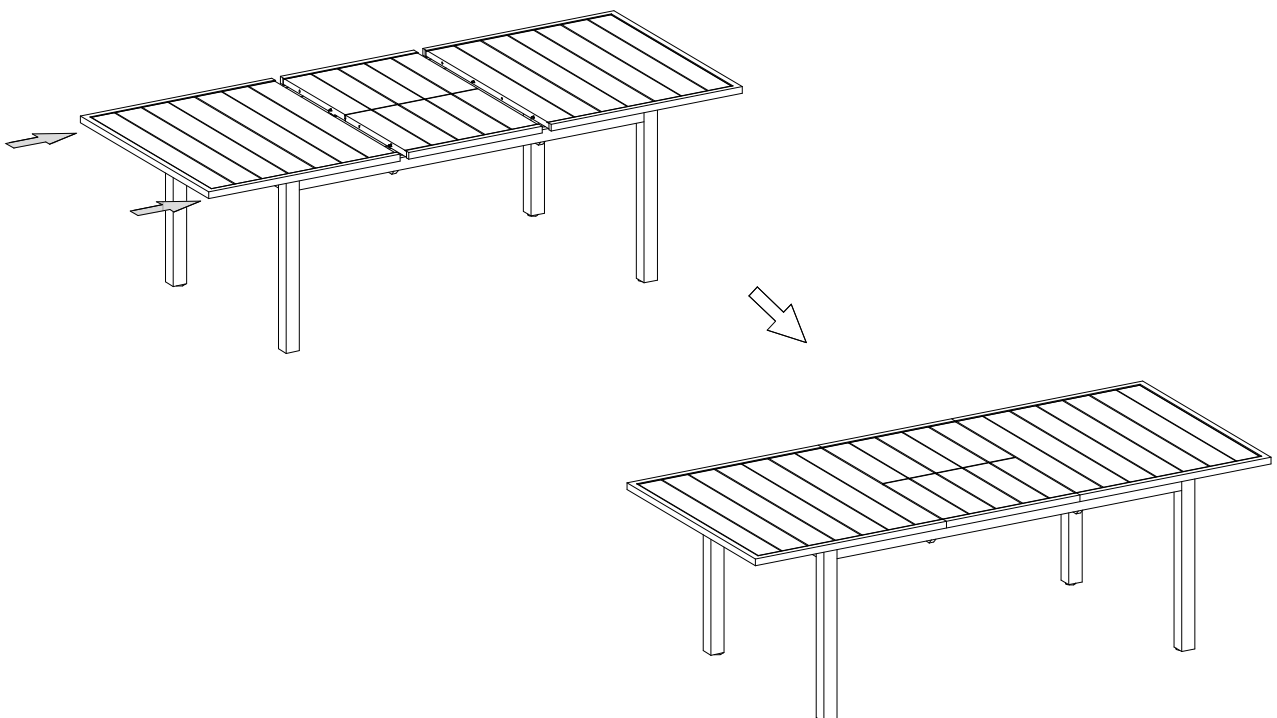
3

PRODUCT ASSEMBLY - TABLE

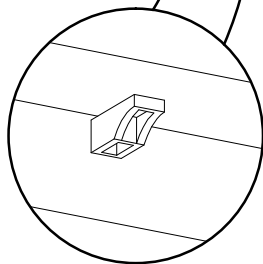
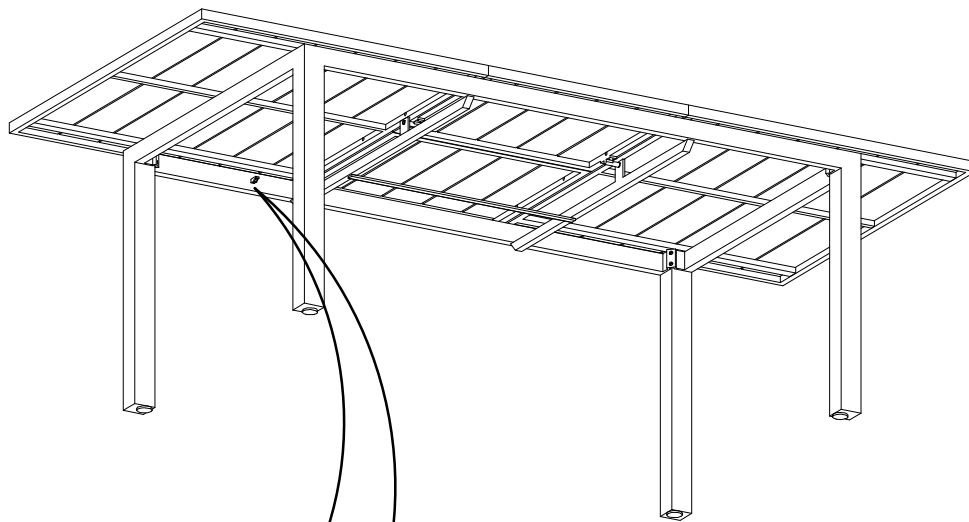
3



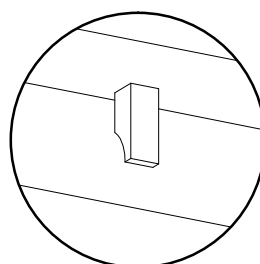
4



5



Open



Close