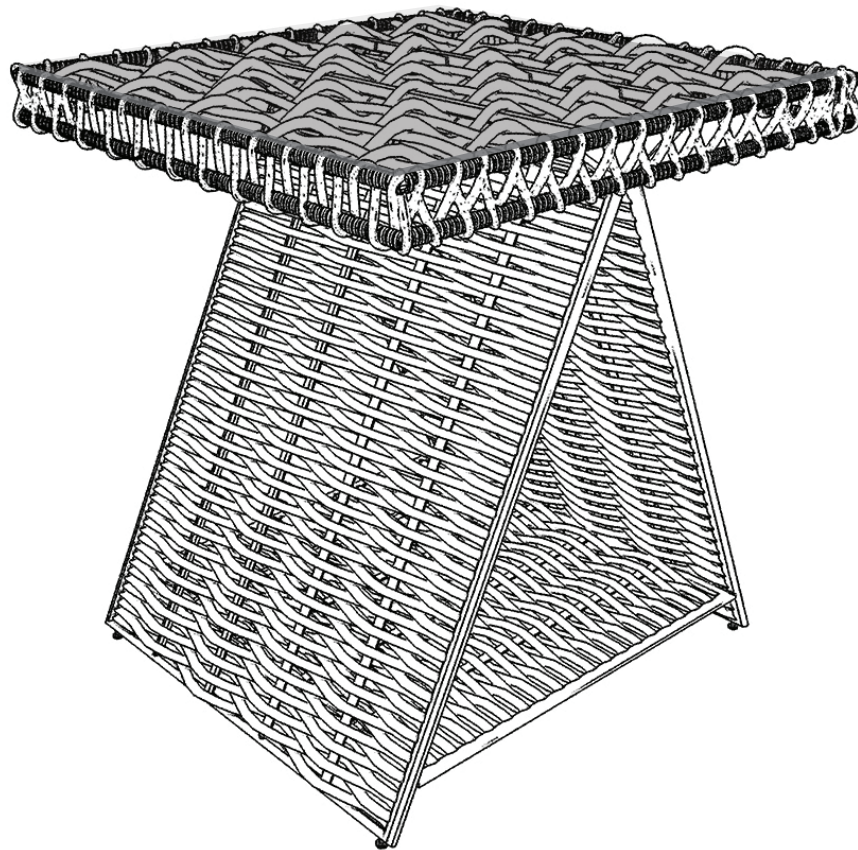


ASSEMBLY INSTRUCTION



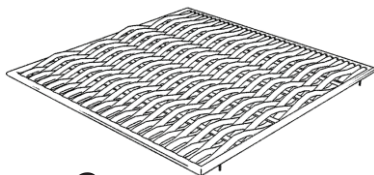
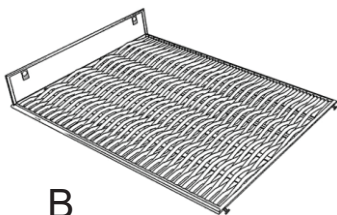
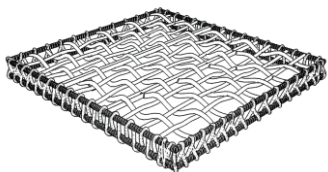
1x

2x

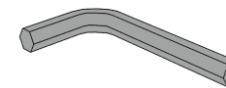
1x

1x

4x



1x



A

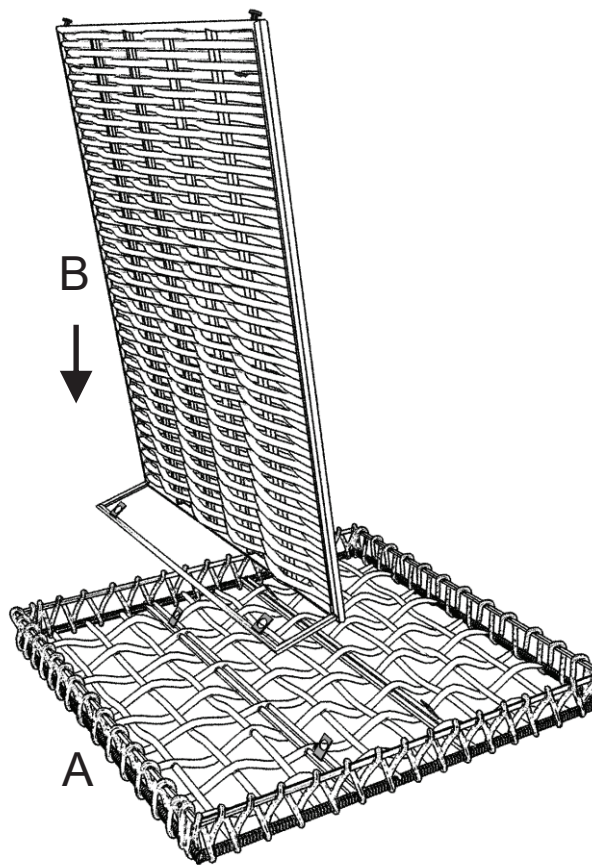
B

C

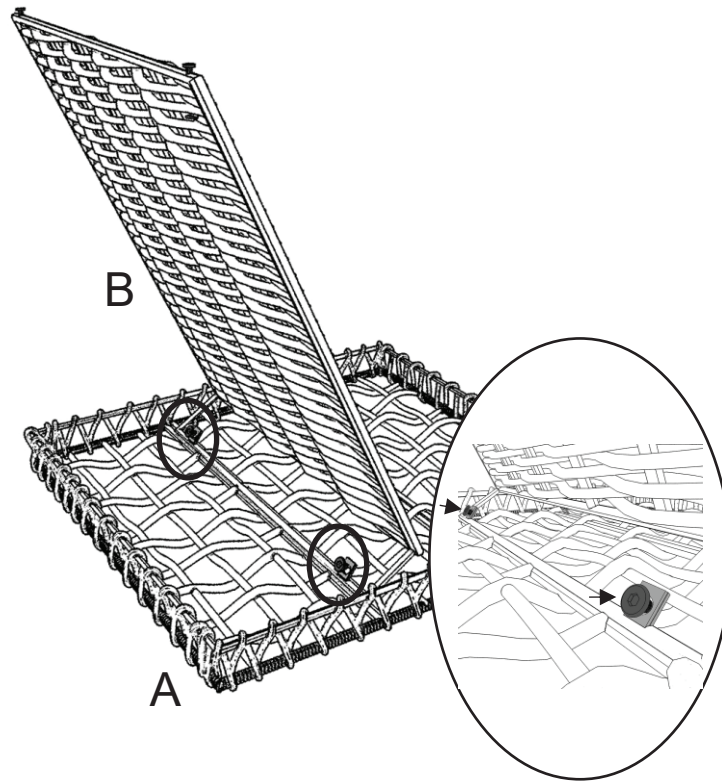
D

ASSEMBLY INSTRUCTION

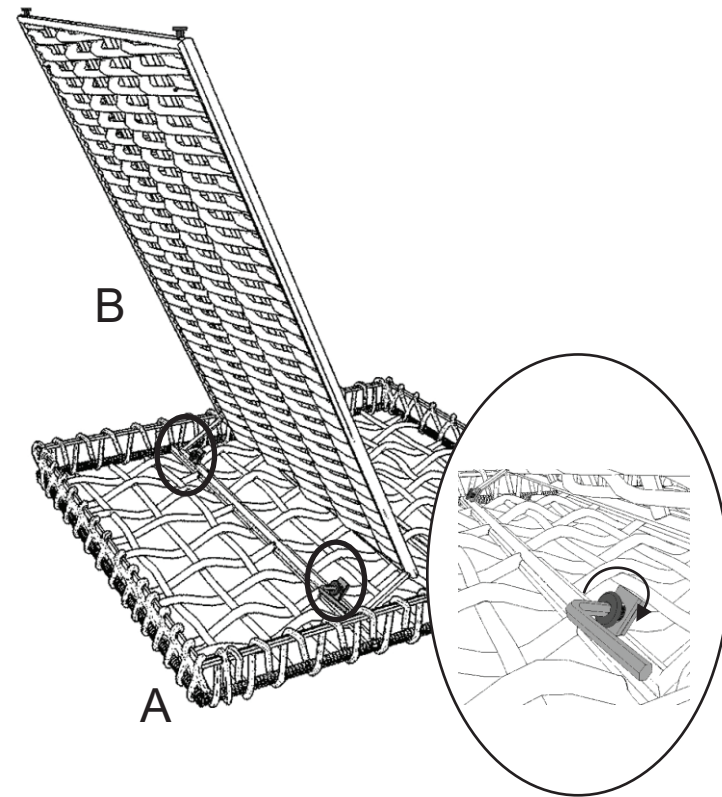
Step 1:



①



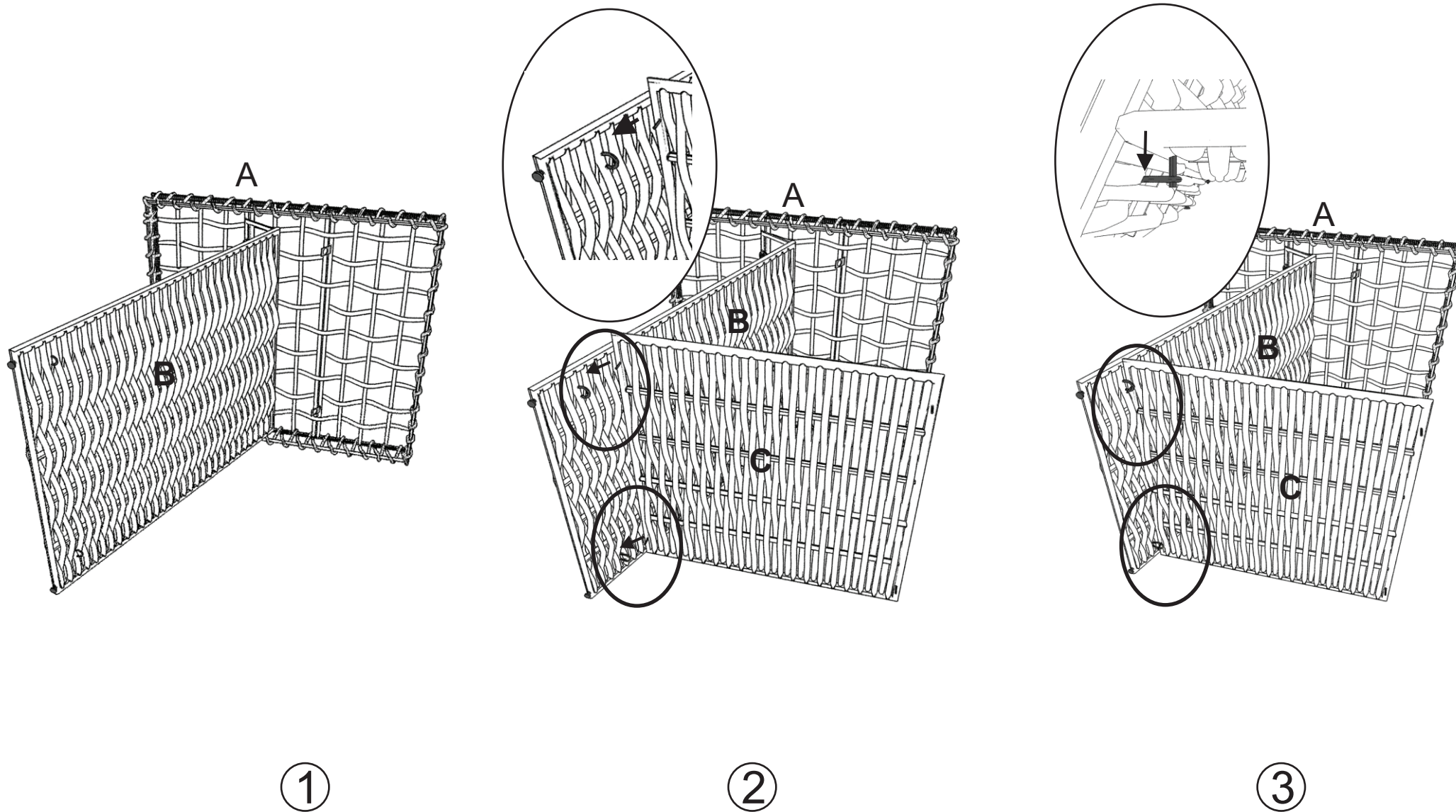
②



③

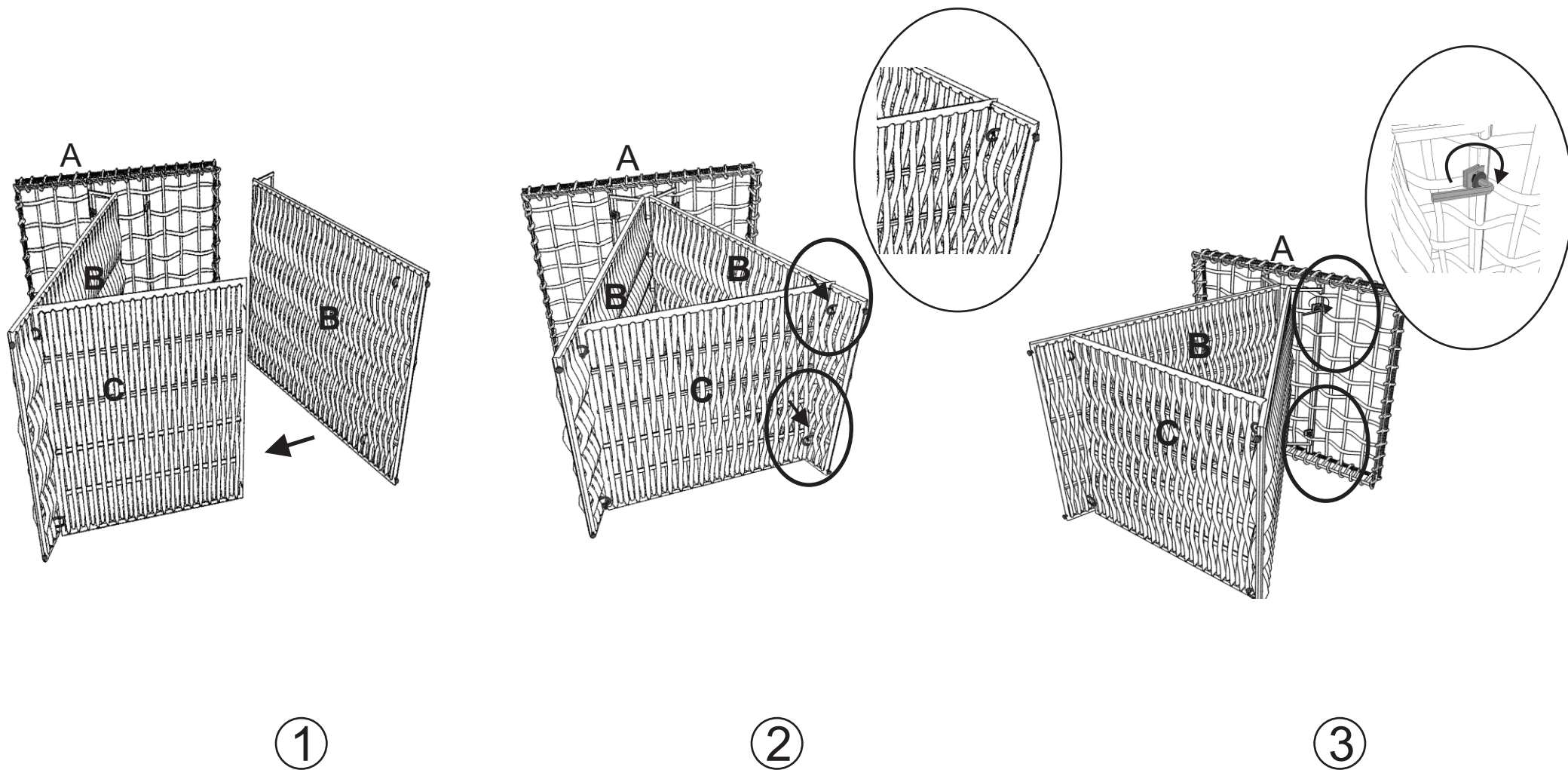
ASSEMBLY INSTRUCTION

Step 2:



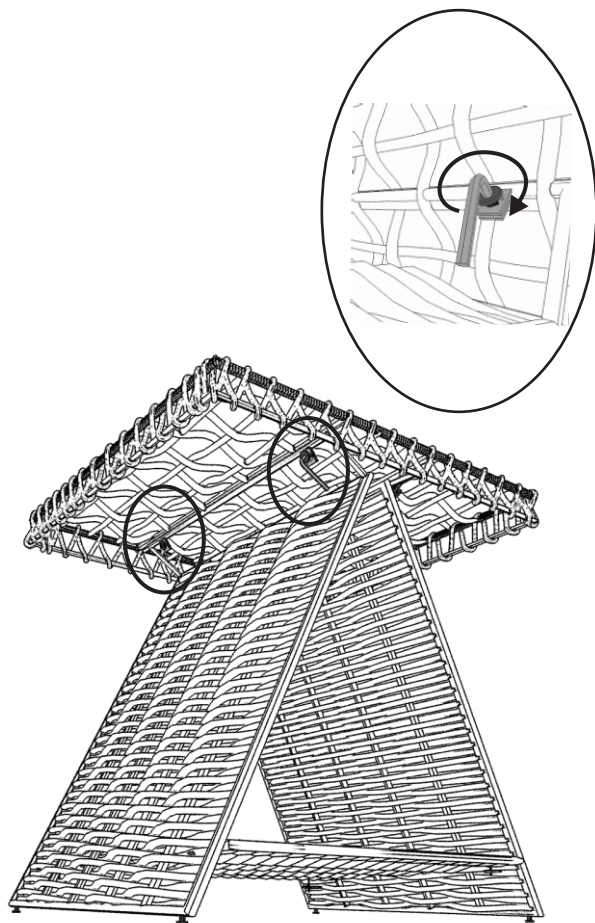
ASSEMBLY INSTRUCTION

Step 3:

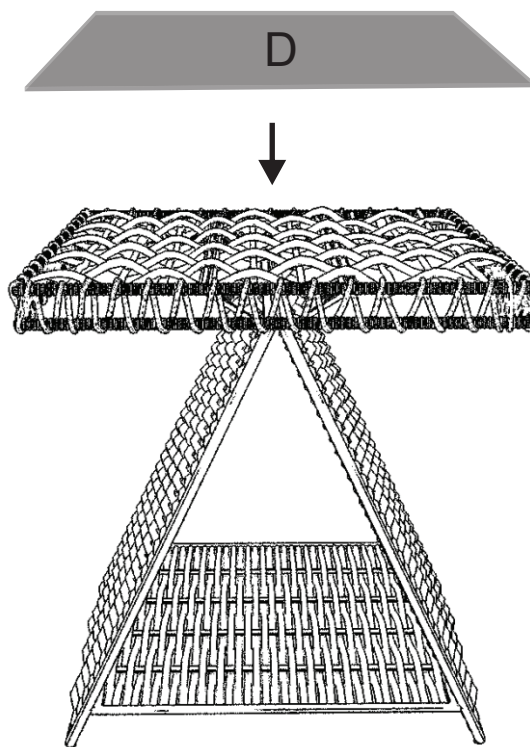


ASSEMBLY INSTRUCTION

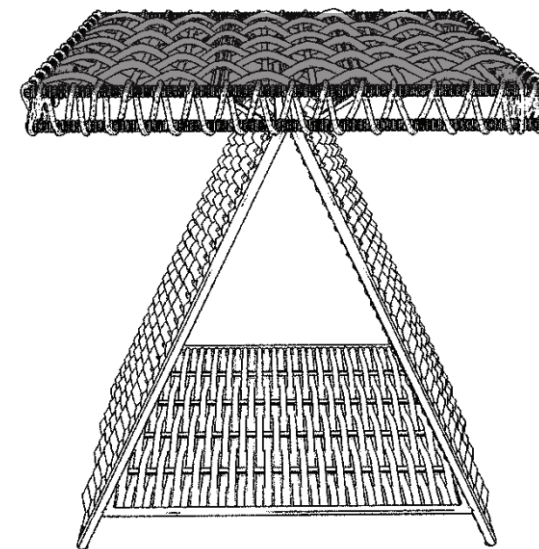
Step 4:



①



②



③